



US00D480934S

(12) **United States Design Patent**  
**Hernandez**

(10) **Patent No.:** **US D480,934 S**

(45) **Date of Patent:** **\*\* Oct. 21, 2003**

(54) **BIG BOTTLE OPENER**

4,967,436 A \* 11/1990 Russell ..... 7/156  
D382,453 S \* 8/1997 Drinkwater ..... D8/40

(75) Inventor: **Leonardo Hernandez**, 333 E. San Ysidro Blvd., No. 26, San Ysidro, CA (US) 92173

\* cited by examiner

*Primary Examiner*—Caron D. Veynar

(73) Assignee: **Leonardo Hernandez**, Tijuana (MX)

(57) **CLAIM**

(\*\*) Term: **14 Years**

The ornamental design for a big bottle opener, as shown.

(21) Appl. No.: **29/168,452**

**DESCRIPTION**

(22) Filed: **Oct. 1, 2002**

FIG. 1 is an upper perspective view of a big bottle opener showing my design.

(51) **LOC (7) Cl.** ..... **07-99**

FIG. 2 is a top view thereof;

(52) **U.S. Cl.** ..... **D8/40**

FIG. 3 is a side view thereof;

(58) **Field of Search** ..... D8/17-19, 33-43, D8/88; 7/151-156, 166; 30/400-450; 81/3.07-3.49

FIG. 4 is an opposite side view thereof;

FIG. 5 is a front view thereof;

(56) **References Cited**

FIG. 6 is a back view thereof; and,

FIG. 7 is a bottom view thereof.

**U.S. PATENT DOCUMENTS**

D254,834 S \* 4/1980 Madsen et al. .... D8/18

**1 Claim, 2 Drawing Sheets**

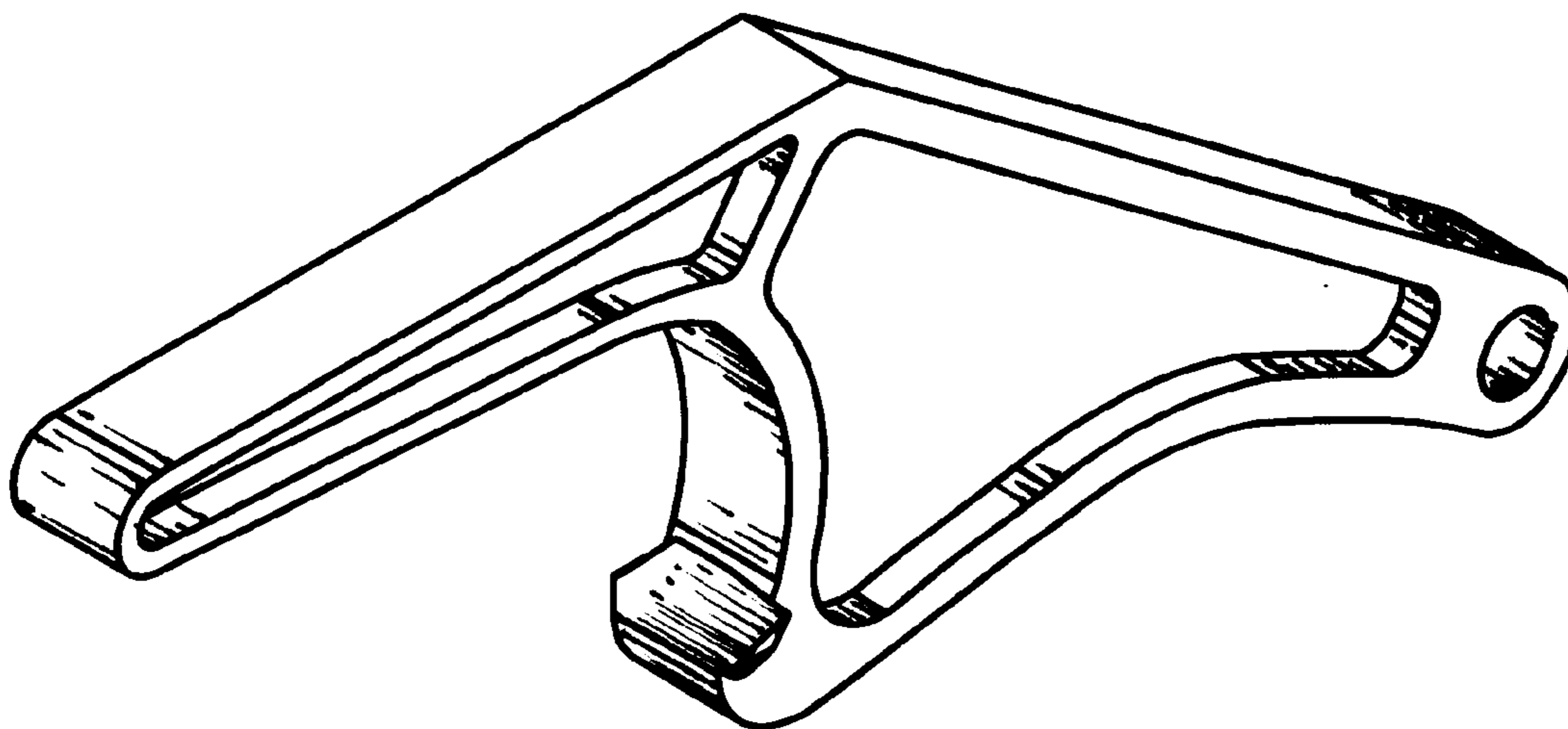


FIG. 1

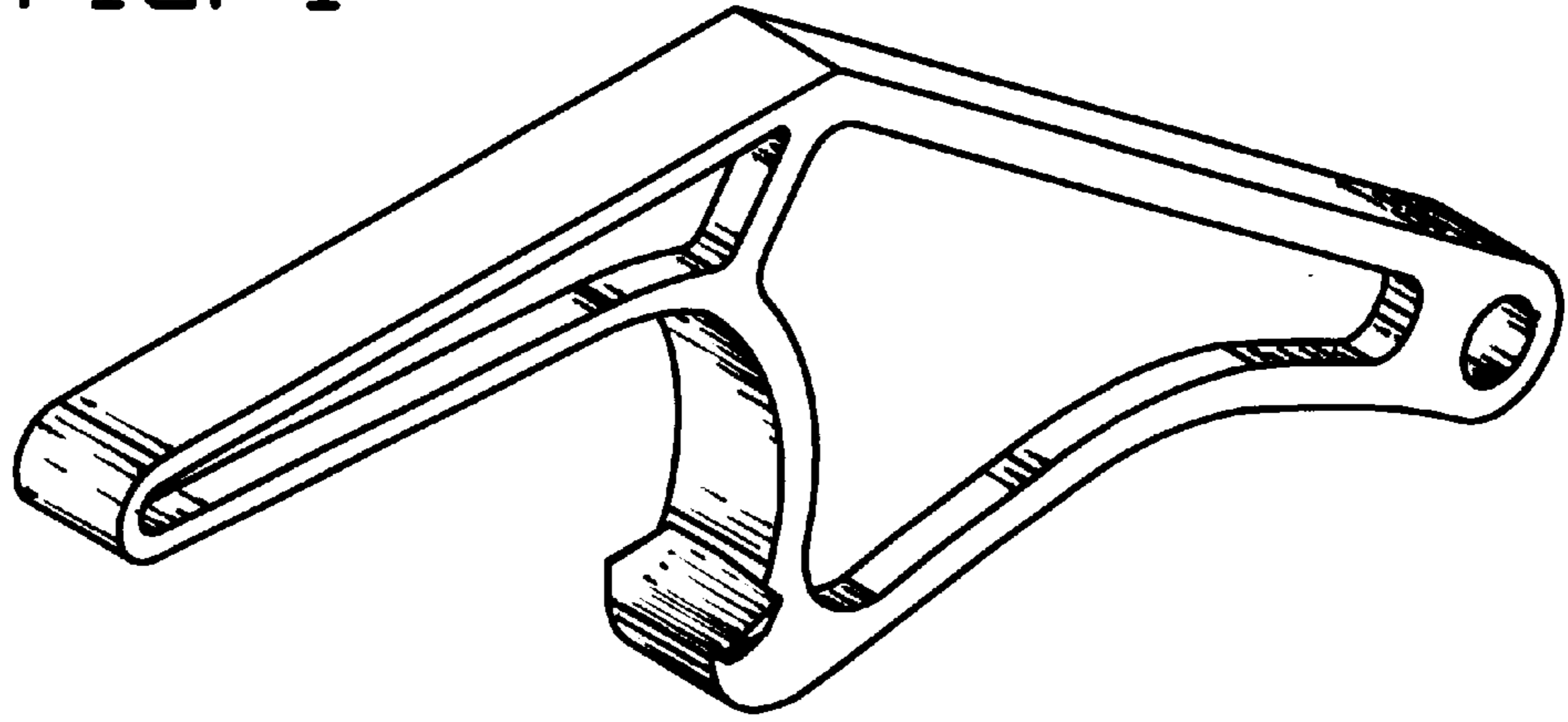


FIG. 2



FIG. 3

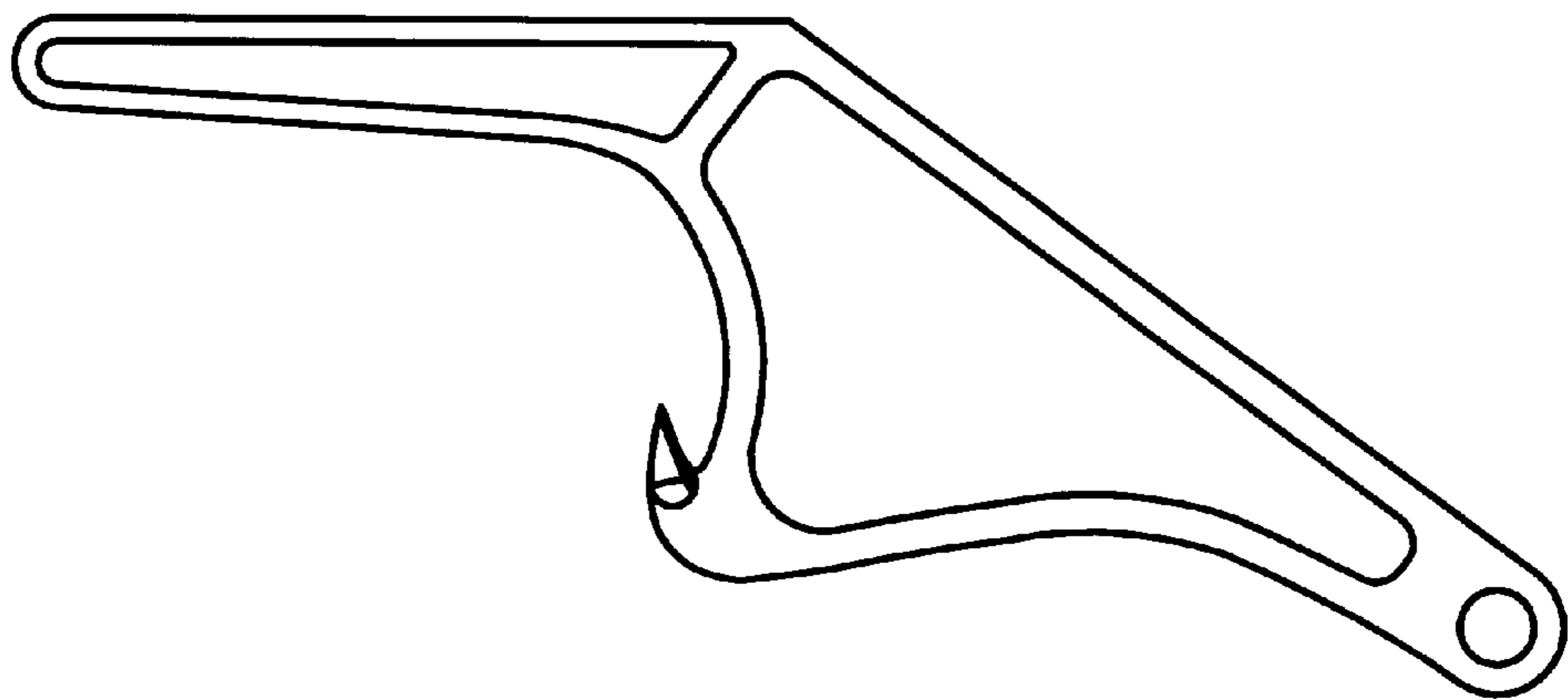


FIG. 4

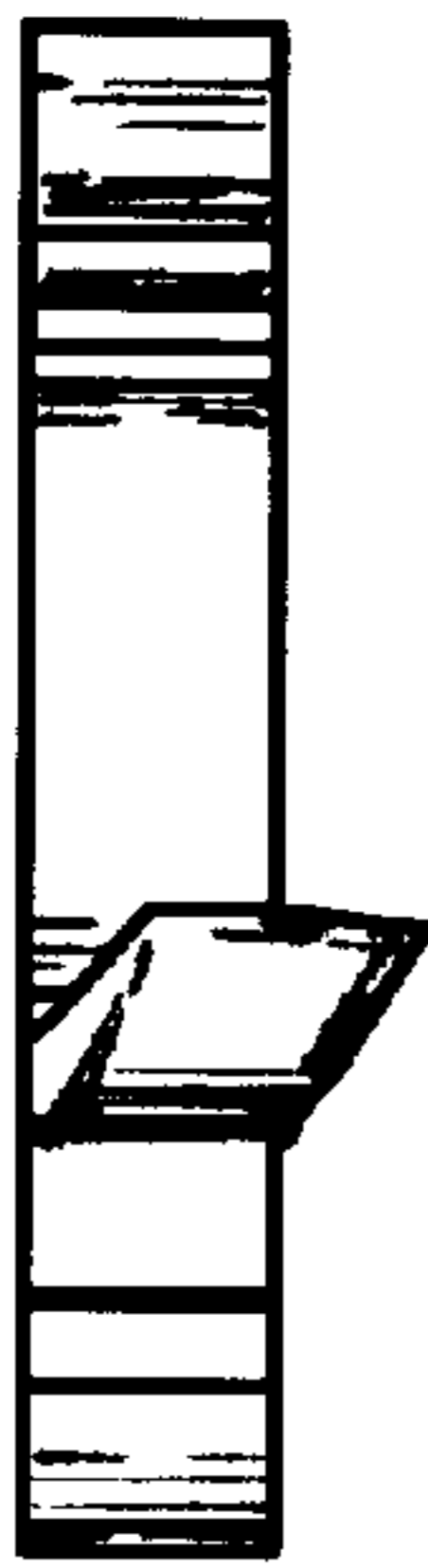
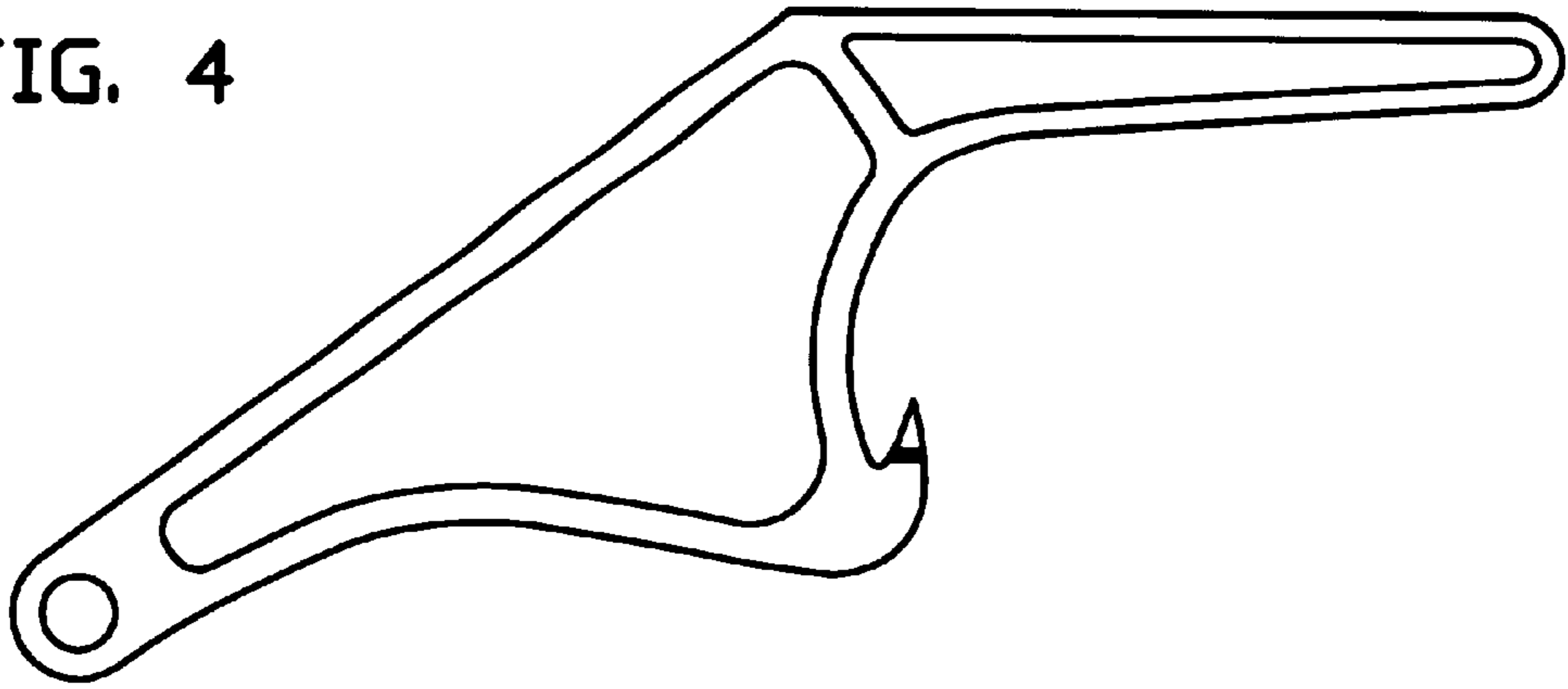


FIG. 5

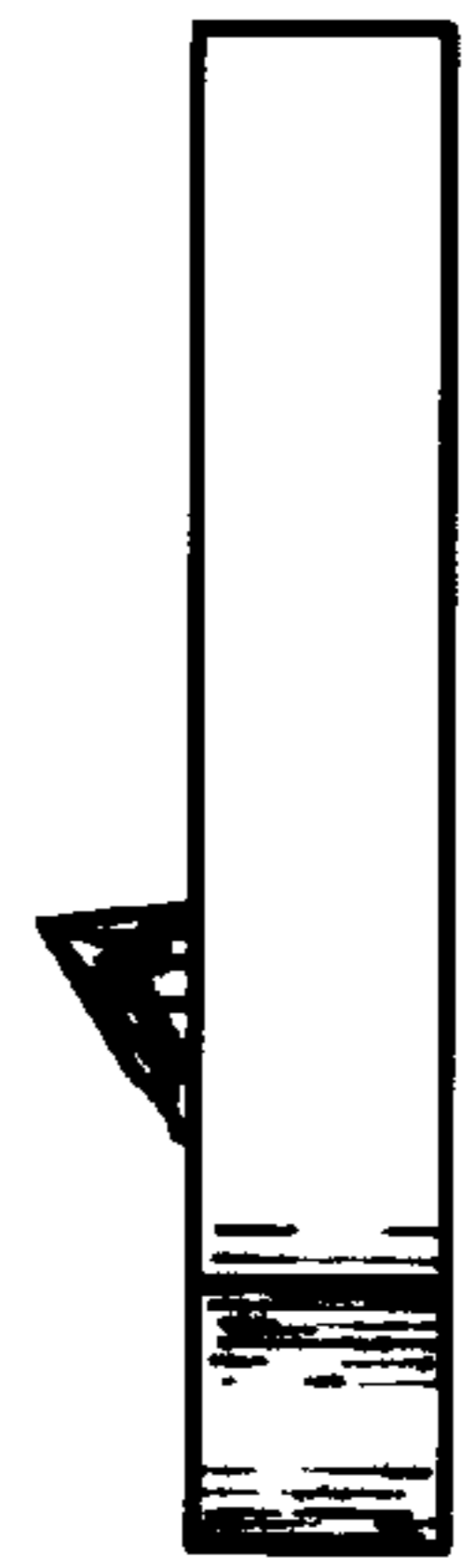


FIG. 6

FIG. 7

