



US00D480929S

(12) **United States Design Patent**  
**Douglas**

(10) **Patent No.:** **US D480,929 S**

(45) **Date of Patent:** **\*\* Oct. 21, 2003**

(54) **PORTABLE COMPARTMENTED MULTI-LAYERED RE-USABLE FOOD CONTAINER**

(76) **Inventor:** **James Matthew Douglas**, 717 Yearling Ct., Camarillo, CA (US) 93010

(\*\*) **Term:** **14 Years**

(21) **Appl. No.:** **29/166,188**

(22) **Filed:** **Nov. 7, 2002**

(51) **LOC (7) Cl.** ..... **07-07**

(52) **U.S. Cl.** ..... **D7/629**

(58) **Field of Search** ..... D7/601, 602, 629, D7/709, 550.1, 553.1-553.5, 554.1, 554.3, 554.4; D3/302, 273, 274, 283; D9/414, 418, 424-432, 341, 347; 206/216, 223, 541-546, 557

(56) **References Cited**

**U.S. PATENT DOCUMENTS**

- D207,496 S \* 4/1967 Swett ..... D7/610
- 3,799,386 A \* 3/1974 Madalin et al. .... 206/564
- D246,560 S \* 12/1977 Beauchamp et al. .... D7/629
- D249,930 S \* 10/1978 Seager ..... D9/347
- D262,839 S \* 2/1982 Daenen et al. .... D7/629

- 4,440,303 A \* 4/1984 Seager ..... 206/545
- D280,059 S \* 8/1985 Otto ..... D7/538
- 5,016,756 A \* 5/1991 Wischhusen et al. .... 206/545
- 5,868,268 A \* 2/1999 Walker ..... 220/379

\* cited by examiner

*Primary Examiner*—Terry A. Wallace

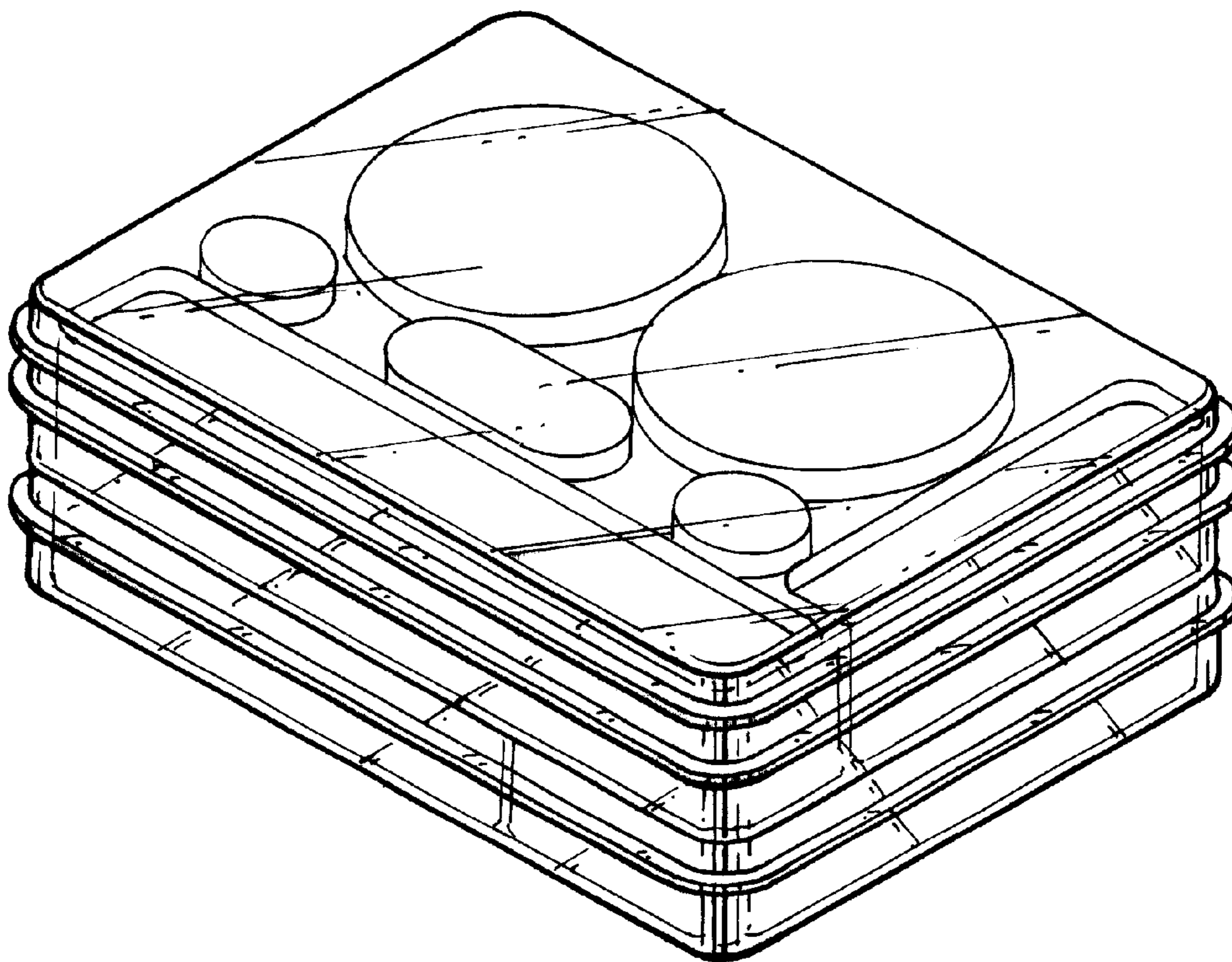
(57) **CLAIM**

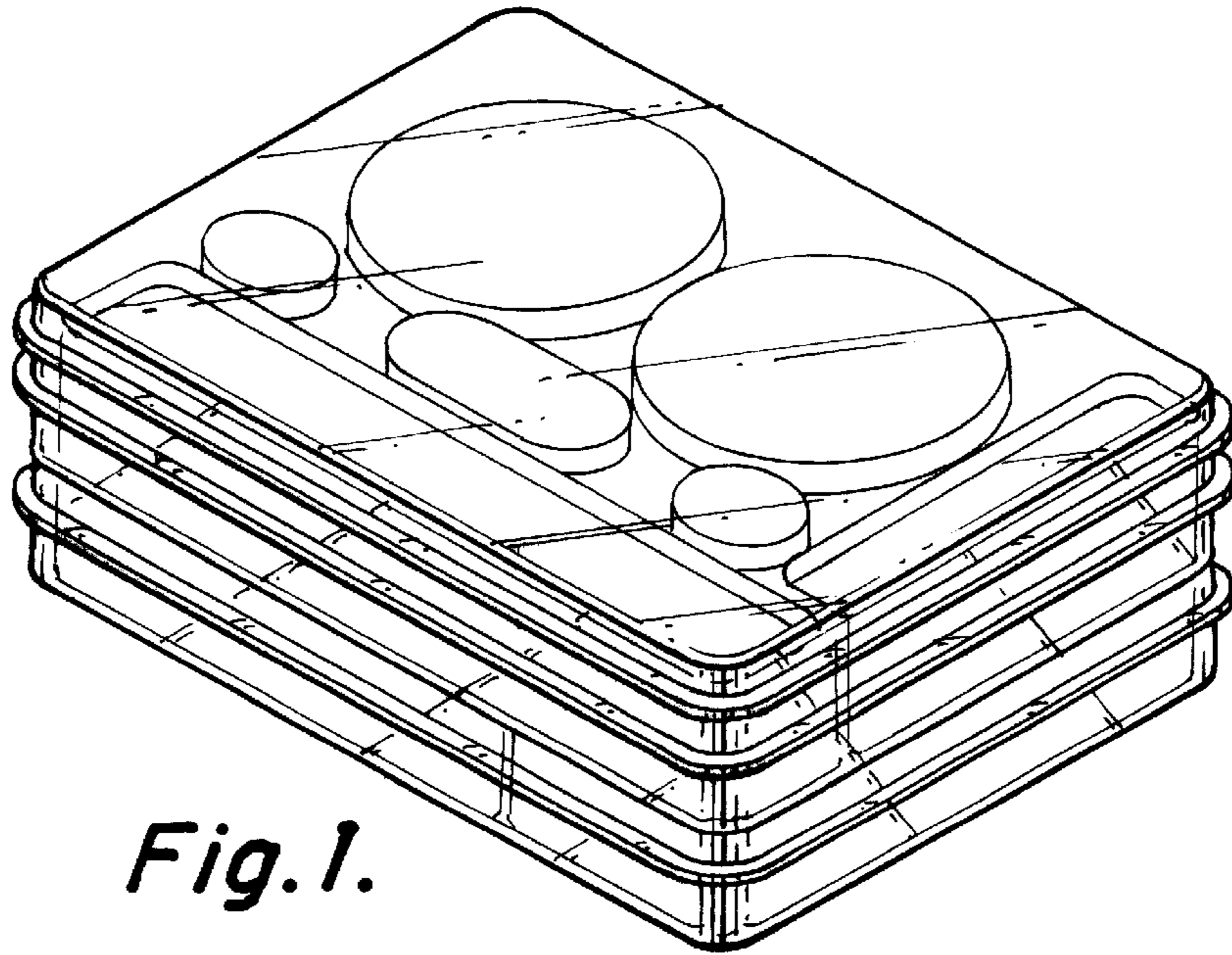
The ornamental design for a portable compartmented multi-layered re-usable food container, as shown and described.

**DESCRIPTION**

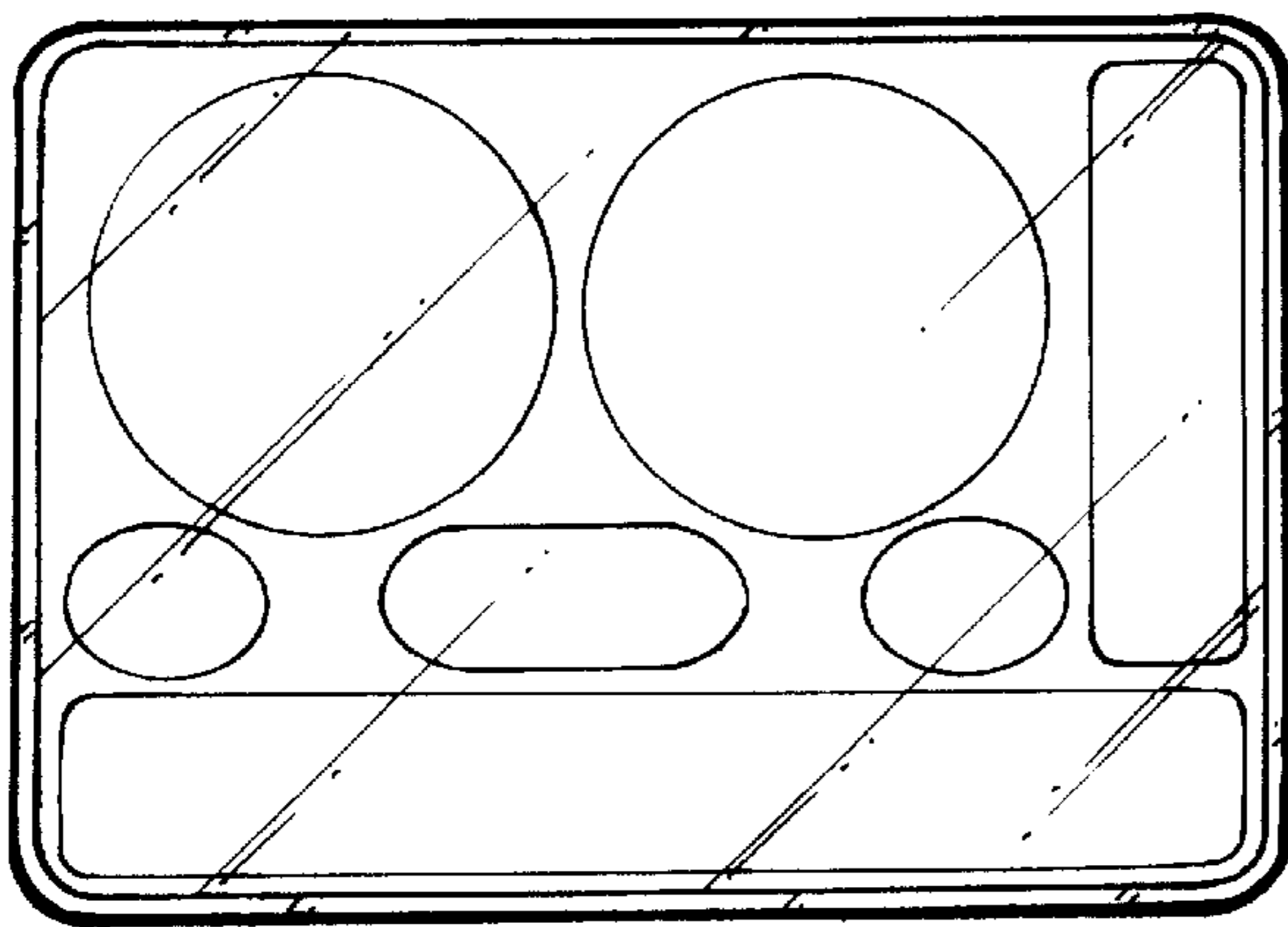
FIG. 1. is an isometric view showing my new design;  
 FIG. 2. is a top plan view thereof;  
 FIG. 3. is a right side elevational view thereof, the left side view is identical.  
 FIG. 4. is a front elevational view thereof, the rear view is identical.  
 FIG. 5. is a bottom plan view thereof;  
 FIG. 6. is an alternate view similar to FIG. 1. with the bottom layer shown; and,  
 FIG. 7. is an alternate view similar to FIG. 1. with the middle layer shown.

**1 Claim, 3 Drawing Sheets**

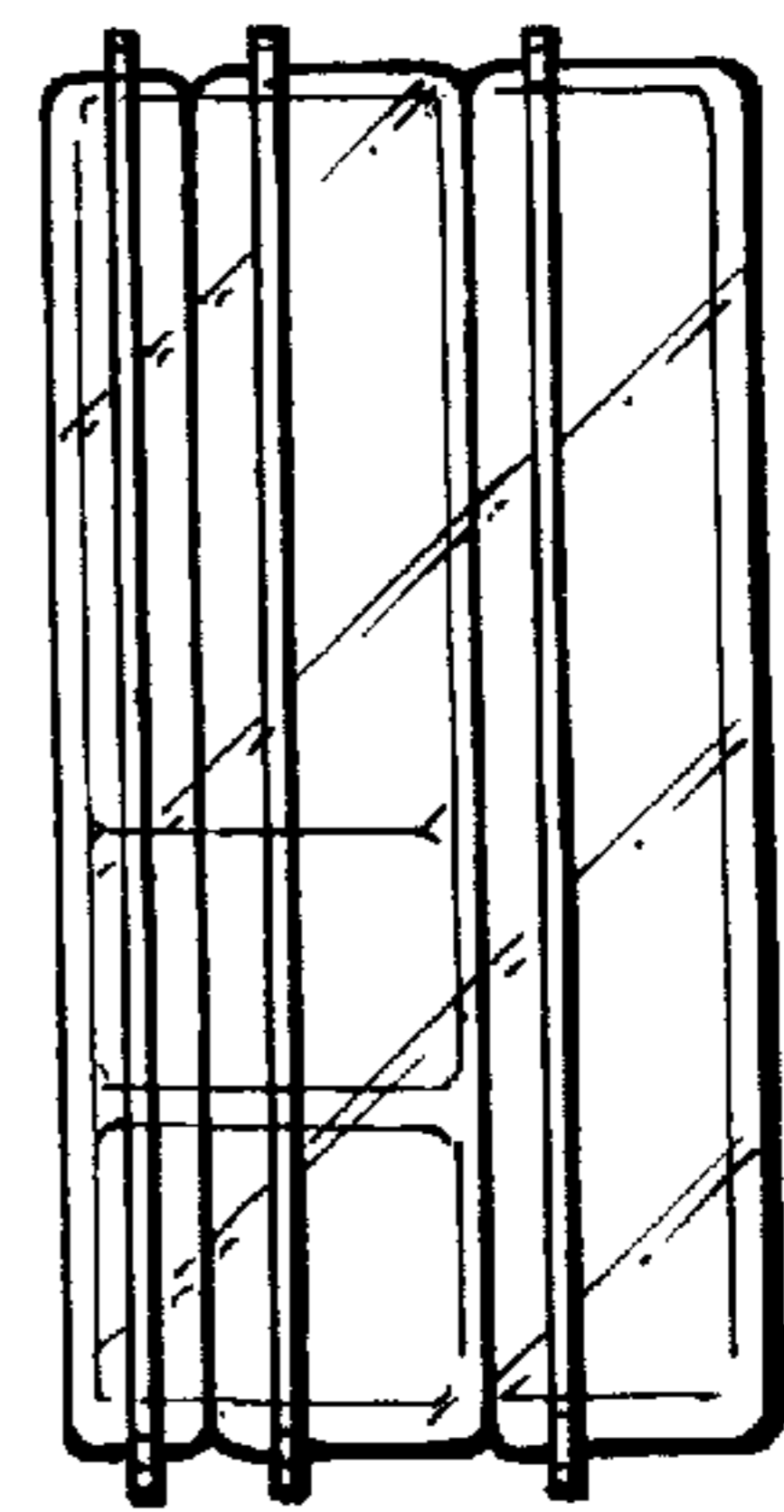




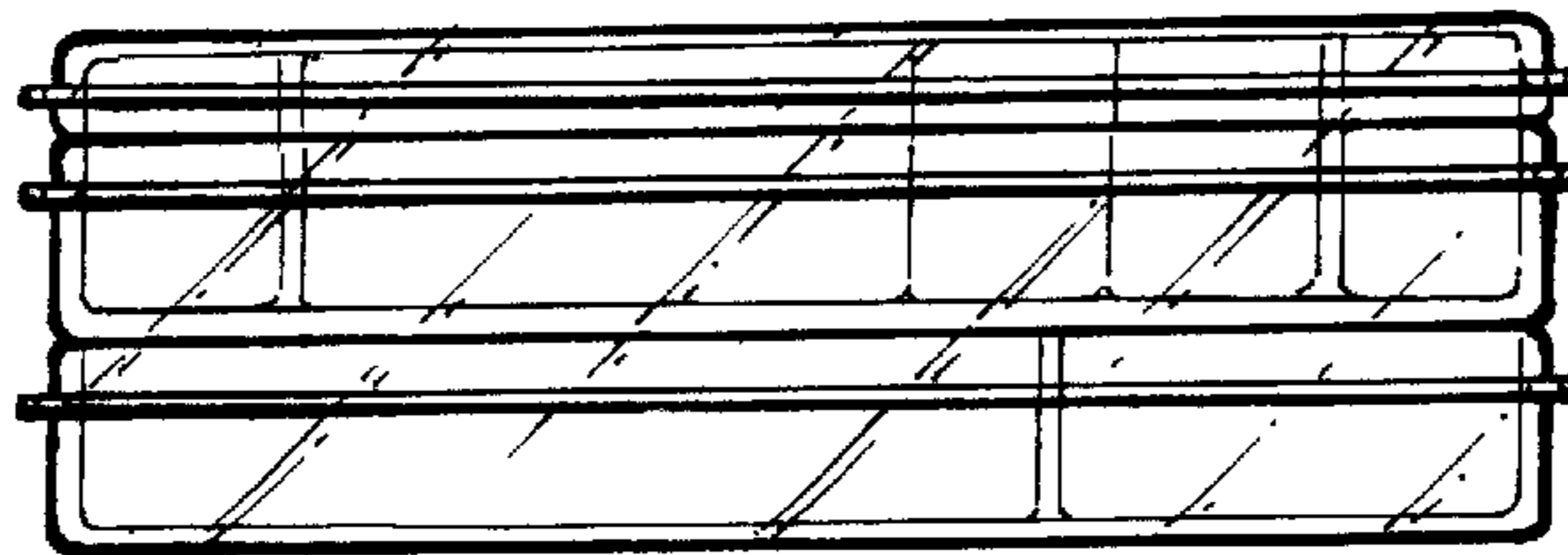
*Fig. 1.*



*Fig. 2.*

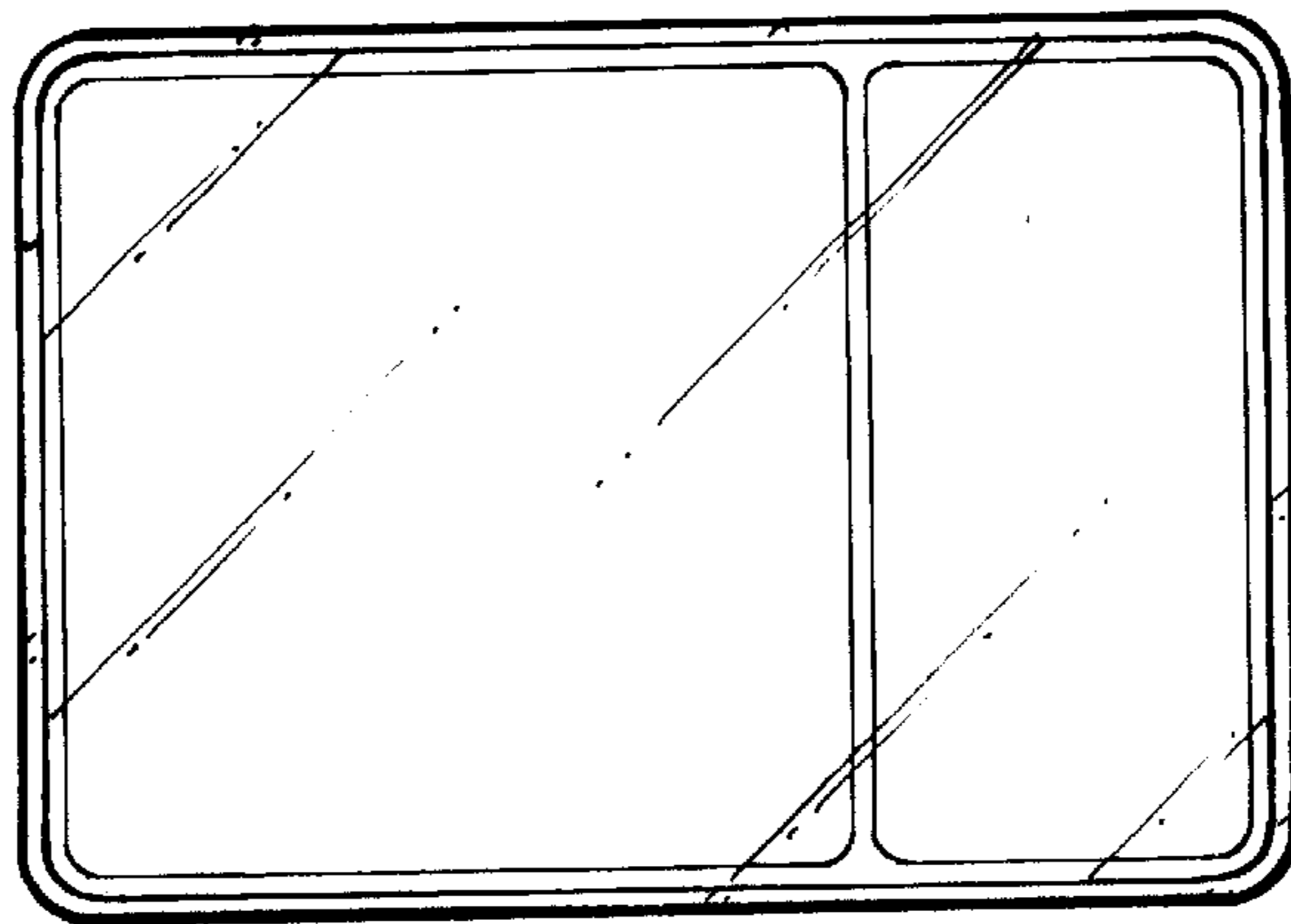


*Fig. 3.*

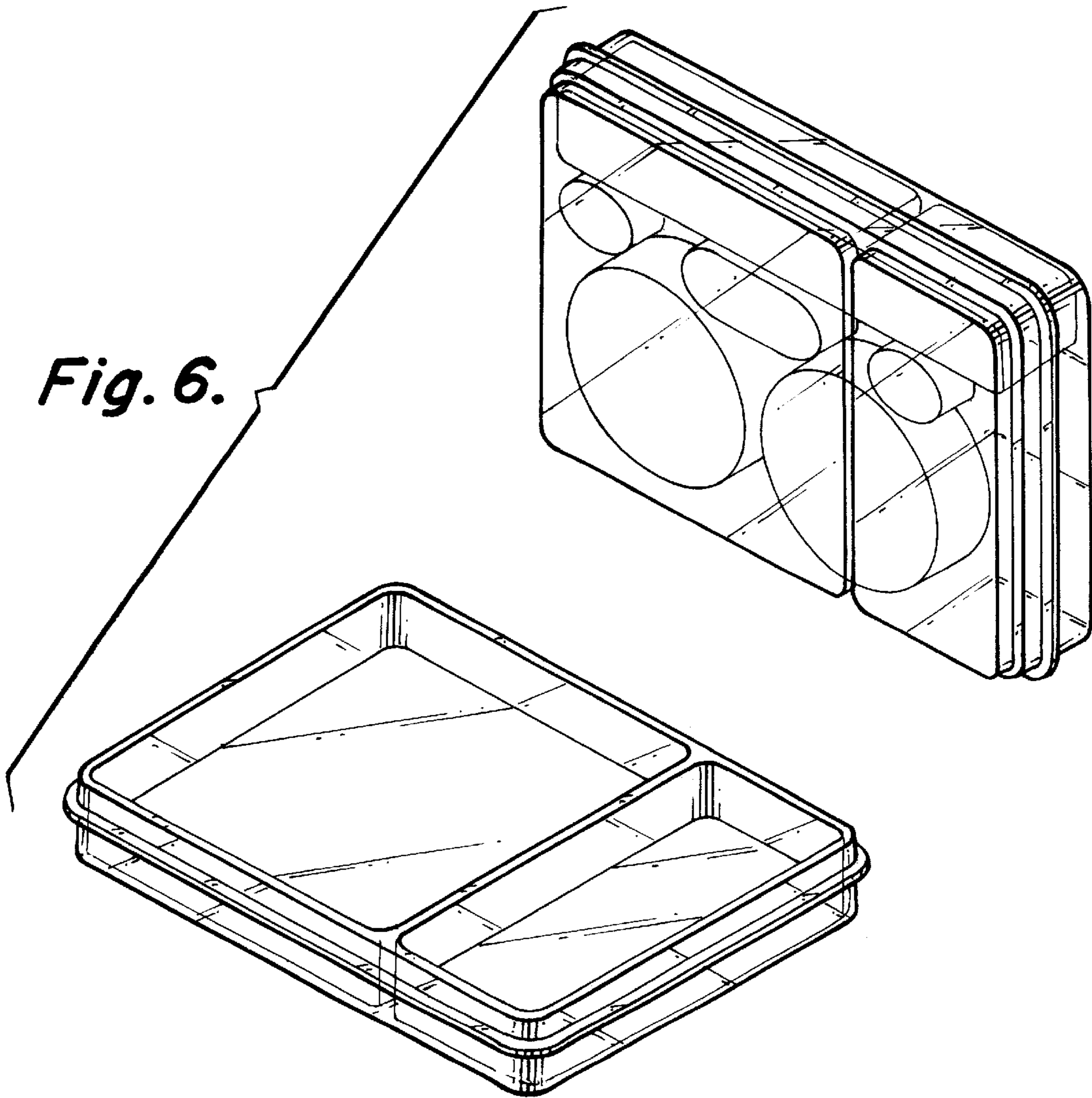


*Fig. 4.*





*Fig. 5.*



*Fig. 6.*

