



US00D480928S

(12) **United States Design Patent**
Farce

(10) **Patent No.:** **US D480,928 S**

(45) **Date of Patent:** **** Oct. 21, 2003**

(54) **BOTTLE HOLDER**

(75) Inventor: **Jean-Michel Farce**, Paris (FR)

(73) Assignee: **Sanpellegrino S.p.A.**, Milan (IT)

(**) Term: **14 Years**

(21) Appl. No.: **29/170,217**

(22) Filed: **Nov. 1, 2002**

(30) **Foreign Application Priority Data**

May 3, 2002 (IT) MI200200312

(51) **LOC (7) Cl.** **07-01**

(52) **U.S. Cl.** **D7/608**

(58) **Field of Search** D7/605-608, 619-625;
211/71.01, 74, 75; 248/309.1, 311.2; 215/12.1,
12.2, 13.1, 396, 398; 220/737, 739; 62/457.1-457.5,
371, 372

(56) **References Cited**

U.S. PATENT DOCUMENTS

D390,755 S * 2/1998 Hotton D7/608

D431,969 S * 10/2000 Hurlbut D7/608

* cited by examiner

Primary Examiner—Terry A. Wallace

(74) *Attorney, Agent, or Firm*—Welsh & Katz, Ltd.

(57) **CLAIM**

The ornamental design for the “bottle holder”, as shown and described.

DESCRIPTION

FIG. 1 is a front perspective view of the bottle holder, showing my new design, in a first embodiment;

FIG. 2 is a front view thereof, the rear view being mirror-like;

FIG. 3 is a side view thereof, the other side view being mirror-like;

FIG. 4 is a plan view from above;

FIG. 5 is a plan view from below;

FIG. 6 is a cross-section view taken along line 6—6 of FIG. 2;

FIG. 7 is a front perspective view of the bottle holder, in a second embodiment;

FIG. 8 is a front view thereof, the rear view being mirror-like;

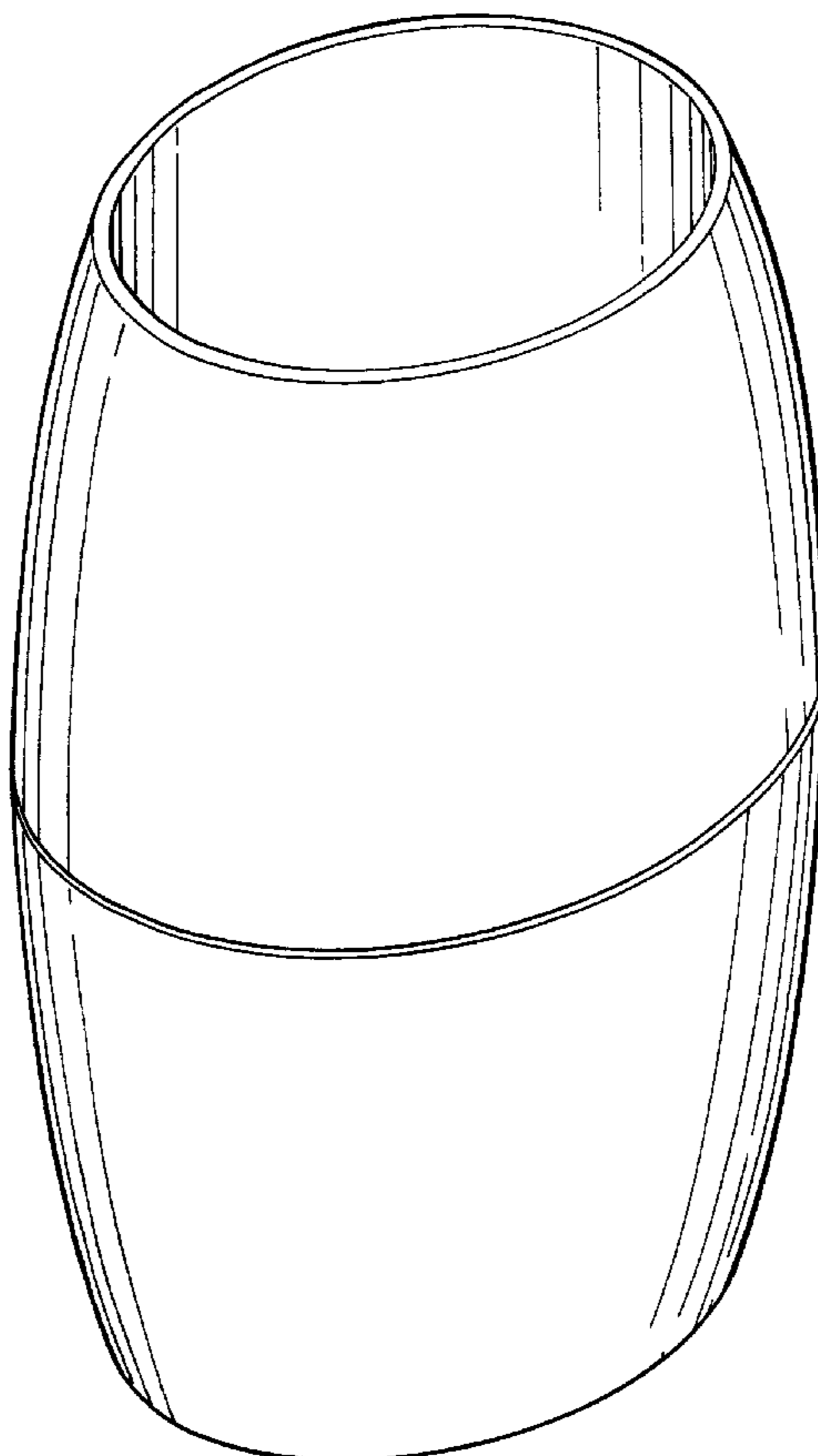
FIG. 9 is a side view thereof, the other side view being mirror-like;

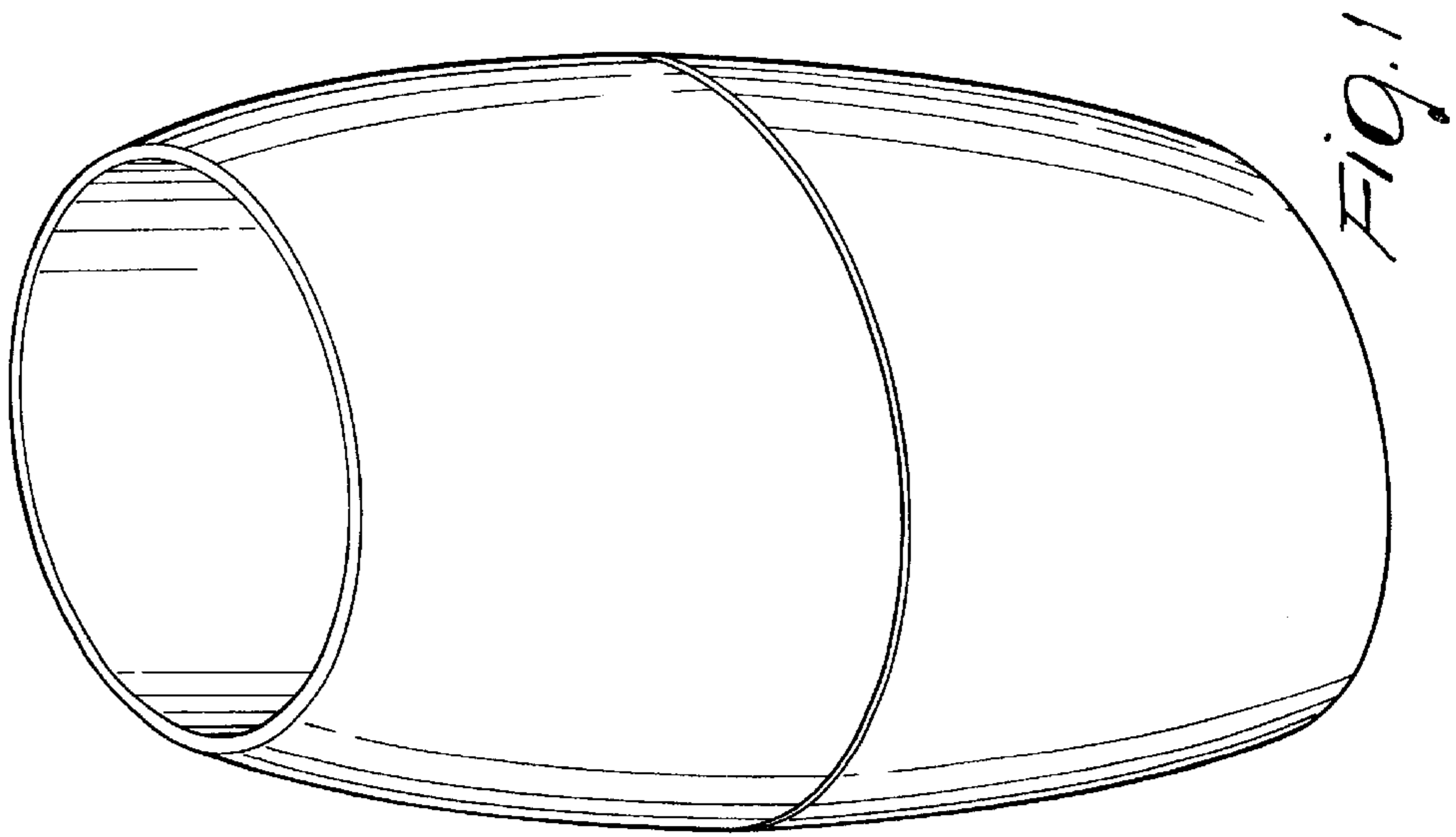
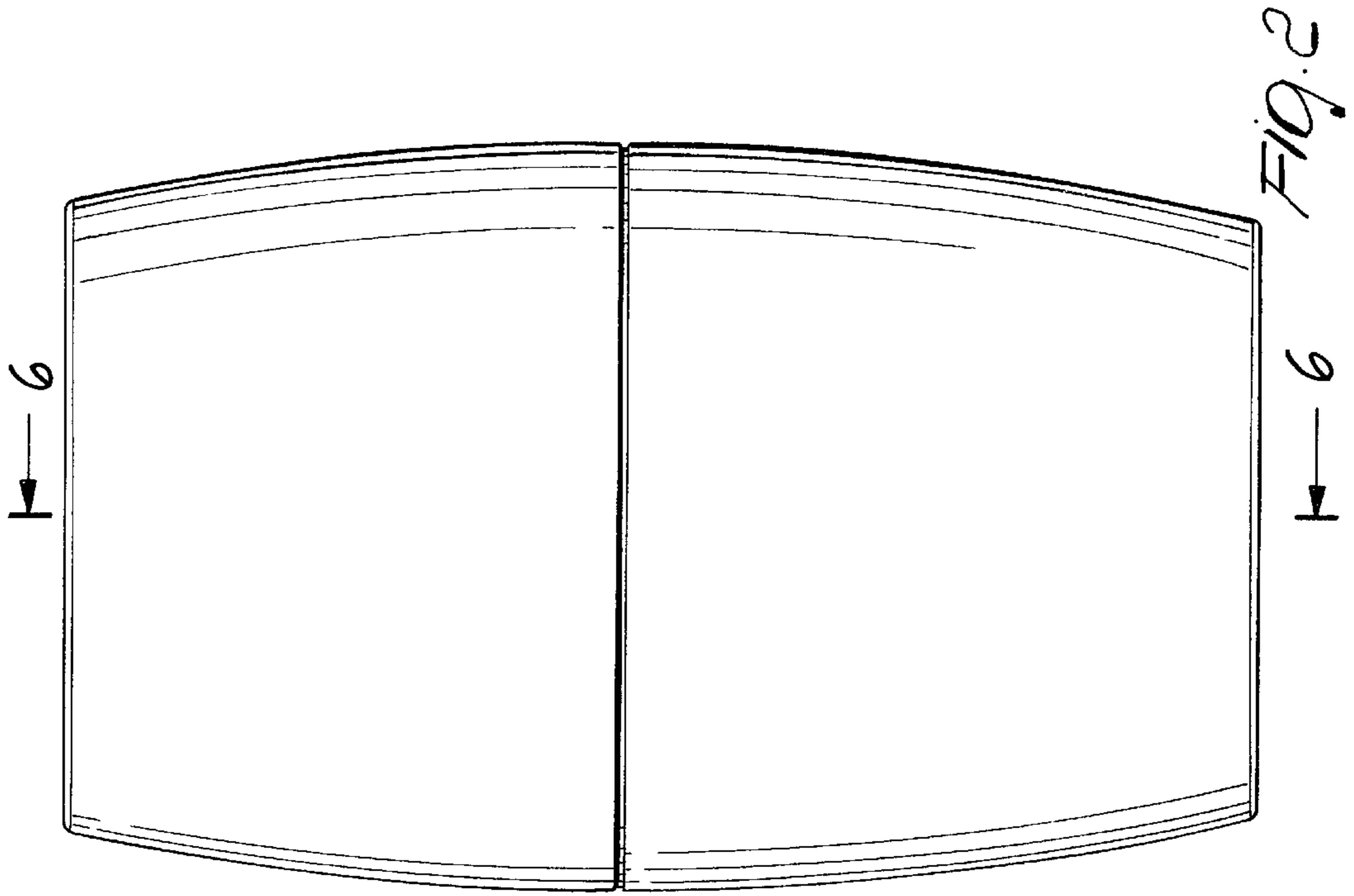
FIG. 10 is a plan view from above;

FIG. 11 is a plan view from below; and,

FIG. 12 is a cross-section view taken along line 12—12 of FIG. 8.

1 Claim, 6 Drawing Sheets





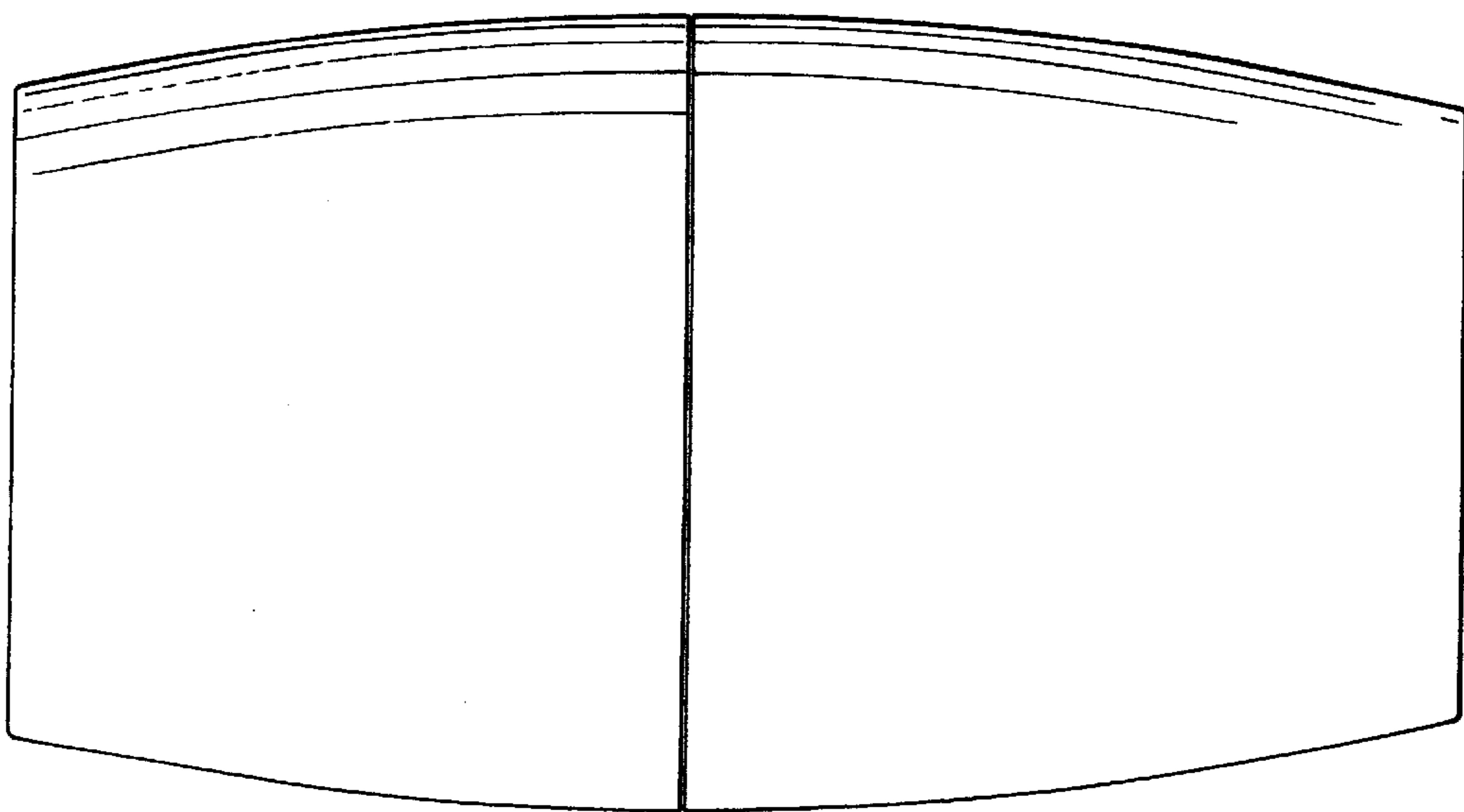


FIG. 3

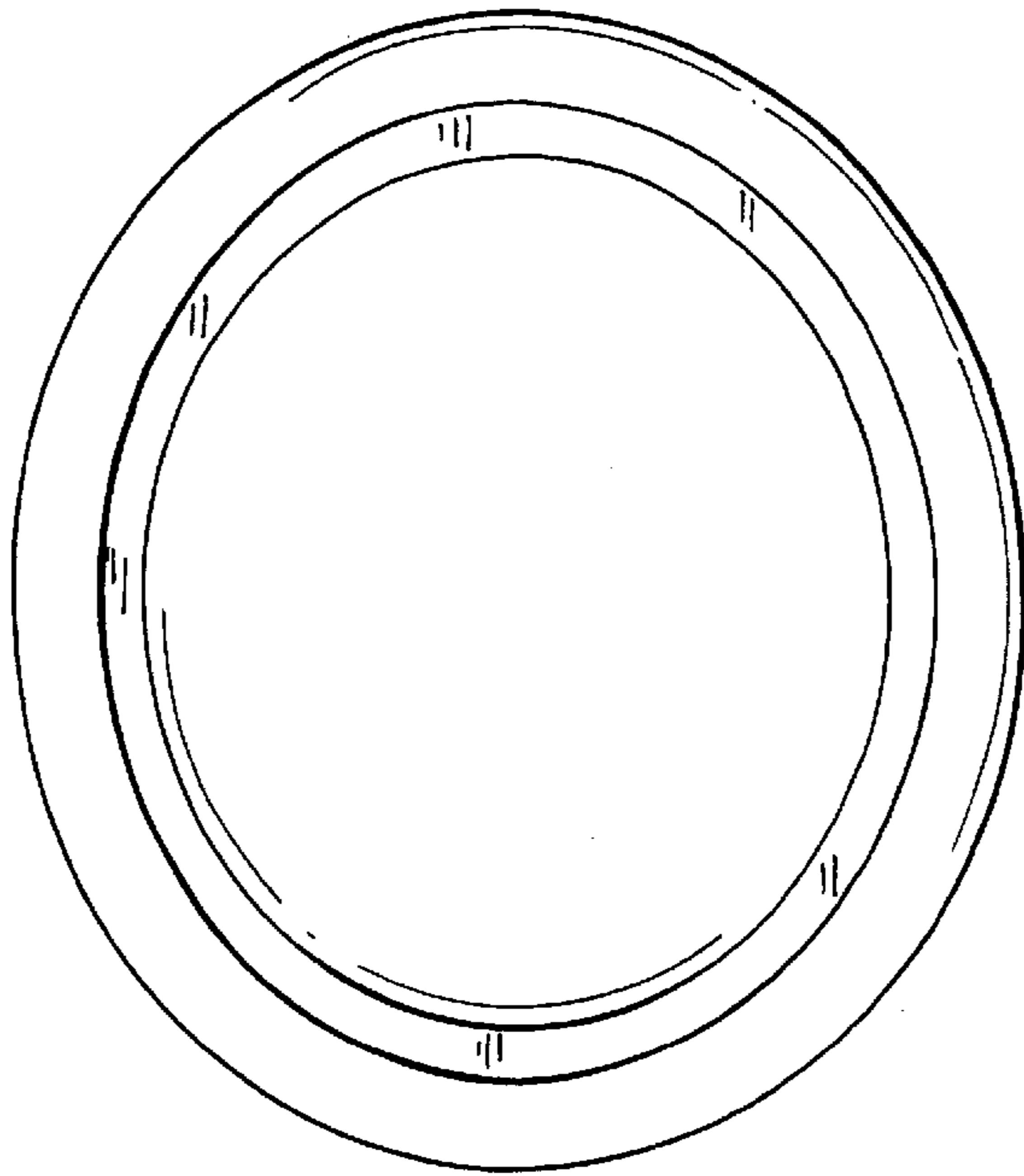


FIG. 4

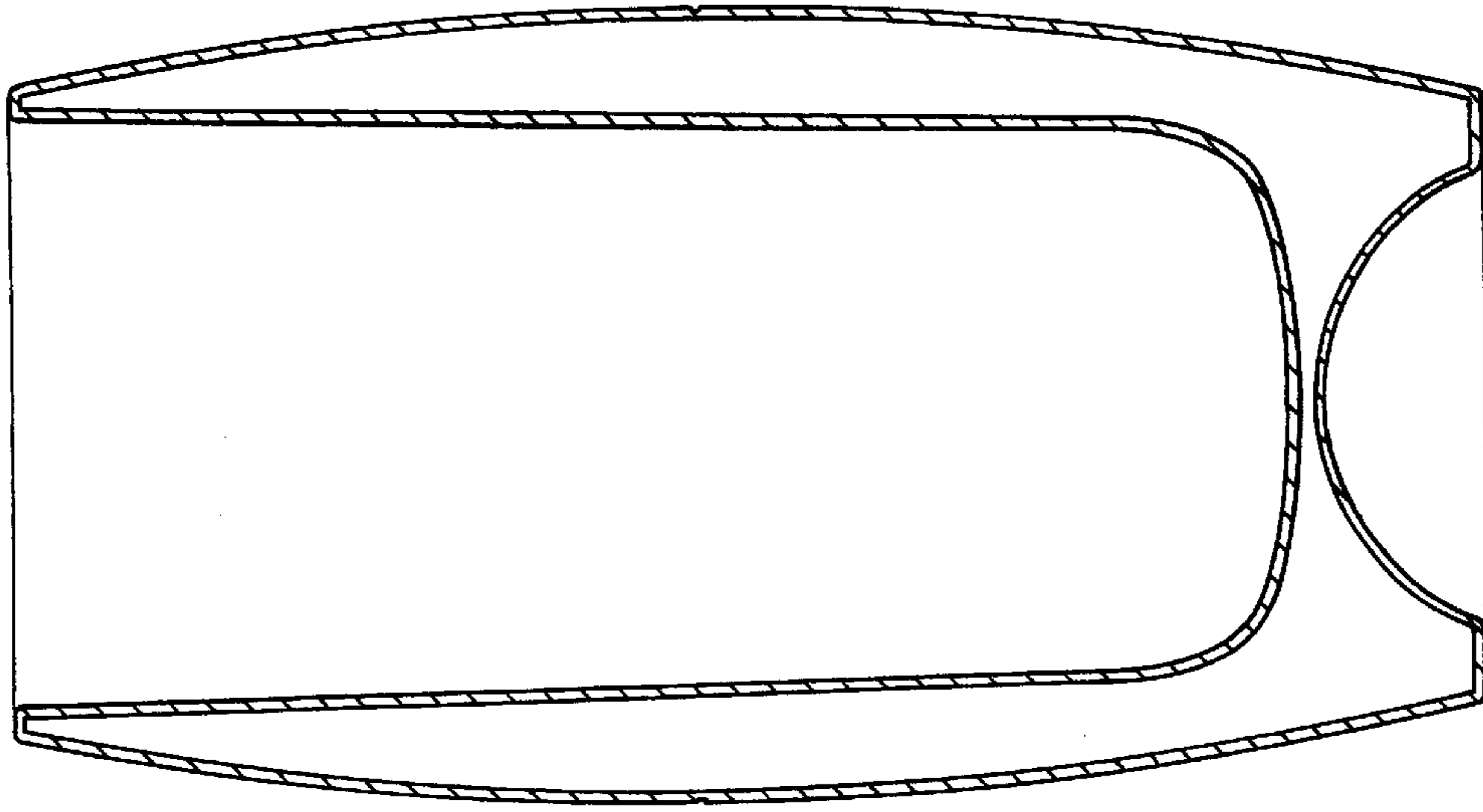


Fig. 6

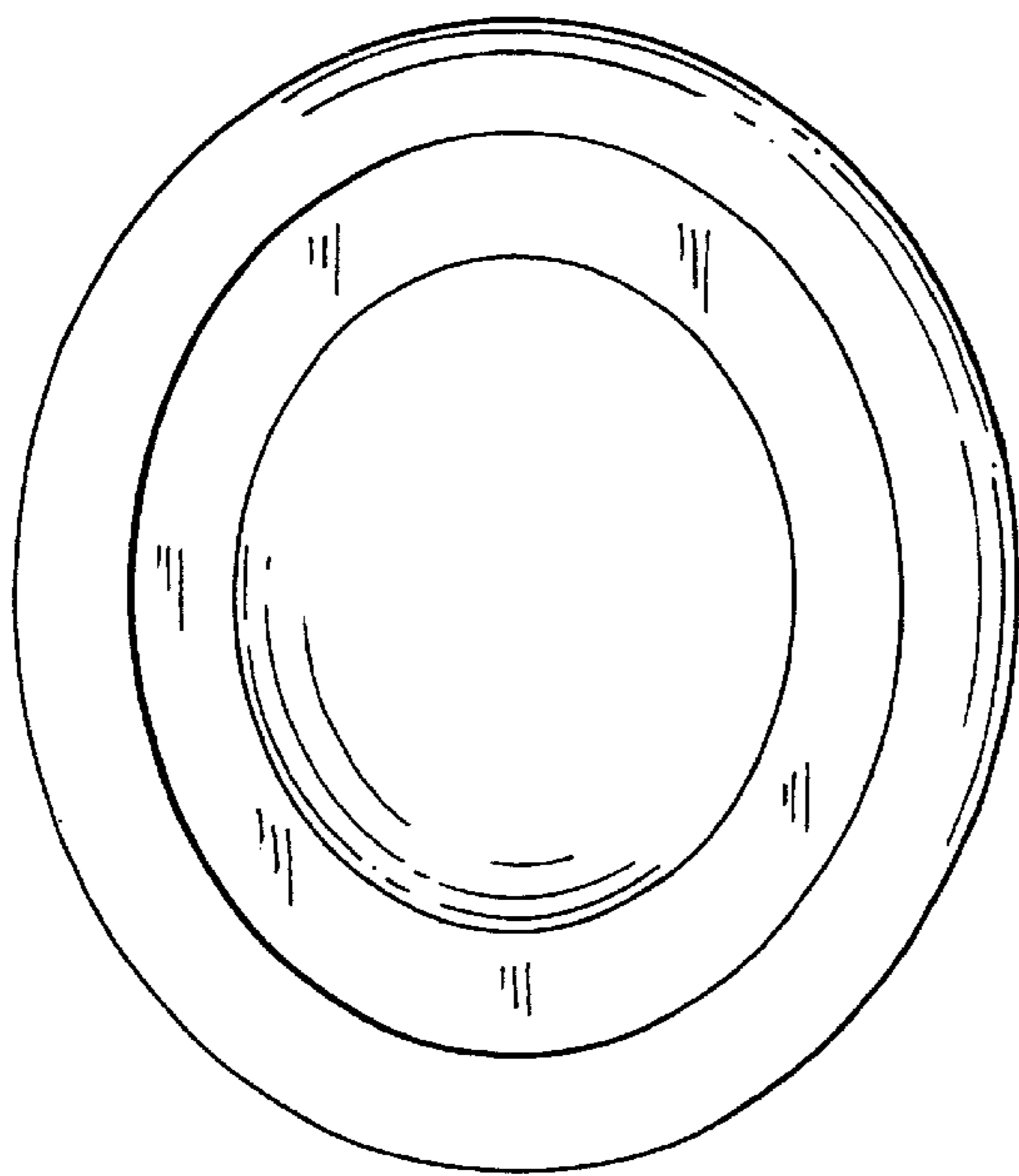


Fig. 5

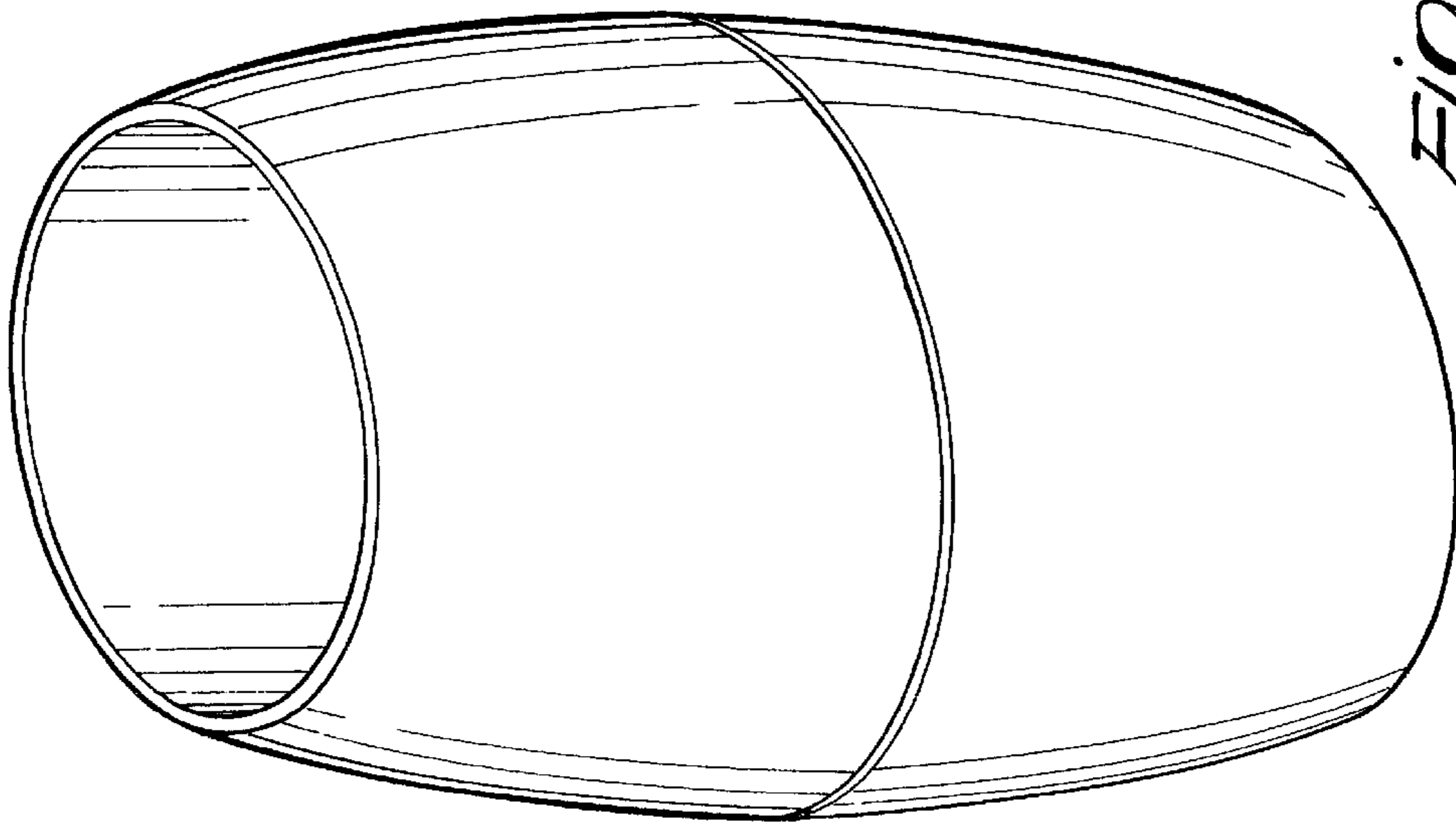
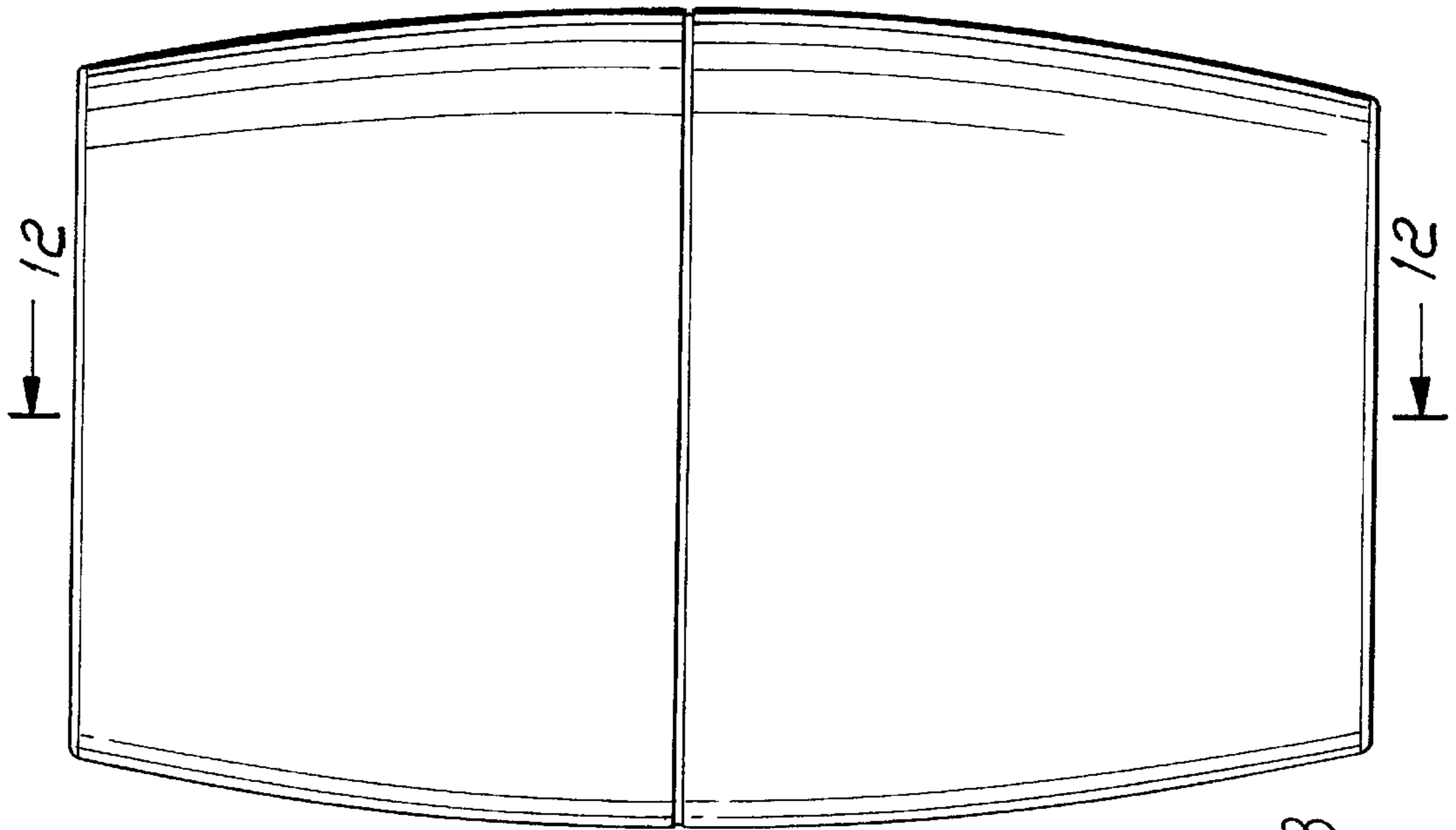


FIG. 7 FIG. 8

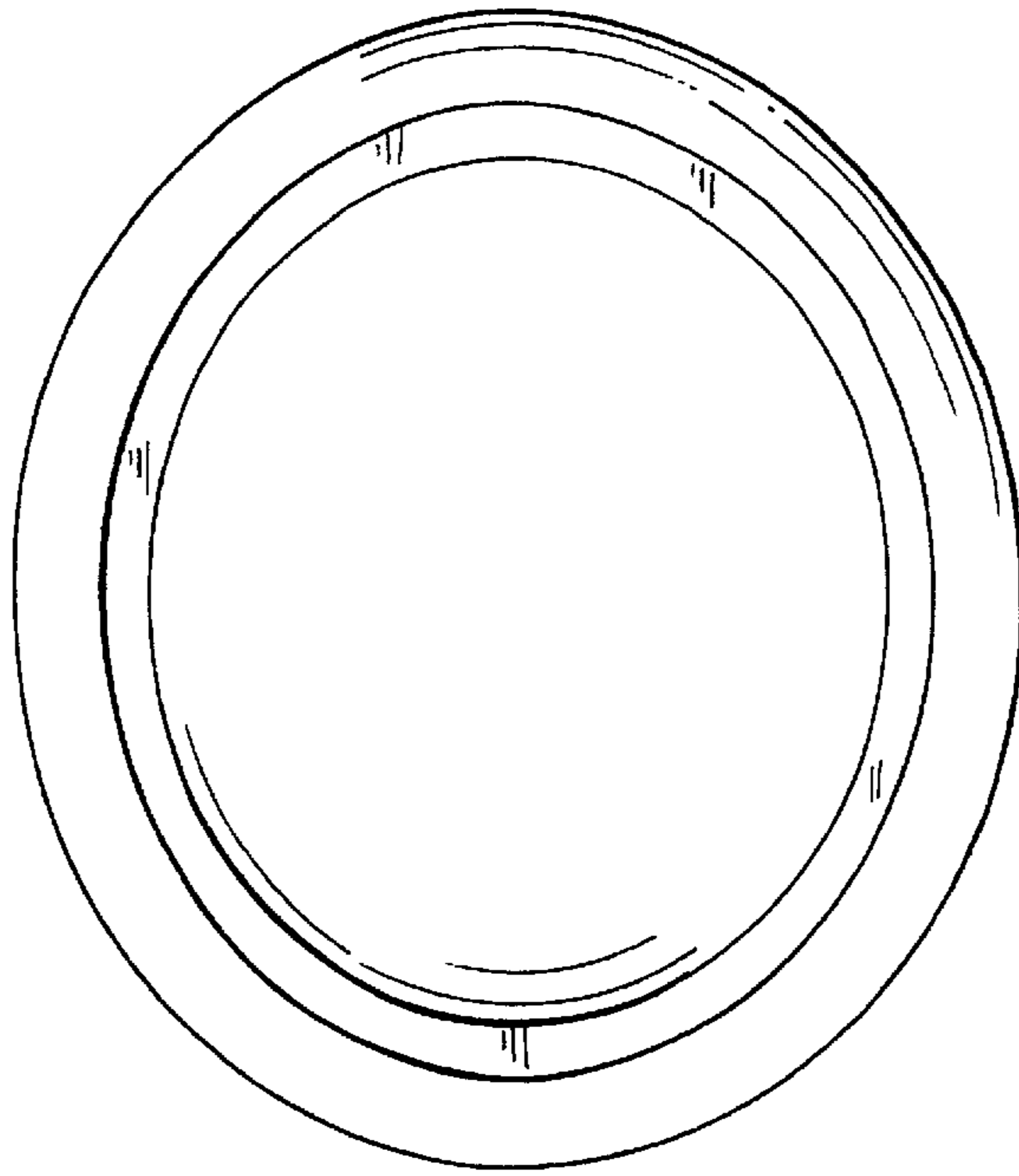


FIG. 10

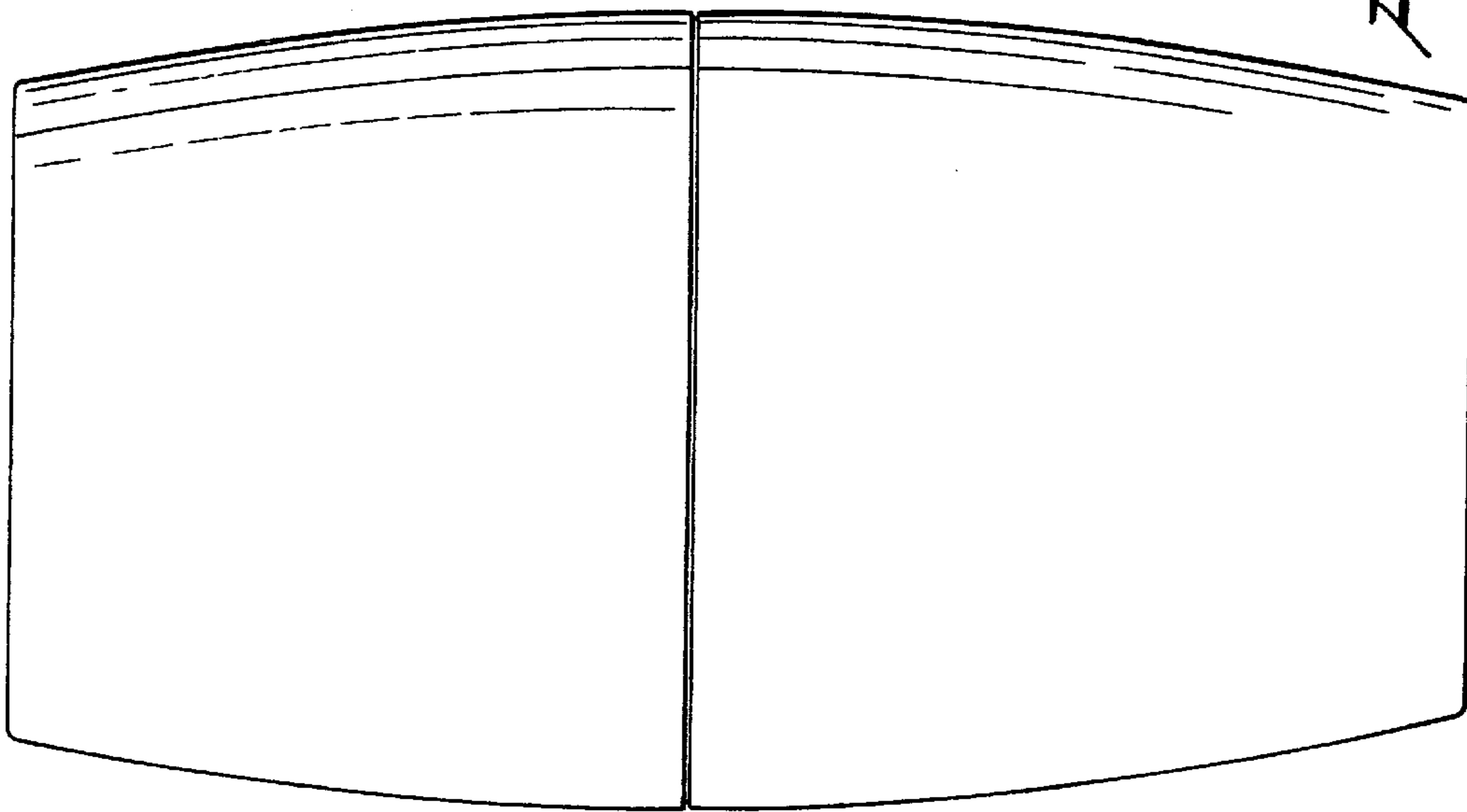


FIG. 9

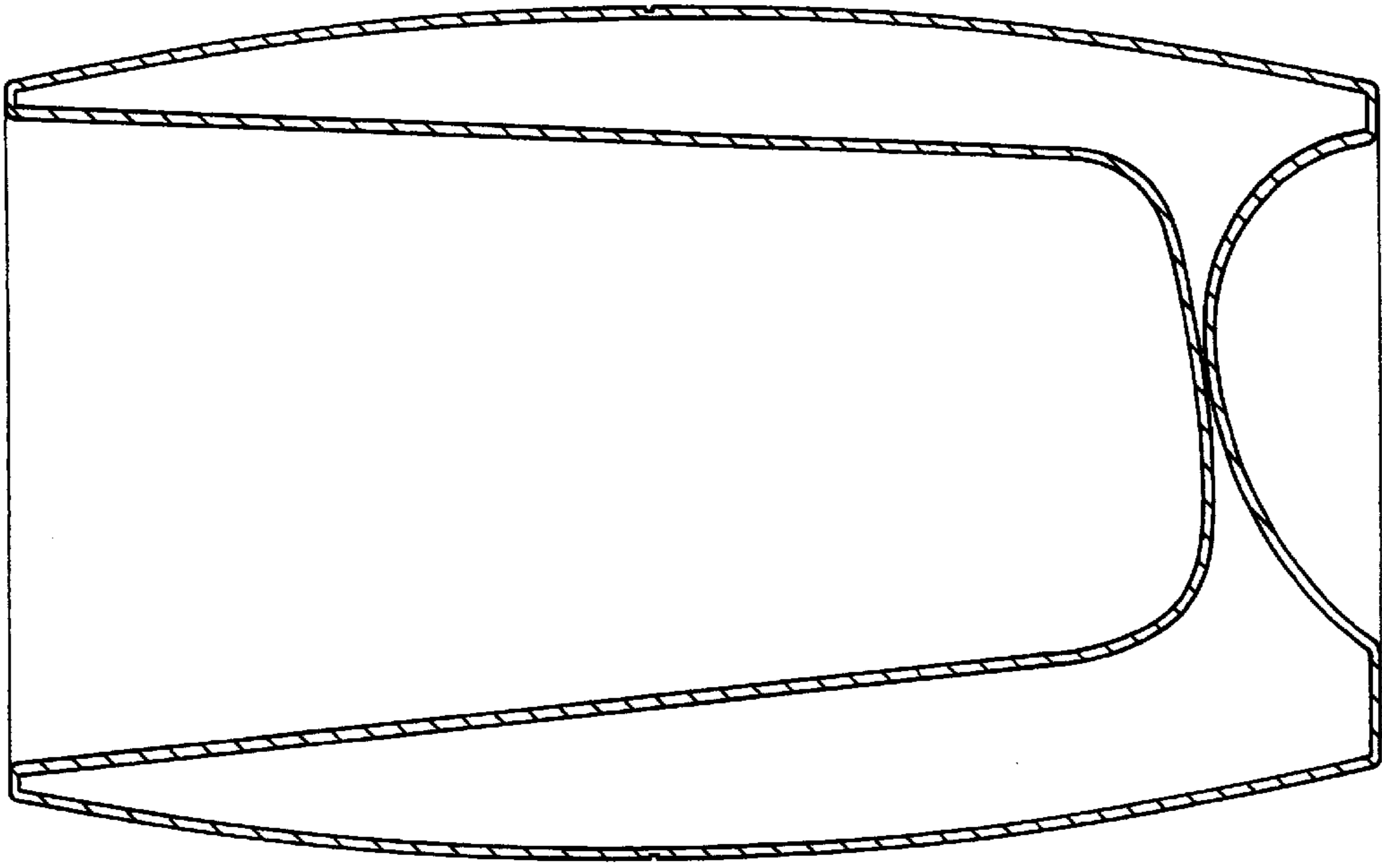


FIG. 12

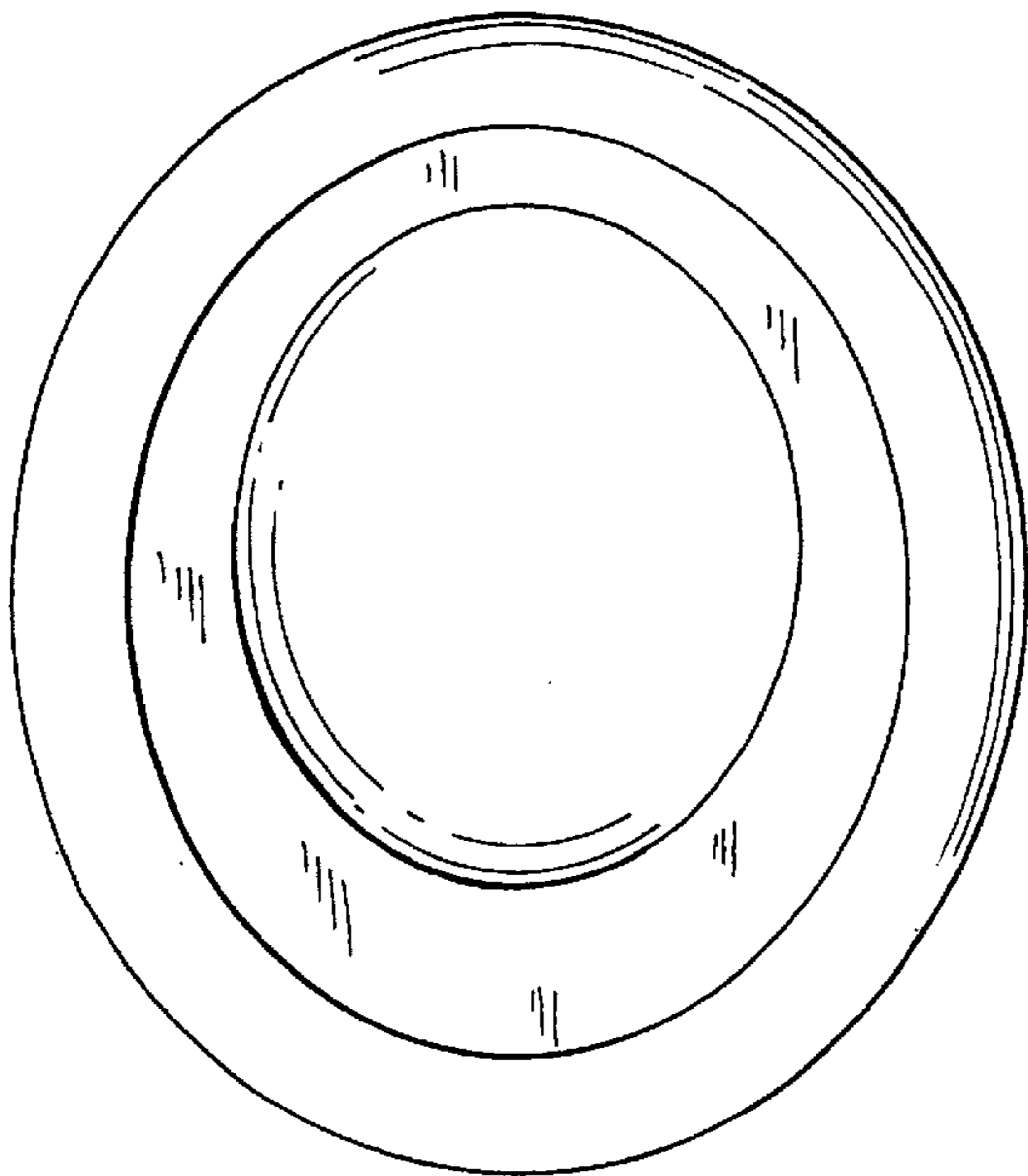


FIG. 11