



US00D480925S

(12) **United States Design Patent**
Morgan

(10) **Patent No.:** **US D480,925 S**

(45) **Date of Patent:** **** Oct. 21, 2003**

(54) **WIRE FRAME FOR POTS, PANS AND LIDS**

(76) Inventor: **Fletcher Morgan**, 4990 Coquina Key Dr., SE., St. Petersburg, FL (US) 33705

(**) Term: **14 Years**

(21) Appl. No.: **29/163,794**

(22) Filed: **Jul. 15, 2002**

(51) **LOC (7) Cl.** **07-99**

(52) **U.S. Cl.** **D7/601**

(58) **Field of Search** D7/601; D6/462, D6/464; 108/61; 211/40, 41.11, 41.1-41.4, 184, 49.1, 106, 162; 312/229, 294, 311

(56) **References Cited**

U.S. PATENT DOCUMENTS

2,608,305 A * 8/1952 Sager 211/41.2
6,021,906 A * 2/2000 Heien 211/41.3

* cited by examiner

Primary Examiner—Terry A. Wallace

(74) *Attorney, Agent, or Firm*—John S. Hale; Gipple & Hale

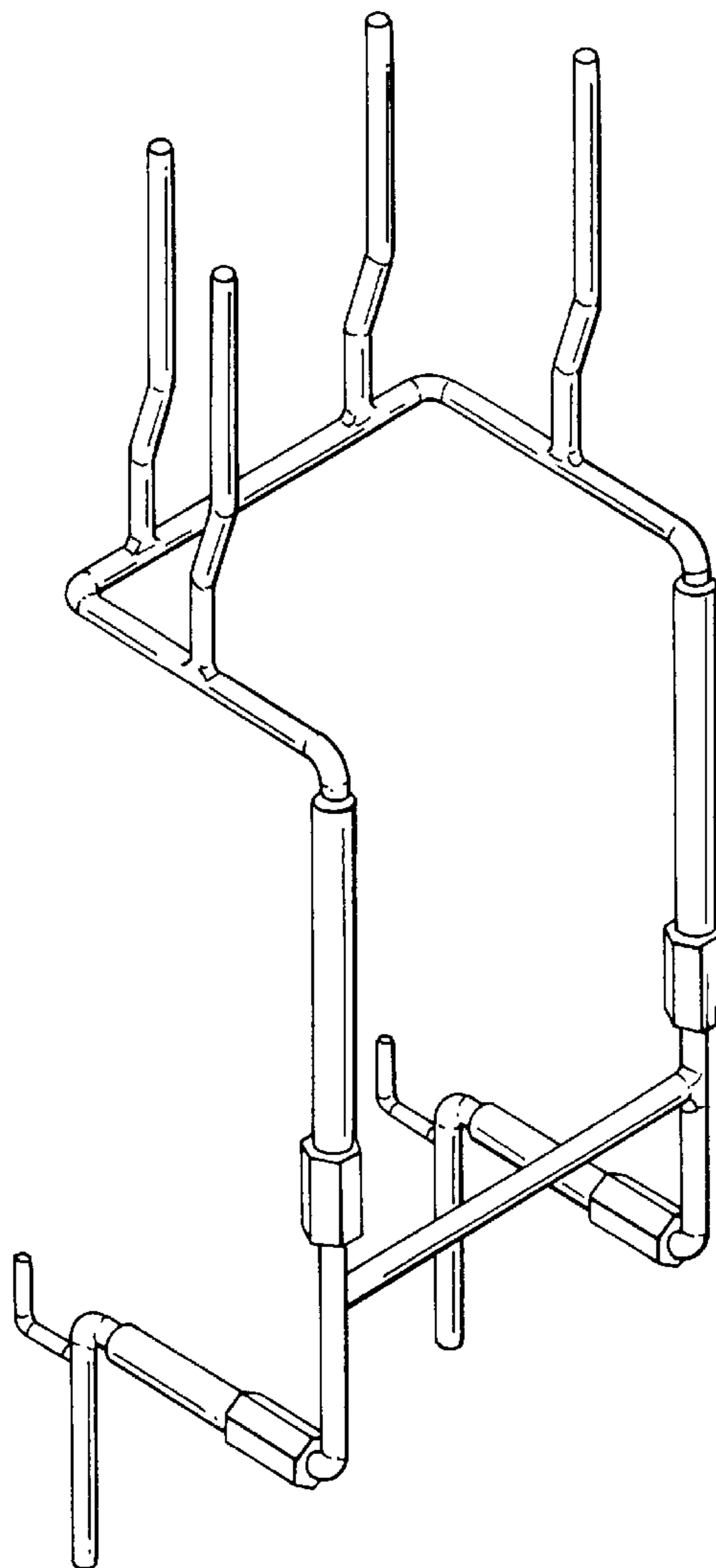
(57) **CLAIM**

The ornamental design for a wire frame for pots, pans and lids, as shown and described.

DESCRIPTION

FIG. 1 is a front perspective view of the wire frame for pots, pans and lids showing my new design; FIG. 2 is a side elevational view thereof; FIG. 3 is a front elevational view thereof; FIG. 4 is a rear elevational view thereof; FIG. 5 is a top plan view thereof; and, FIG. 6 is a bottom plan view thereof.

1 Claim, 4 Drawing Sheets



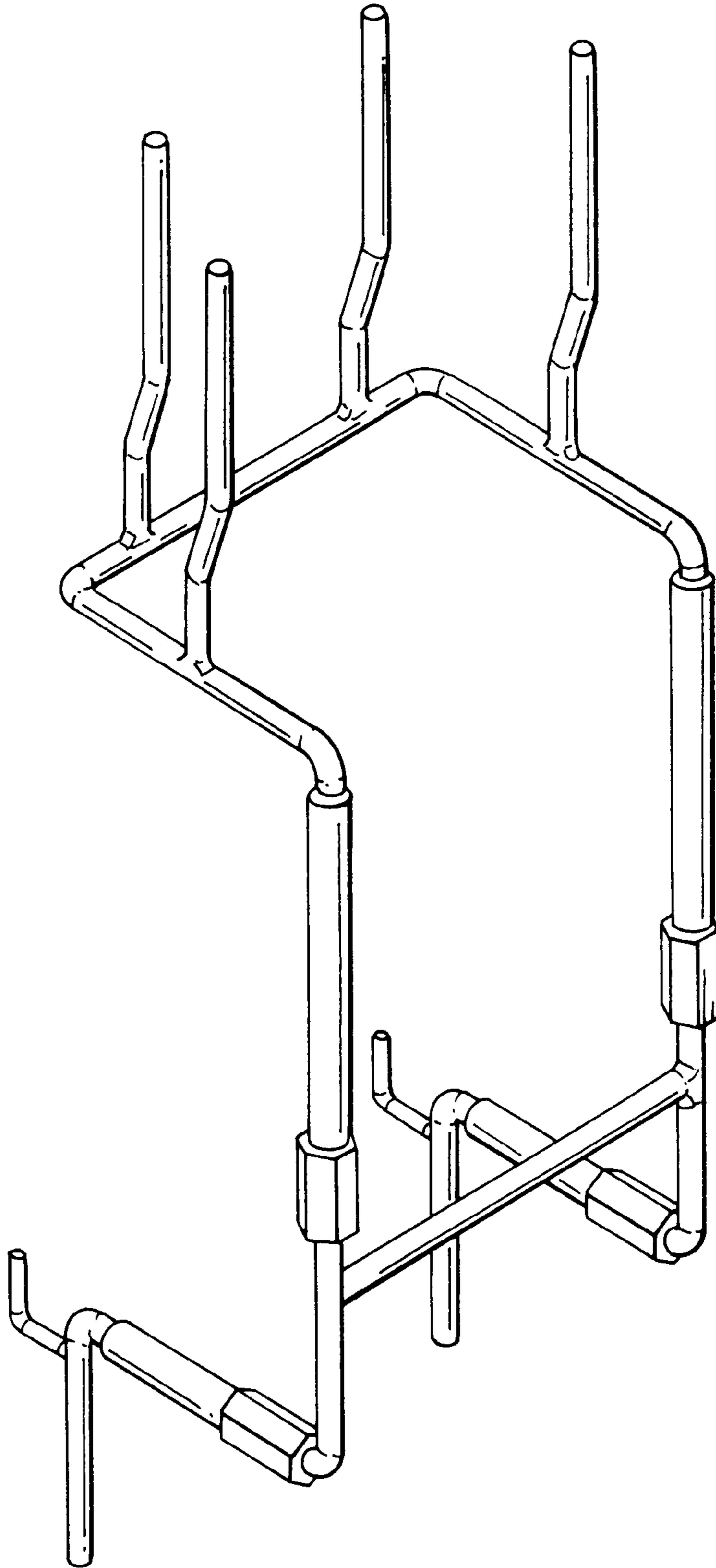


FIG. 1

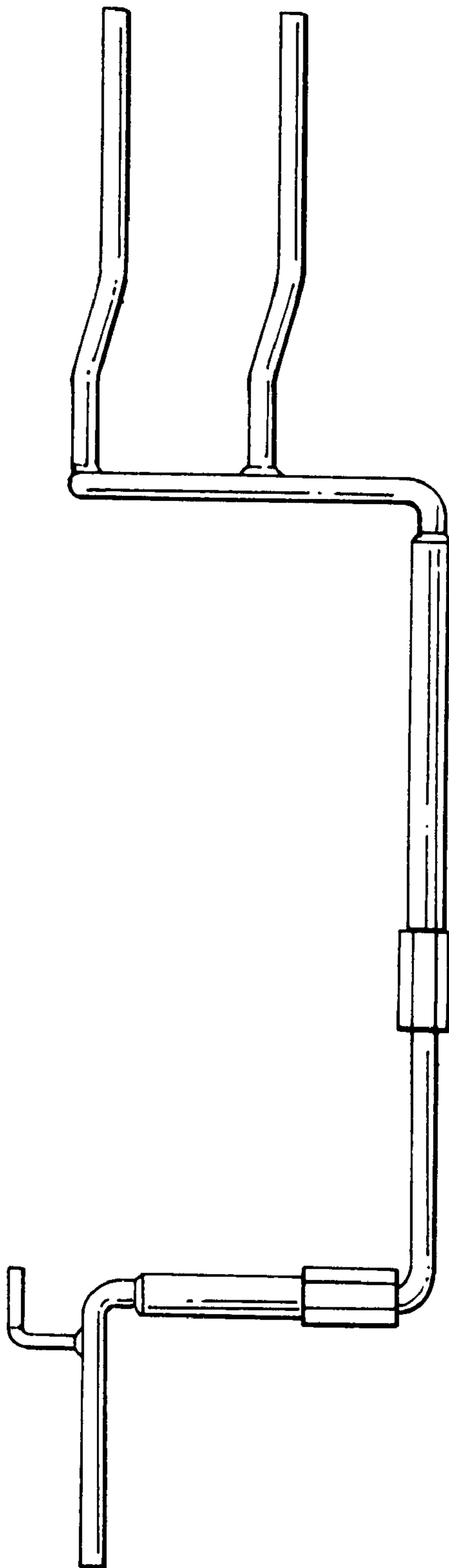


FIG. 2

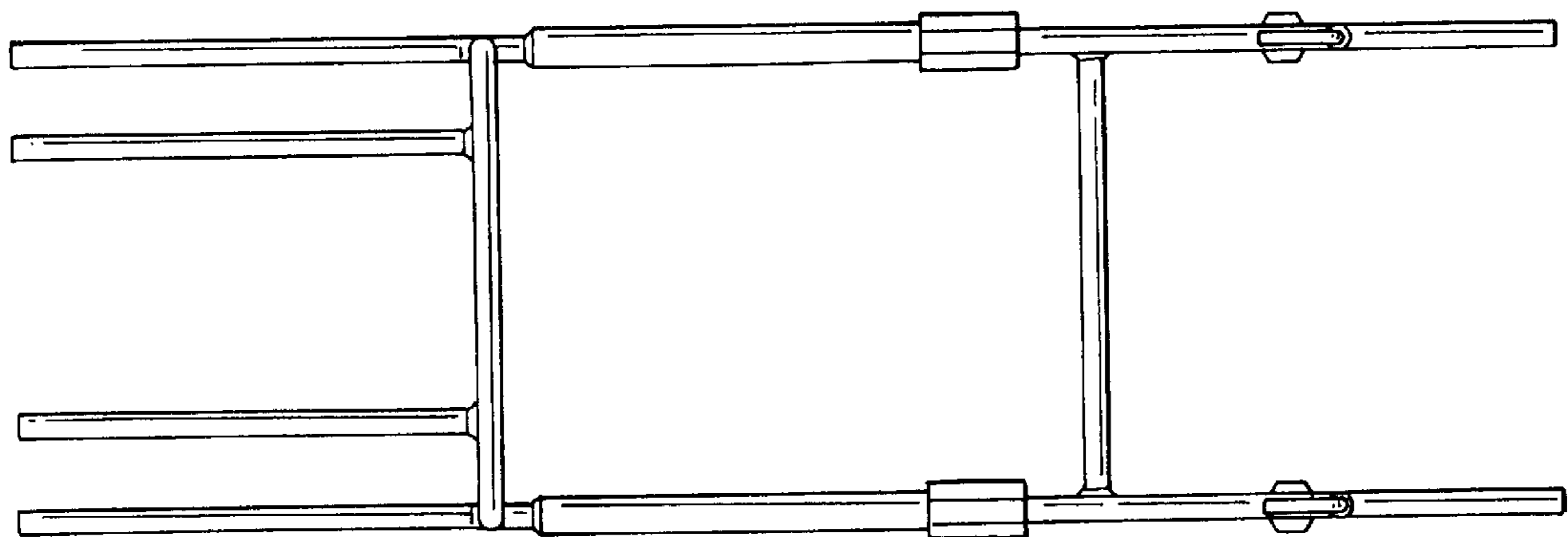


FIG. 4

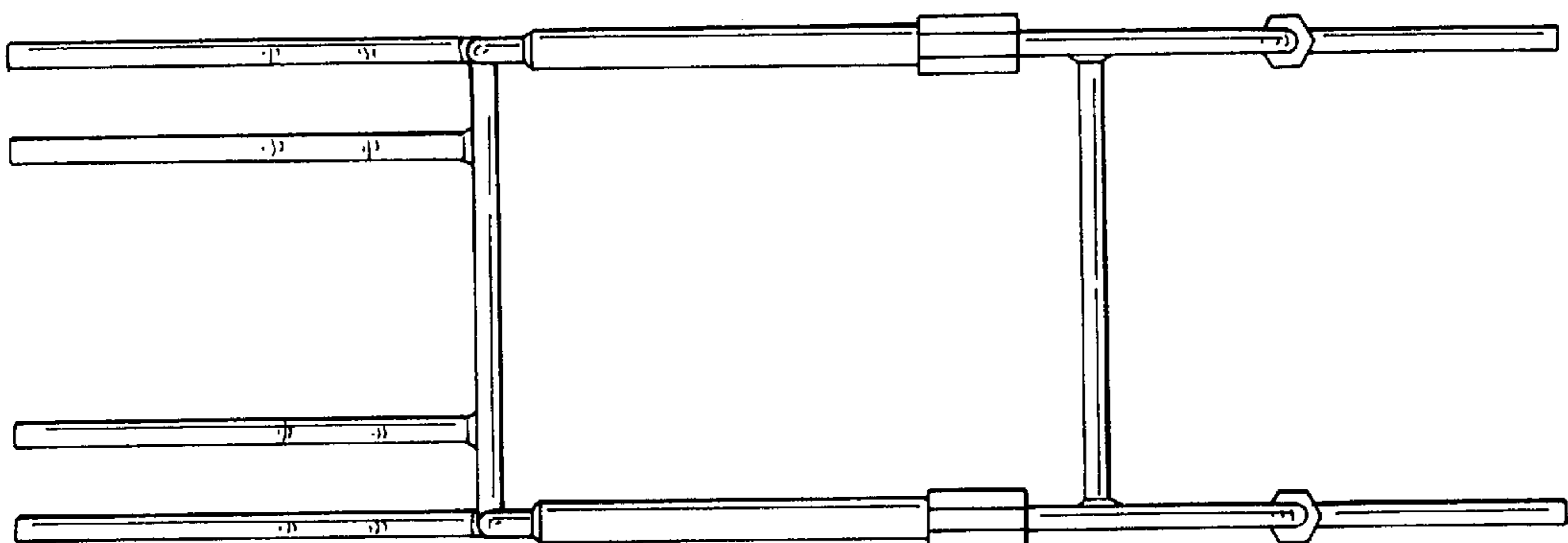


FIG. 3

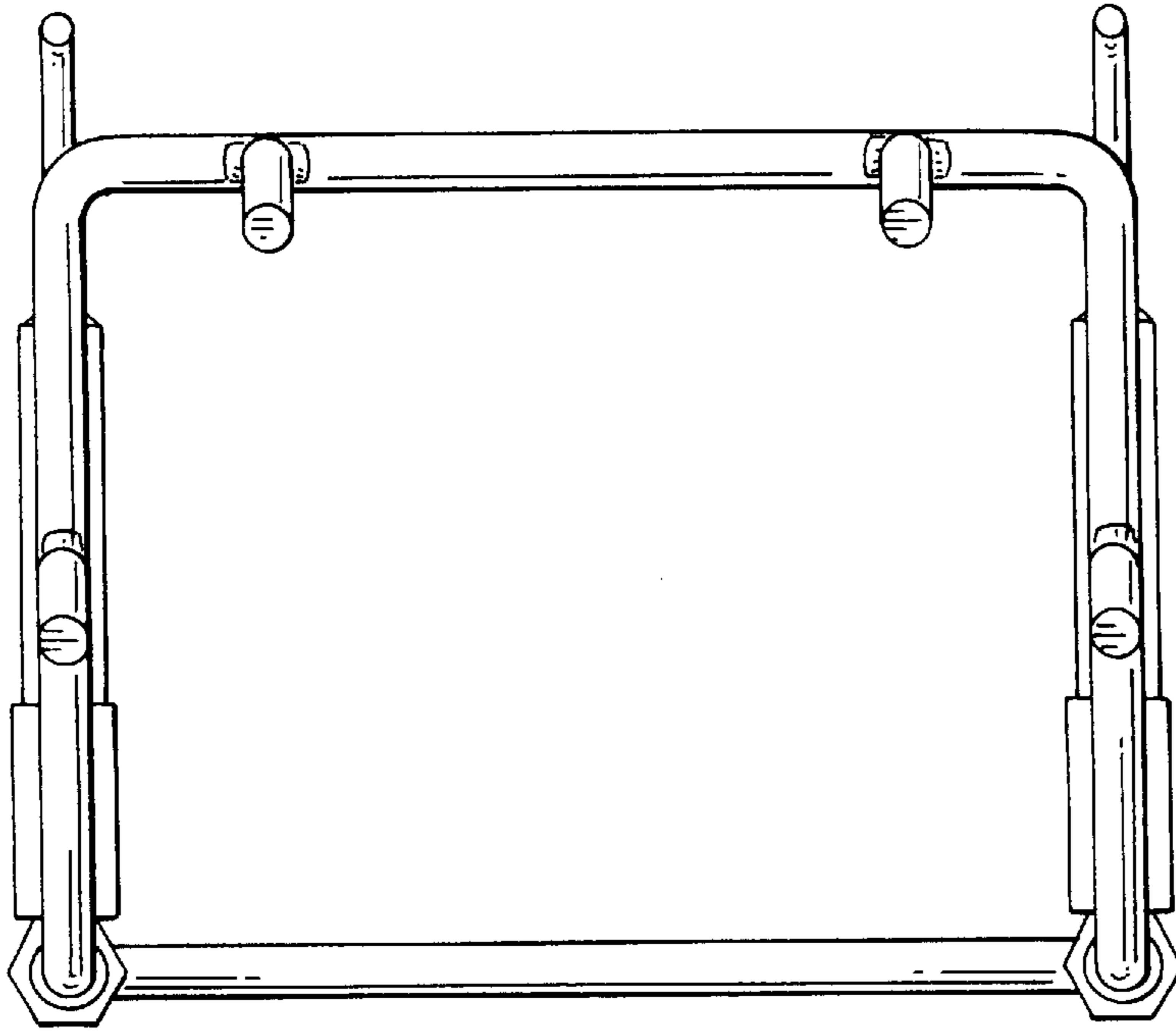


FIG. 5

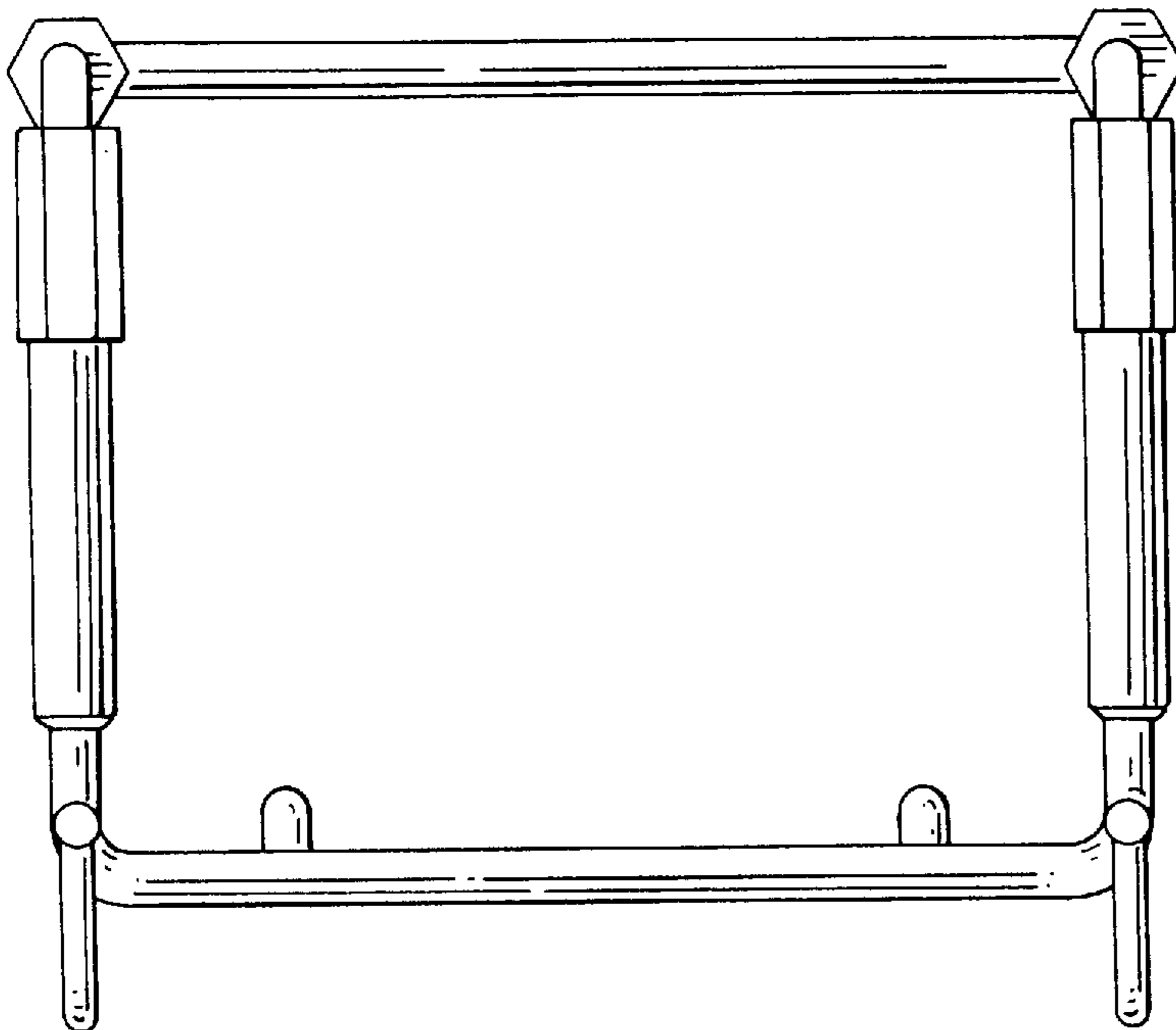


FIG. 6