



US00D480922S

(12) **United States Design Patent** (10) **Patent No.:** **US D480,922 S**
Bulcher et al. (45) **Date of Patent:** **** Oct. 21, 2003**

- (54) **PLATE HAVING CONDIMENT WELLS**
- (75) Inventors: **David J. Bulcher**, Powell, OH (US);
Matthew A. McCurdy, Marysville, OH (US);
Christina M. Tranfaglia, Glenview, IL (US);
David C. Schiltz, Columbus, OH (US)
- (73) Assignee: **Pactiv Corporation**, Lake Forest, IL (US)
- (**) Term: **14 Years**
- (21) Appl. No.: **29/170,204**
- (22) Filed: **Oct. 31, 2002**

CA 29984 11/1967
CA 790950 7/1968

(List continued on next page.)
MX 5624 10/1992

OTHER PUBLICATIONS

Design #1008240 Bibliography, Registration date Aug. 11, 1982, The Patent Office website, 8 pages.
Design #1054077 Bibliography, Registration date Oct. 6, 1988, The Patent Office website, 7 pages.
Design #2079134 Bibliography, Registration date Nov. 13, 1998, The Patent Office website, 7 pages.
Pactiv Corporation Product Information Brochure Hefty® Zoo Pals™ Pre-Packed Shelf Display (2001) 1 page.
Pactiv Corporation 2002 Promotion Support Plans Information Brochure Hefty® Zoo Pals™ Assorted Animal Plates (2001) 6 pages.
Pactiv Corporation Product Information Brochure Hefty® Zoo Pals™ Assorted Animal Plates (2001) 2 pages.
Krazy Kritters Website: <http://www.gp.com/krazykritters> (2002) 124 pages.

Primary Examiner—Doris V. Coles
Assistant Examiner—Elizabeth A. Albert
(74) *Attorney, Agent, or Firm*—Jenkins & Gilchrist

Related U.S. Application Data

- (63) Continuation-in-part of application No. 29/141,202, filed on May 1, 2001, which is a continuation-in-part of application No. 10/251,218, filed on Sep. 19, 2002, which is a continuation-in-part of application No. 10/251,705, filed on Sep. 19, 2002, which is a continuation-in-part of application No. 10/251,745, filed on Sep. 19, 2002.

- (51) **LOC (7) Cl.** **07-01**
- (52) **U.S. Cl.** **D7/553.1**
- (58) **Field of Search** D7/500, 505, 506,
D7/550.1, 551.1, 553.4, 553.5, 553.6, 553.7,
553.8, 554.1, 554.2, 555, 590, 593, 594,
595, 596, 551.3, 553.1; D9/341; 206/557,
561, 562, 563, 564; 220/23.8, 23.83, 500,
507, 556, 574, 575

CLAIM

The ornamental design for a plate having condiment wells, as shown.

DESCRIPTION

FIG. 1 is a perspective view of a plate having condiment wells;
FIG. 2 is a top view of a plate having condiment wells;
FIG. 3 is a bottom view of a plate having condiment wells;
FIG. 4 is a front-side view of a plate having condiment wells;
FIG. 5 is a back-side view of a plate having condiment wells;
FIG. 6 is a left-side view of a plate having condiment wells; and,
FIG. 7 is a right-side view of a plate having condiment wells.

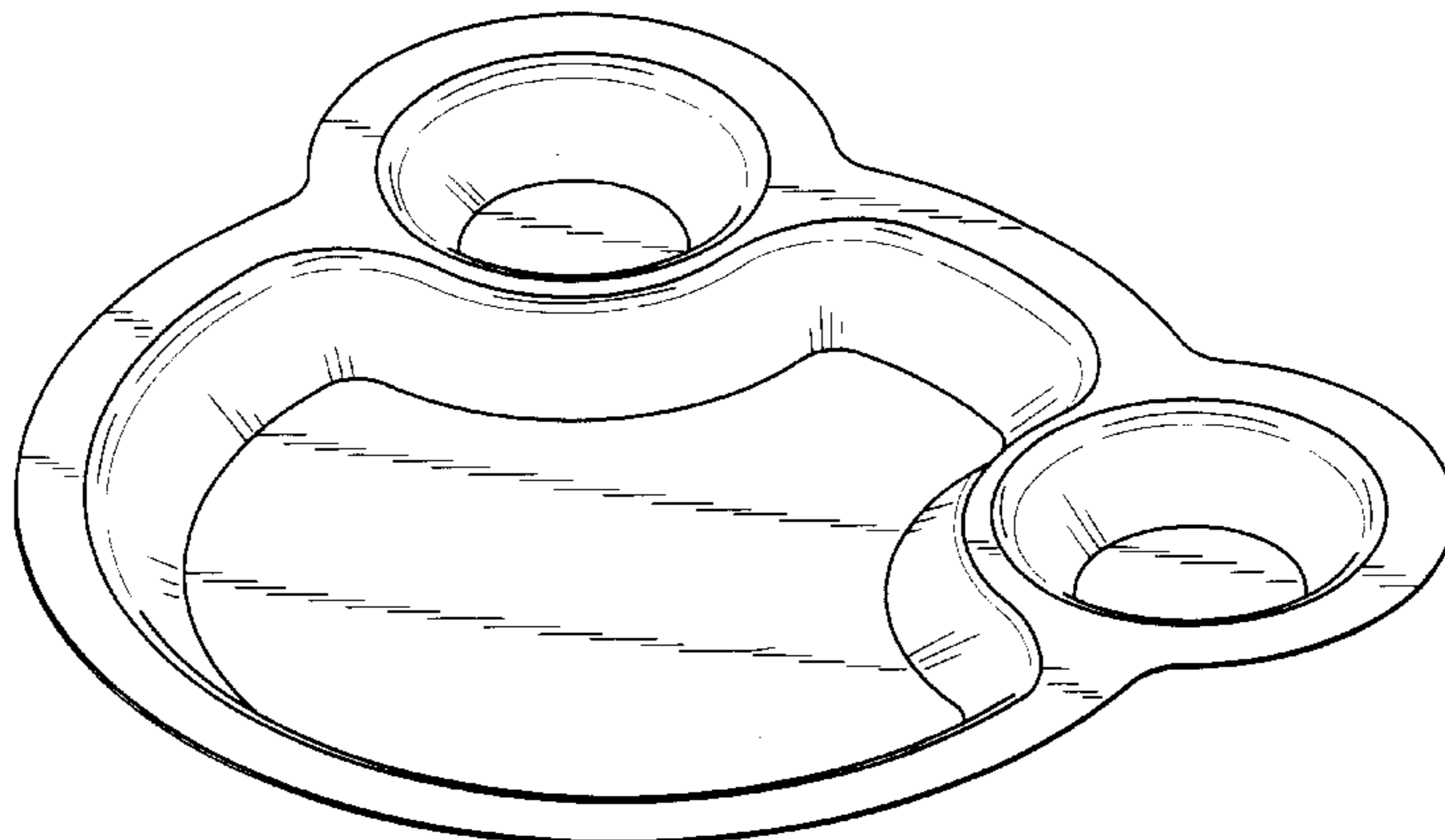
- (56) **References Cited**
- U.S. PATENT DOCUMENTS**
- 292,651 A 1/1884 Hentschke
- D30,561 S 4/1899 Schubert
- 876,808 A 1/1908 Kinert

(List continued on next page.)

FOREIGN PATENT DOCUMENTS

CA 24250 8/1961

1 Claim, 3 Drawing Sheets



US D480,922 S

Page 2

U.S. PATENT DOCUMENTS

1,520,402 A	12/1924	Clemans	
D70,480 S	6/1926	Kopel	
1,644,612 A	10/1927	Roberts	
D89,791 S	* 5/1933	Pittman	D7/555
D91,229 S	12/1933	Pyle	
2,096,825 A	10/1937	Roman	206/47
D106,782 S	11/1937	De Benque	
D145,718 S	10/1946	Geddes	
D148,419 S	1/1948	Jacobsen	D44/10
D150,666 S	8/1948	Zachary	D44/14
2,738,915 A	3/1956	St. Clair	229/2.5
D185,873 S	11/1959	Bergeron	D44/15
3,051,346 A	8/1962	Grogel	220/23.8
D194,155 S	11/1962	Gottsegen	D44/10
D195,602 S	7/1963	Bostrom	D58/11
D199,991 S	1/1965	McManamey	D44/10
3,401,863 A	9/1968	Earl	229/2.5
D218,927 S	10/1970	Artz	D9/4
D220,749 S	5/1971	Artz	D9/4
3,633,785 A	1/1972	Cyr et al.	220/20
D223,144 S	3/1972	Bloch	D9/3
D224,206 S	7/1972	Cyr et al.	
3,675,811 A	7/1972	Artz	220/20
3,708,086 A	1/1973	Colato	220/20
D233,501 S	11/1974	Zeischegg	D7/10
D235,498 S	6/1975	Day	D7/99
D235,499 S	6/1975	Day	D7/99
4,081,646 A	3/1978	Goltsos	219/10.55
D251,102 S	2/1979	Box	D7/38
D255,968 S	7/1980	Shack	D7/38
D258,632 S	3/1981	Commisso	D7/38
4,298,133 A	11/1981	Davis	220/306
D263,023 S	2/1982	Commisso	D9/3
D268,645 S	4/1983	Phillips et al.	D9/3
D280,060 S	8/1985	Holzkopf	D7/38
D283,666 S	5/1986	Holzkopf	D7/38
4,653,685 A	3/1987	Leary et al.	229/2.5
4,847,459 A	7/1989	Desai	219/10.55
D305,192 S	12/1989	van Erkel	D7/1
D305,409 S	1/1990	Michaud et al.	D9/425
D309,684 S	* 8/1990	Kohler	D7/553.4
5,004,121 A	4/1991	Howe	220/458
5,094,355 A	3/1992	Clark et al.	220/4.23
D331,860 S	12/1992	Stanfield	D7/549
5,236,119 A	8/1993	Chu	229/2.5
D341,750 S	11/1993	Scicolone	D7/546
5,322,182 A	6/1994	Fritz	220/623
D349,456 S	8/1994	Wilson	D9/347
5,335,787 A	8/1994	Finchum et al.	206/564
D352,203 S	11/1994	Campbell et al.	D7/553
5,375,701 A	12/1994	Hustad et al.	206/45.18

D375,484 S	11/1996	Leifer	D14/114
5,657,873 A	8/1997	Hustad et al.	206/764
5,657,974 A	8/1997	Williams	269/93
5,695,798 A	12/1997	Rozzano	426/115
5,697,512 A	12/1997	Brickley	220/23.8
D388,699 S	1/1998	Hayes et al.	D9/341
5,730,313 A	3/1998	Hayes et al.	220/526
5,762,231 A	6/1998	Rider, Jr. et al.	220/526
D395,983 S	7/1998	Panta Chica	D7/553
5,878,908 A	3/1999	Foley	220/575
D410,820 S	* 6/1999	Lofrano	D7/553.8
6,098,831 A	8/2000	Dibble	220/574
6,186,394 B1	2/2001	Dees et al.	229/122.34
6,364,203 B2	4/2002	Toussant et al.	229/407
6,367,649 B1	4/2002	Balakumar	220/575

FOREIGN PATENT DOCUMENTS

CA	32706	7/1970	
CA	32707	7/1970	
CA	43553	5/1978	
CA	45022	2/1979	
CA	45077	3/1979	
CA	51419	5/1983	
CA	57764	12/1986	
CA	1 222 978	6/1987 A47G/19/03
CA	1 225 342	8/1987 A47G/19/03
CA	2 067 604	3/1993 A47G/19/06
CA	2 199 706	4/1996 A47G/19/00
CA	2 105 212	4/1997 A47G/19/03
CA	83910	5/1998	
CA	2245216	2/1999 A47G/19/03
CA	2 077 636	11/1999 A47G/19/03
CA	2 328 709	5/2000 A47G/19/03
CA	2 313 181	1/2001 A47G/19/03
CA	2 313 183	1/2001 A47G/19/03
CA	2 313 593	1/2001 A47G/19/03
CA	2 232 341	4/2001 A47G/19/03
CA	2 317 313	3/2002 A47G/19/02
GB	2044226	10/1980	
GB	2078095	1/1982	
GB	2 163 730 A	3/1986 B65D/1/22
GB	2 203 130 A	10/1988 B65D/1/22
GB	2 205 064 A	11/1988 B29C/51/02
GB	2 219 271 A	12/1989 B65D/1/00
GB	2 259 640 A	3/1993 A47G/23/06
GB	2 271 983 A	5/1994 B65D/1/35
GB	2 276 531 A	10/1994 B65D/1/36
GB	2 290 741	1/1996 A47G/19/03
GB	2 285 406 B	7/1997 A47G/19/03
GB	2 324 707 A	11/1998 B65D/81/32
GB	2 331 290 A	5/1999 B65D/1/34

* cited by examiner

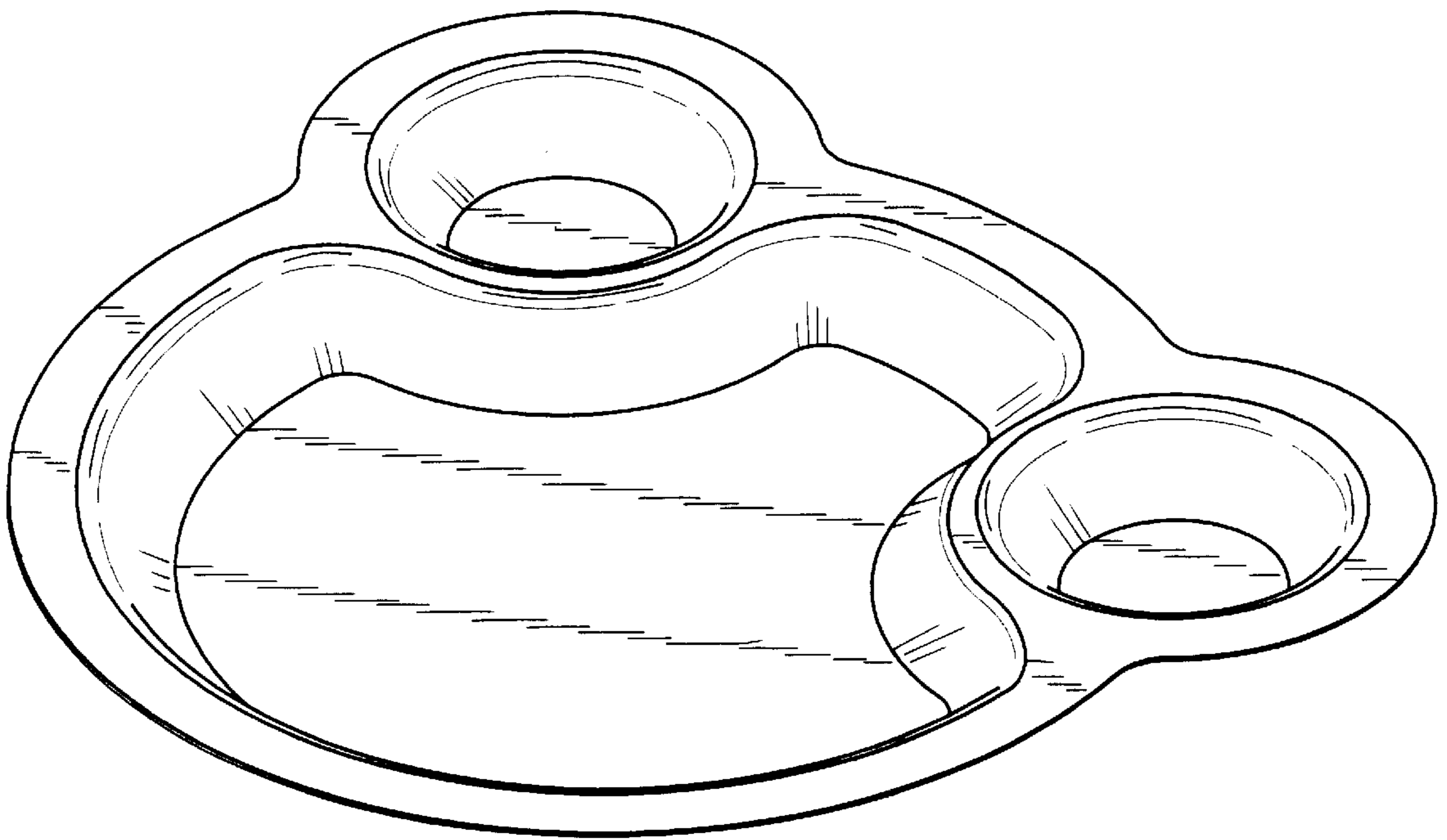


FIG. 1

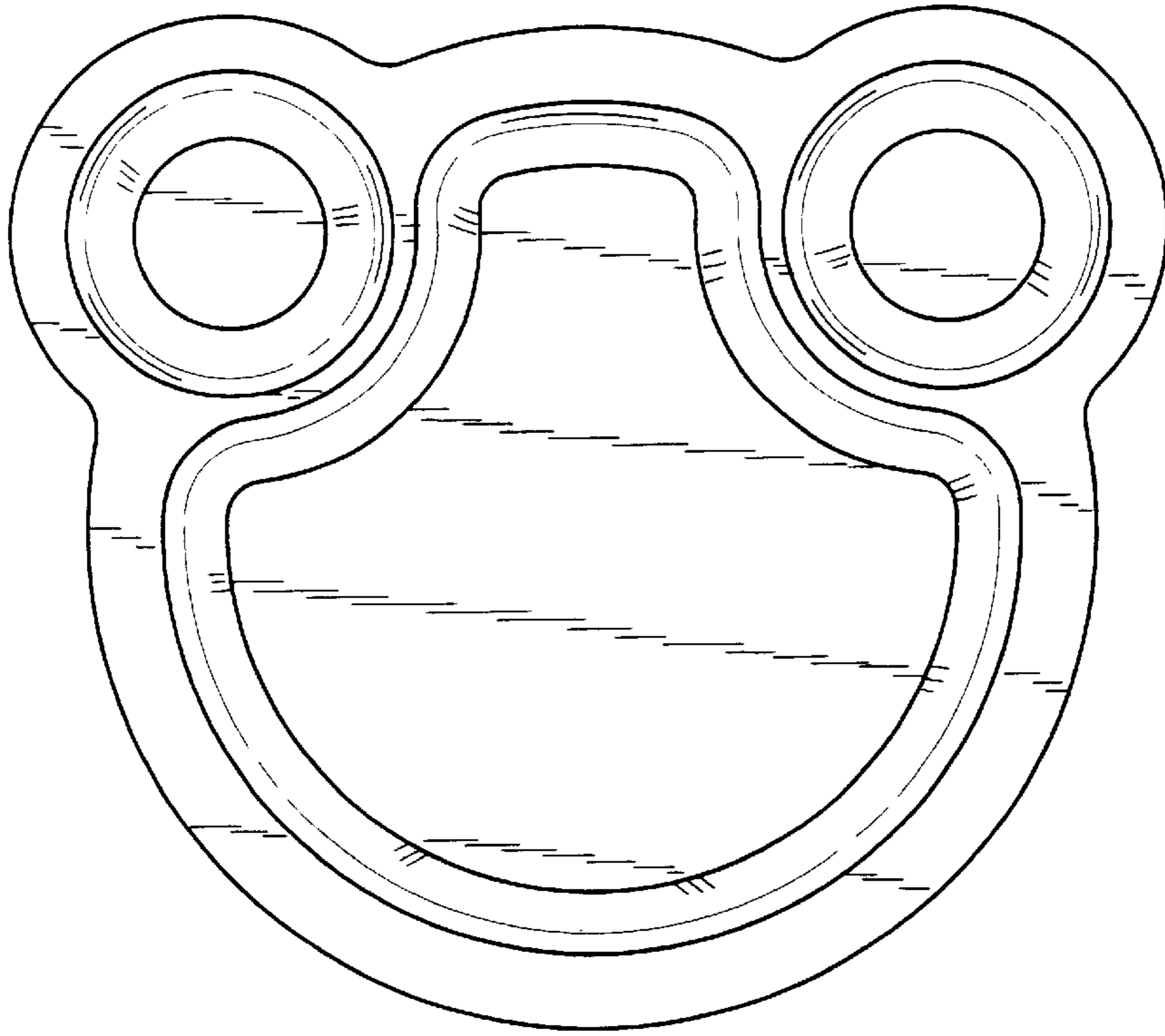


FIG. 2

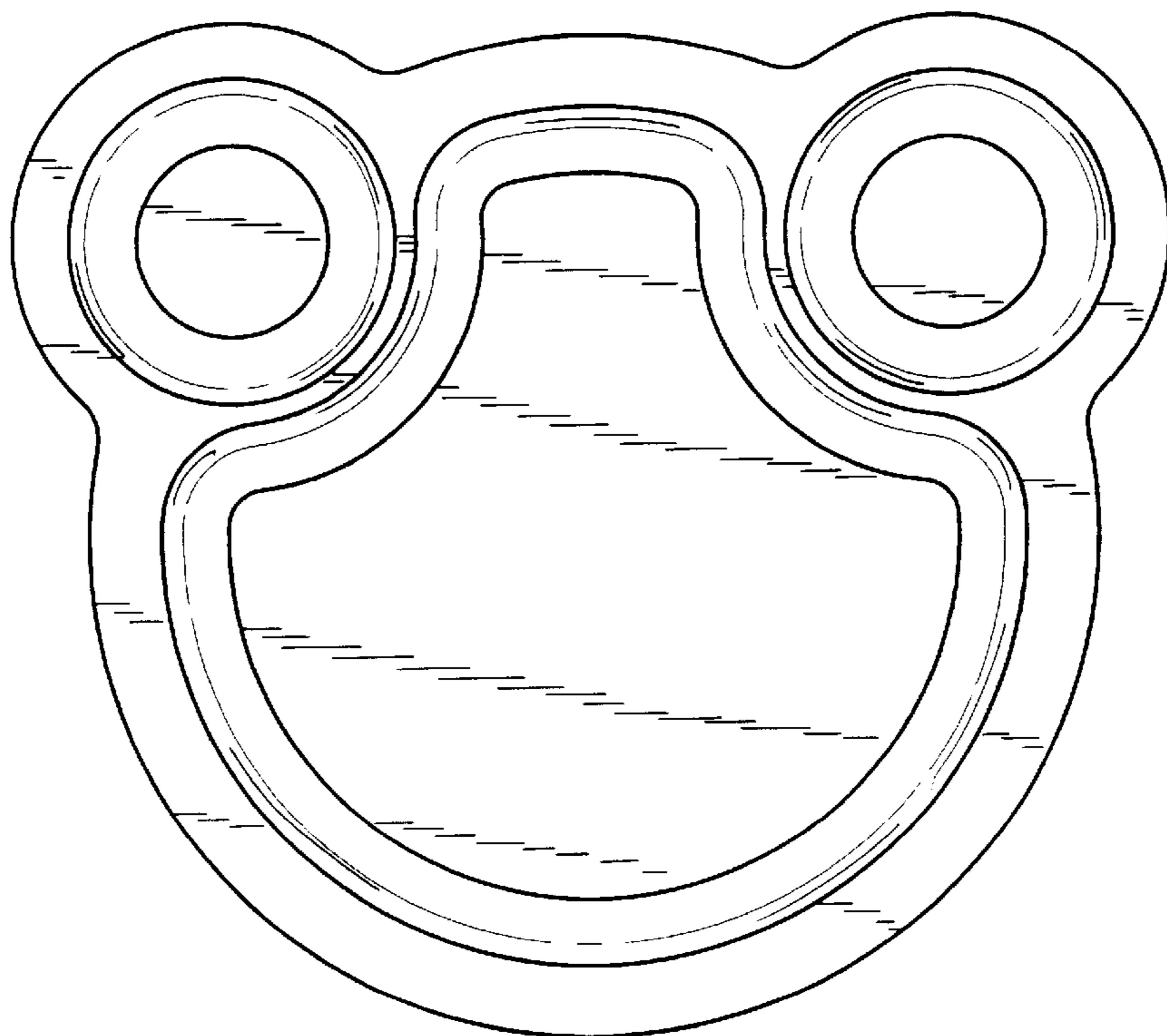


FIG. 3

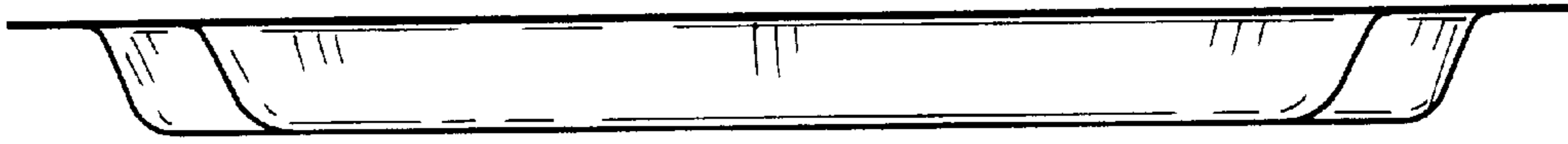


FIG. 4

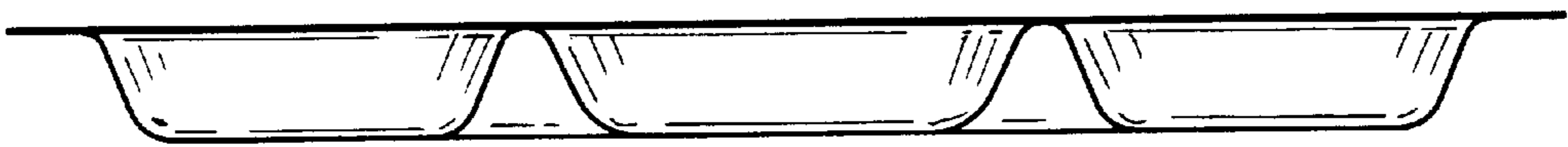


FIG. 5

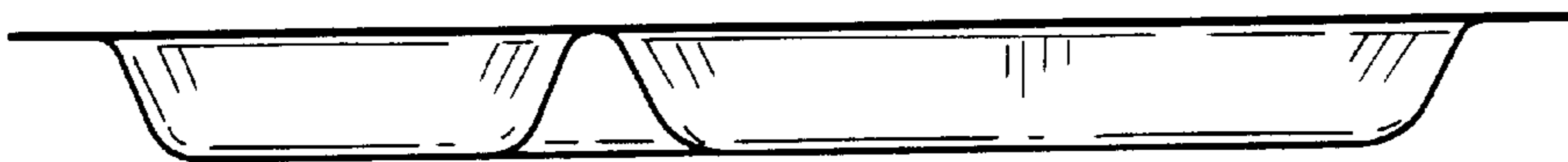


FIG. 6

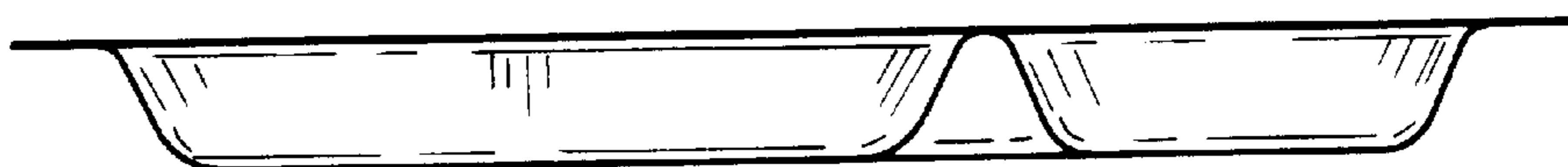


FIG. 7