



US00D480919S

(12) **United States Design Patent**
Bin

(10) **Patent No.:** **US D480,919 S**

(45) **Date of Patent:** **** Oct. 21, 2003**

(54) **WIDE RIM BEVERAGE HOLDER**

(75) Inventor: **Jin Xue Bin**, House 337, Bi Lai Yuan,
Morning Star Villa, Gangkou Town,
Zhongshan (CN)

(73) Assignee: **Jin Xue Bin**, Kowloon (HK)

(**) Term: **14 Years**

(21) Appl. No.: **29/168,832**

(22) Filed: **Oct. 8, 2002**

(51) **LOC (7) Cl.** **07-01**

(52) **U.S. Cl.** **D7/533; D7/510; D7/511**

(58) **Field of Search** **D7/510, 511, 533,**
D7/536; 220/705, 729, 710, 297, 717, 713,
711; 215/388, 387; 222/568

(56) **References Cited**

U.S. PATENT DOCUMENTS

| | | | | | |
|------------|---|--------|---------|-------|--------|
| D231,068 S | * | 4/1974 | Douglas | | D7/533 |
| D420,254 S | * | 2/2000 | Park | | D7/510 |
| D422,842 S | * | 4/2000 | Freed | | D7/533 |
| D439,473 S | * | 3/2001 | Lin | | D7/510 |

| | | | | | |
|------------|---|---------|----------------|-------|--------|
| D458,082 S | * | 6/2002 | Gluck | | D7/510 |
| D462,575 S | * | 9/2002 | Gluck | | D7/510 |
| D462,578 S | * | 9/2002 | Janky | | D7/533 |
| D467,124 S | * | 12/2002 | Janky | | D7/533 |
| D469,309 S | * | 1/2003 | Janky | | D7/510 |
| D472,425 S | * | 4/2003 | Hurlbut et al. | | D7/510 |
| D475,578 S | * | 6/2003 | Hurlbut et al. | | D7/533 |

* cited by examiner

Primary Examiner—M. N. Pandozzi

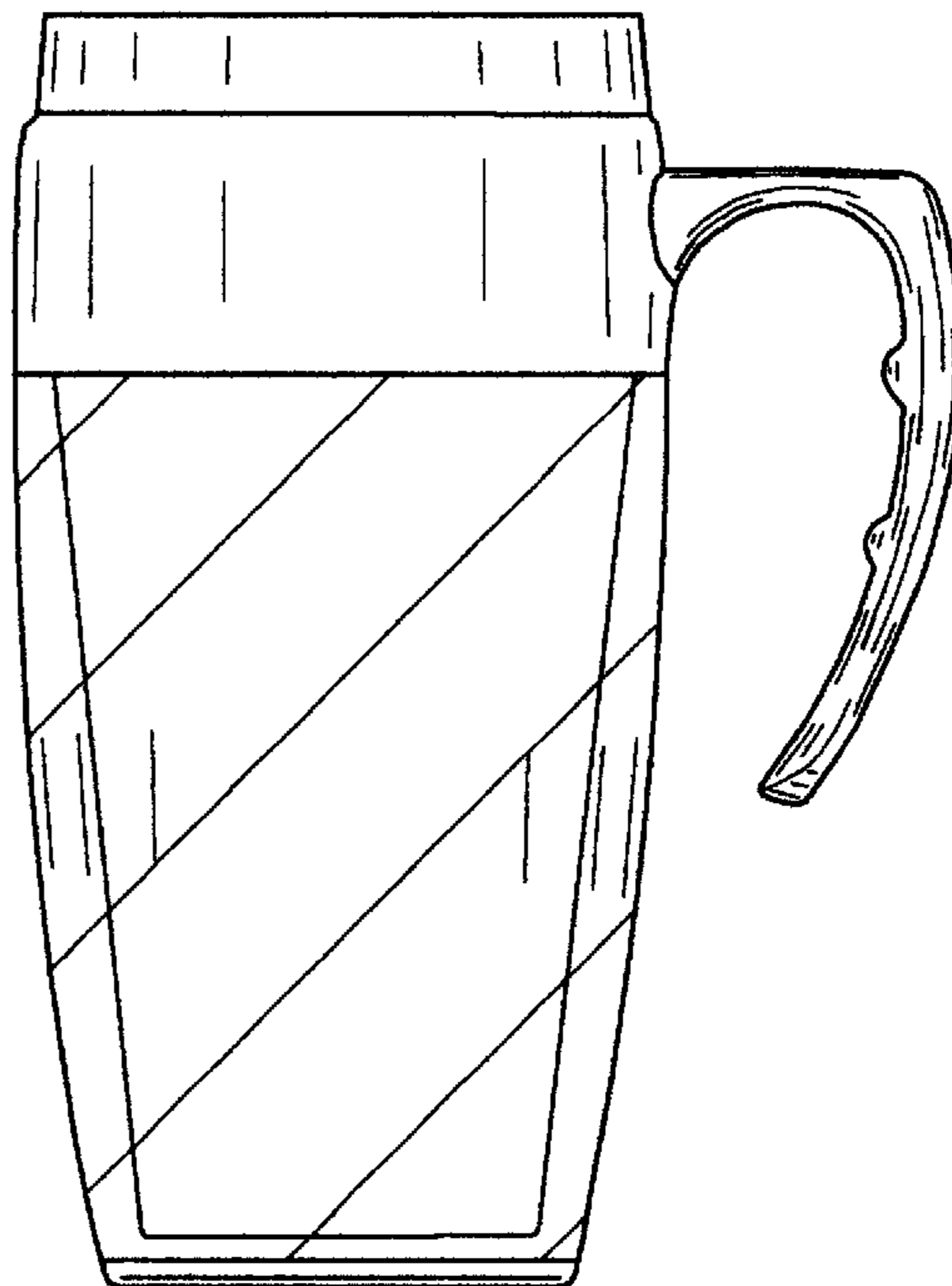
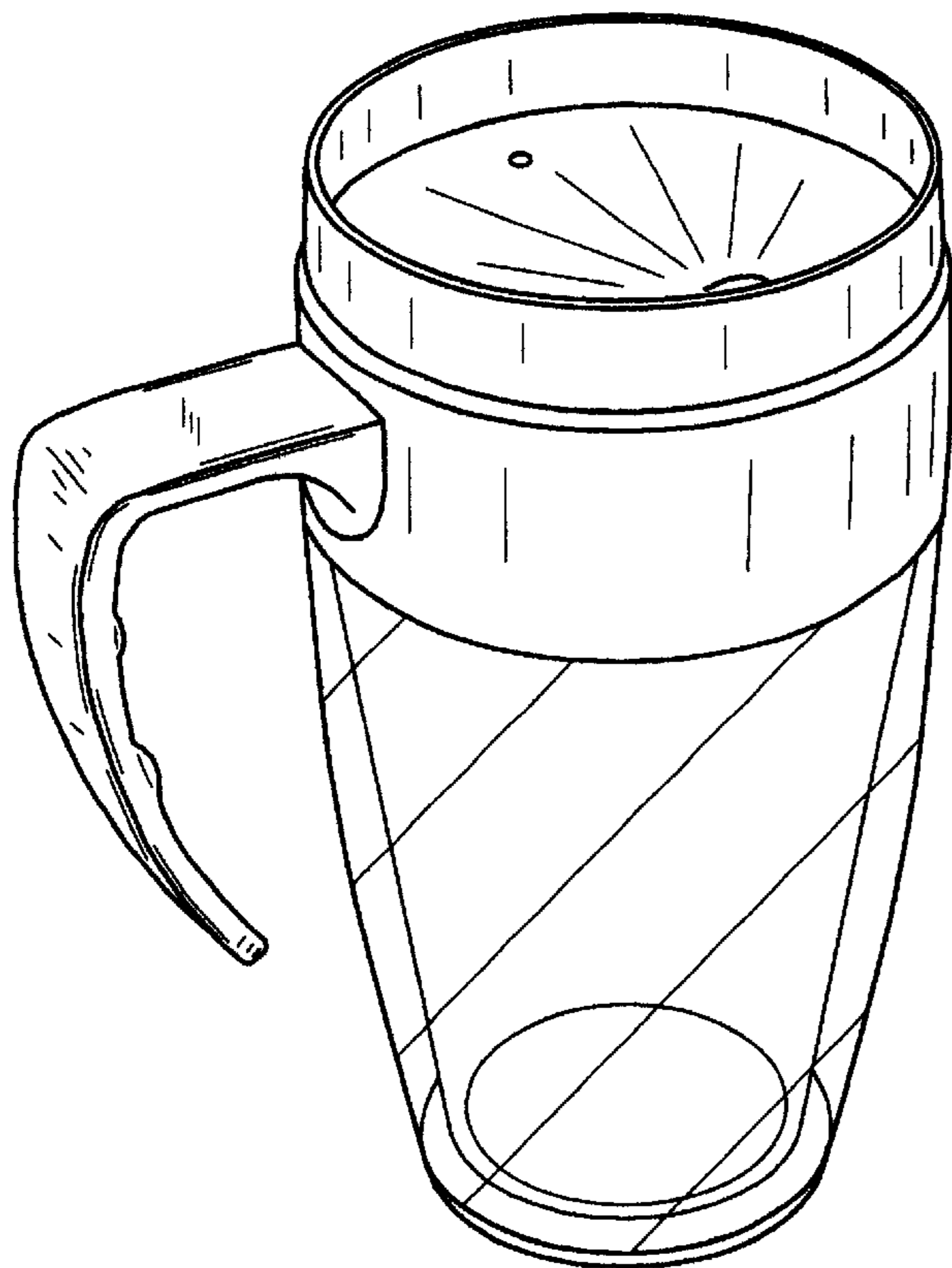
(57) **CLAIM**

The ornamental design for “wide rim beverage holder”, is substantially as shown and described.

DESCRIPTION

FIG. 1 is a view from the upper and left perspective of “wide rim beverage holder” showing my new design;
FIG. 2 is a top view thereof.
FIG. 3 is a bottom view thereof.
FIG. 4 is a left side view in elevation thereof.
FIG. 5 is a right side view in elevation thereof.
FIG. 6 is a front view in elevation thereof; and,
FIG. 7 is a rear view in elevation thereof.

1 Claim, 3 Drawing Sheets



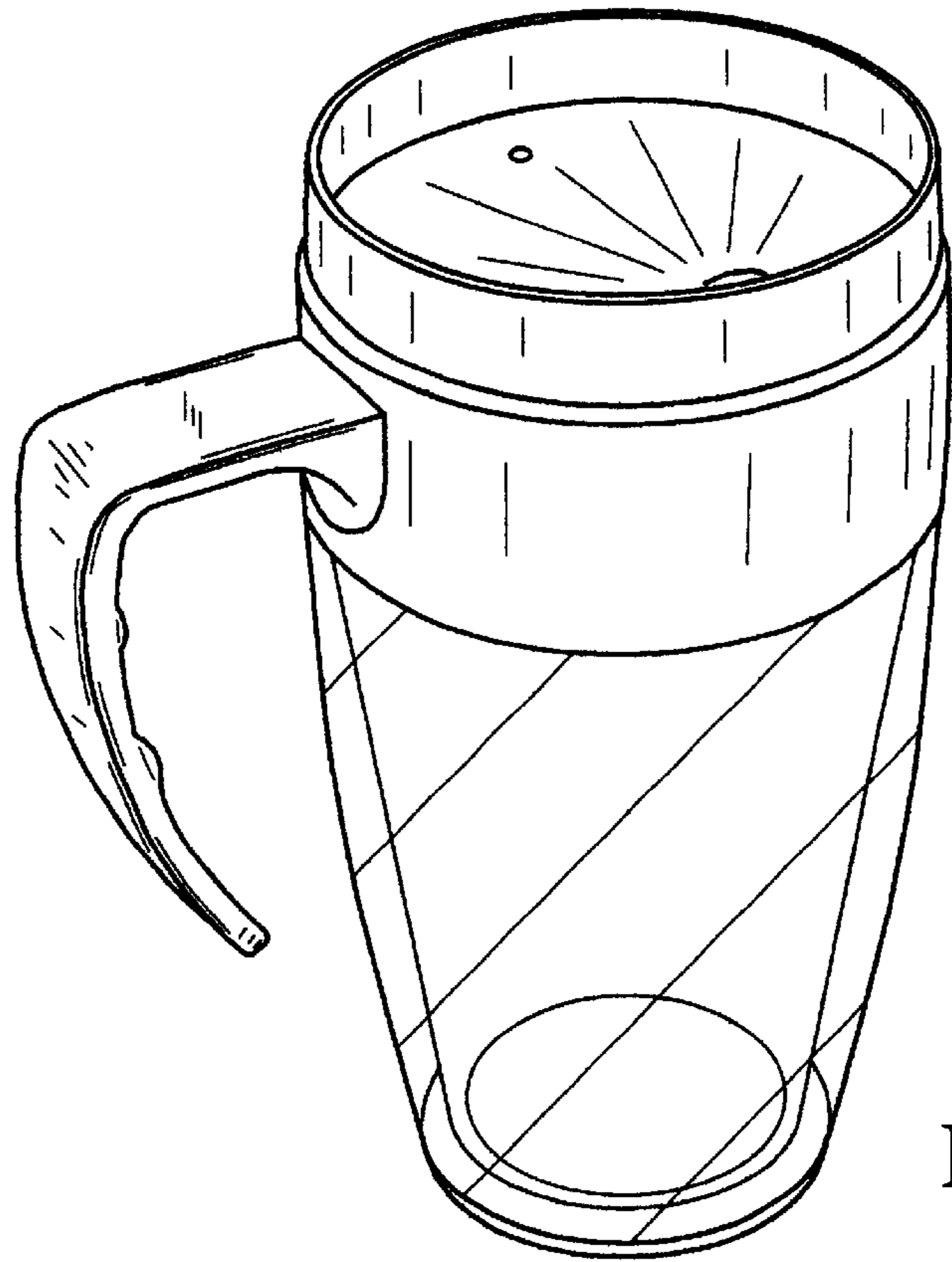


Fig. 1

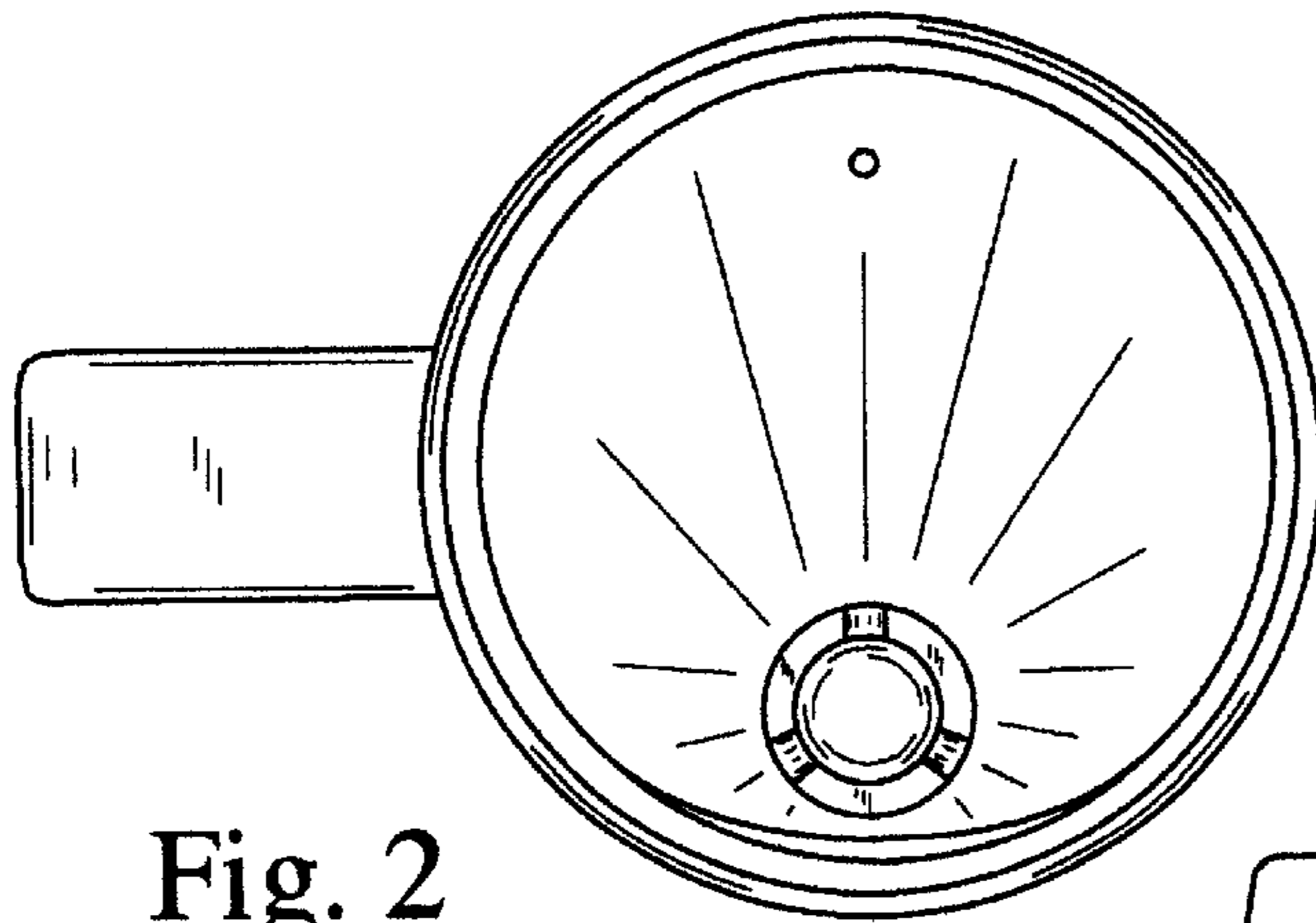


Fig. 2

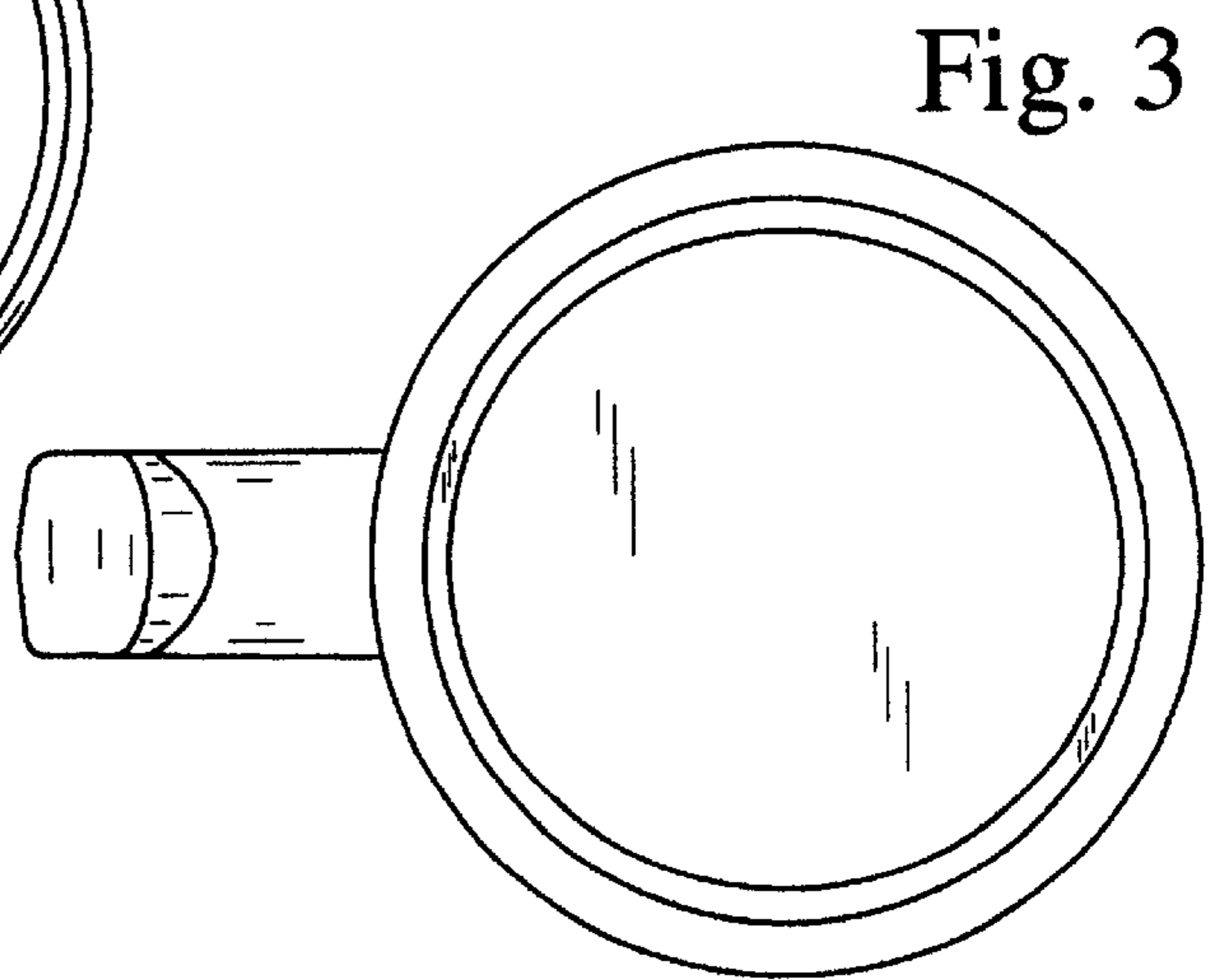


Fig. 3

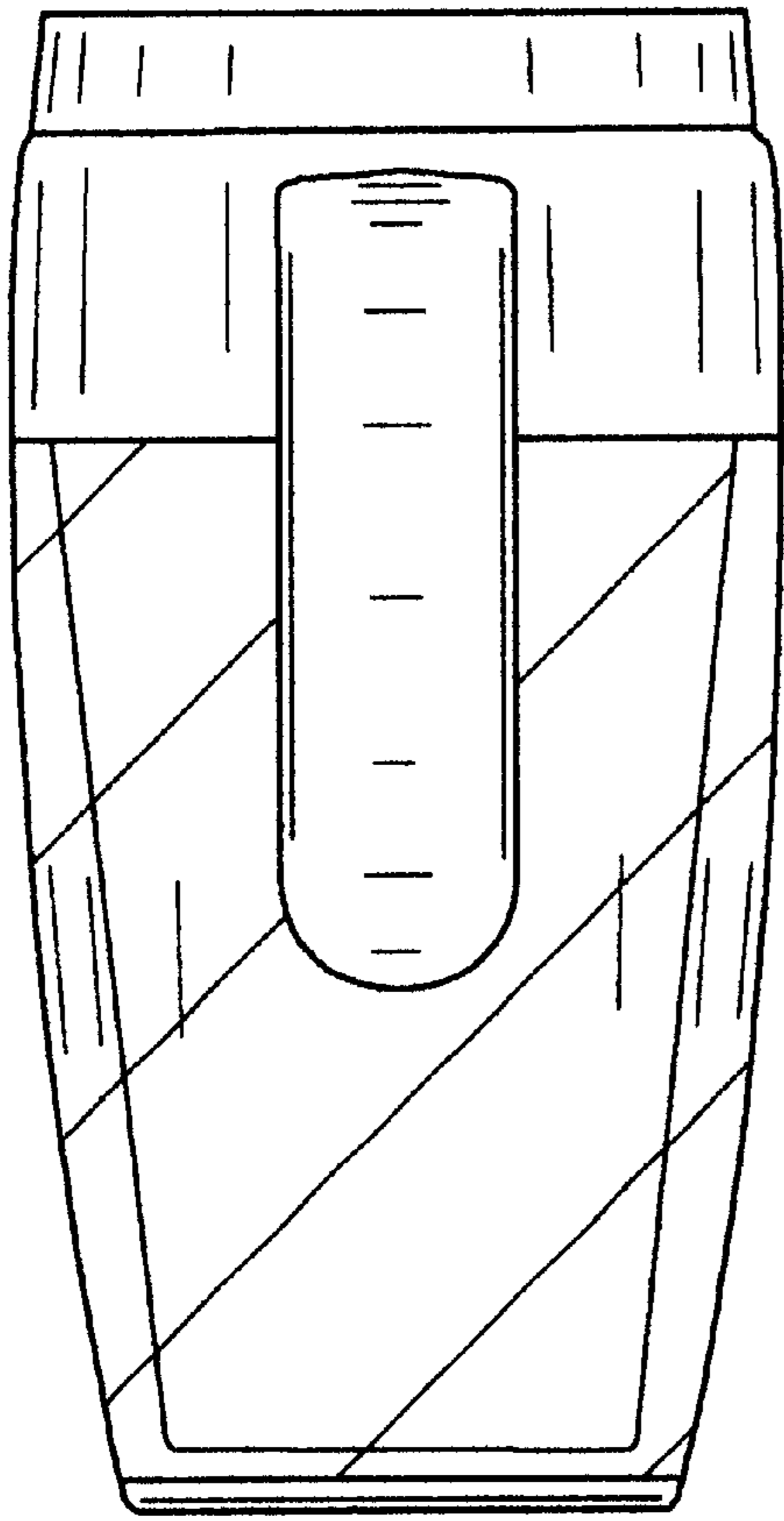


Fig 4

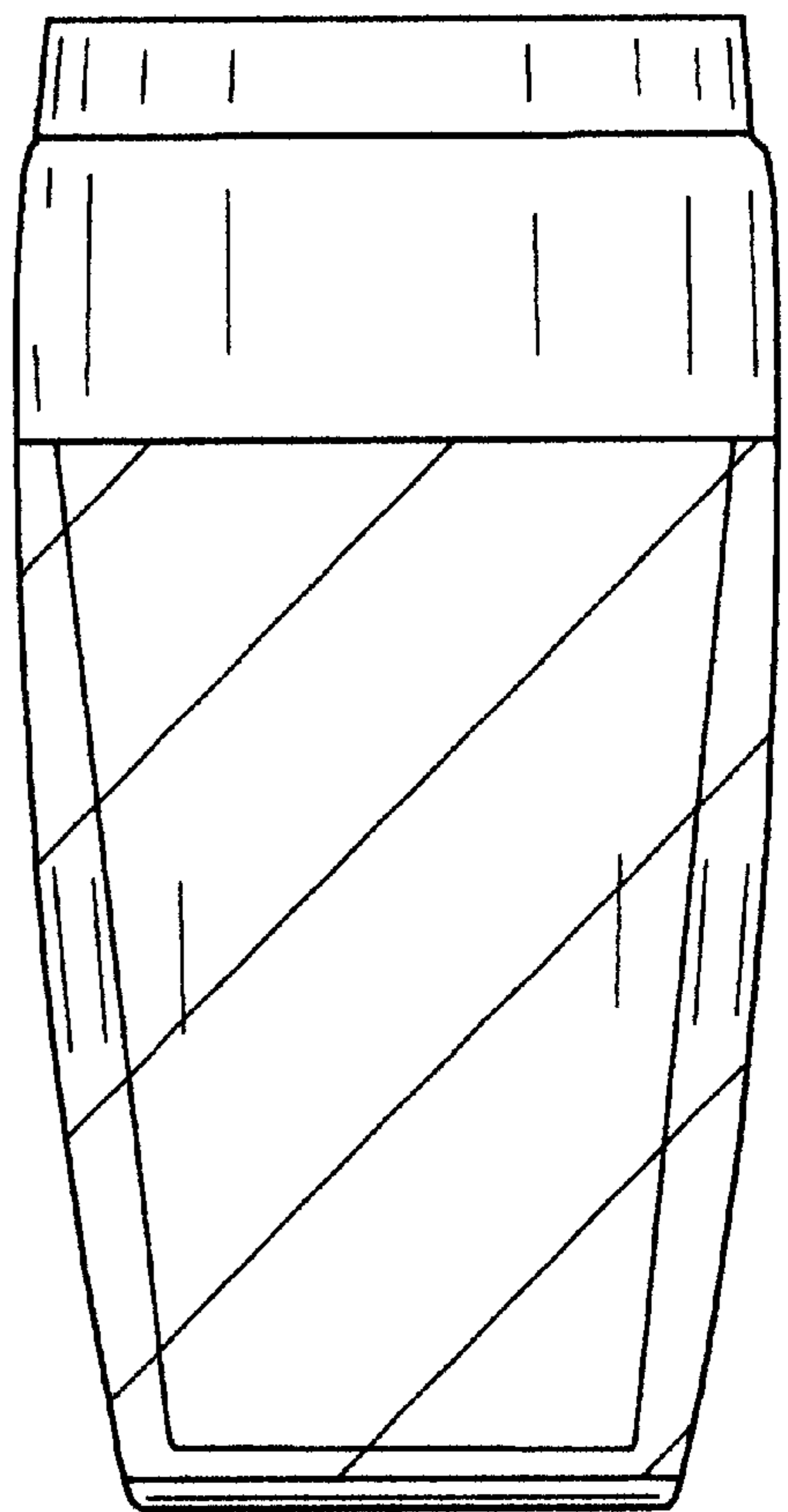


Fig.5

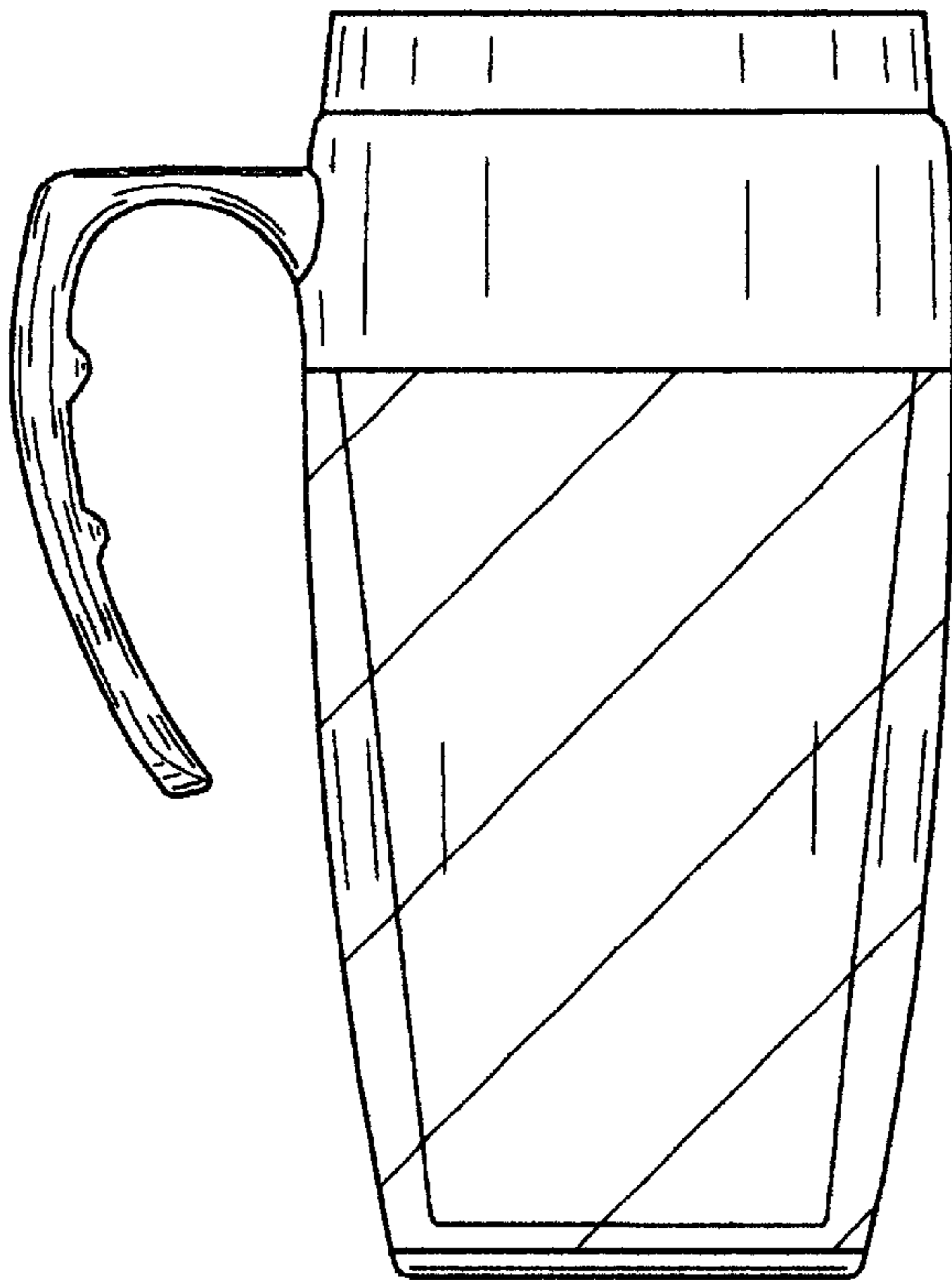


Fig. 6

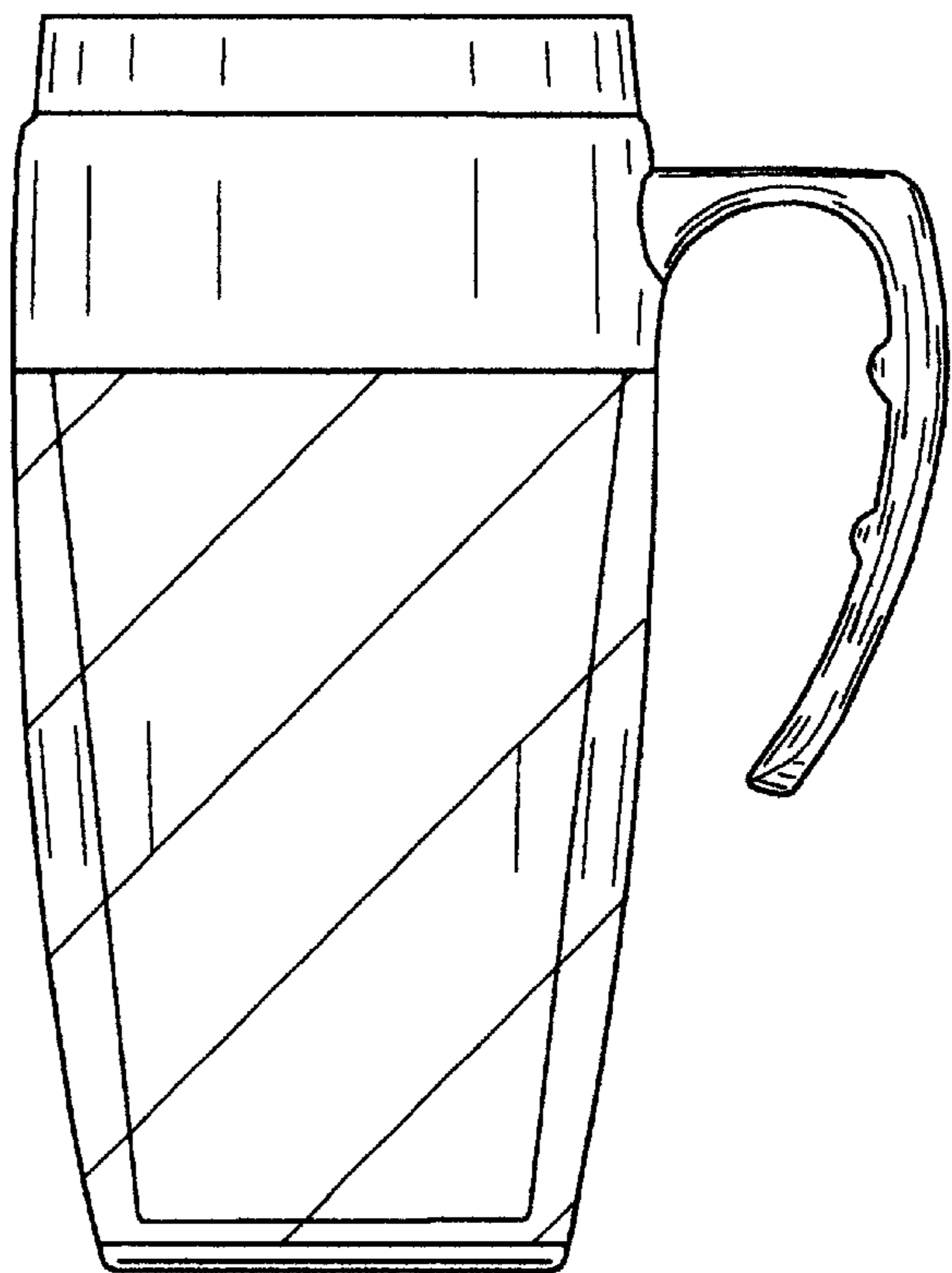


Fig. 7