



US00D480915S

(12) **United States Design Patent** (10) **Patent No.:** **US D480,915 S**
Kolar et al. (45) **Date of Patent:** **** Oct. 21, 2003**

(54) **CONTAINER FOR A BLENDER**

(75) Inventors: **David J. Kolar**, Stow, OH (US);
Richard D. Boozer, Wakeman, OH (US); **Bastiaan H. Van Besouw**,
Strongsville, OH (US); **Robert M. Ulanski**, Broadview Heights, OH (US)

(73) Assignee: **Vita-Mix Corporation**, Cleveland, OH (US)

(**) Term: **14 Years**

(21) Appl. No.: **29/175,120**

(22) Filed: **Jan. 30, 2003**

(51) **LOC (7) Cl.** **31-00**

(52) **U.S. Cl.** **D7/413**

(58) **Field of Search** D7/376-386, 412-415;
241/30, 36, 101.1-101.8; 366/64-67, 129,
130, 197-207, 241-254, 341, 349

(56) **References Cited**

U.S. PATENT DOCUMENTS

D228,698 S	*	10/1973	Barnard, Jr. et al.	D7/378
D336,590 S		6/1993	Barnard	D7/378
D429,956 S	*	8/2000	Bohannon, et al.	D7/413
D435,192 S		12/2000	Bohannon, Jr. et al.	D7/413

OTHER PUBLICATIONS

Brochure "The World's Best Blender Is . . .", K-Tec, Lindon, Utah, 4 pages, (undated).
Brochure "Margarita Madness", Waring Commercial, New Hartford, Connecticut, 2 pages, (undated).
Brochure excerpt "Hamilton Beach", Hamilton Beach Commercial, Washington, North Carolina, 4 pages, (8/98).
Brochure "Model 990 1 Gallon Blender", Hamilton Beach Commercial, Washington, North Carolina, 2 pages, (11/92).
Brochure "K-Tec's Champ "The Sound" Solution!", K-Tec, Lindon, Utah, 2 pages (undated).
Brochure "vita-prep™ The Professional Chef's Power Tool", Vita-Mix Corporation, Cleveland, Ohio, 4 pages (5/98).

Brochure "Vita-Pro®—The Difference is Clear", Vita-Mix Corporation, Cleveland, Ohio, 2 pages, (7/01).
Brochure excerpt "Frozen Drinks As Simple As 1-2-3", Vita-Mix Corporation, Cleveland, Ohio, 2 pages (10/02).
Brochure excerpt "barboss The Professional Bartender's Blender", Vita-Mix Corporation, Cleveland, Ohio, 1 page (11/02).
Brochure excerpt "Vita-Mix® Two-Speed Drink Machine™ The World's Best Blender Does it All!", Vita-Mix Corporation, Cleveland, Ohio, 1 page (undated).
Brochure "What more can the world's best blender offer? More quiet.", Vita-Mix Corporation, Cleveland, Ohio, 4 pages, (4/98).
Brochure excerpt "Get Trim & Fit Fast", Vita-Mix Corporation, Cleveland, Ohio, 7 pages, (1/99).

* cited by examiner

Primary Examiner—Caron D. Veynar
(74) *Attorney, Agent, or Firm*—Renner, Kenner, Greive, Bobak, Taylor & Weber

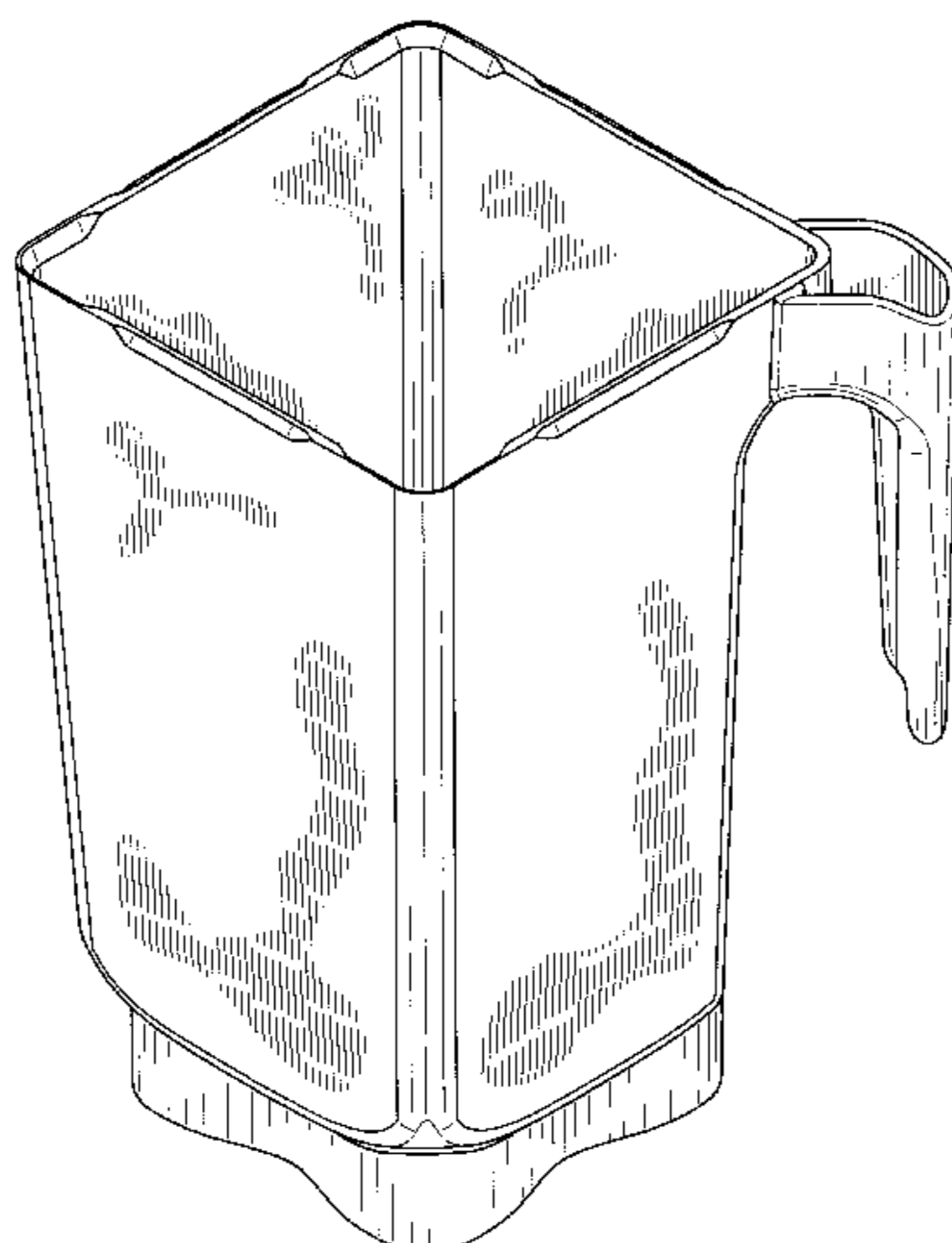
(57) **CLAIM**

The ornamental design for a container for a blender, as shown and described.

DESCRIPTION

FIG. 1 is a top, first side and second side perspective view of a container for a blender showing our new design, the first side being attached to a portion of a handle;
FIG. 2 is a side elevational view of the second side thereof, the side elevational view of the side opposite to the first side being a mirror image of this FIG. 2;
FIG. 3 is a side elevational view of the first side thereof, the side elevational view of the side opposite to the second side being a mirror image of this FIG. 3;
FIG. 4 is a top plan view thereof;
FIG. 5 is a bottom plan view thereof;
FIG. 6 is a sectional view taken substantially along line 6—6 of FIG. 4; and,
FIG. 7 is a sectional view taken substantially along line 7—7 of FIG. 5.

1 Claim, 6 Drawing Sheets



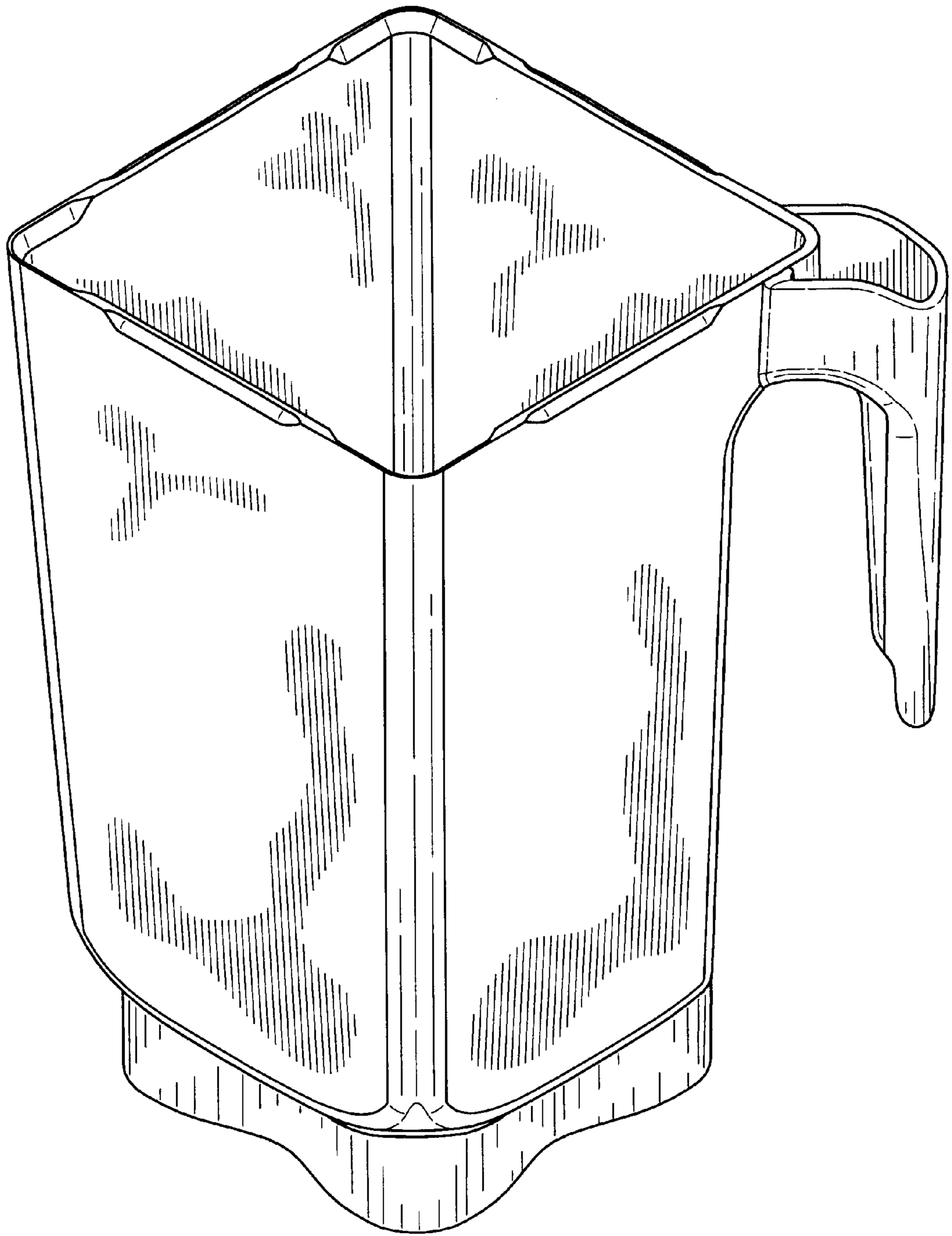


FIG-1

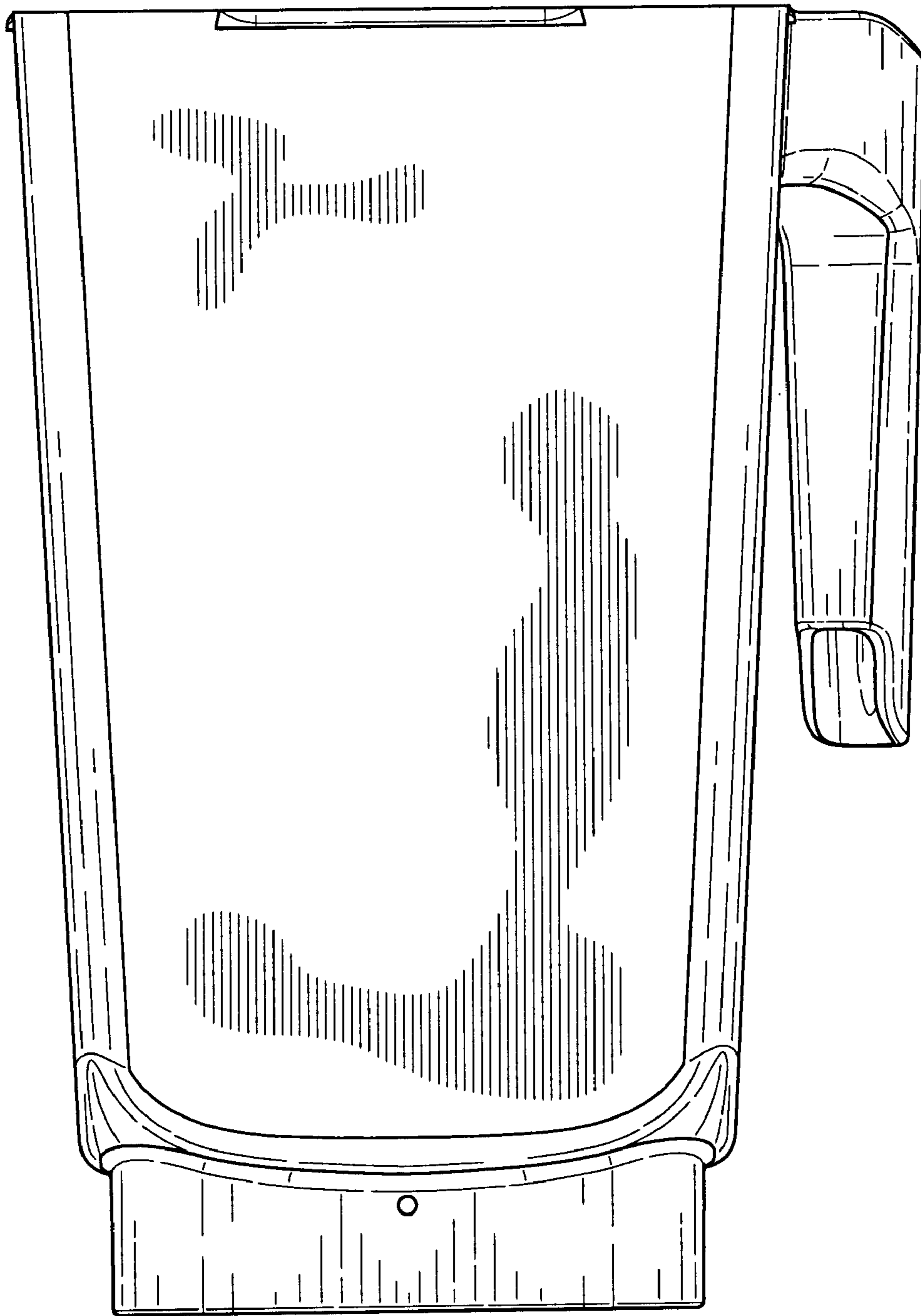


FIG-2

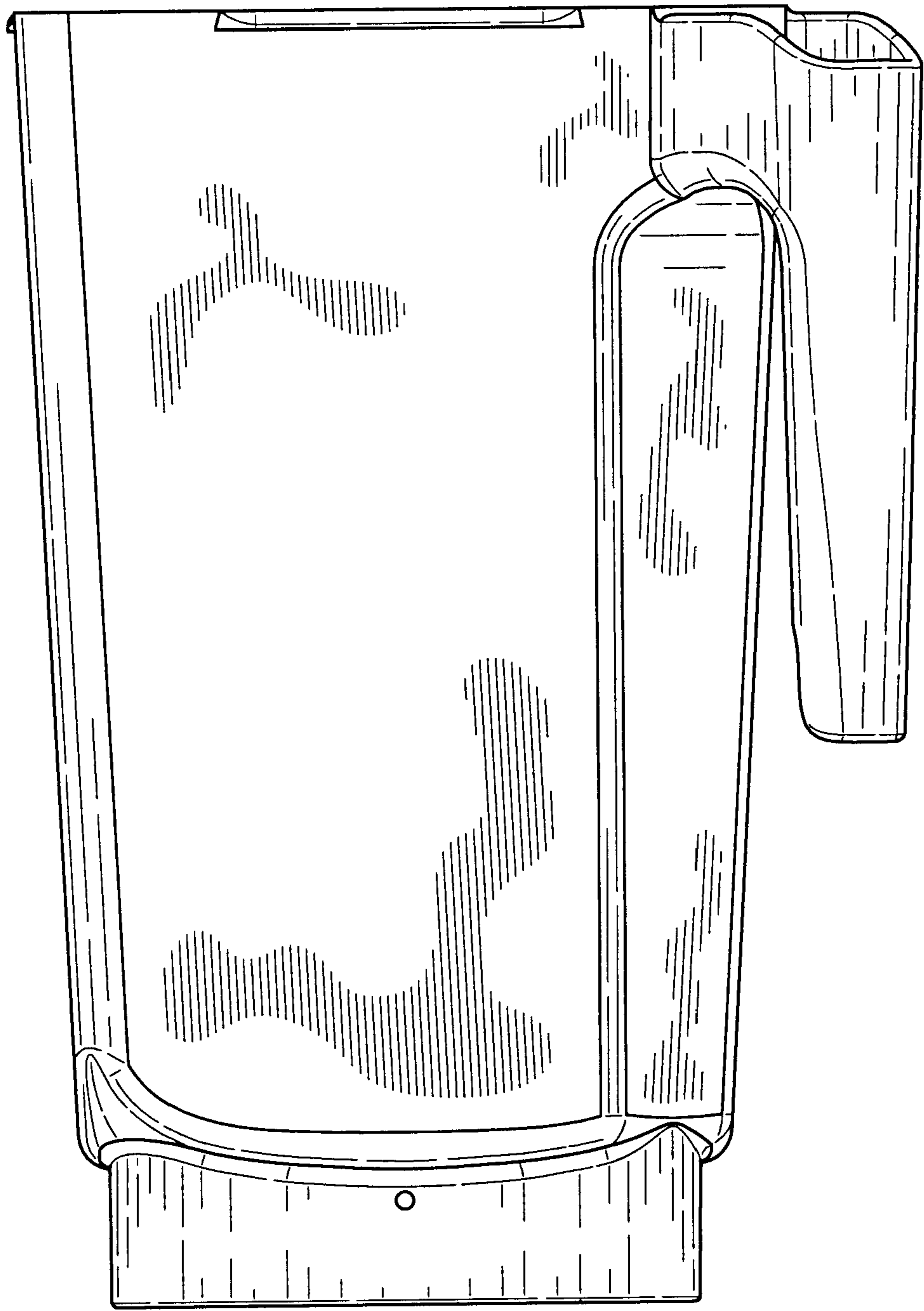
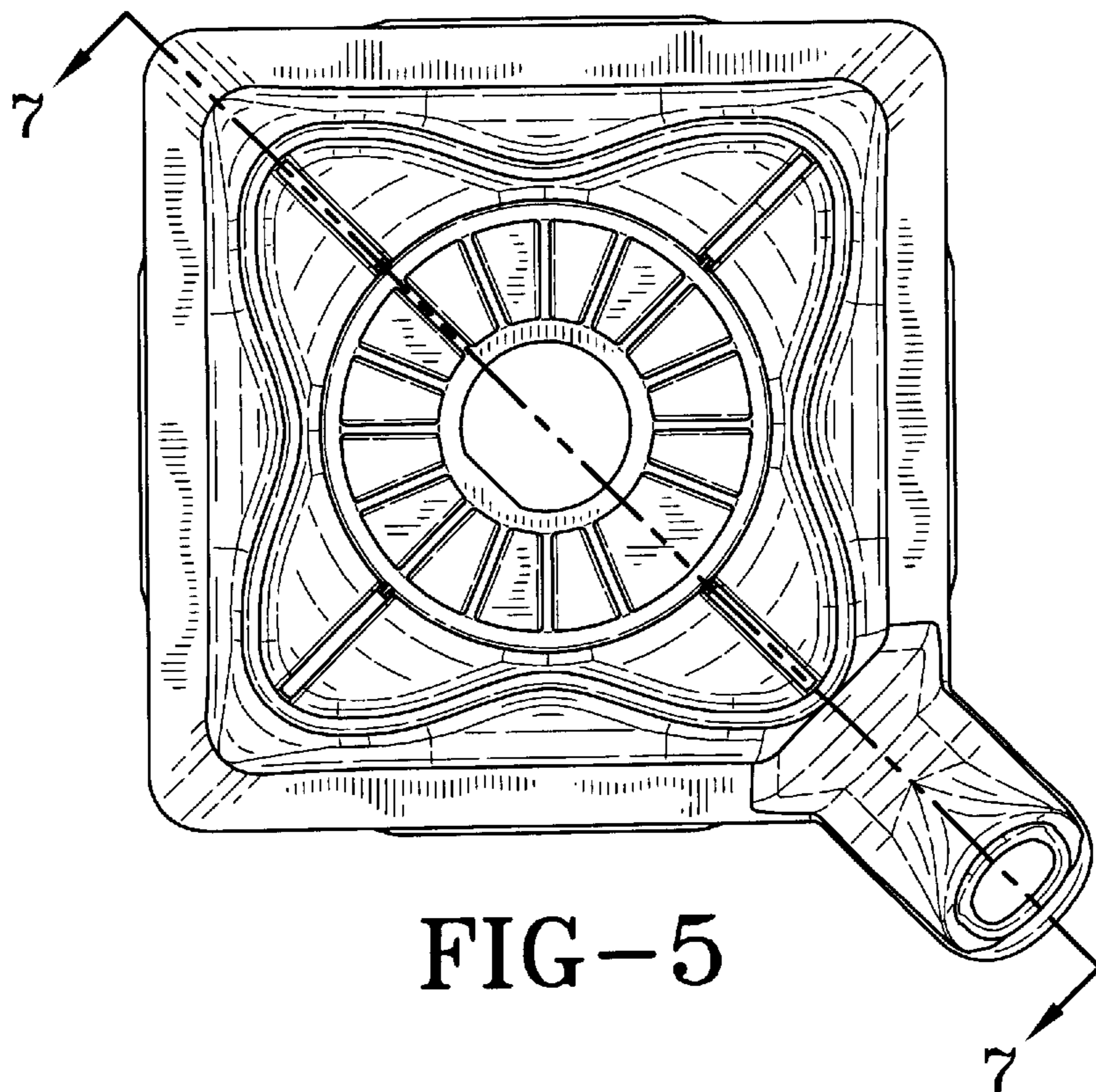
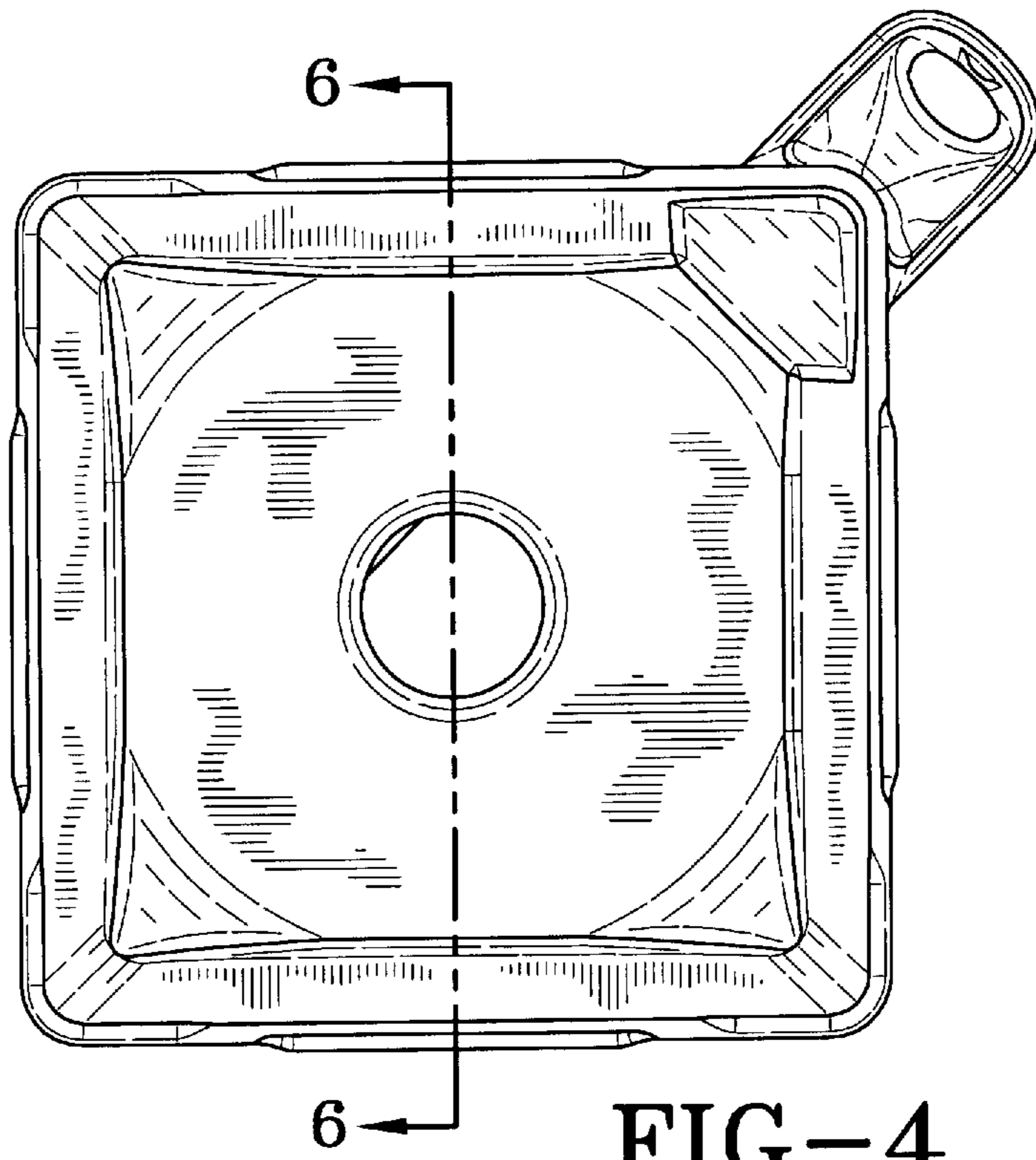


FIG-3



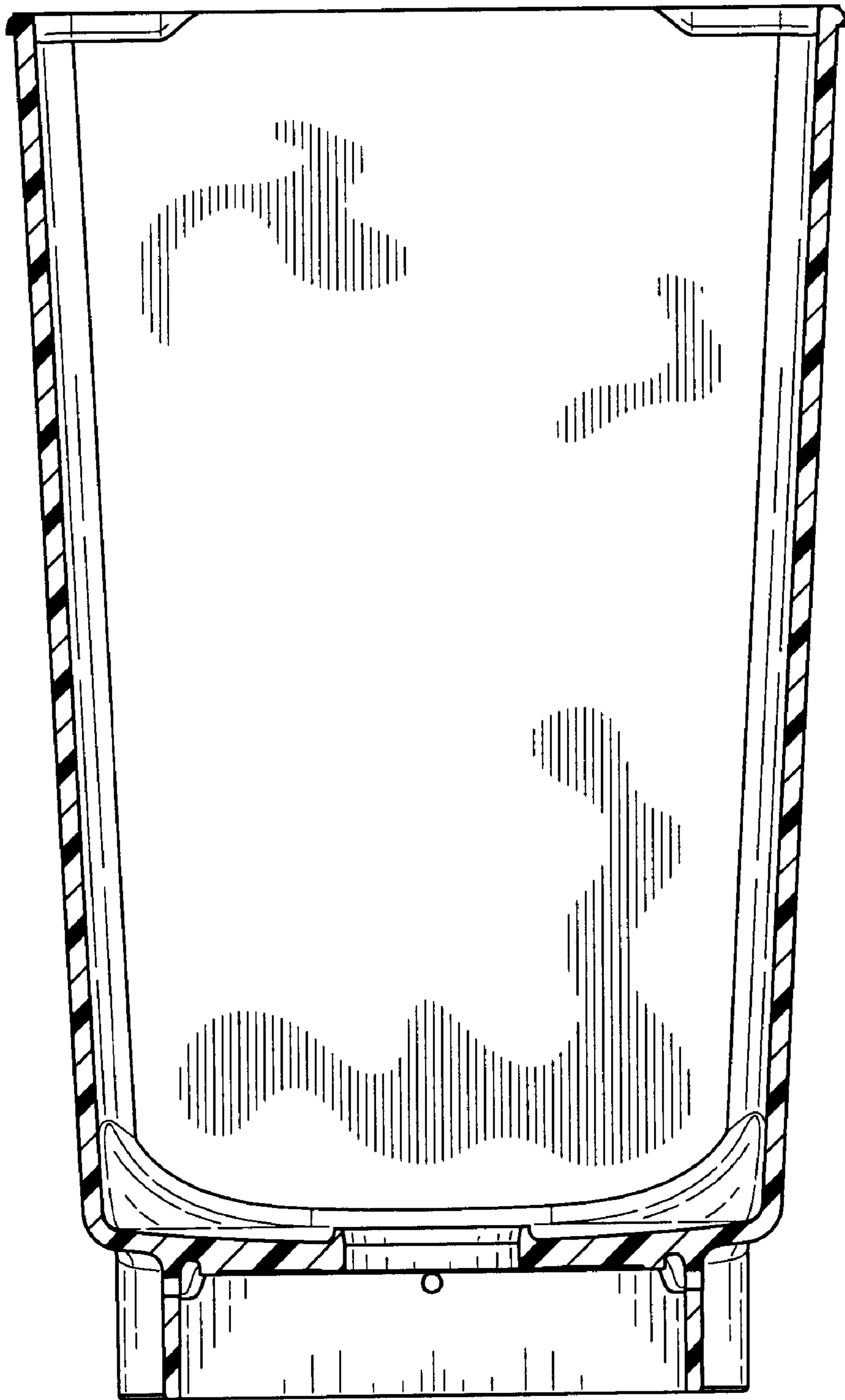


FIG-6

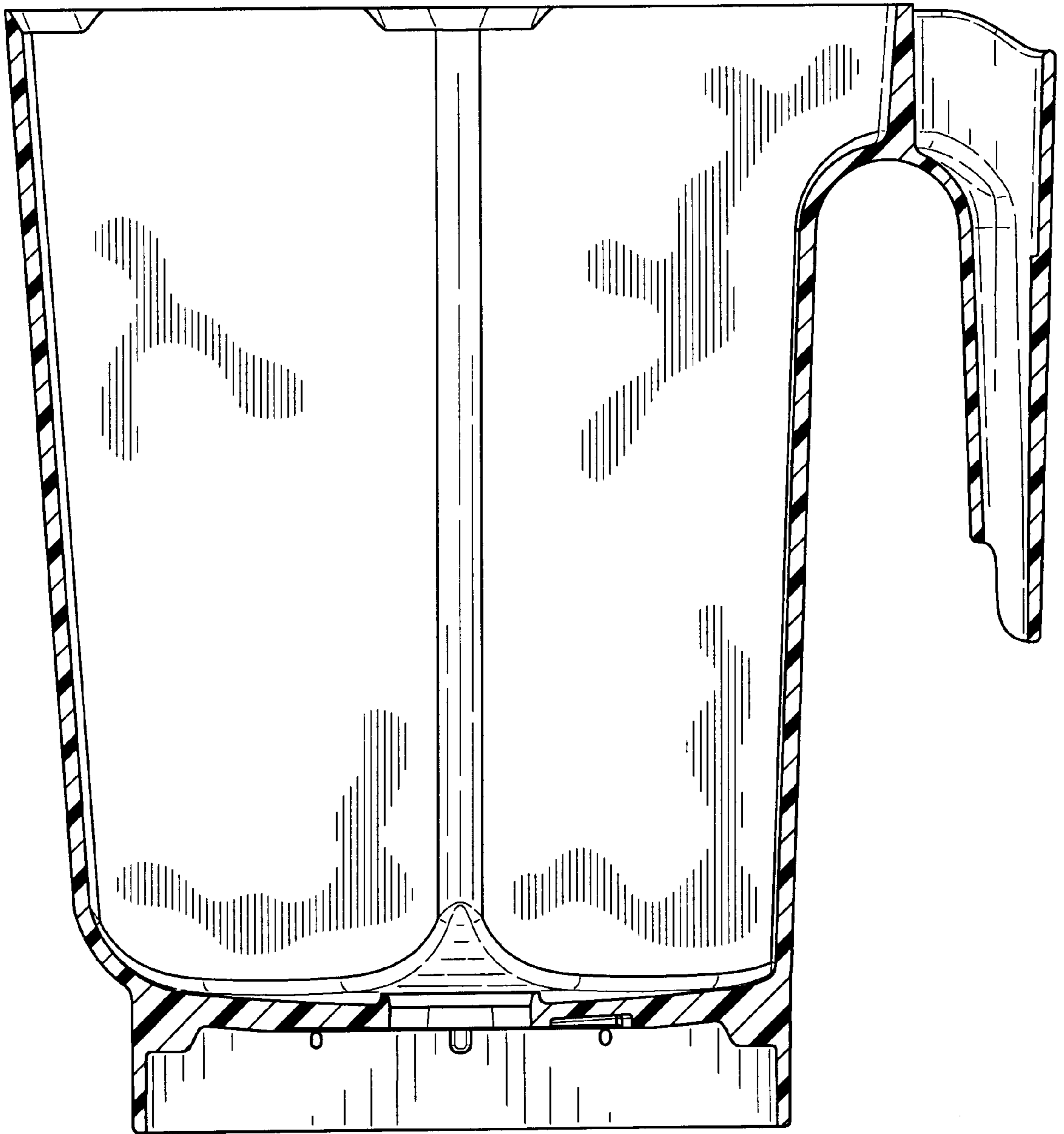


FIG-7