



US00D480914S

(12) **United States Design Patent**
Wagner et al.

(10) **Patent No.:** **US D480,914 S**

(45) **Date of Patent:** **** Oct. 21, 2003**

(54) **BARBECUE GRILL SHELF WITH OPPOSED TOOL HANGERS**

(75) Inventors: **Wesley J. Wagner**, Columbus, GA (US); **Otha Richardson**, Columbus, GA (US); **Wesley Gegg**, Bloomsdale, MO (US)

(73) Assignee: **W. C. Bradley Company**, Columbus, GA (US)

(**) Term: **14 Years**

(21) Appl. No.: **29/164,791**

(22) Filed: **Jul. 31, 2002**

(51) **LOC (7) Cl.** **06-04**

(52) **U.S. Cl.** **D7/406**

(58) **Field of Search** D7/332-337, 402-404, D7/406; 126/25 R, 25 A, 25 AA, 9 R, 9 A, 9 B, 38, 40, 41 R, 26, 29-30; 99/419, 421 R, 421 H, 421 HV

(56) **References Cited**

U.S. PATENT DOCUMENTS

D375,436 S * 11/1996 Bird et al. D7/403
D377,734 S * 2/1997 Bird et al. D7/402

D380,944 S * 7/1997 Nielsen D7/698
D413,229 S * 8/1999 Hopkins et al. D7/406
D416,164 S * 11/1999 Wagner et al. D7/334
D436,004 S * 1/2001 Wagner D7/402
D443,179 S * 6/2001 Wagner D7/406
6,354,548 B1 * 3/2002 Stephen et al. 248/240.4

* cited by examiner

Primary Examiner—Ruth McInroy

(74) *Attorney, Agent, or Firm*—James W. Kayden; Thomas, Kayden, Horstemeyer & Risley, LLP

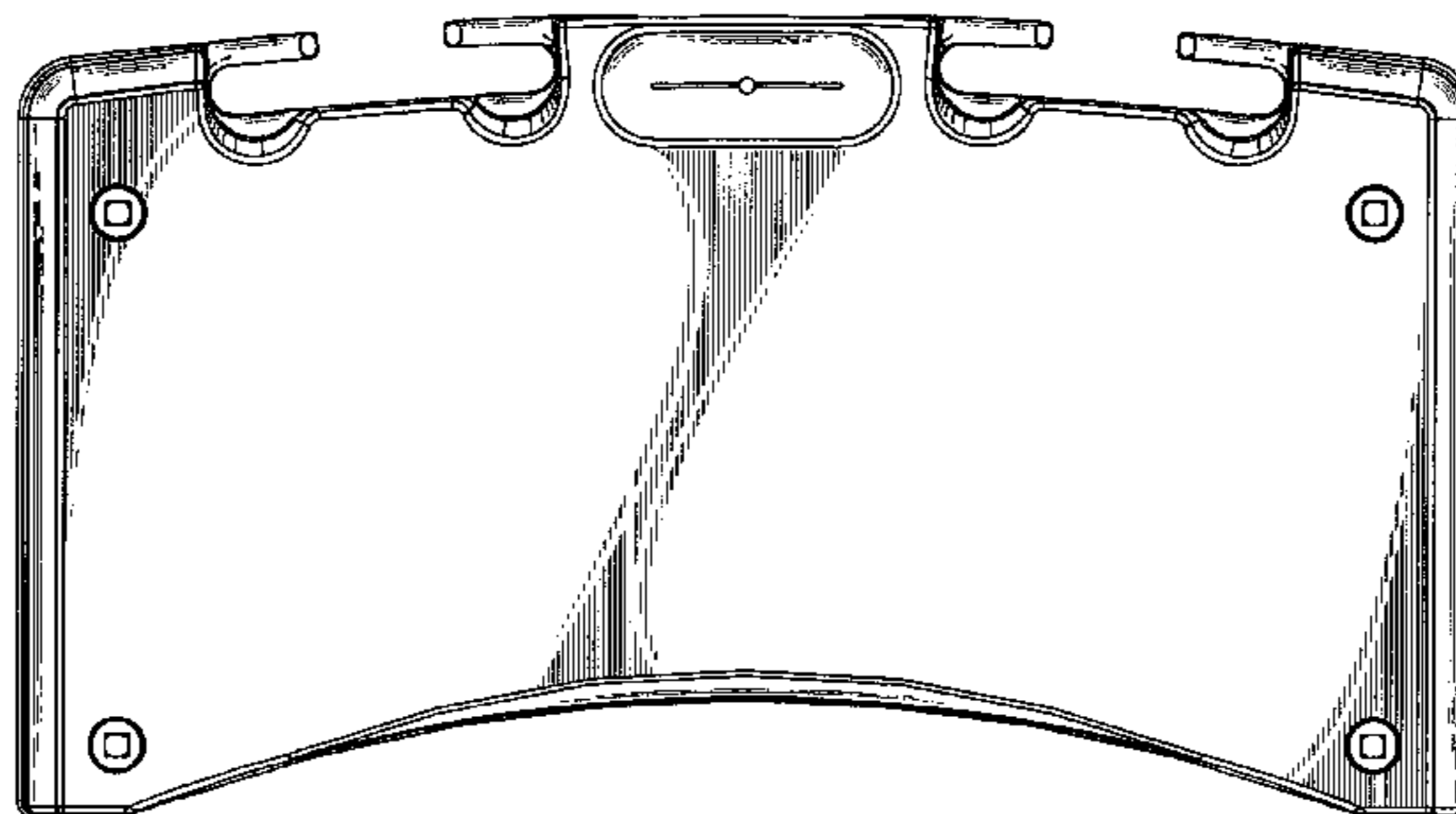
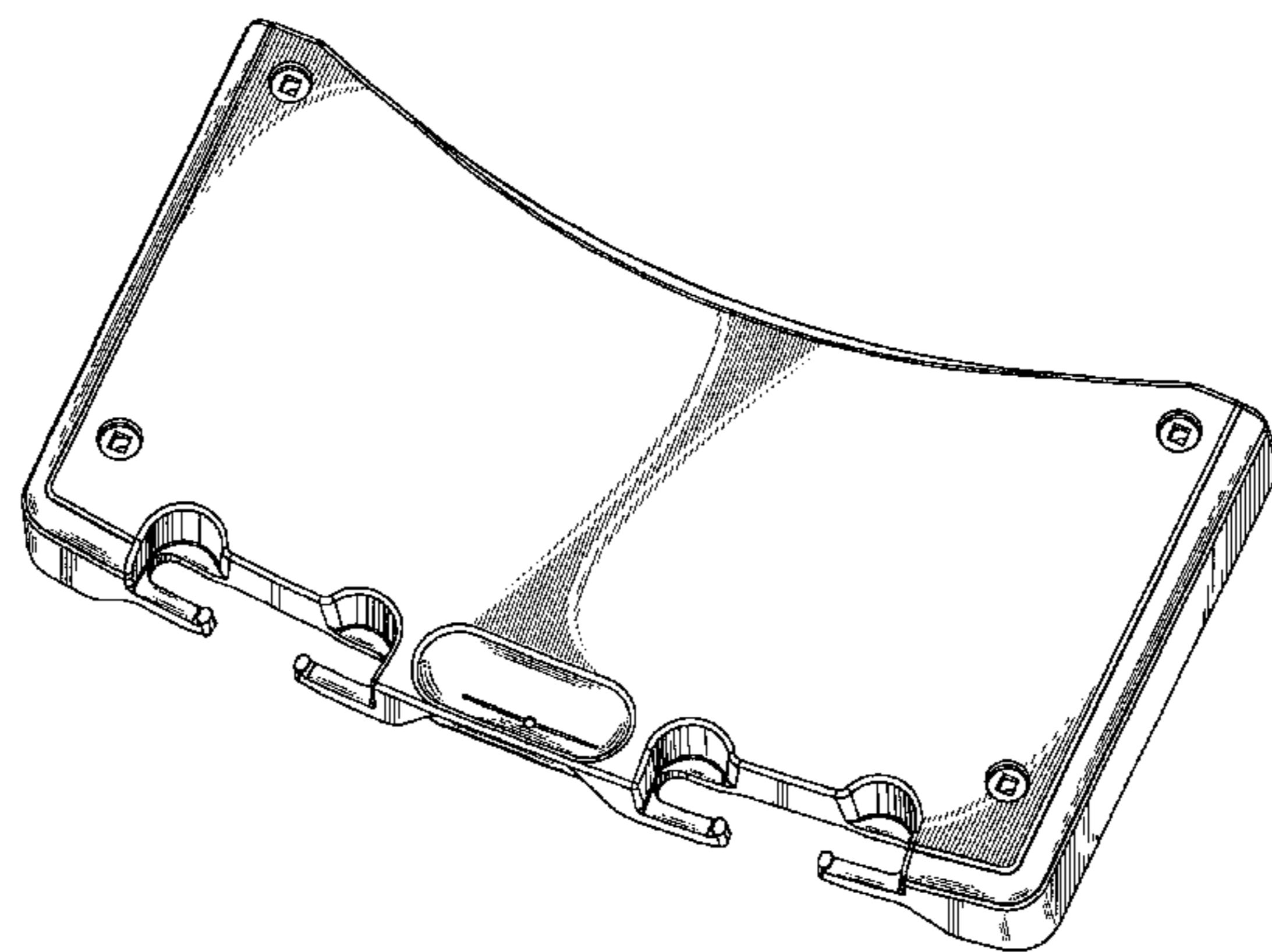
(57) **CLAIM**

The ornamental design of a barbecue grill shelf with opposed tool hangers, as shown and described.

DESCRIPTION

FIG. 1 is a perspective view of a barbecue grill shelf with opposed tool hangers showing our new design; FIG. 2 is a front elevational view thereof; FIG. 3 is a rear elevational view thereof; FIG. 4 is a right side elevational view thereof the left side view thereof being a mirror image of that which is shown; FIG. 5 is a top plan view thereof; and, FIG. 6 is a bottom plan view thereof.

1 Claim, 4 Drawing Sheets



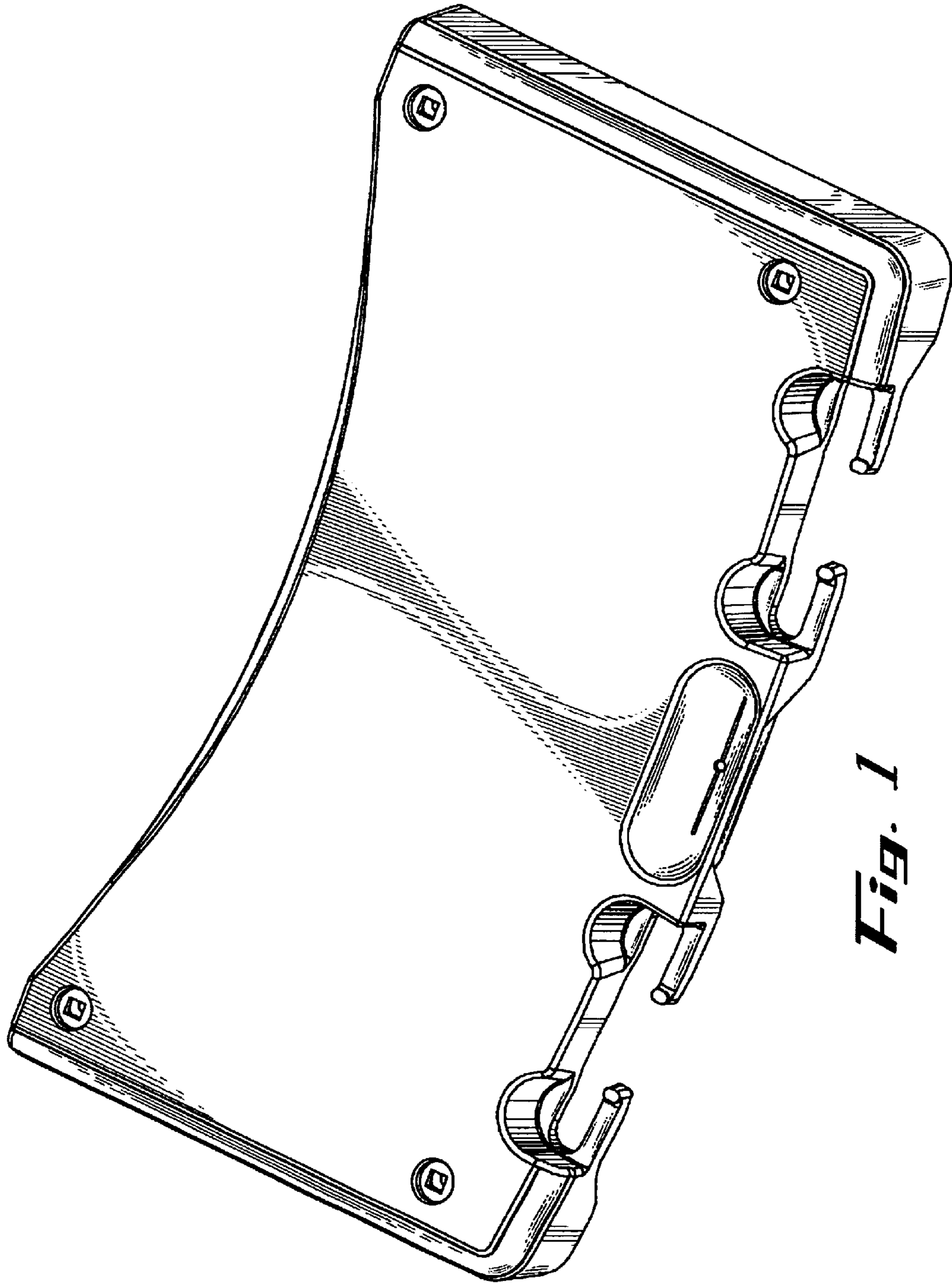


Fig. 1



Fig. 2

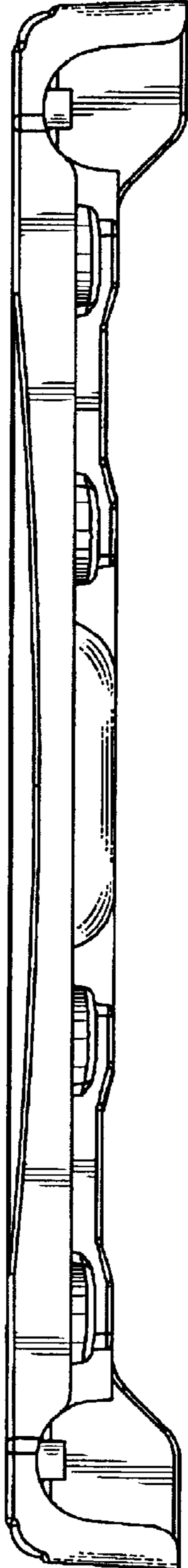


Fig. 3

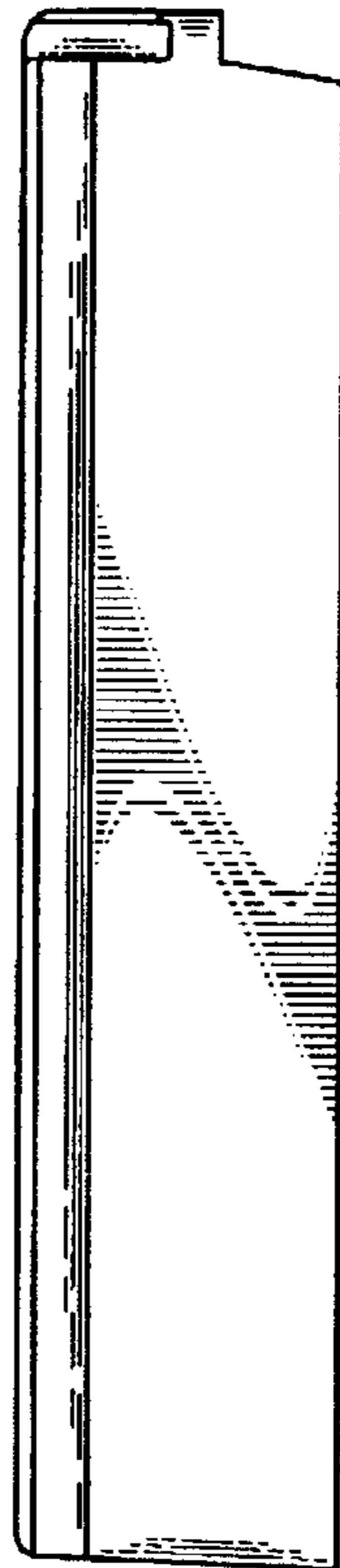


Fig. 4

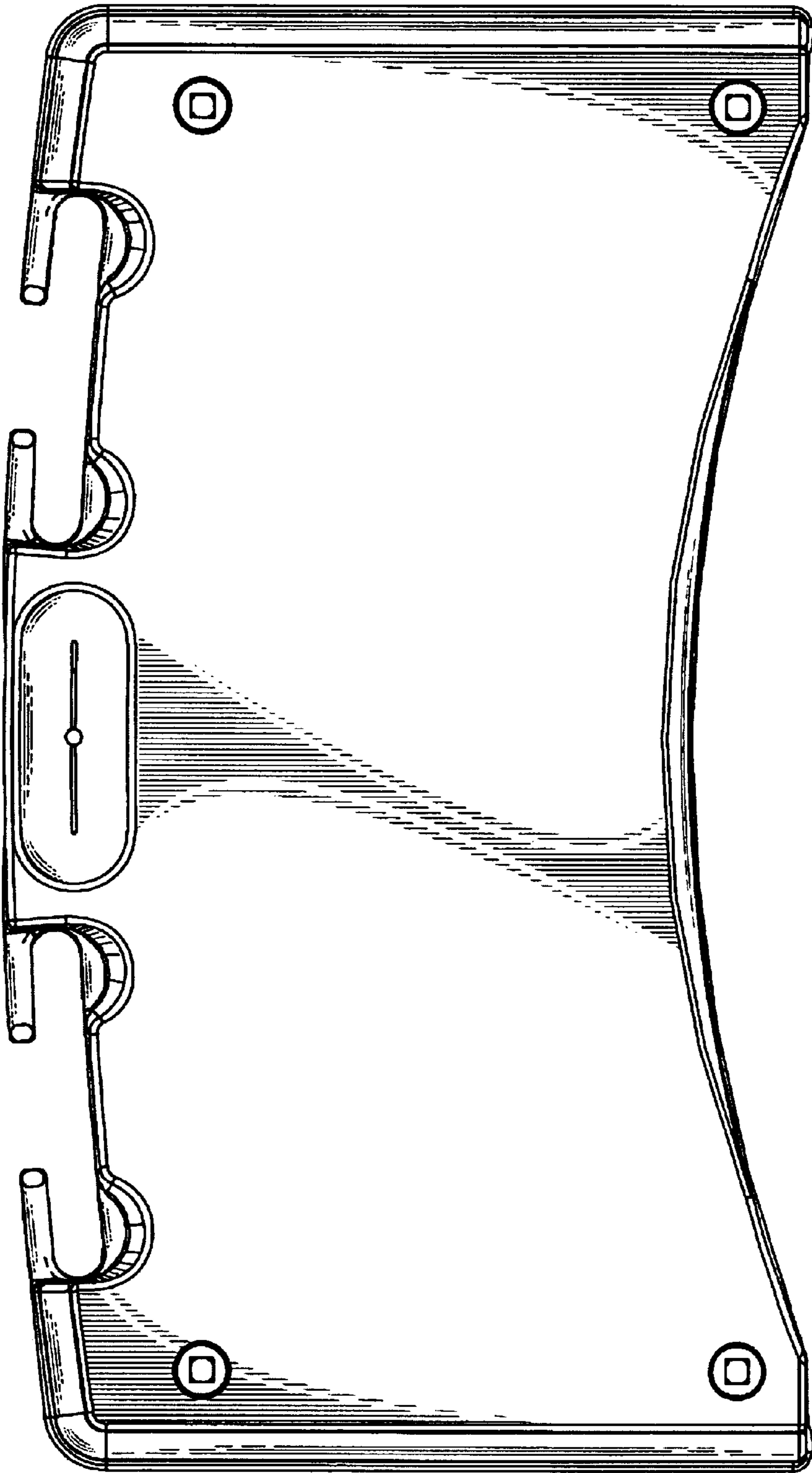


Fig. 5

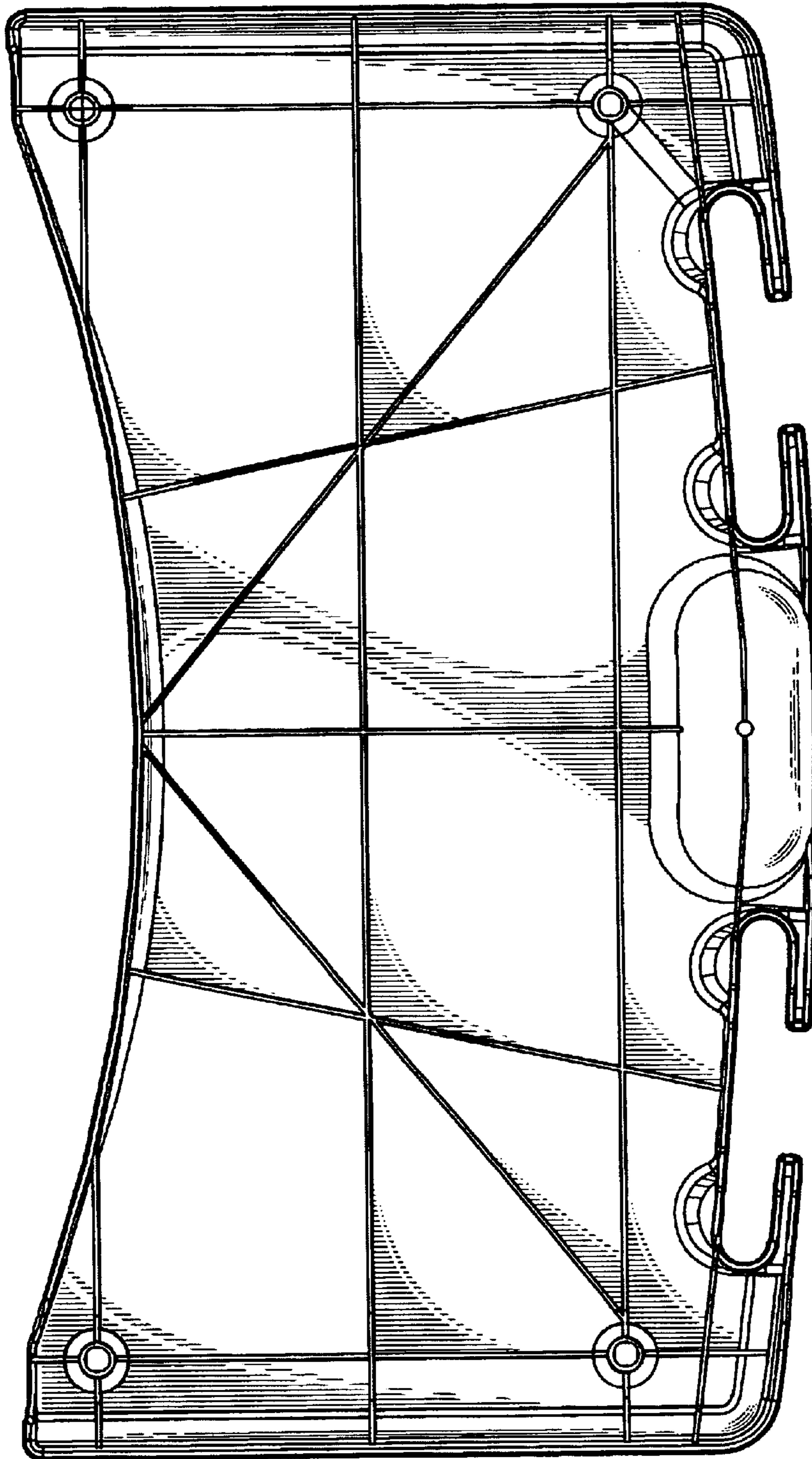


Fig. 6