



US00D480909S

(12) **United States Design Patent**
Morgan

(10) **Patent No.:** **US D480,909 S**

(45) **Date of Patent:** **** Oct. 21, 2003**

(54) **DOME CAKE MOLD**

(76) Inventor: **Fletcher Morgan**, 4990 Coquina Key
Dr., SE., St. Petersburg, FL (US) 33705

(**) Term: **14 Years**

(21) Appl. No.: **29/171,006**

(22) Filed: **Nov. 15, 2002**

(51) **LOC (7) Cl.** **07-02**

(52) **U.S. Cl.** **D7/354**

(58) **Field of Search** D7/323, 354-361,
D7/500, 541, 555, 557, 672; D9/429; 99/324,
426, 428, 430, 439, 440, 442; 249/57, 117,
119, 122, 127, 144, 155, 156, 160, DIG. 1;
220/573.4, 573.5, 500, 506, 575

(56) **References Cited**

U.S. PATENT DOCUMENTS

D225,433 S * 12/1972 Rosenlund D7/360
4,076,207 A * 2/1978 Austin 249/66.1
4,607,613 A * 8/1986 Toldi 126/215

5,046,633 A * 9/1991 Chung 220/574.3
D368,827 S * 4/1996 Thomas D7/354
6,360,653 B1 * 3/2002 Rodek et al. 99/339

* cited by examiner

Primary Examiner—Caron D. Veynar
(74) *Attorney, Agent, or Firm*—John S. Hale; Gipple &
Hale

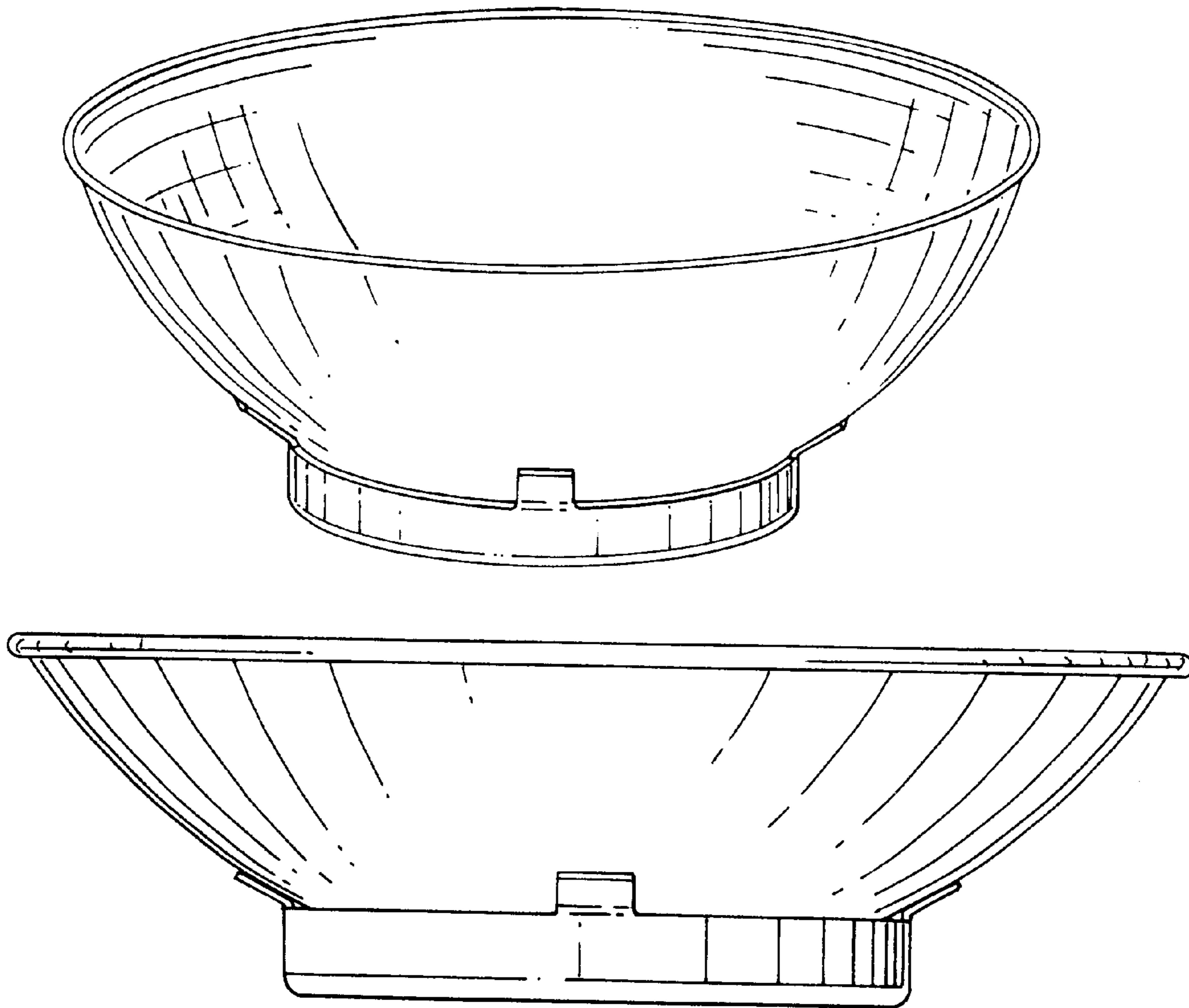
(57) **CLAIM**

The ornamental design for a dome cake mold, as shown and described.

DESCRIPTION

FIG. 1 is a front perspective view of the dome cake mold showing my new design;
FIG. 2 is an enlarged top plan view thereof of FIG. 1;
FIG. 3 is an enlarged bottom plan view of FIG. 1;
FIG. 4 is a front elevational view thereof, all sides and the rear being identical; and,
FIG. 5 is a perspective exploded view of the bowl and ring base of FIG. 1.

1 Claim, 3 Drawing Sheets



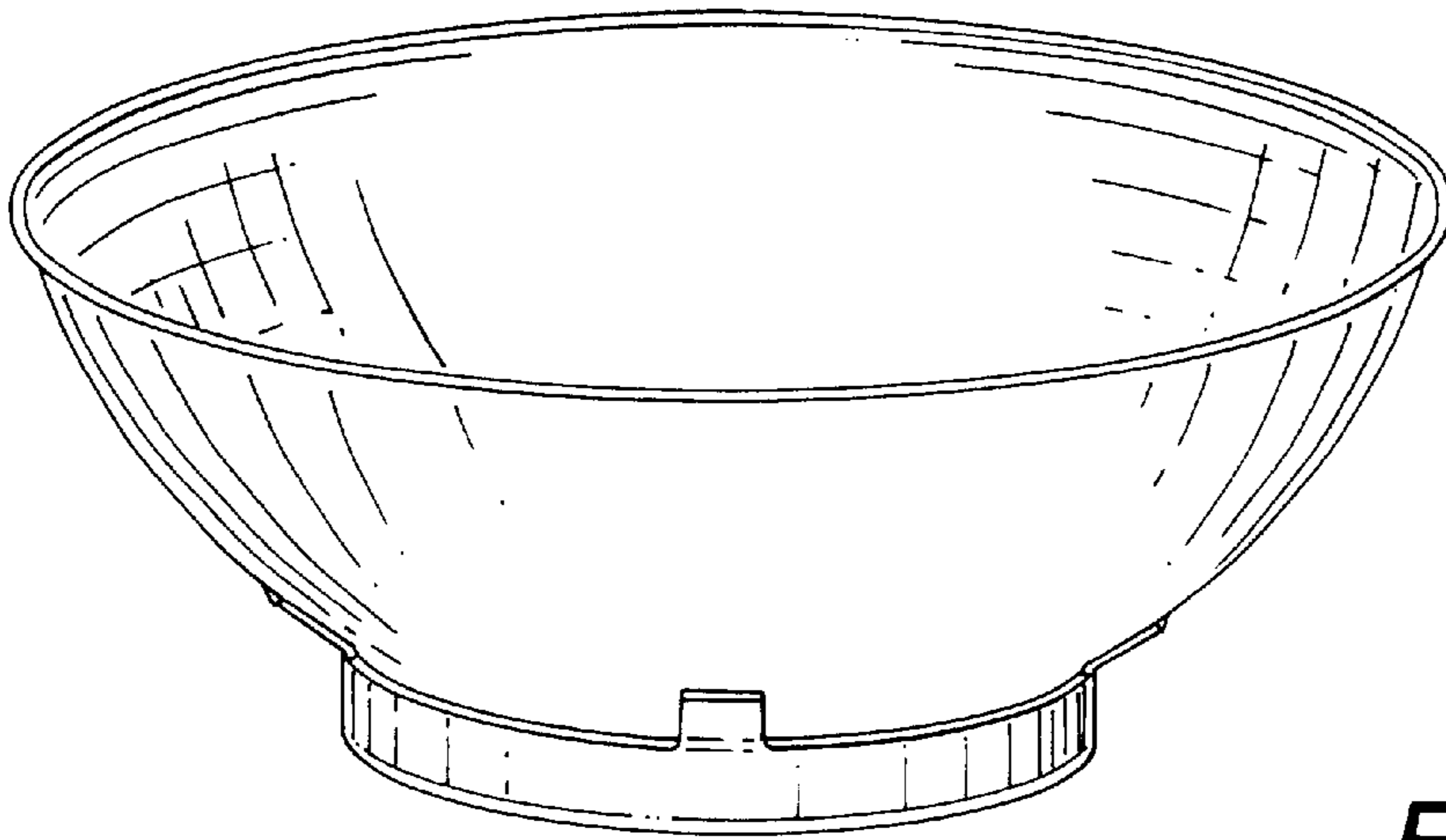


Fig. 1

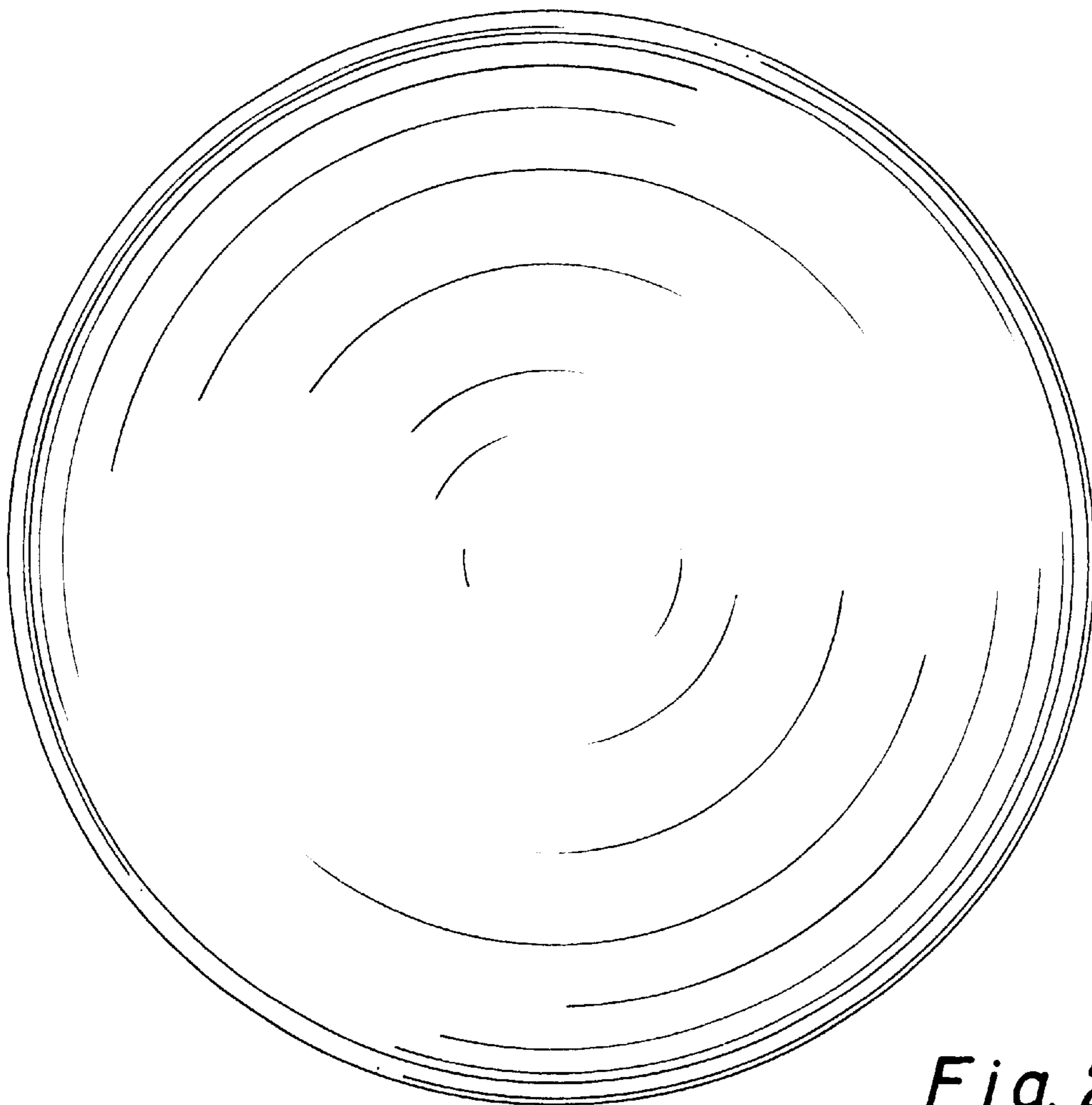


Fig. 2

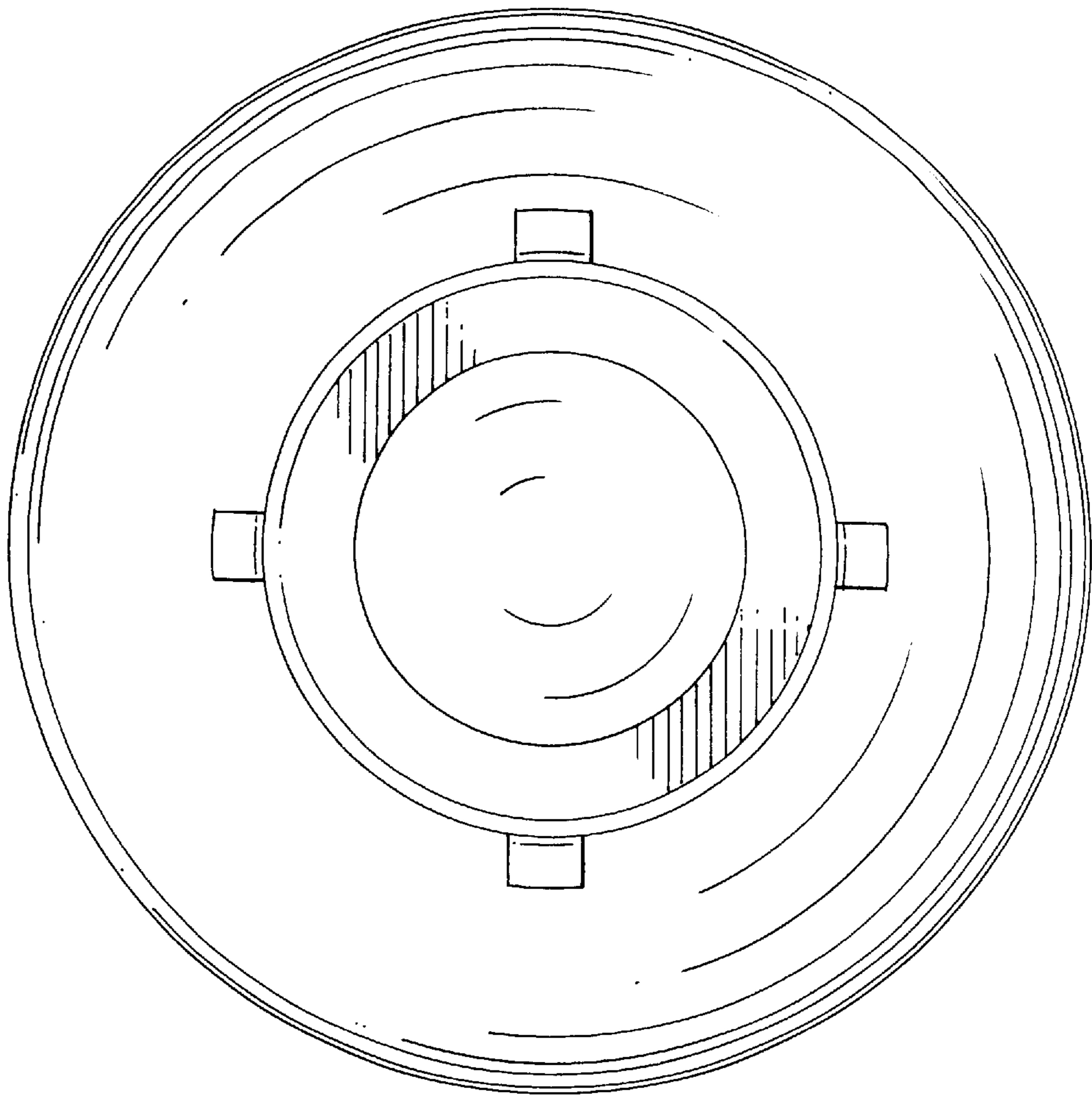


Fig. 3

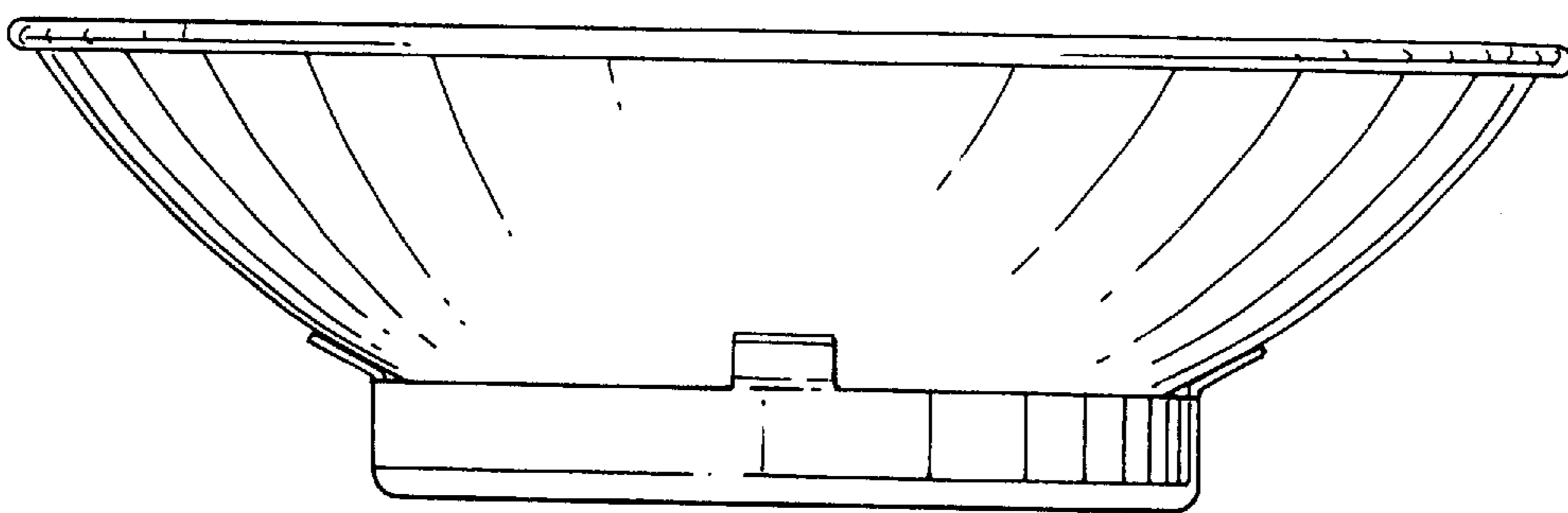


Fig. 4

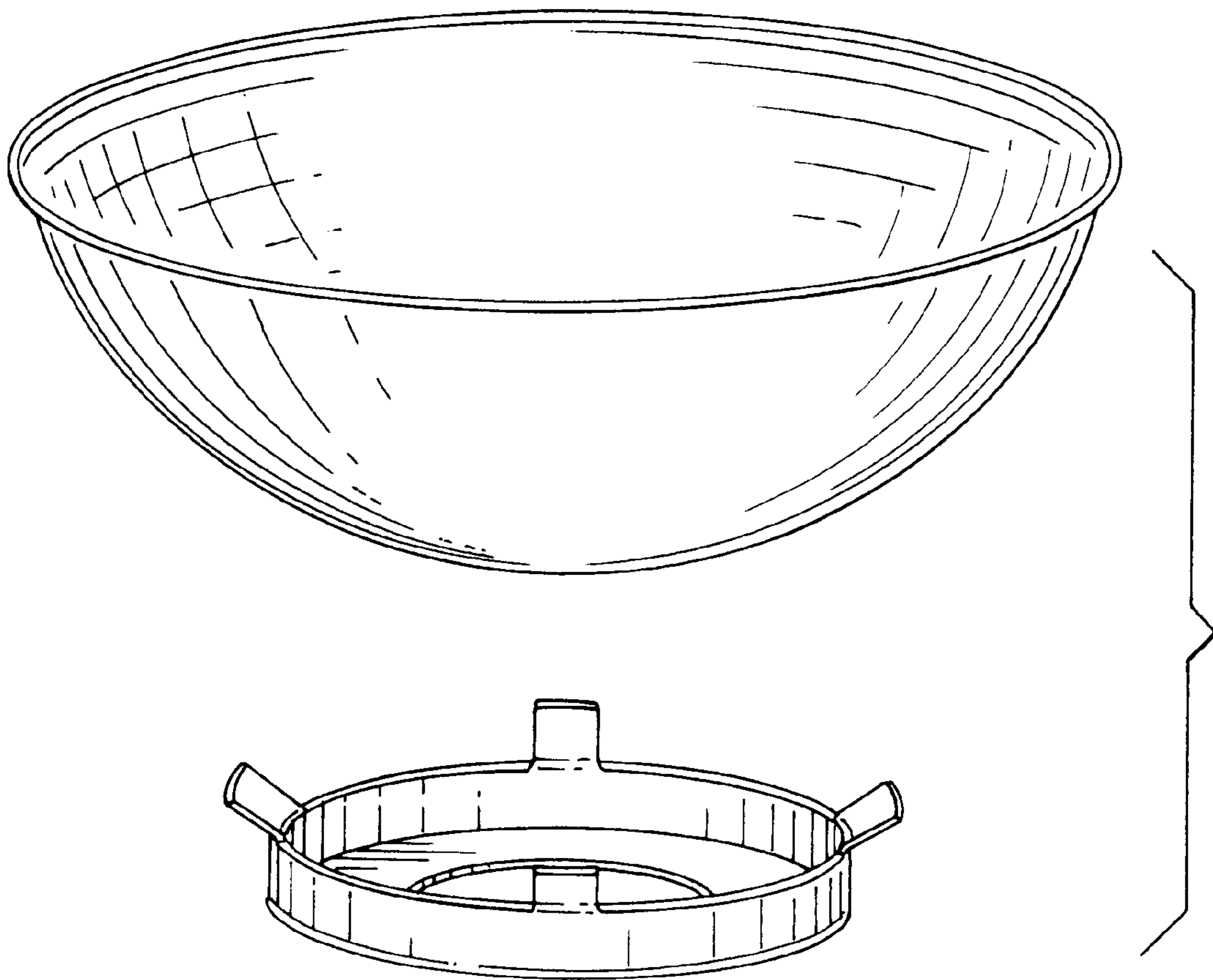


Fig. 5