



US00D480907S

(12) **United States Design Patent**
Pai

(10) **Patent No.:** **US D480,907 S**

(45) **Date of Patent:** **** Oct. 21, 2003**

(54) **ROASTER**

(76) **Inventor:** **Jui-Yen Pai**, No. 617, Sec. 4, Chung Hua Rd., Hsin Chu City (TW)

(**) **Term:** **14 Years**

(21) **Appl. No.:** **29/170,318**

(22) **Filed:** **Nov. 4, 2002**

(51) **LOC (7) Cl.** **07-02**

(52) **U.S. Cl.** **D7/334**

(58) **Field of Search** D7/332-337, 402-404;
126/25 R, 25 A, 25 AA, 41 R, 29-30, 9 R,
9 A, 9 B, 8; 99/419, 421 R

(56) **References Cited**

U.S. PATENT DOCUMENTS

D188,879 S	*	9/1960	Gauss et al.	D7/334
D192,199 S	*	2/1962	Watson et al.	D7/334
4,062,340 A	*	12/1977	Huff	126/25 R
D350,668 S	*	9/1994	Giebel et al.	D7/334
5,394,590 A	*	3/1995	Yu	16/357

D430,450 S	*	9/2000	Chester	D7/334
6,439,221 B1	*	8/2002	Ward et al.	126/25 R
D466,358 S	*	12/2002	Eisinger et al.	D7/334
D474,063 S	*	5/2003	Eisinger et al.	D7/334

* cited by examiner

Primary Examiner—Ruth McInroy

(74) *Attorney, Agent, or Firm*—Alan D. Kamrath; Rider Bennett LLP

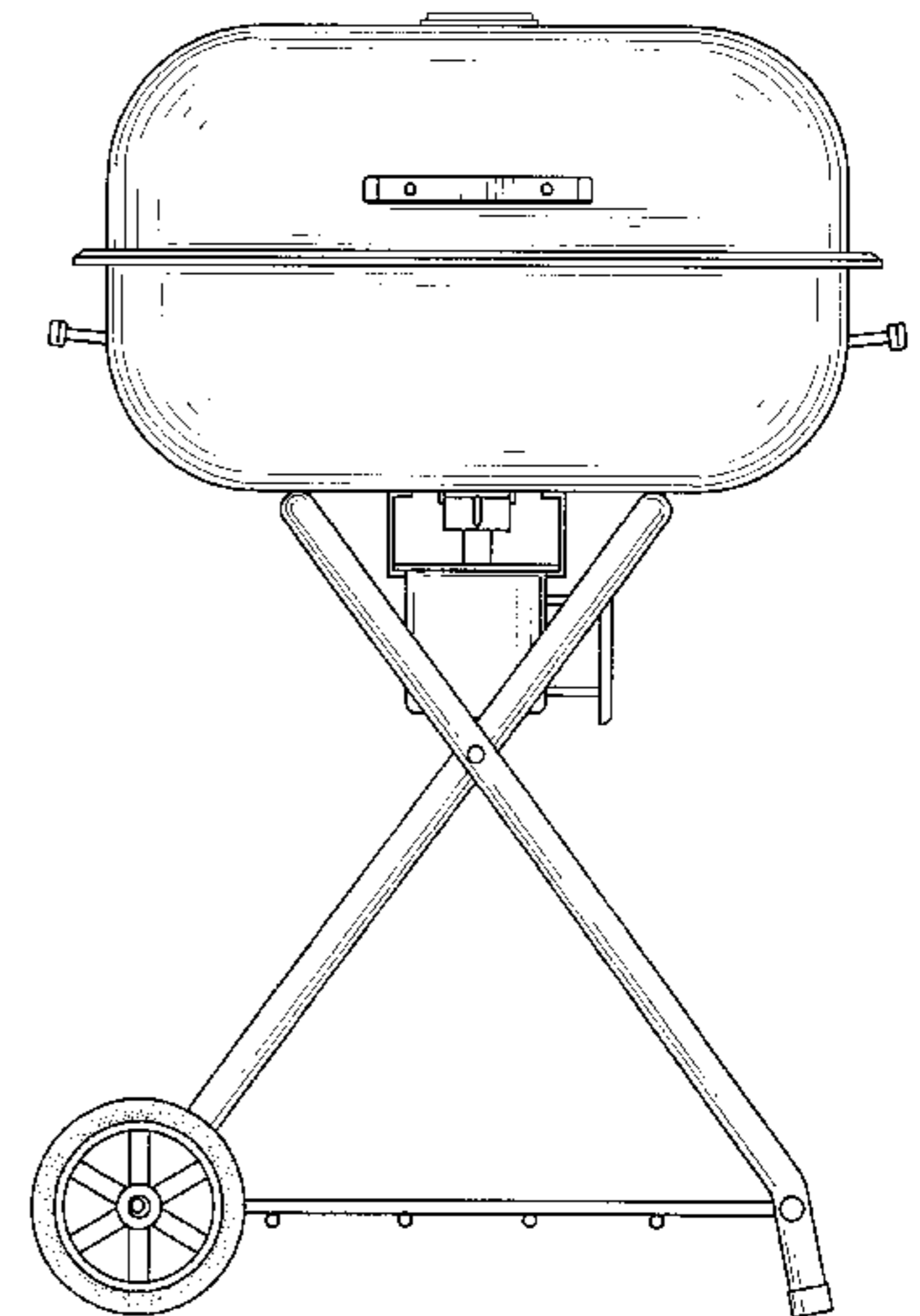
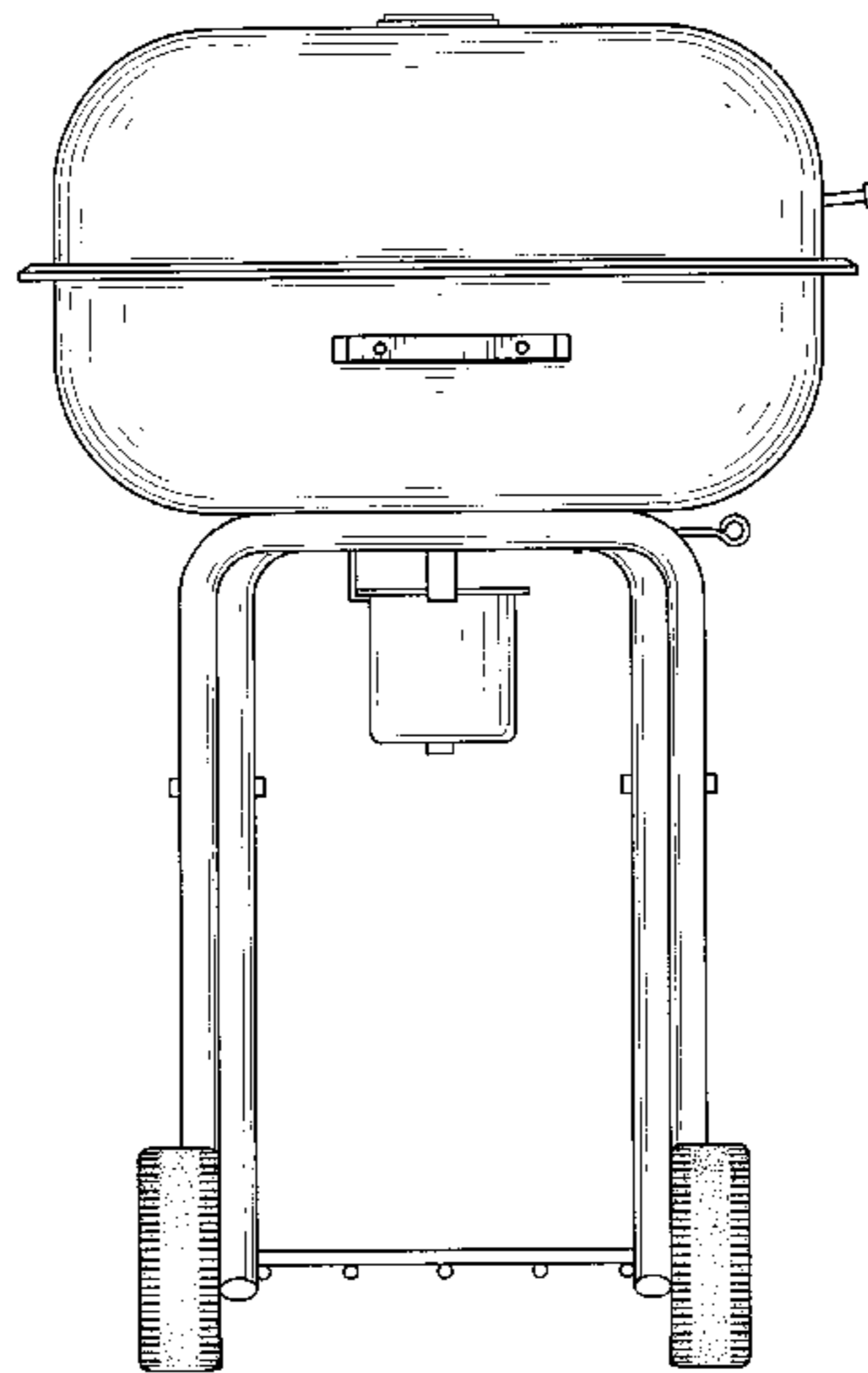
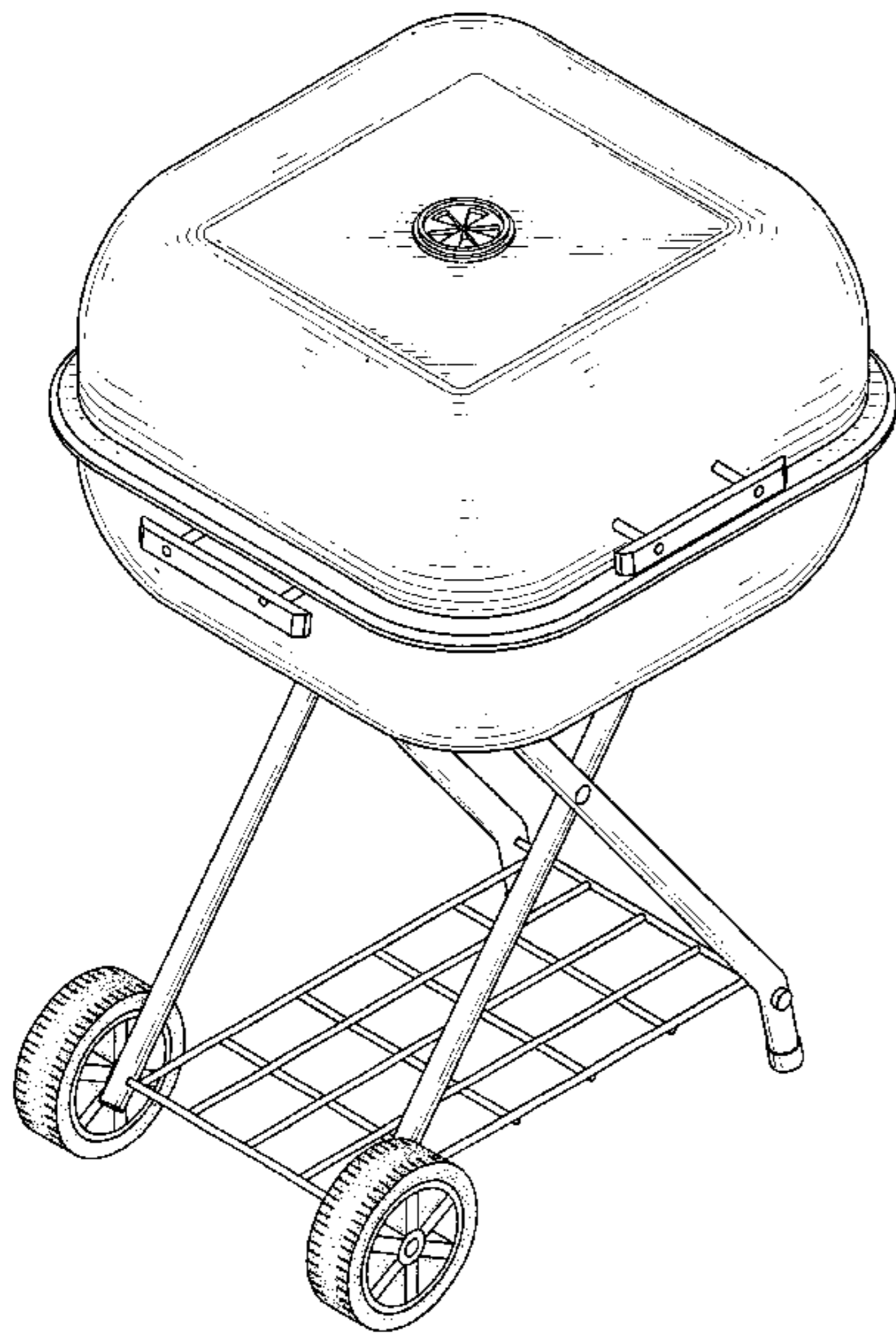
(57) **CLAIM**

The ornamental design for a roaster, as shown.

DESCRIPTION

FIG. 1 is a perspective view of a roaster, showing my new design;
 FIG. 2 is a front elevational view thereof;
 FIG. 3 is a rear elevational view thereof;
 FIG. 4 is a left elevational view thereof;
 FIG. 5 is a right elevational view thereof;
 FIG. 6 is top plan view thereof; and,
 FIG. 7 is a bottom plan view thereof.

1 Claim, 7 Drawing Sheets



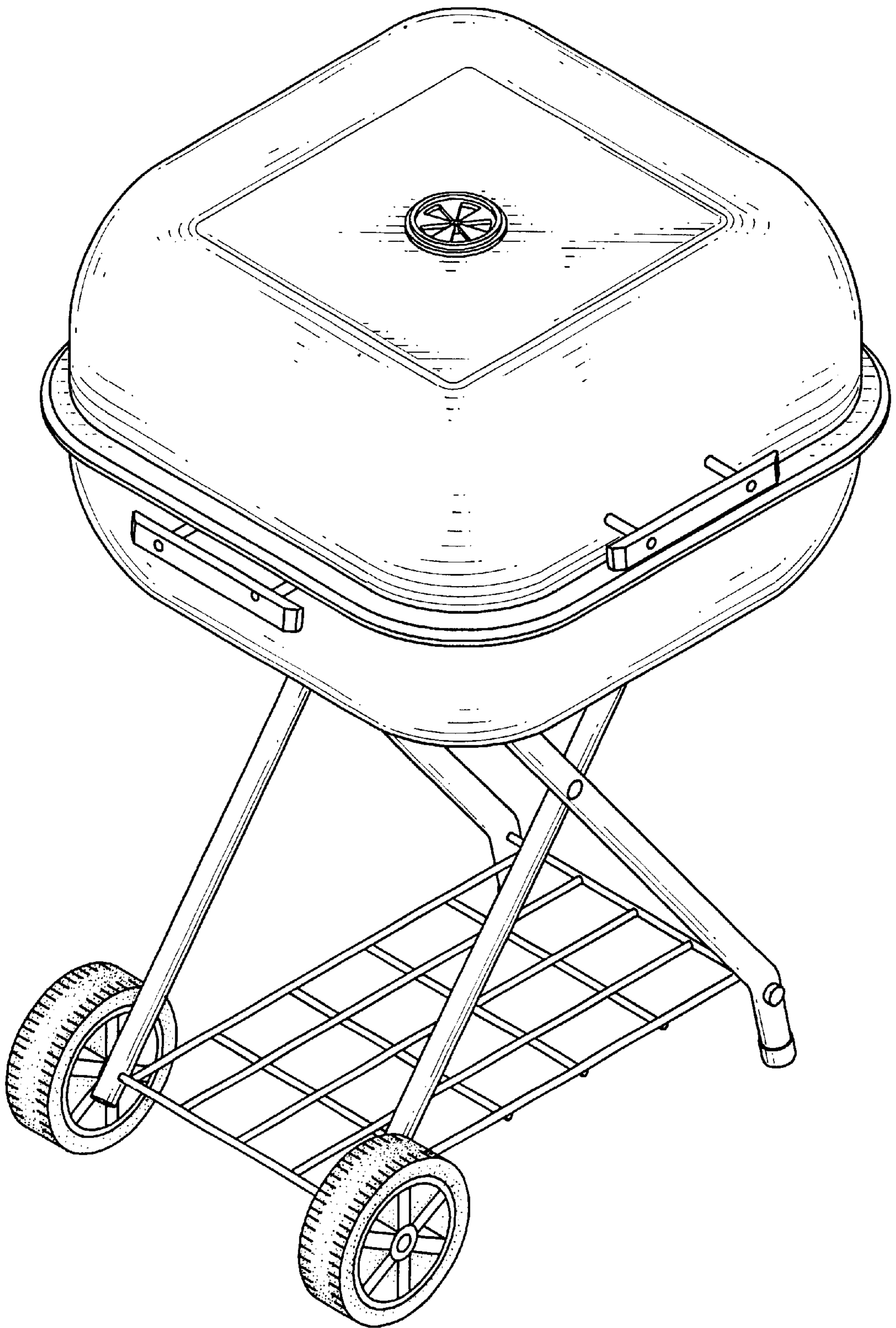


FIG.1

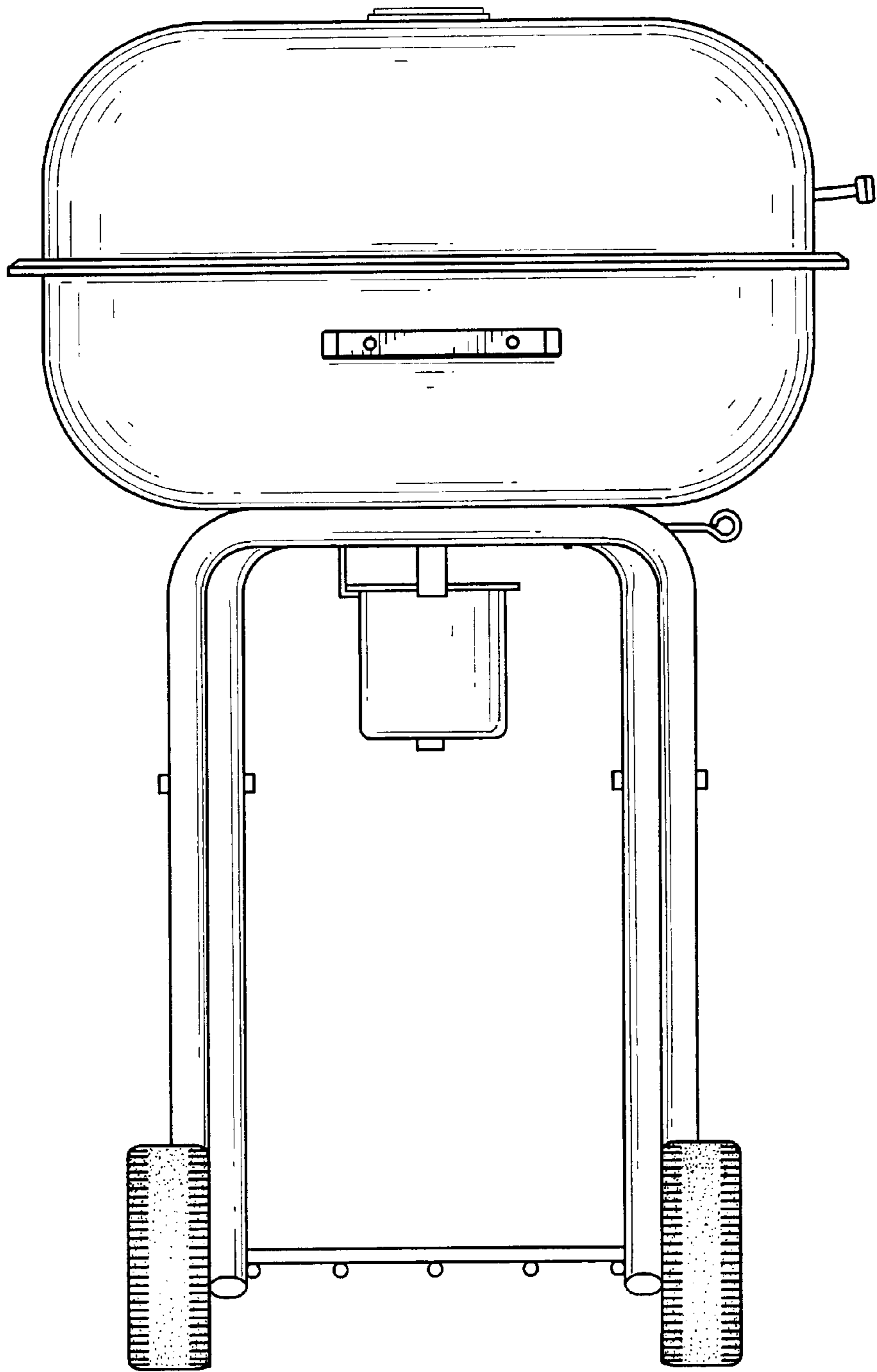


FIG.2

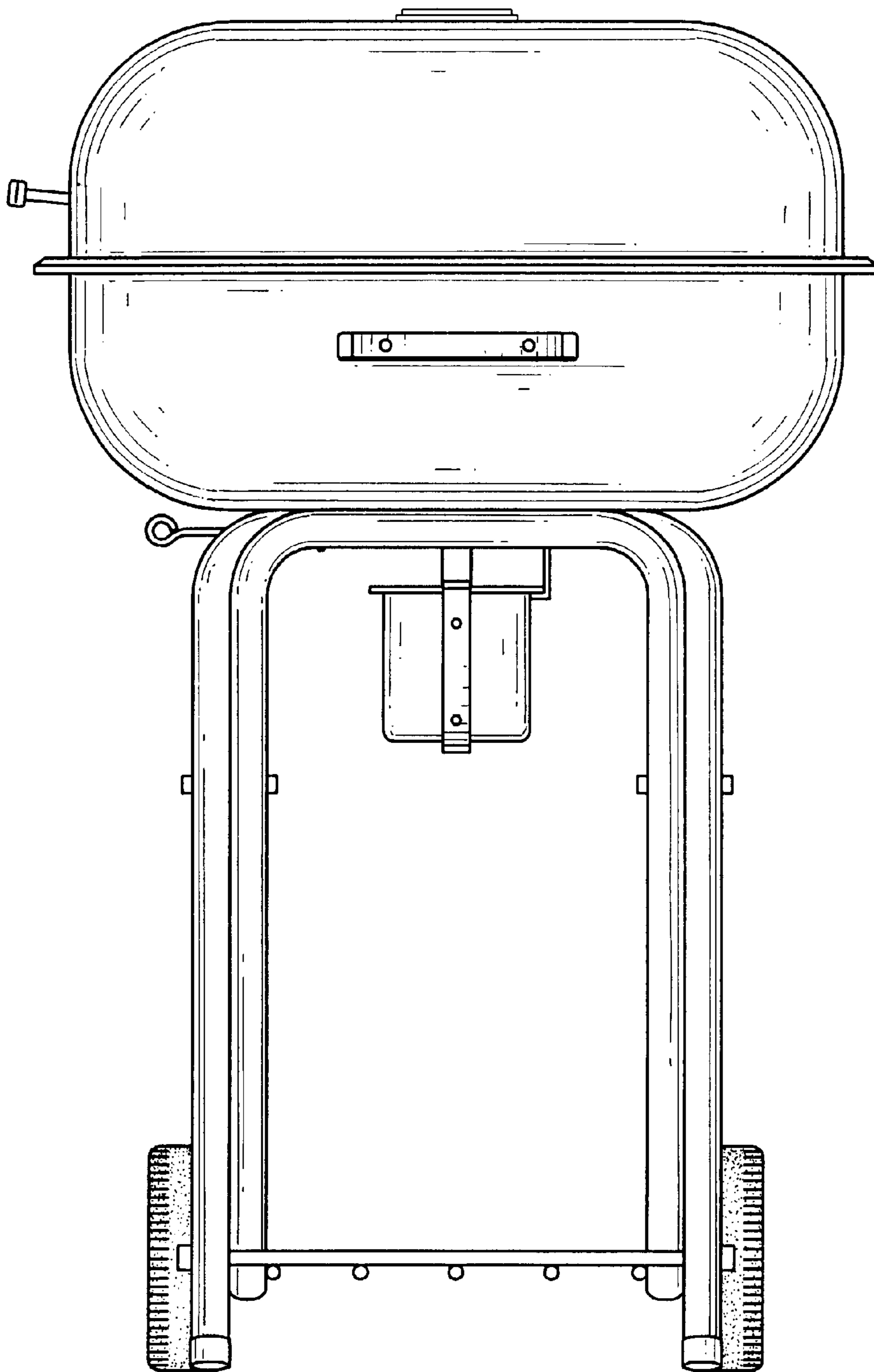


FIG.3

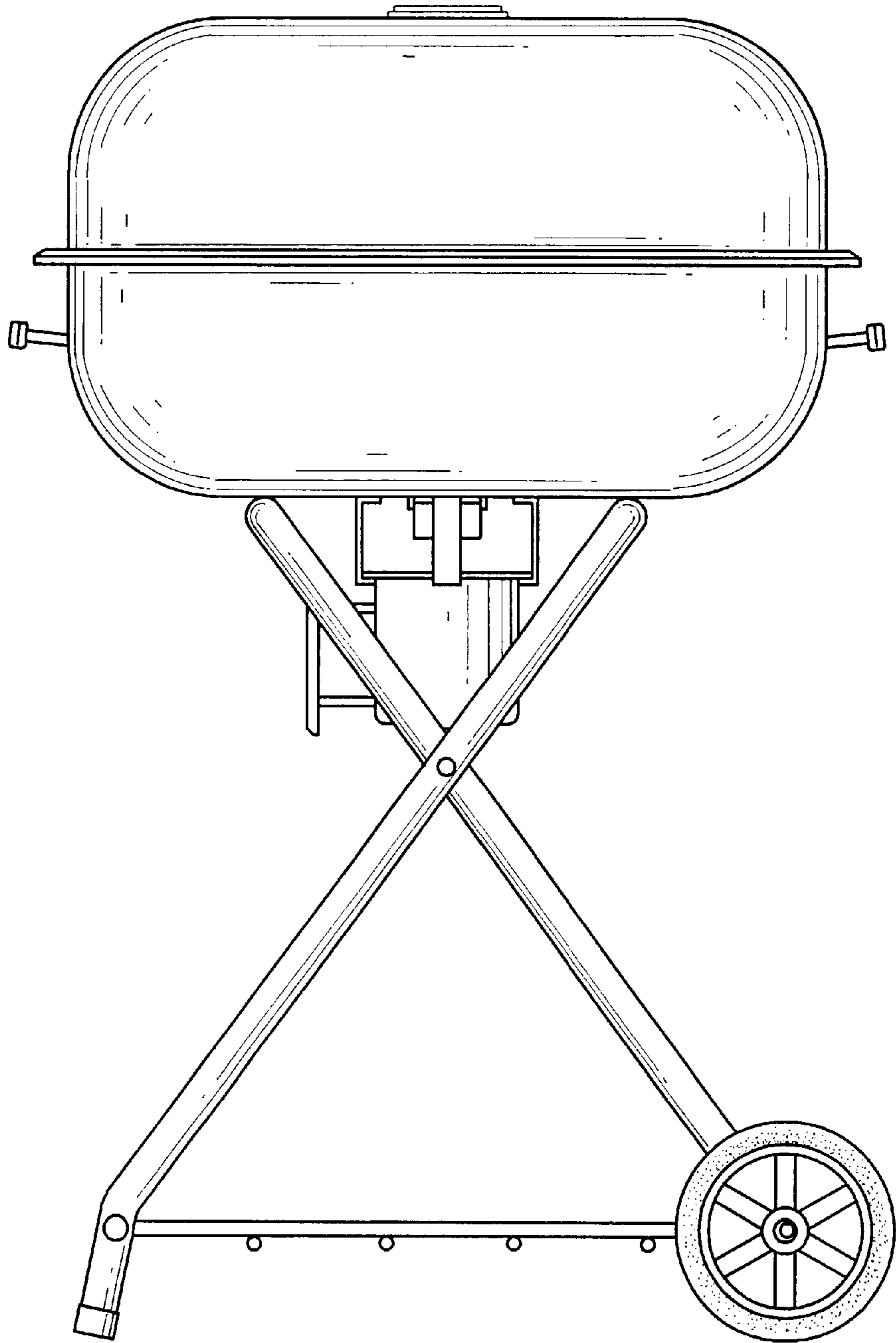


FIG.4

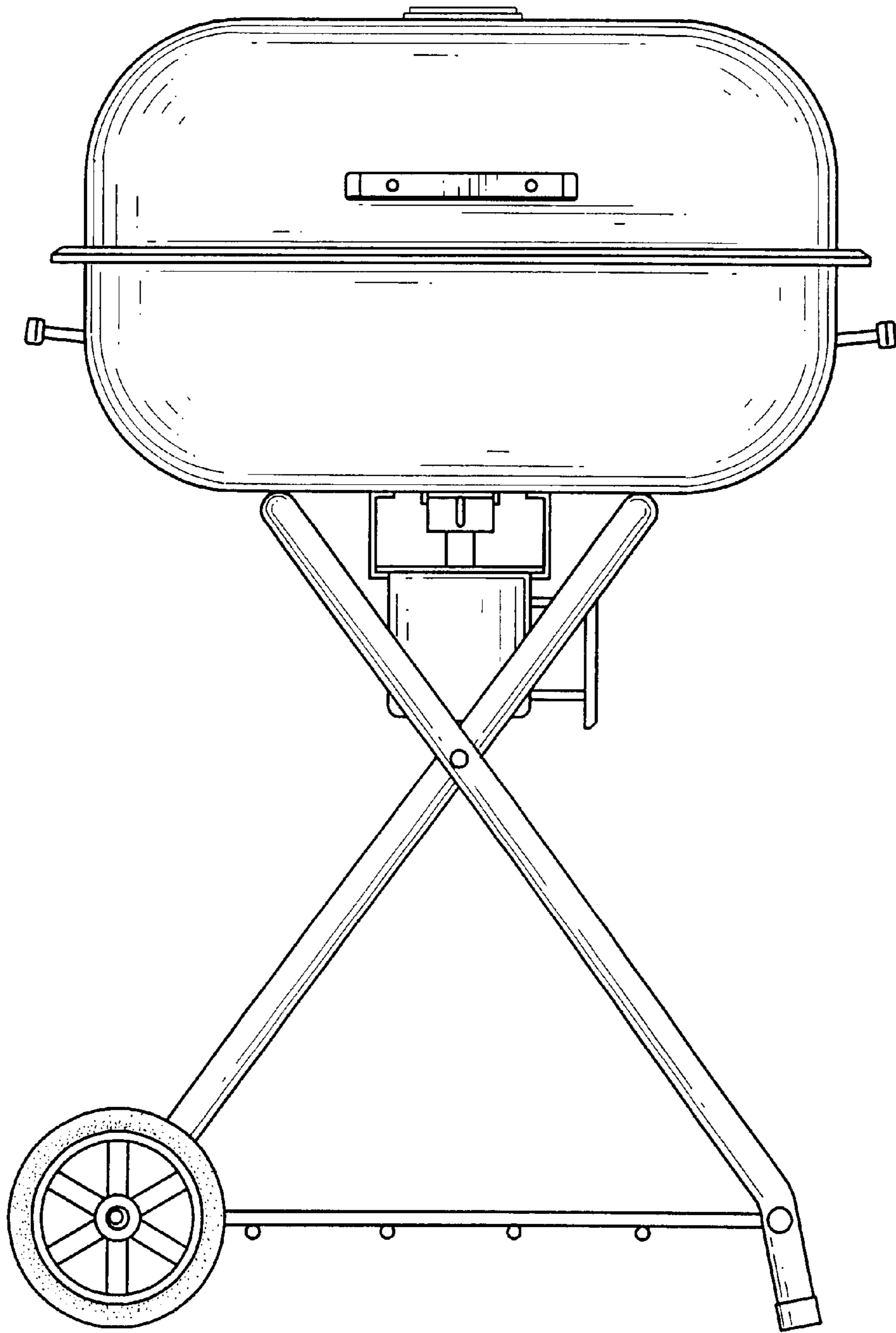


FIG.5

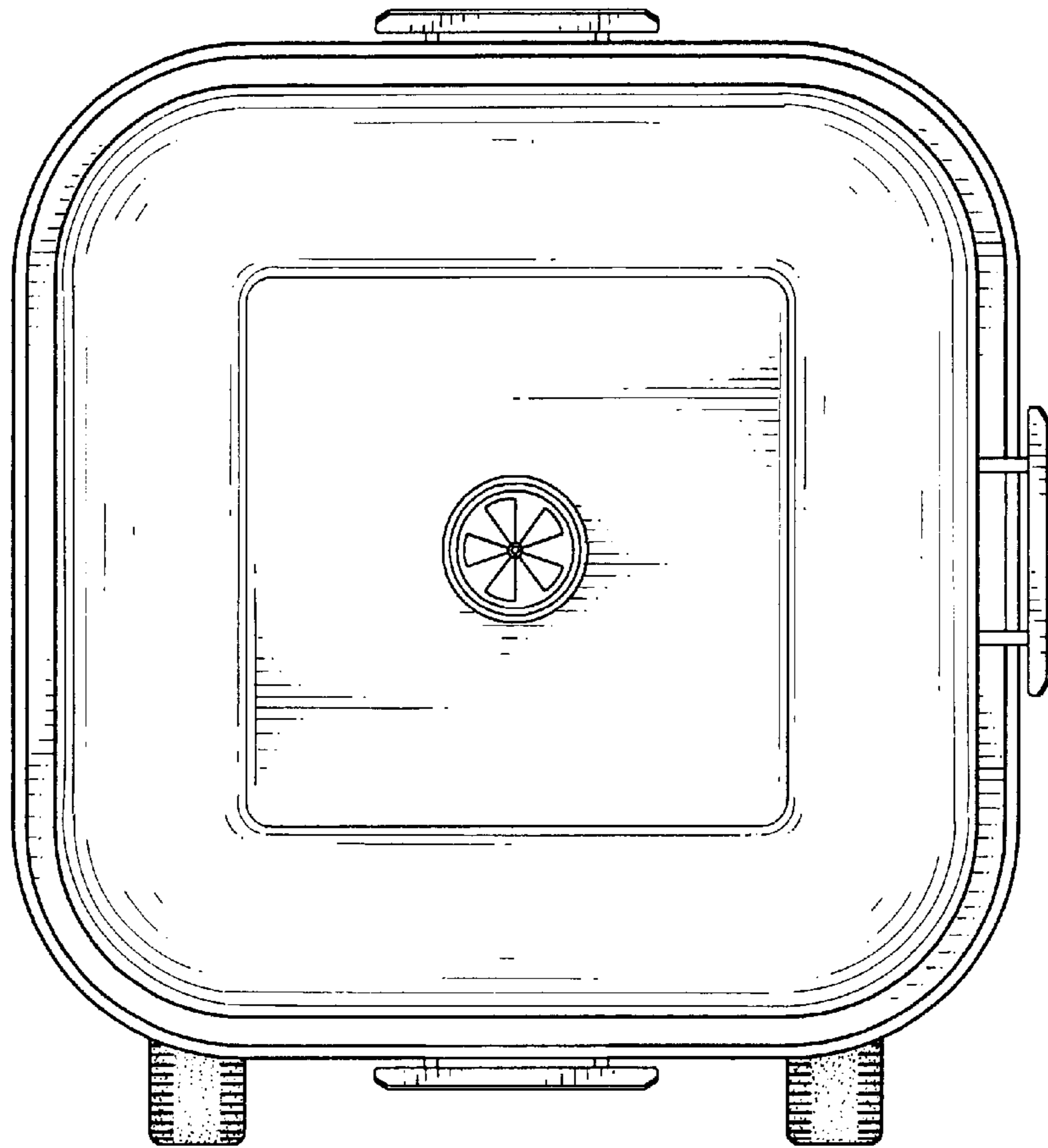


FIG.6

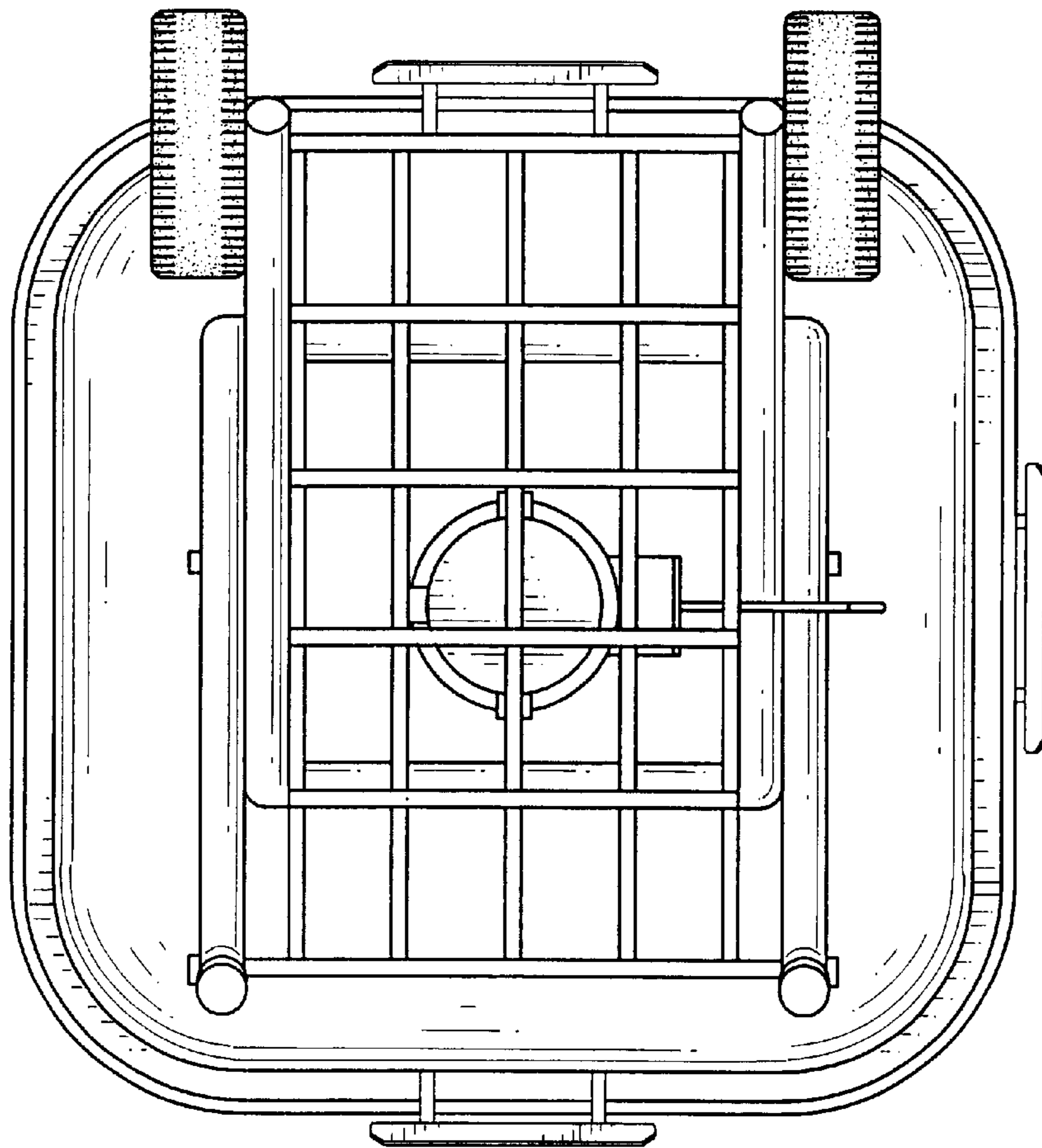


FIG.7