



US00D480905S

(12) **United States Design Patent**  
**Pai**

(10) **Patent No.:** **US D480,905 S**

(45) **Date of Patent:** **\*\* Oct. 21, 2003**

(54) **ROASTER**

(76) **Inventor:** **Jui-Yen Pai**, No. 617, Sec. 4, Chung Hua Rd., Hsin Chu City (TW)

(\*\*) **Term:** **14 Years**

(21) **Appl. No.:** **29/170,316**

(22) **Filed:** **Nov. 4, 2002**

(51) **LOC (7) Cl.** ..... **07-02**

(52) **U.S. Cl.** ..... **D7/334**

(58) **Field of Search** ..... D7/332-337, 402-404;  
126/25 R, 25 A, 25 AA, 41 R, 29-30, 9 R,  
9 A, 9 B, 8; 99/419, 421 R

(56) **References Cited**

**U.S. PATENT DOCUMENTS**

D188,879 S	*	9/1960	Gauss et al.	.....	D7/334
D192,199 S	*	2/1962	Watson et al.	.....	D7/334
4,062,340 A	*	12/1977	Huff	.....	126/25 R
D350,668 S	*	9/1994	Giebel et al.	.....	D7/334
5,394,590 A	*	3/1995	Yu	.....	16/357

D430,450 S	*	9/2000	Chester	.....	D7/334
6,439,221 B1	*	8/2002	Ward et al.	.....	126/25 R
D466,358 S	*	12/2002	Eisinger et al.	.....	D7/334
D474,063 S	*	5/2003	Eisinger et al.	.....	D7/334

\* cited by examiner

*Primary Examiner*—Ruth McInroy

(74) *Attorney, Agent, or Firm*—Alan D. Kamrath; Rider Bennett LLP

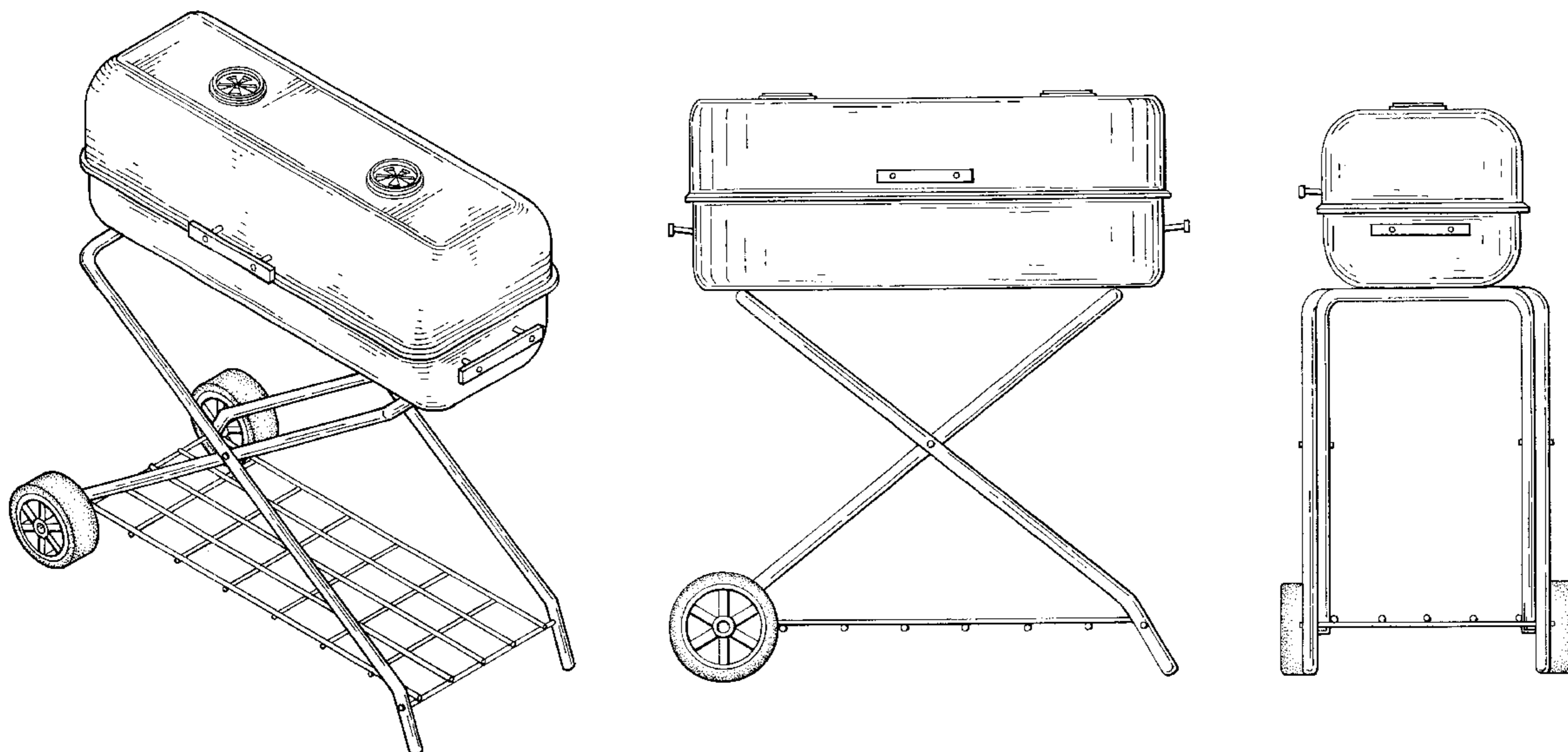
(57) **CLAIM**

The ornamental design for a roaster, as shown.

**DESCRIPTION**

FIG. 1 is a perspective view of a roaster, showing my new design;  
FIG. 2 is a front elevational view thereof;  
FIG. 3 is a rear elevational view thereof;  
FIG. 4 is a left elevational view thereof;  
FIG. 5 is a right elevational view thereof;  
FIG. 6 is top plan view thereof; and,  
FIG. 7 is a bottom plan view thereof.

**1 Claim, 6 Drawing Sheets**



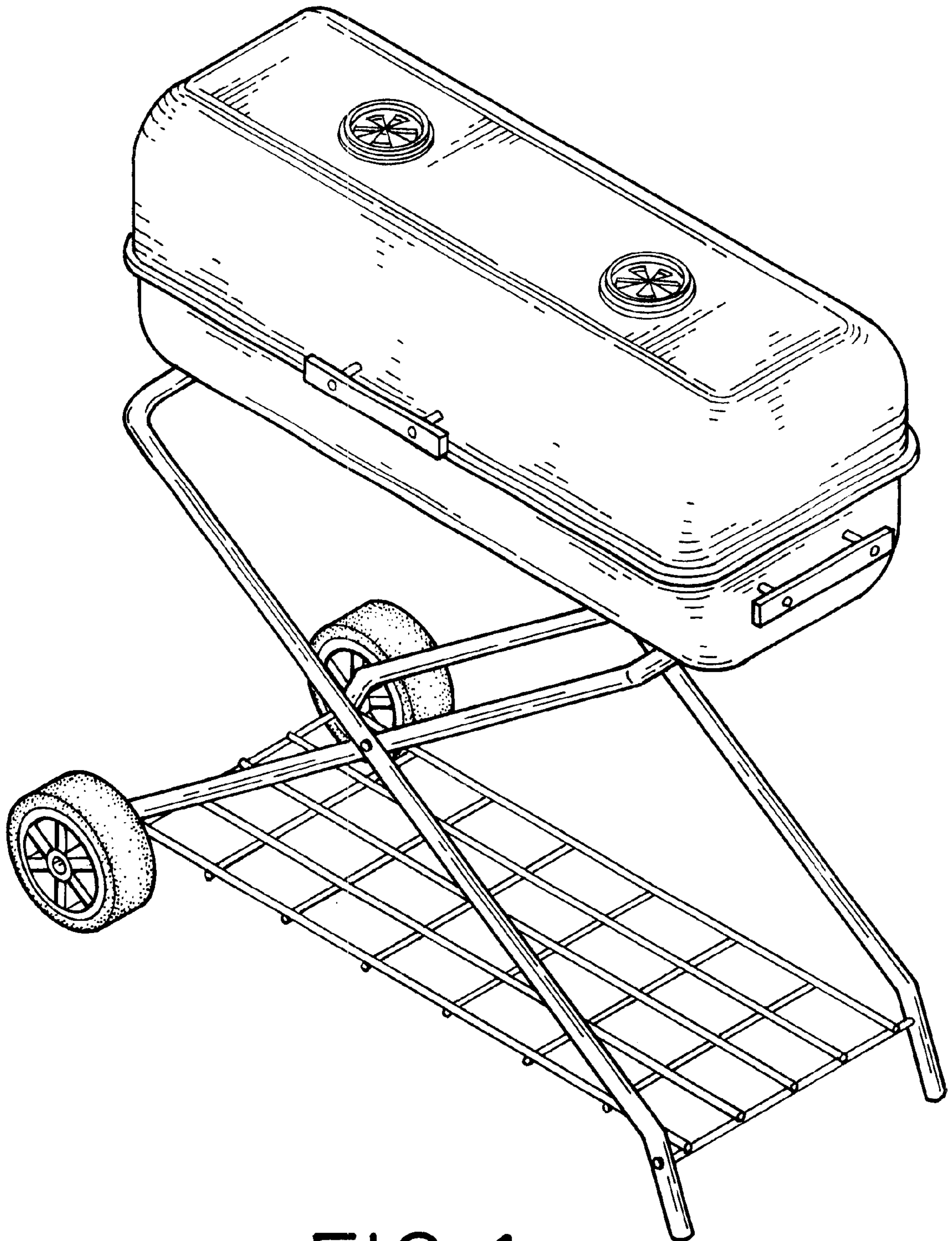


FIG. 1

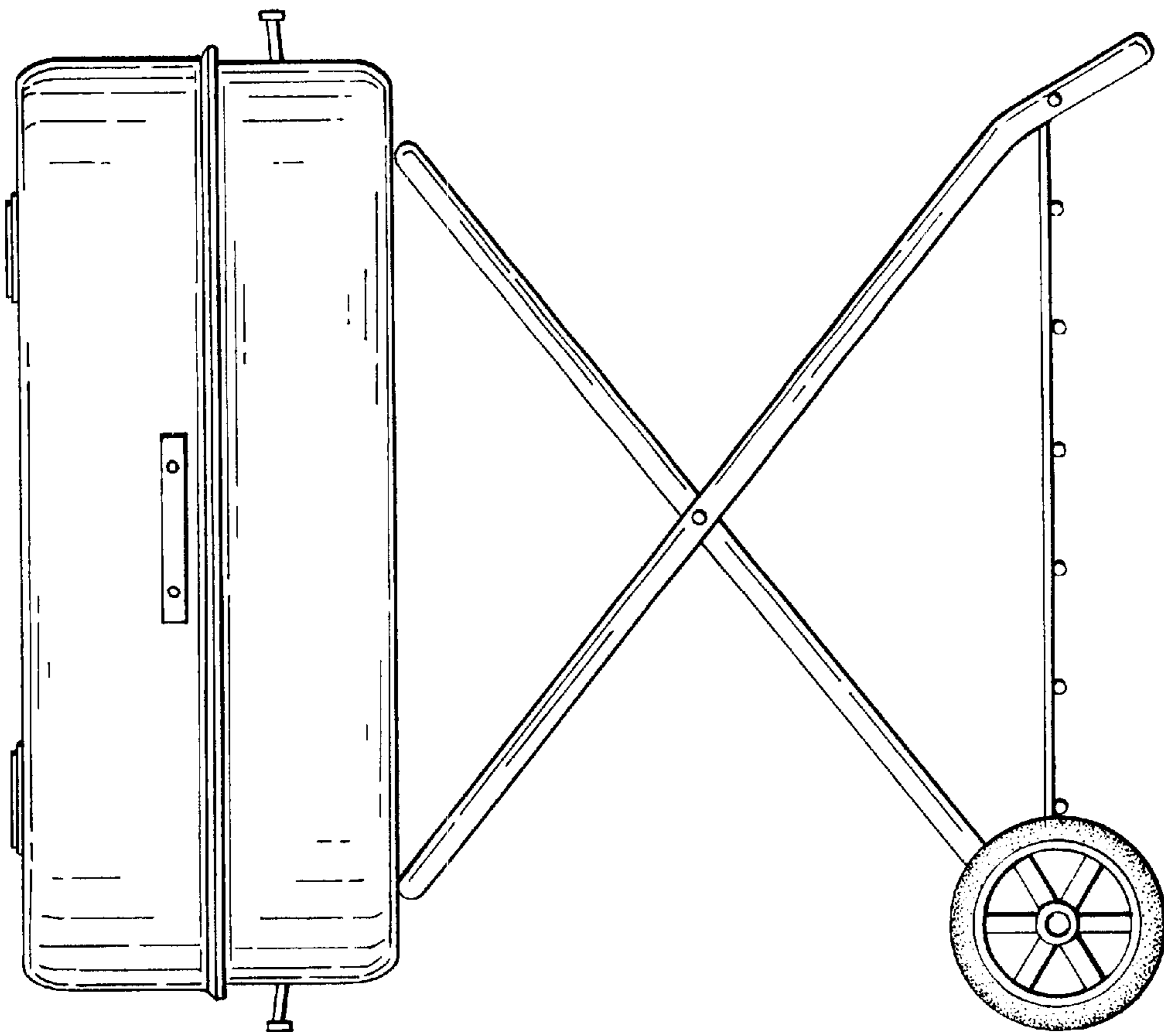


FIG. 2

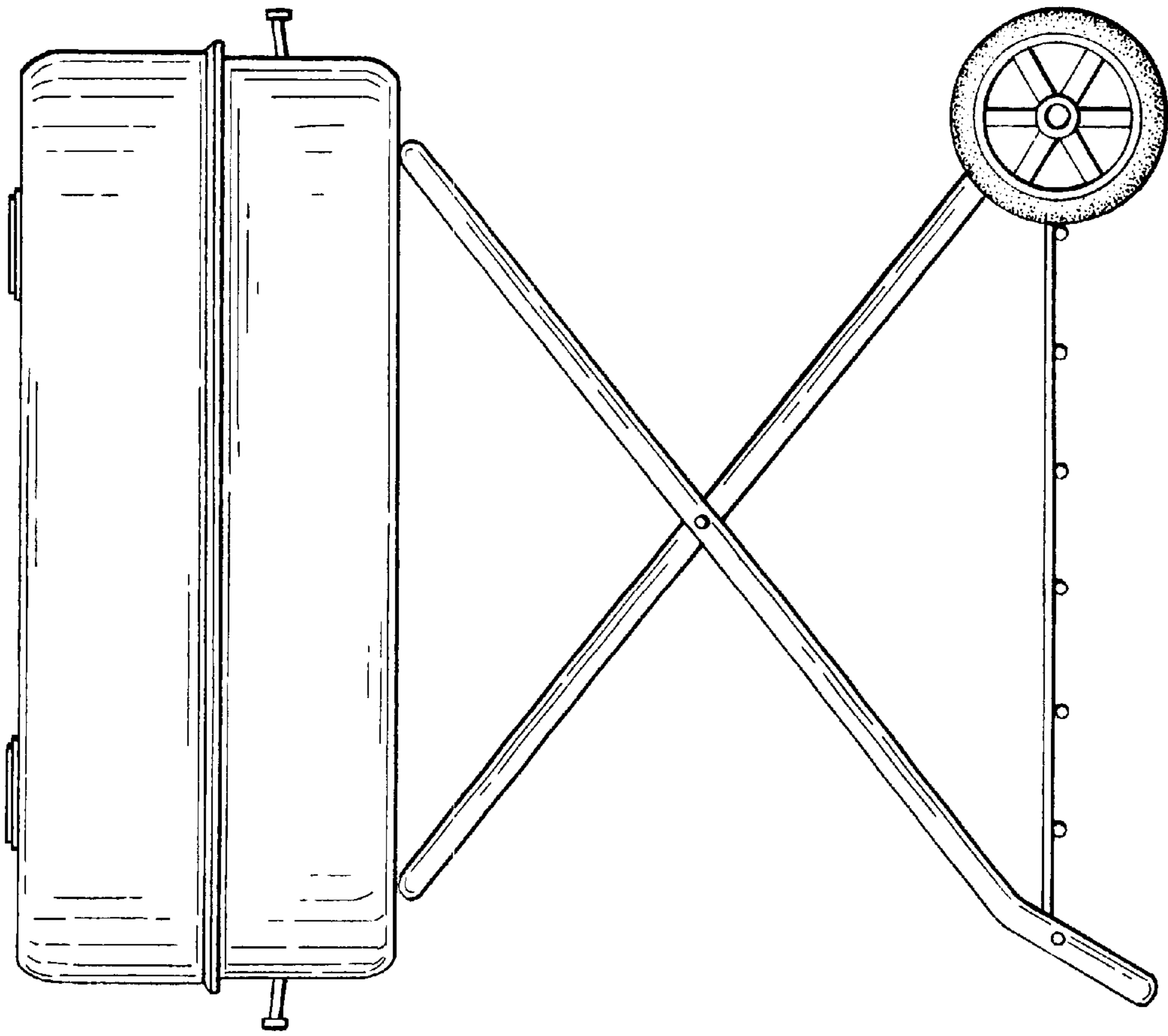


FIG. 3

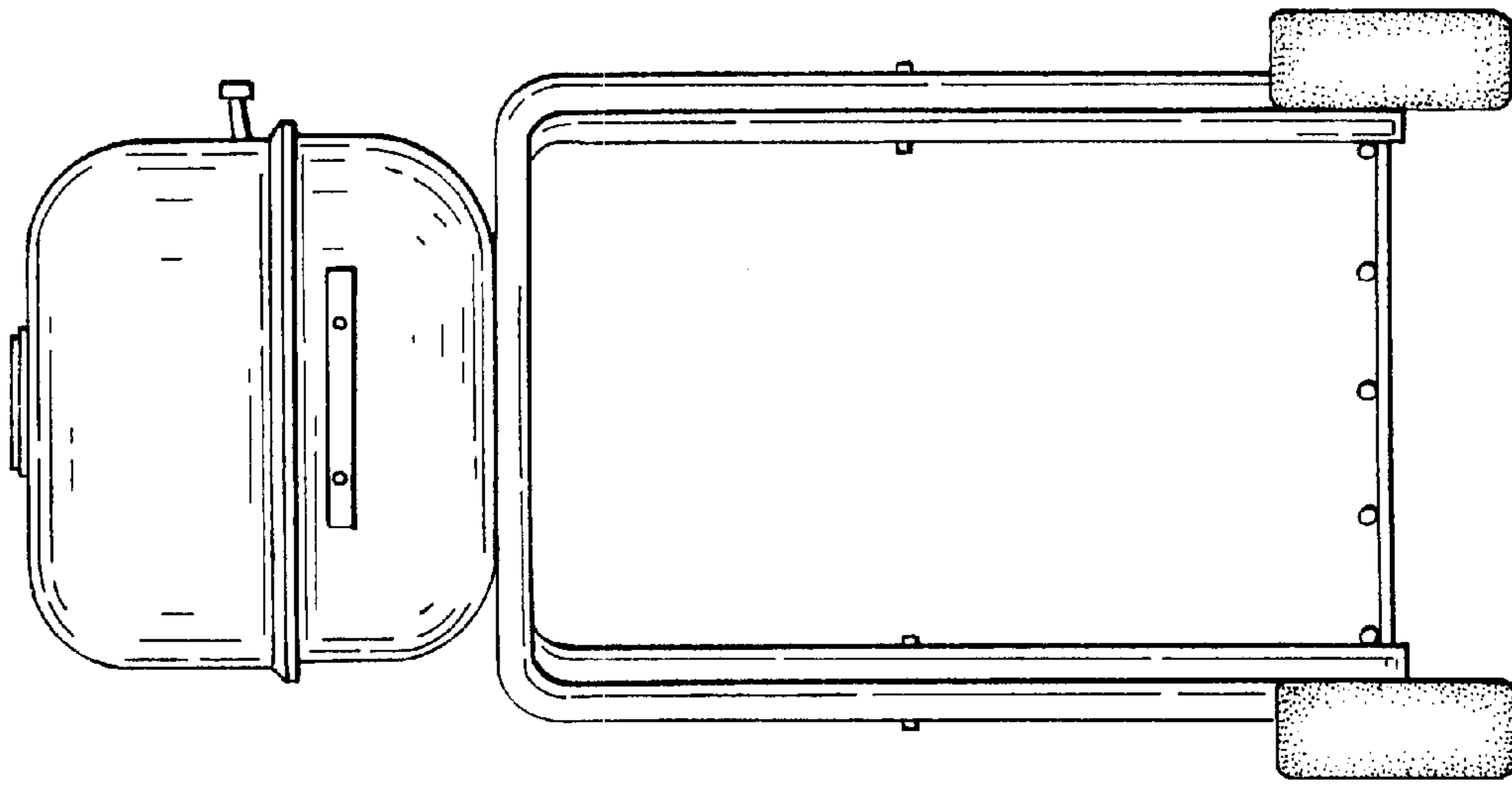


FIG. 4

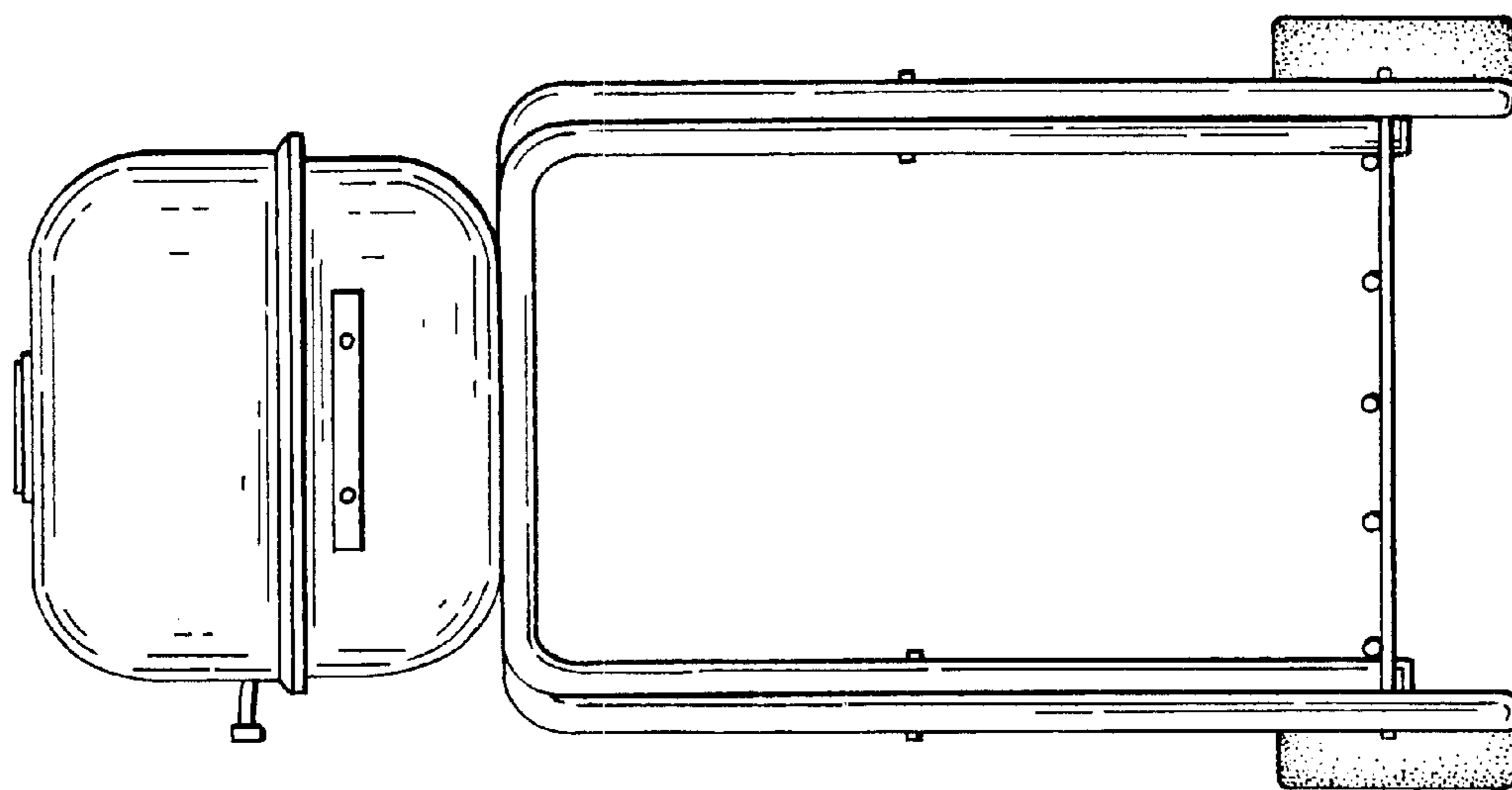


FIG. 5

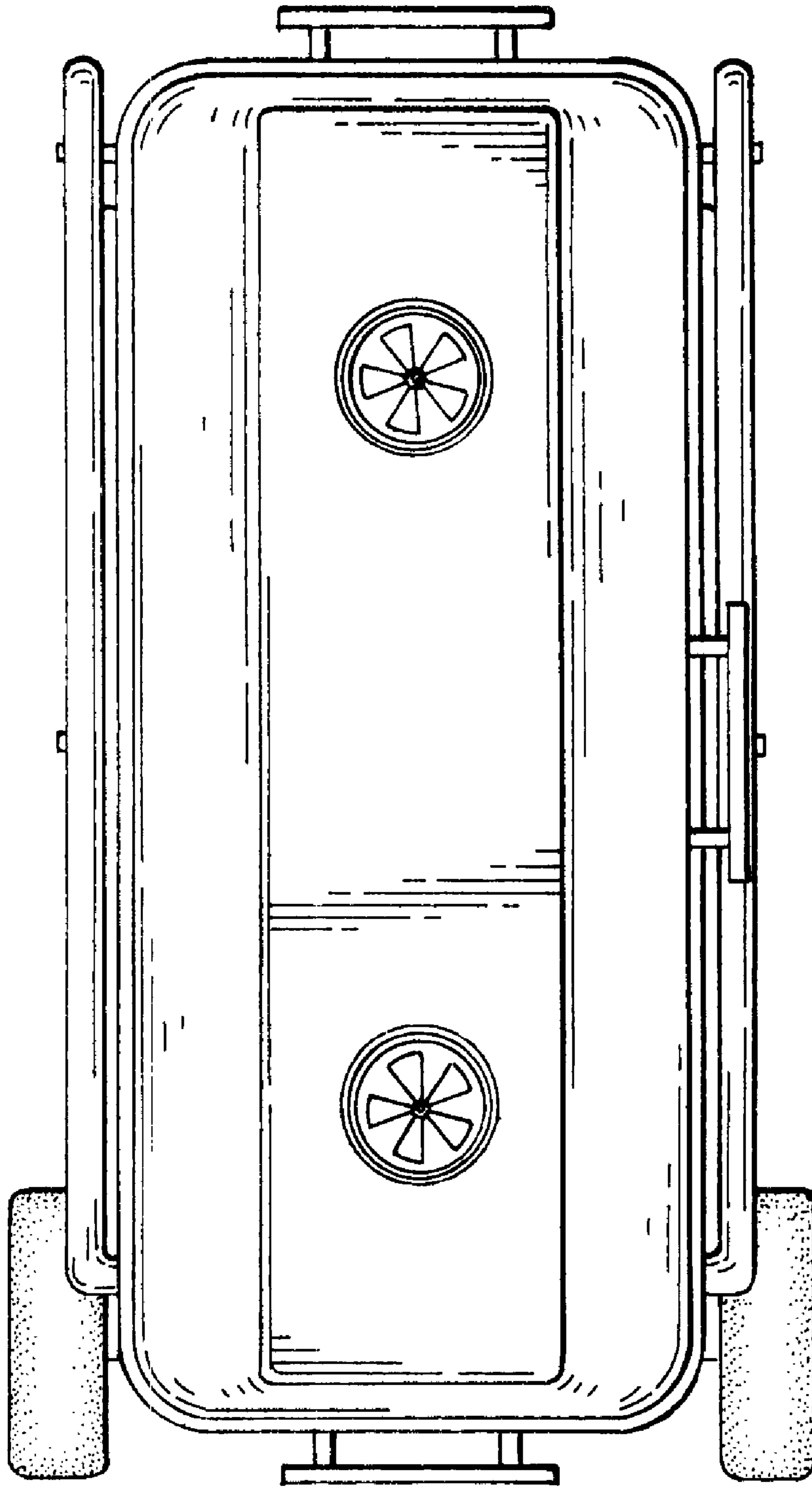


FIG. 6

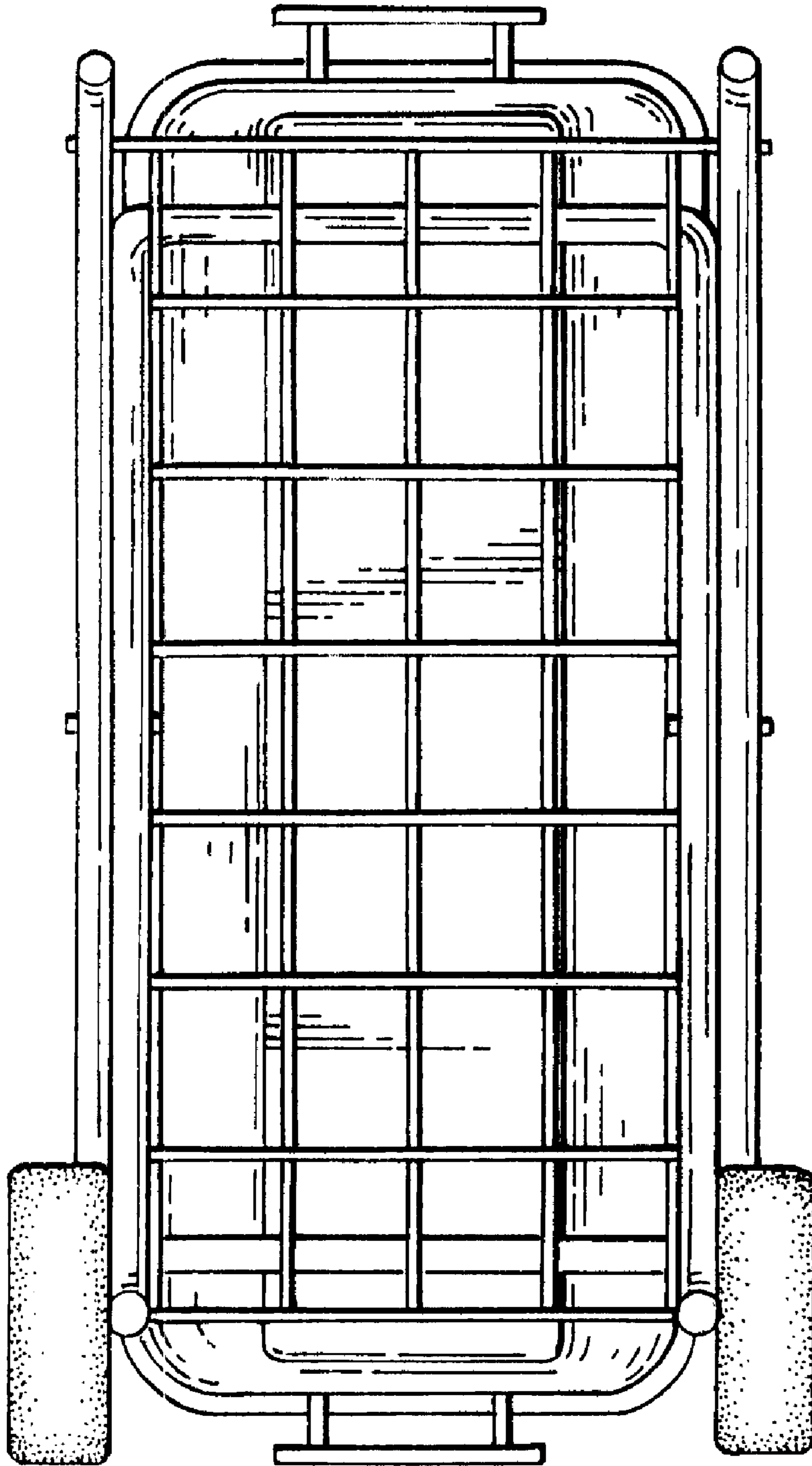


FIG. 7