



US00D480900S

(12) **United States Design Patent**  
**Tolfsen et al.**

(10) **Patent No.:** **US D480,900 S**

(45) **Date of Patent:** **\*\* Oct. 21, 2003**

(54) **BED SUPPORT**

D207,954 S \* 6/1967 Parker ..... D6/495  
D444,969 S \* 7/2001 Erickson et al. .... D6/495

(75) Inventors: **Ulf Tolfsen**, Fredrikstad (NO); **Michel S. Naert**, Västra Frölunda (SE); **Magnus Karemyr**, Tollered (SE)

\* cited by examiner

(73) Assignees: **Xdin AB (Publ)** (SE); **Labyrint Development AS** (NO)

*Primary Examiner*—Janice E. Seeger  
(74) *Attorney, Agent, or Firm*—Lerner, David, Littenberg, Krumholz & Mentlik, LLP

(\*\*) Term: **14 Years**

(21) Appl. No.: **29/177,986**

(22) Filed: **Mar. 19, 2003**

(57) **CLAIM**

The ornamental design for a bed support, as shown and described.

**Related U.S. Application Data**

**DESCRIPTION**

(62) Division of application No. 29/147,864, filed on Sep. 7, 2001.

FIG. 1 is a right side, perspective view of the bed support of the present invention;

(30) **Foreign Application Priority Data**

Mar. 12, 2001 (SE) ..... 01-0440

FIG. 2 is a left side, elevational view of the frame of the bed support shown in FIG. 1, with the right side being the mirror image thereof;

(51) **LOC (7) Cl.** ..... **06-06**

(52) **U.S. Cl.** ..... **D6/503**; D6/495

(58) **Field of Search** ..... D6/382–384, 397, D6/392–395, 505–508, 495, 496, 498; 5/53.1, 279.1, 280, 281, 310, 907, 211, 618, 600, 611–614, 179–180, 286

FIG. 3 is a front, elevational view of the bed support shown in FIG. 1, with the rear view being a mirror image thereof;

FIG. 4 is a top, elevational view of the bed support shown in FIG. 1; and,

FIG. 5 is a bottom, elevational view of the bed support shown in FIG. 1.

(56) **References Cited**

**U.S. PATENT DOCUMENTS**

D168,524 S \* 12/1952 Thomas ..... D6/486

**1 Claim, 4 Drawing Sheets**

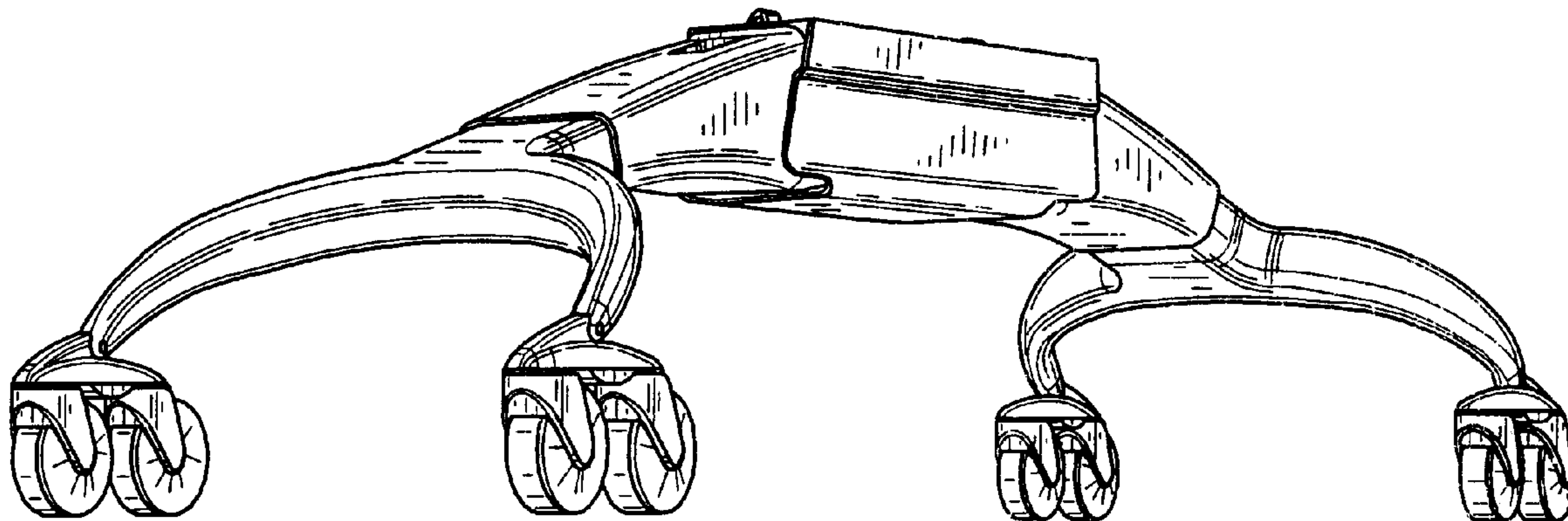


FIG. 1

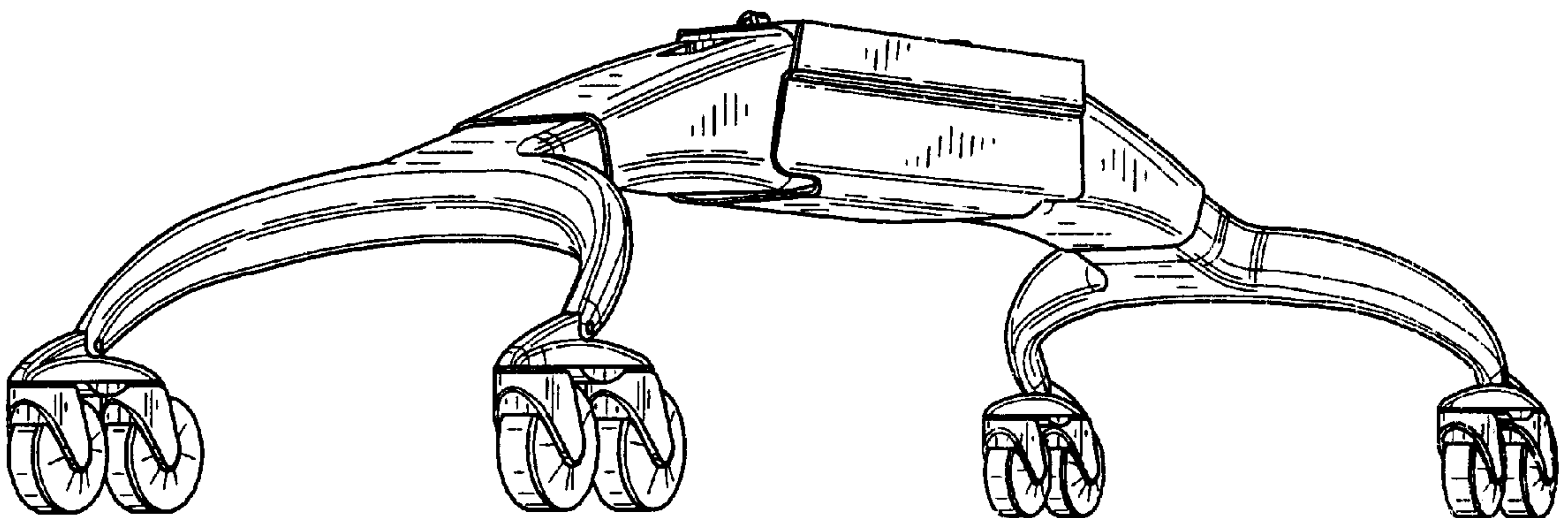


FIG. 2

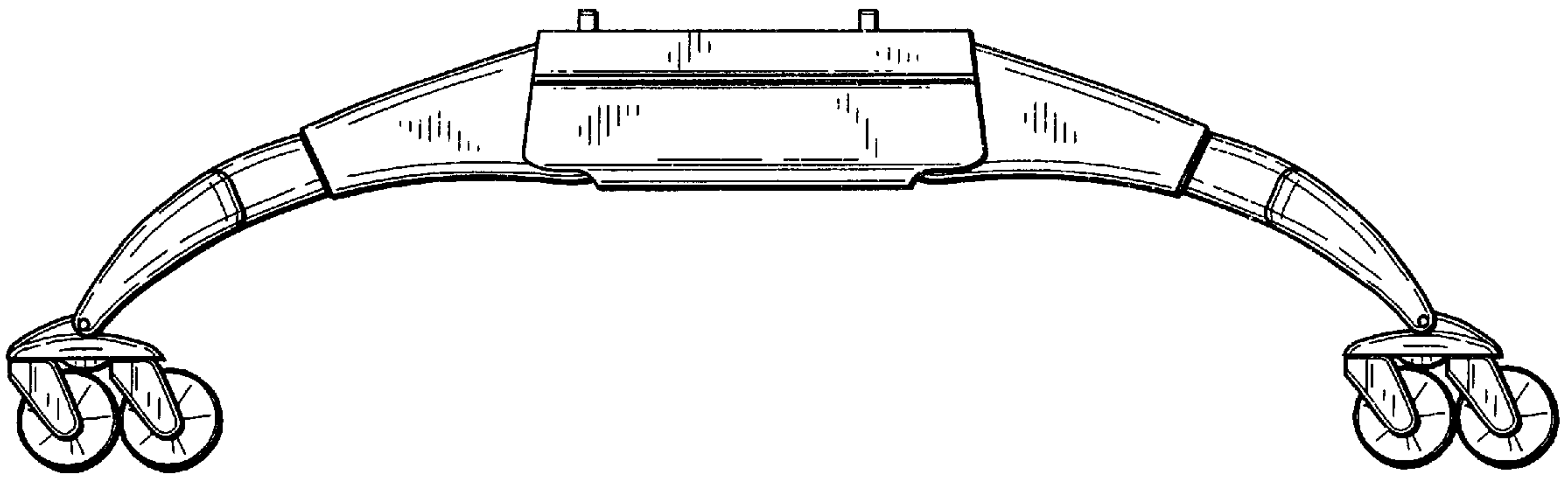


FIG. 3

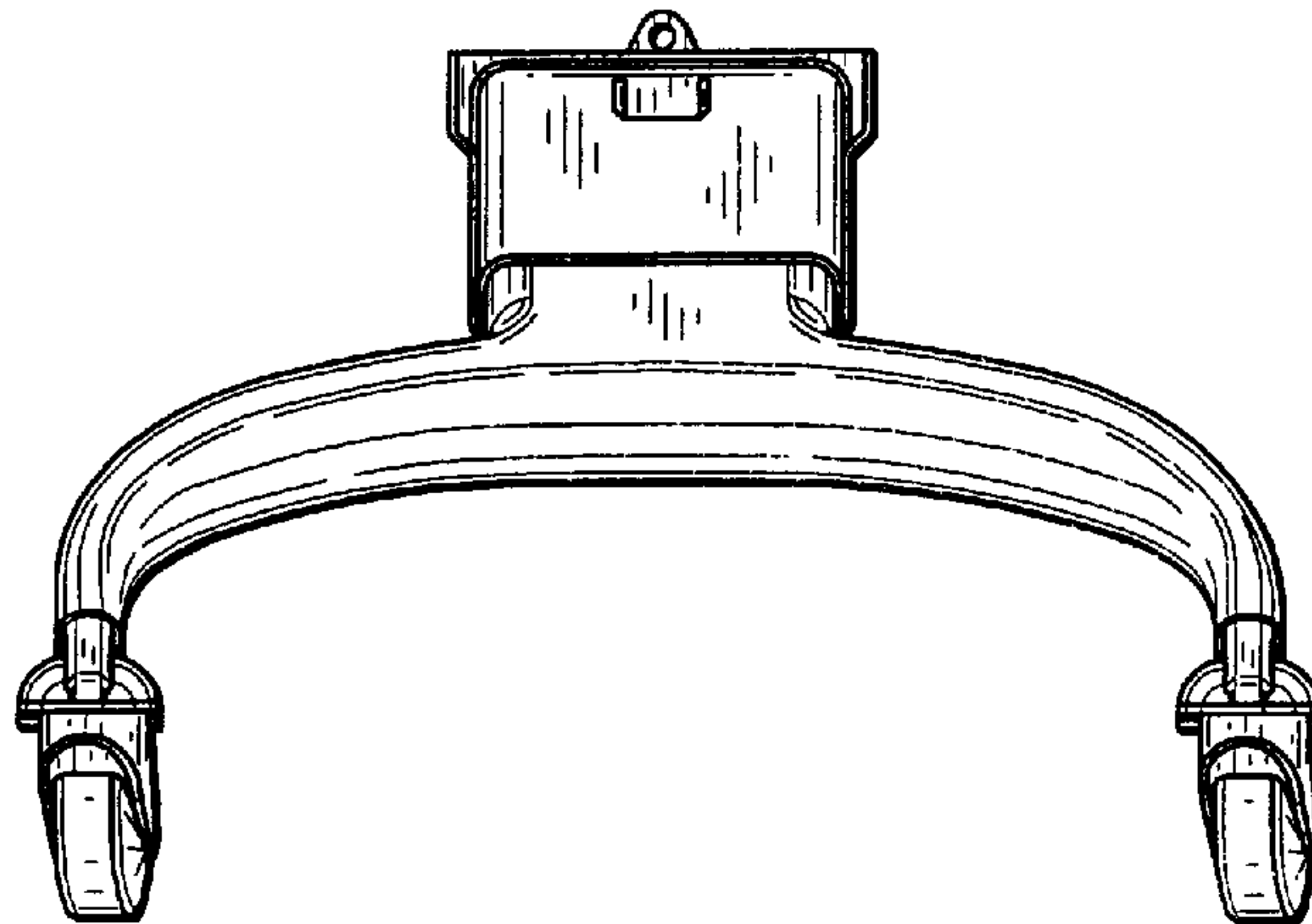


FIG. 4

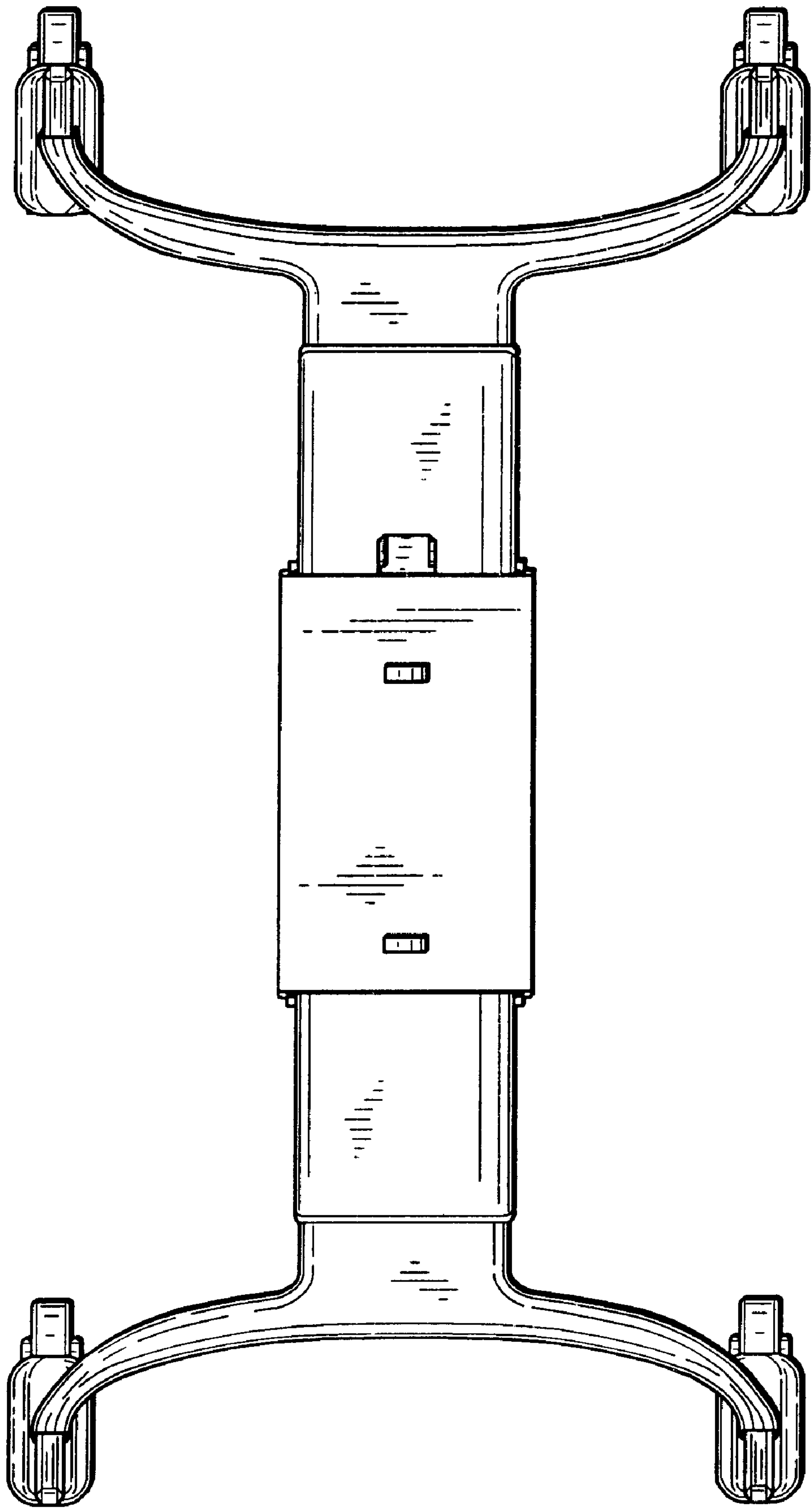
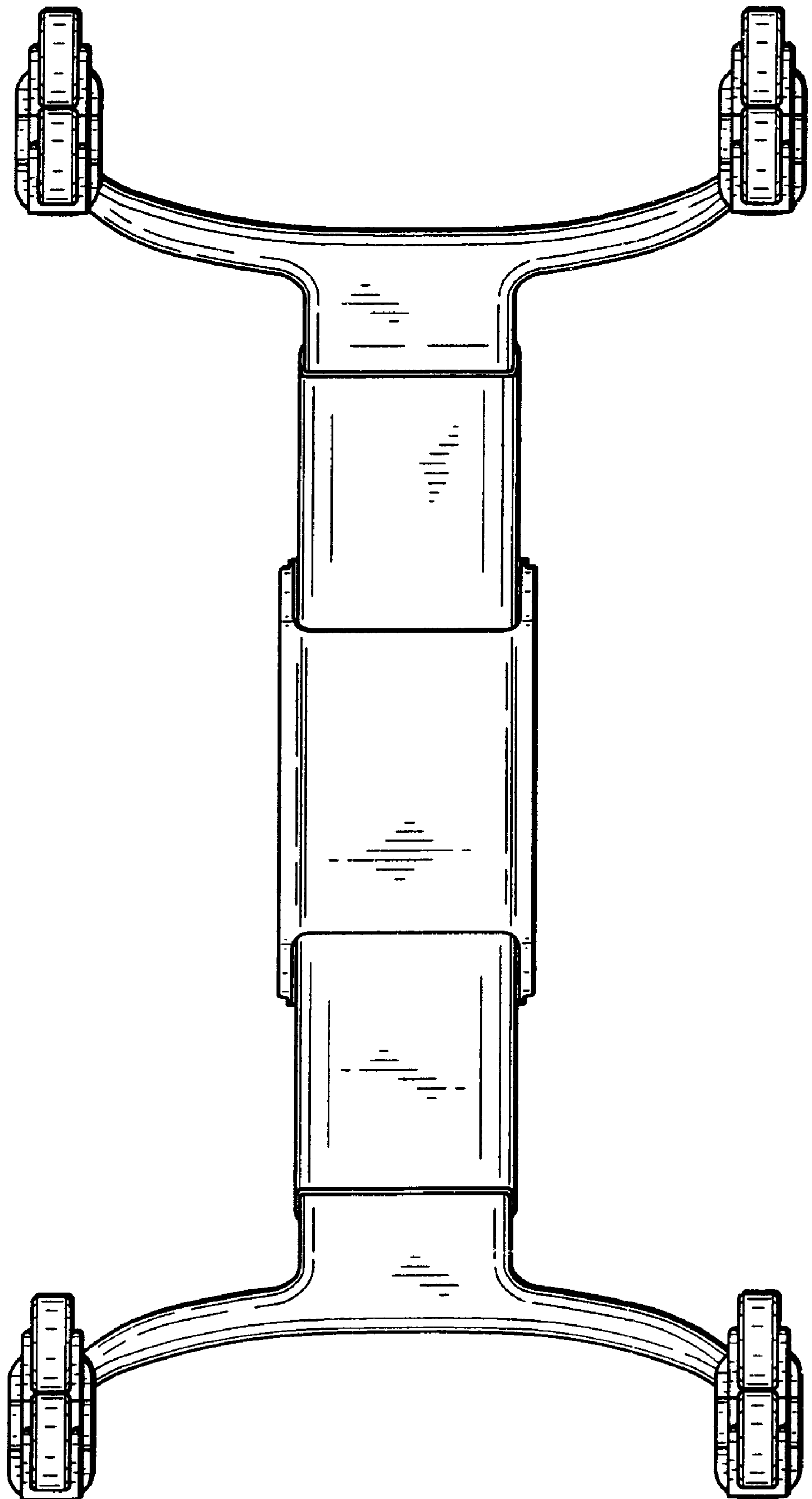


FIG. 5



UNITED STATES PATENT AND TRADEMARK OFFICE  
**CERTIFICATE OF CORRECTION**

PATENT NO. : Des. 480,900 S  
DATED : October 21, 2003  
INVENTOR(S) : Ulf Tolfen, Michel S. Naert and Magnus Karemyr

Page 1 of 1

It is certified that error appears in the above-identified patent and that said Letters Patent is hereby corrected as shown below:

Title page,

Item [73], Assignee, "**Xdin AB**" should read -- **XDIN AB** --.

Signed and Sealed this

Ninth Day of December, 2003

A handwritten signature in black ink, appearing to read "James E. Rogan", with a horizontal line drawn underneath it.

JAMES E. ROGAN  
*Director of the United States Patent and Trademark Office*