



US00D480894S

(12) **United States Design Patent** (10) **Patent No.:** **US D480,894 S**  
**Groves** (45) **Date of Patent:** **\*\* Oct. 21, 2003**

(54) **ORGANIZER FOR DOCUMENTS AND THE LIKE**

(75) Inventor: **Richard Litchfield Groves, Clayfield (AU)**

(73) Assignee: **The file & Go Company Pty Ltd., Clayfield (AU)**

(\*\*) Term: **14 Years**

(21) Appl. No.: **29/161,668**

(22) Filed: **May 30, 2002**

(30) **Foreign Application Priority Data**

Nov. 30, 2001 (AU) ..... 3828/2001

(51) **LOC (7) Cl.** ..... **06-04**

(52) **U.S. Cl.** ..... **D6/436; D19/75**

(58) **Field of Search** ..... D6/396, 397, 432, D6/436, 445, 446, 448; D19/75, 86, 90-92; 211/13.1, 49.1, 50; 229/121; 312/249.8, 249.11, 293.2, 249.2, 204, 348.4

(56) **References Cited**

**U.S. PATENT DOCUMENTS**

764,930	A	*	7/1904	Dolan	.....	312/190
D158,930	S	*	6/1950	Burgold	.....	D6/446
3,628,842	A	*	12/1971	Wright	.....	312/293.2 X
4,669,790	A	*	6/1987	Briggs	.....	312/283.2 X
5,259,631	A	*	11/1993	Brande	.....	229/121
5,690,401	A	*	11/1997	Franklin	.....	312/293.2 X
D394,879	S	*	6/1998	Carbonaro	.....	D19/78
D397,262	S	*	8/1998	Thomas	.....	D6/446
D408,058	S	*	4/1999	Isaacs	.....	D19/85
D408,858	S	*	4/1999	Stravitz	.....	D19/75
D464,823	S	*	10/2002	Malone	.....	D6/432

\* cited by examiner

*Primary Examiner*—Cathron C. Brooks

(74) *Attorney, Agent, or Firm*—Abelman, Frayne & Schwab

(57) **CLAIM**

The ornamental design for an organizer for documents and the like, as shown and described.

**DESCRIPTION**

FIG. 1 is a top and right side perspective view of an organizer for documents and the like having the front door in a closed position;

The left side is not shown and is a mirror image of the right side as shown. The bottom and rear sides are not shown and form no part of the claimed design;

FIG. 2 is a top and right side perspective view of the organizer of FIG. 1 with the front door in the open position and illustrating a preferred embodiment of the invention wherein two drawers are provided, with additional spaces being provided for documents, ledger books and binders as shown in dash lines for environmental purposes only and forming no part of the claimed design;

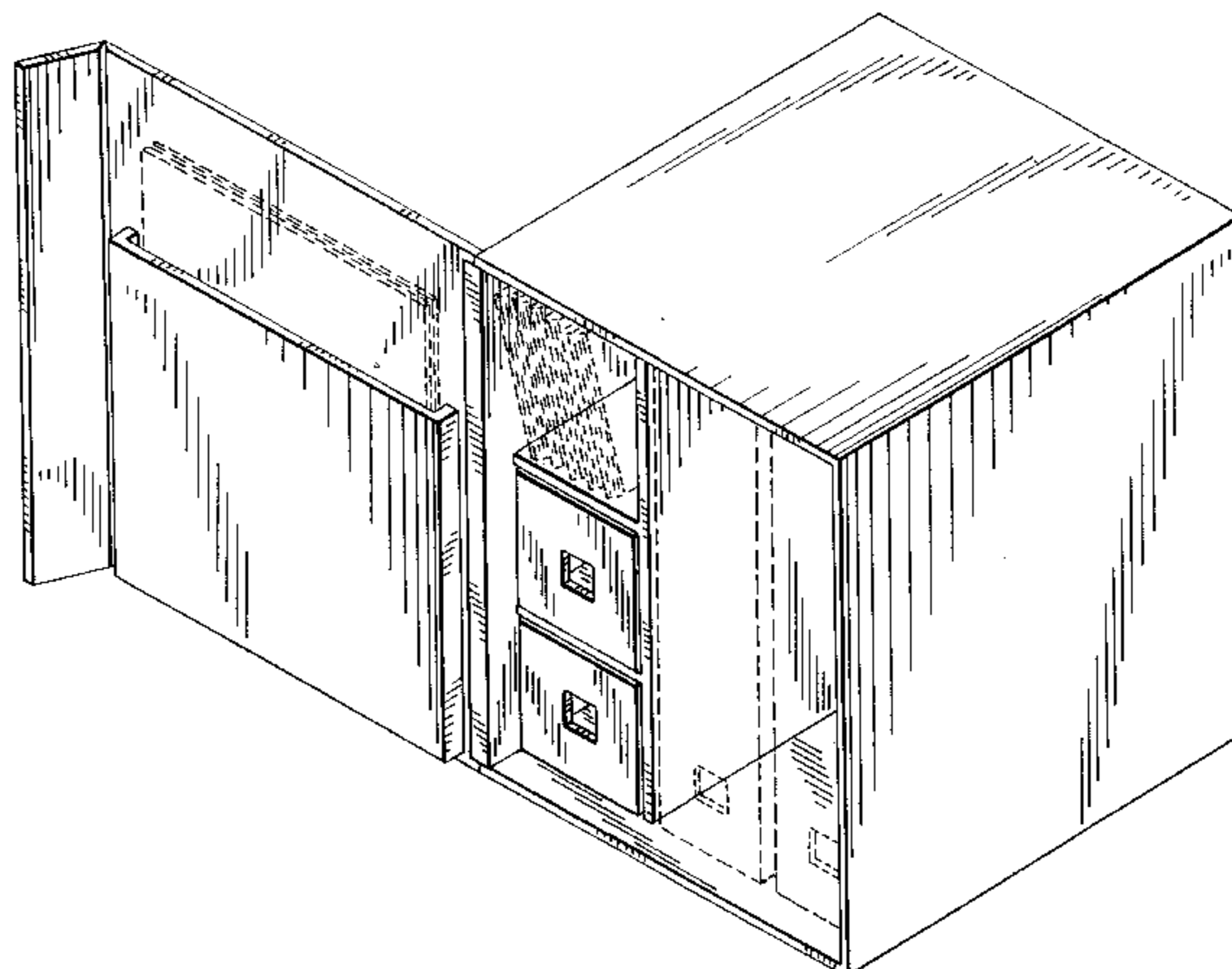
FIG. 3 is a front elevational view thereof;

FIG. 4 is a top and right side perspective view of an alternative embodiment of the organizer of FIG. 2, wherein one drawer is provided for containing documents and the like, with spaces provided for containing such items as documents, ledger books and binders, the exemplary documents and binders being shown in dash lines for environmental purposes only and forming no part of the claimed design;

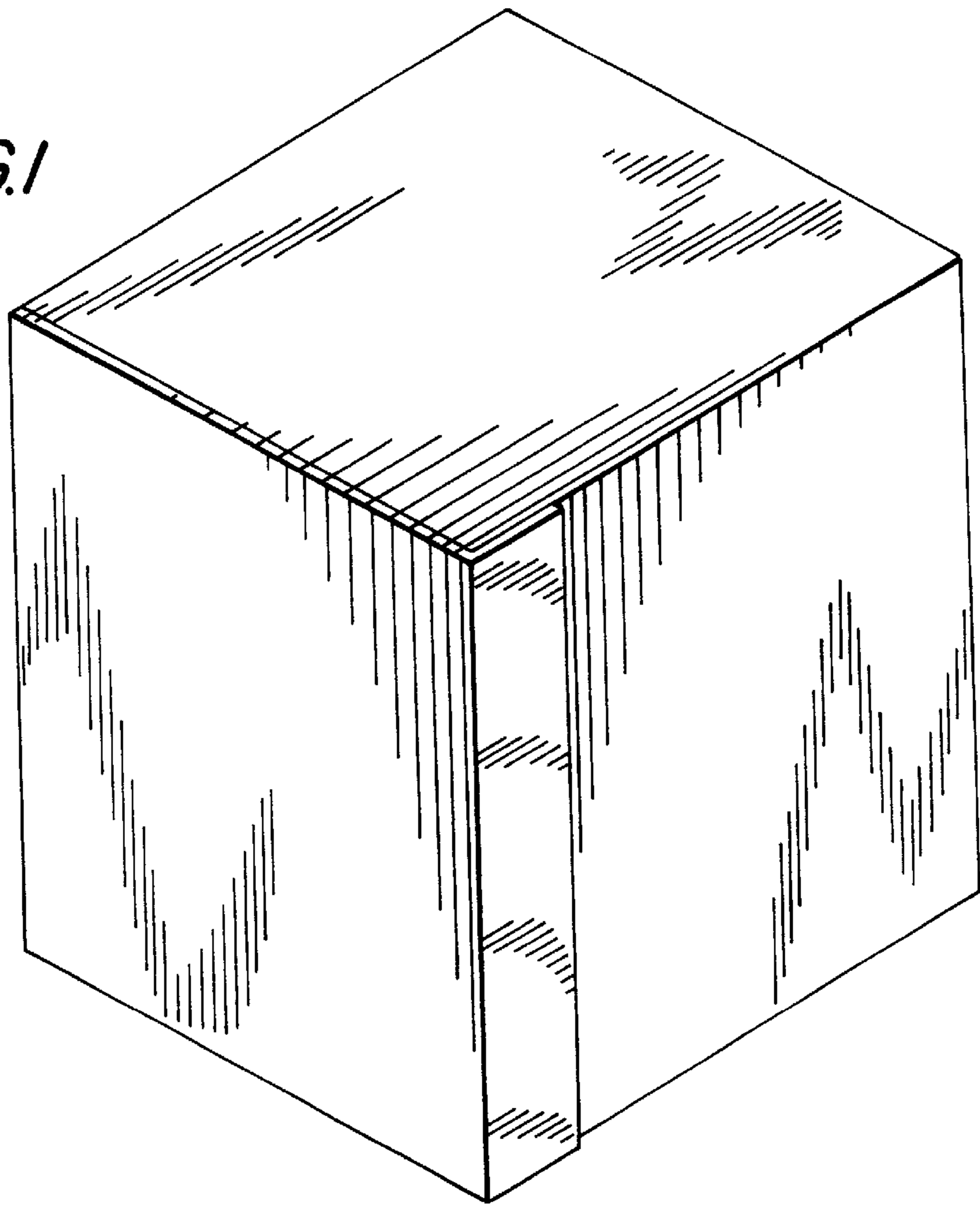
FIG. 5 is a top and right side perspective view of another alternative embodiment of the organizer of the present invention, wherein a single drawer is provided for documents and the like, with additional spaces being provided for such items as documents, ledgers and binders, exemplary documents and binders being shown in dash lines for environmental purposes only and forming no part of the claimed design; and,

FIG. 6 is a top and right side perspective view illustrating another alternative embodiment of the organizer of the present invention, wherein two drawers are provided with a space therebetween, and additional spaces are provided as shown for containing documents, ledgers, binders and the like, exemplary binders being shown in dash lines in the vertical space to the right of the drawers for environmental purposes only and forming no part of the claimed design.

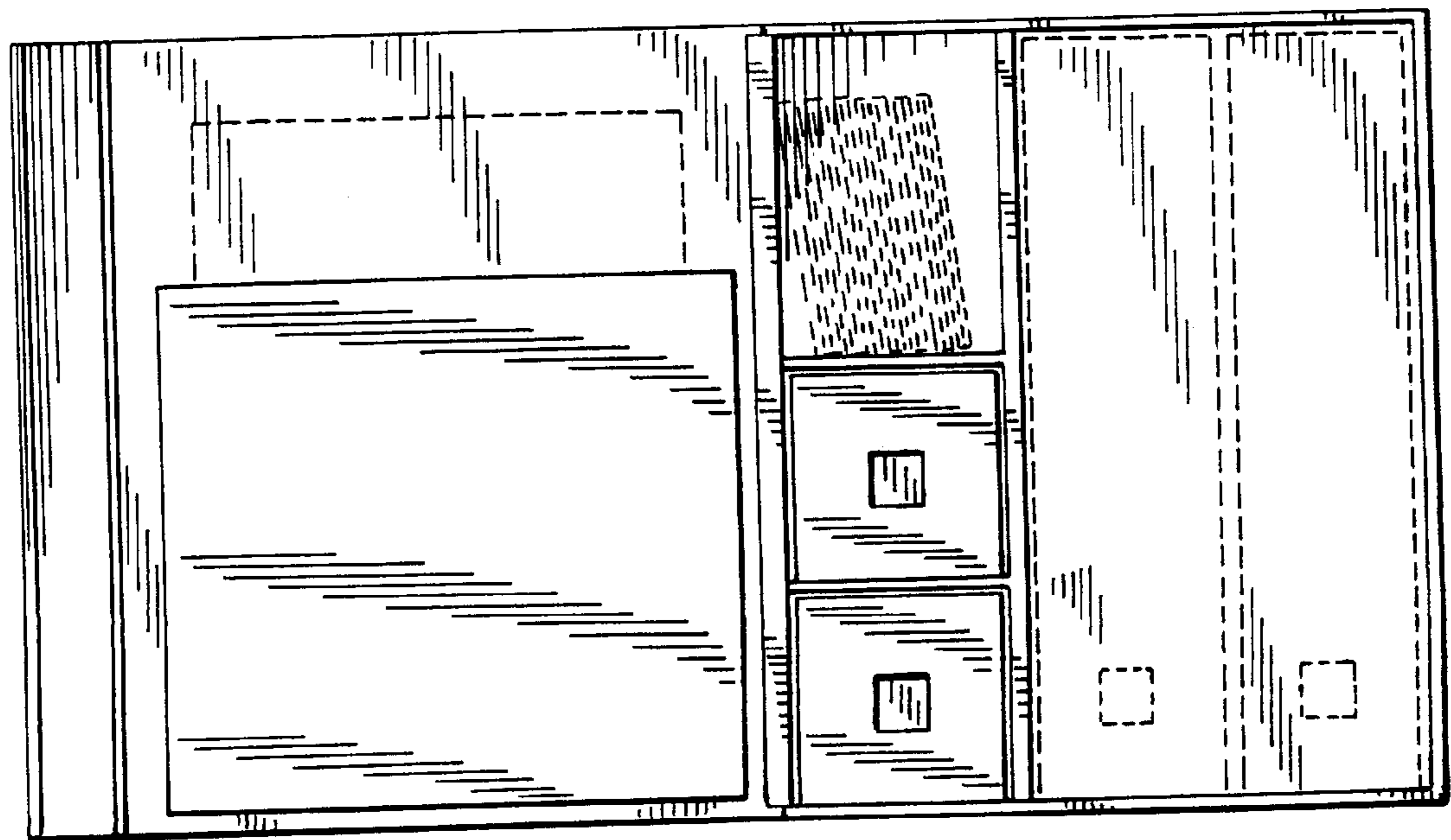
**1 Claim, 5 Drawing Sheets**



*FIG. 1*



*FIG. 3*



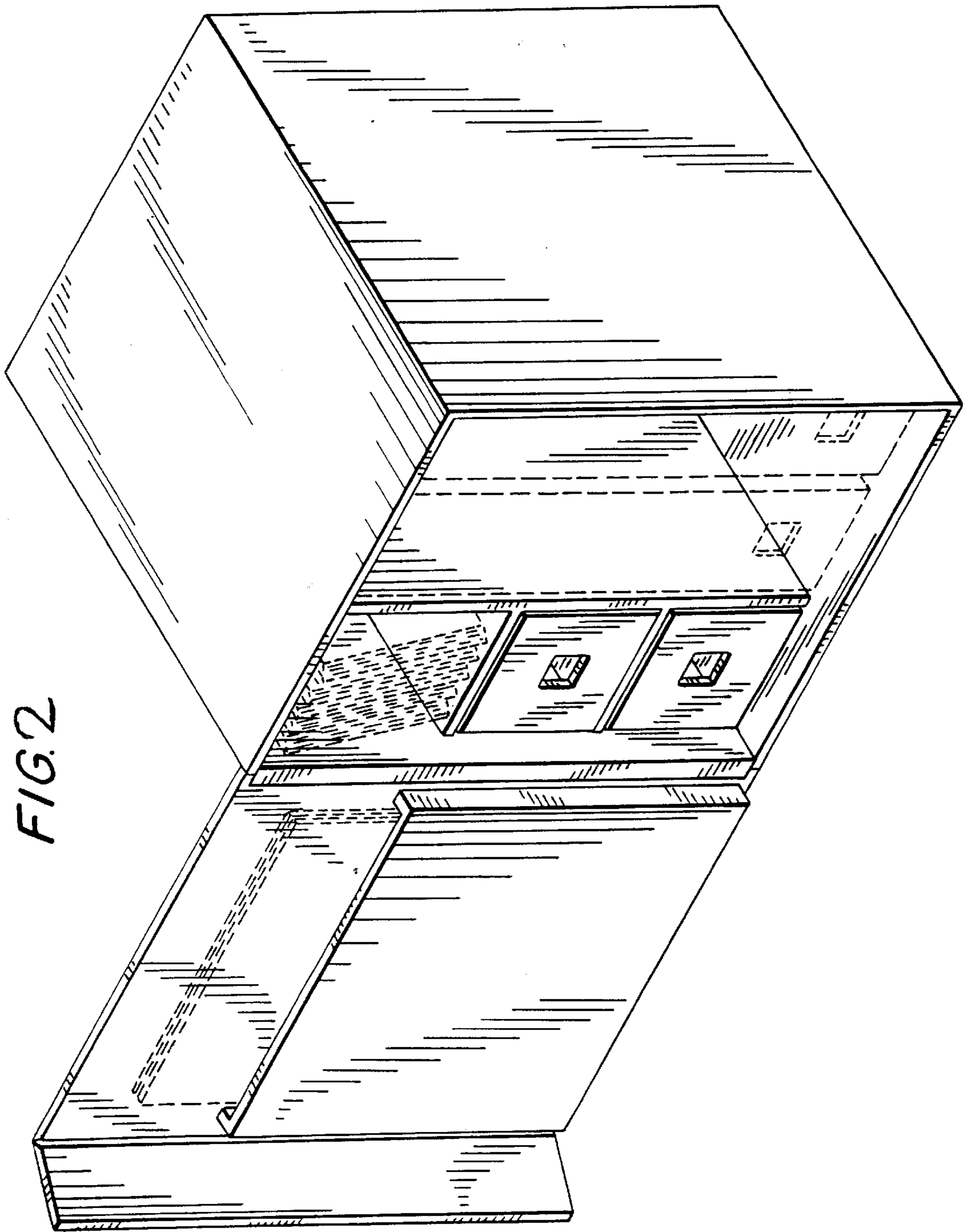


FIG. 2

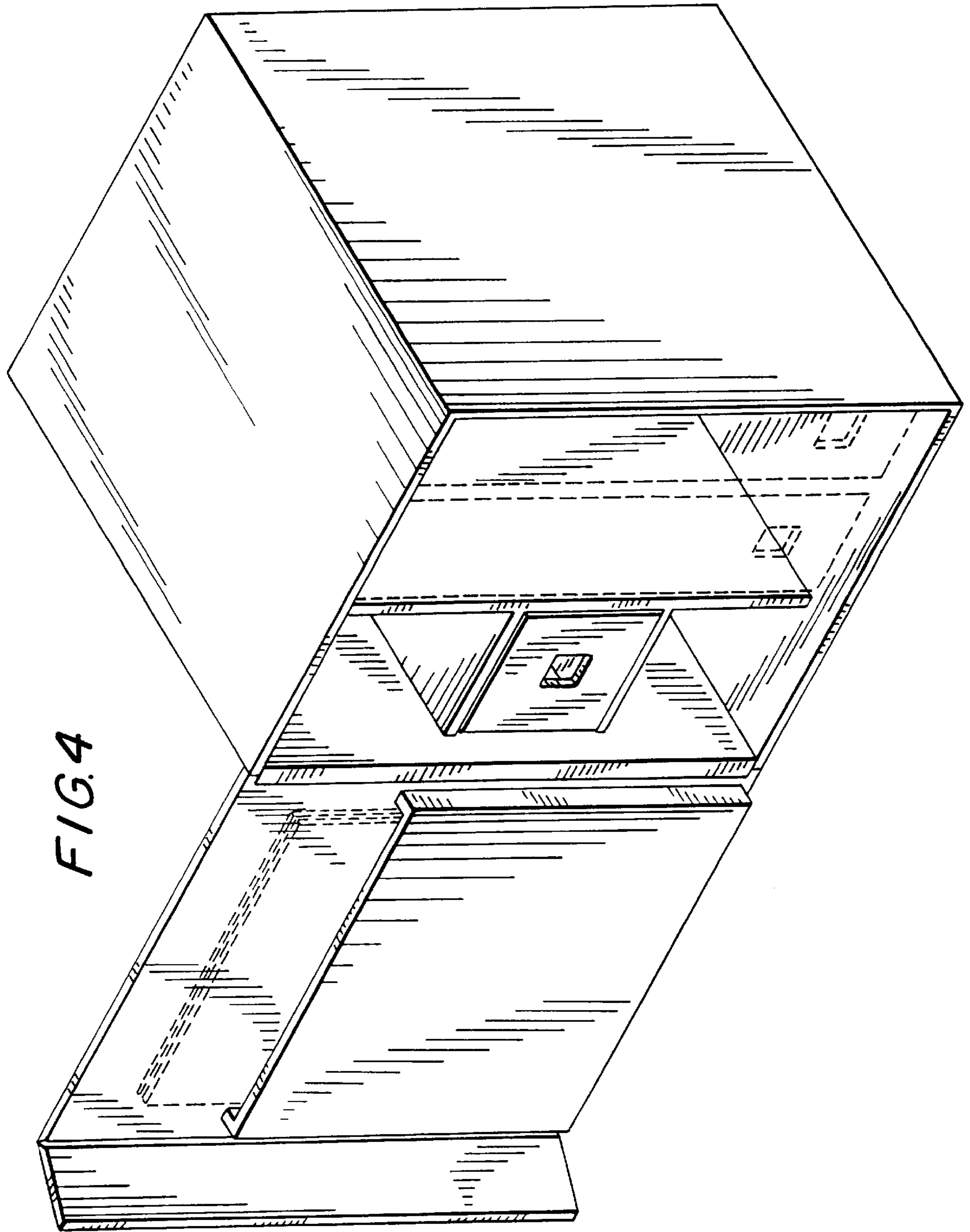


FIG. 4

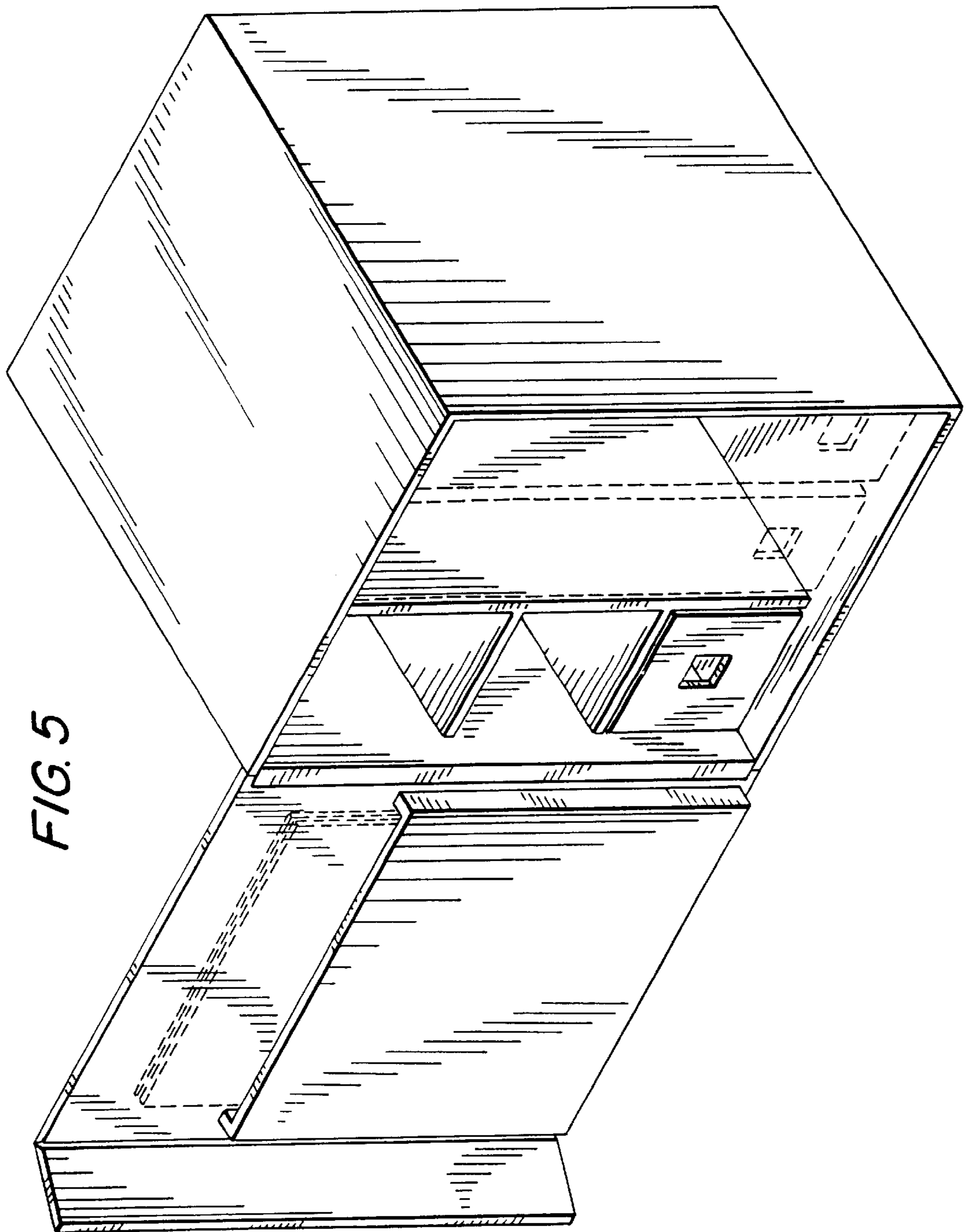


FIG. 5

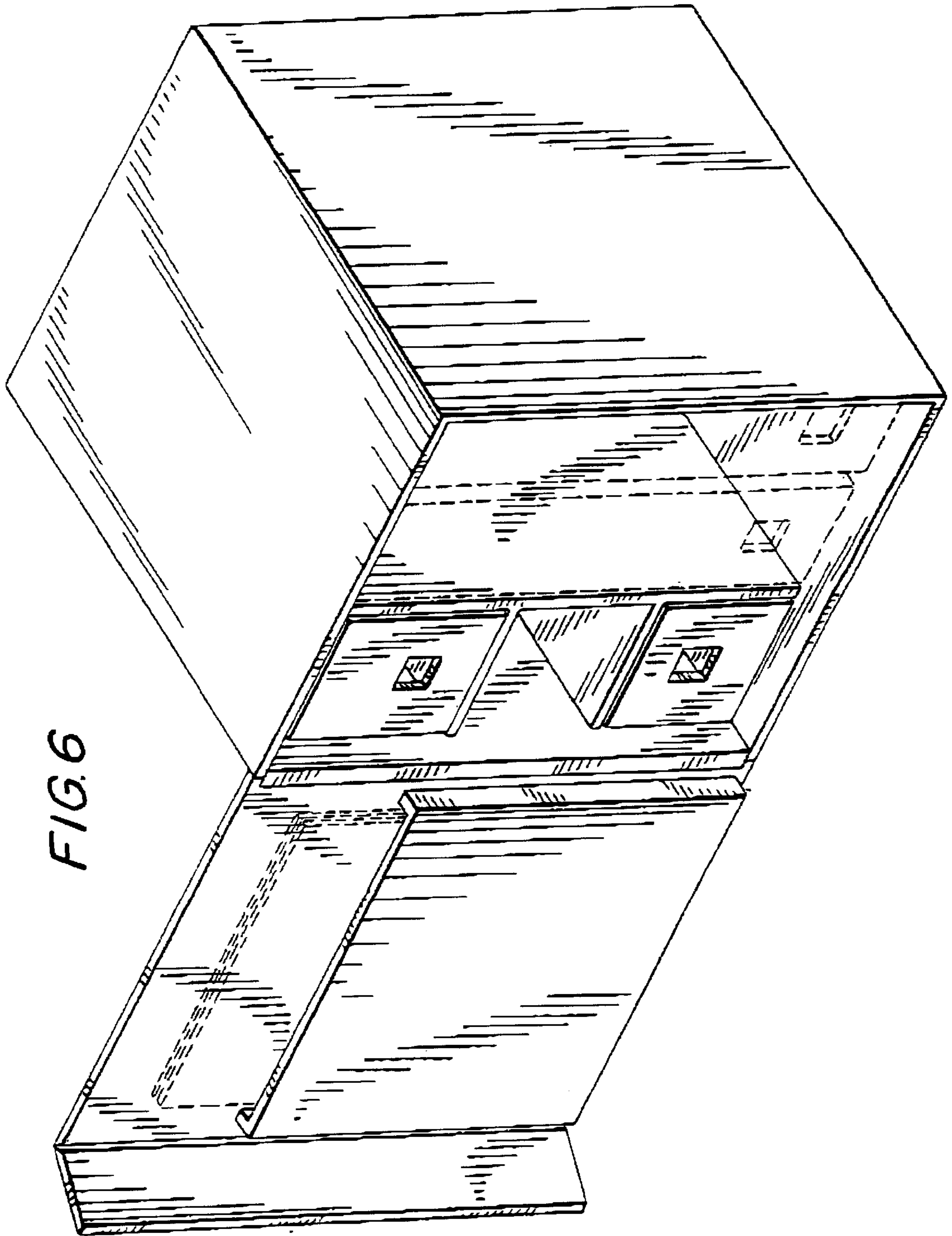


FIG. 6