



US00D480891S

(12) **United States Design Patent**
Hiramatsu

(10) **Patent No.:** **US D480,891 S**

(45) **Date of Patent:** **** Oct. 21, 2003**

(54) **PORTION OF A RECORDING MEDIUM CONTAINER**

6,334,268 B1 * 1/2002 Ikebe et al. 36/310

FOREIGN PATENT DOCUMENTS

(75) Inventor: **Susumu Hiramatsu, Matumoto (JP)**

GB 2291640 1/1996

WO WO 97/41563 11/1997

(73) Assignee: **Tenma Corporation, Tokyo (JP)**

OTHER PUBLICATIONS

(**) Term: **14 Years**

Patent Application Publication US 20010040108 A1—Nov. 15, 2001.*

(21) Appl. No.: **29/140,410**

Patent Application Publication US 20010021167 A1—Sep. 13, 2001.*

(22) Filed: **Apr. 19, 2001**

(30) **Foreign Application Priority Data**

Oct. 19, 2000 (JP) 2000-029707

* cited by examiner

(51) **LOC (7) Cl.** **06-04**

Primary Examiner—Celia Murphy

(52) **U.S. Cl.** **D6/407; D6/627**

(74) *Attorney, Agent, or Firm*—Armstrong, Westerman & Hattori, LLP.

(58) **Field of Search** D3/201, 218; D6/407, D6/626–635; D19/26, 27, 32; 206/307.1, 308.1, 308.2, 308.3, 309, 311, 312, 387.11, 387.13, 387.15; 369/37, 75.2, 291; 379/355

(57) **CLAIM**

The ornamental design for a portion of a recording medium container, as shown and described.

(56) **References Cited**

DESCRIPTION

U.S. PATENT DOCUMENTS

5,251,750 A	10/1993	Gelardi et al.	
5,526,926 A	6/1996	Deja	
5,651,458 A *	7/1997	Brosmith et al.	206/308.1
5,727,680 A *	3/1998	Liu	206/308.1
5,788,068 A *	8/1998	Fraser et al.	206/310
5,829,582 A *	11/1998	Ippolito et al.	206/308.1
5,950,822 A *	9/1999	Cloran et al.	206/310
5,960,949 A *	10/1999	Wynalda, Jr.	206/307.1
5,988,375 A *	11/1999	Chang	206/308.1
D420,240 S *	2/2000	Sorenson et al.	D6/632
D421,057 S *	2/2000	Hummell et al.	D19/65
6,085,900 A *	7/2000	Wong	206/308.1
6,123,192 A *	9/2000	Rufo, Jr.	206/310
6,170,656 B1 *	1/2001	Cerda-Vilaplana et al.	206/308.1
D439,435 S *	3/2001	Belden, Jr. et al.	D6/407
6,250,461 B1 *	6/2001	Hu	206/310
6,311,835 B1 *	11/2001	Okuhara et al.	206/308.1
D452,793 S *	1/2002	Lee	D6/632
D453,081 S *	1/2002	Yu	D6/407

FIG. 1 is a front view of a portion of a recording medium container showing my new design;

FIG. 2 is a rear view thereof;

FIG. 3 is a cross-sectional view taken in the line A—A of FIG. 1;

FIG. 4 is a cross-sectional view taken in the line B—B of FIG. 1;

FIG. 5 is an enlarged view taken in the lines C—C and C'—C' of FIG. 3;

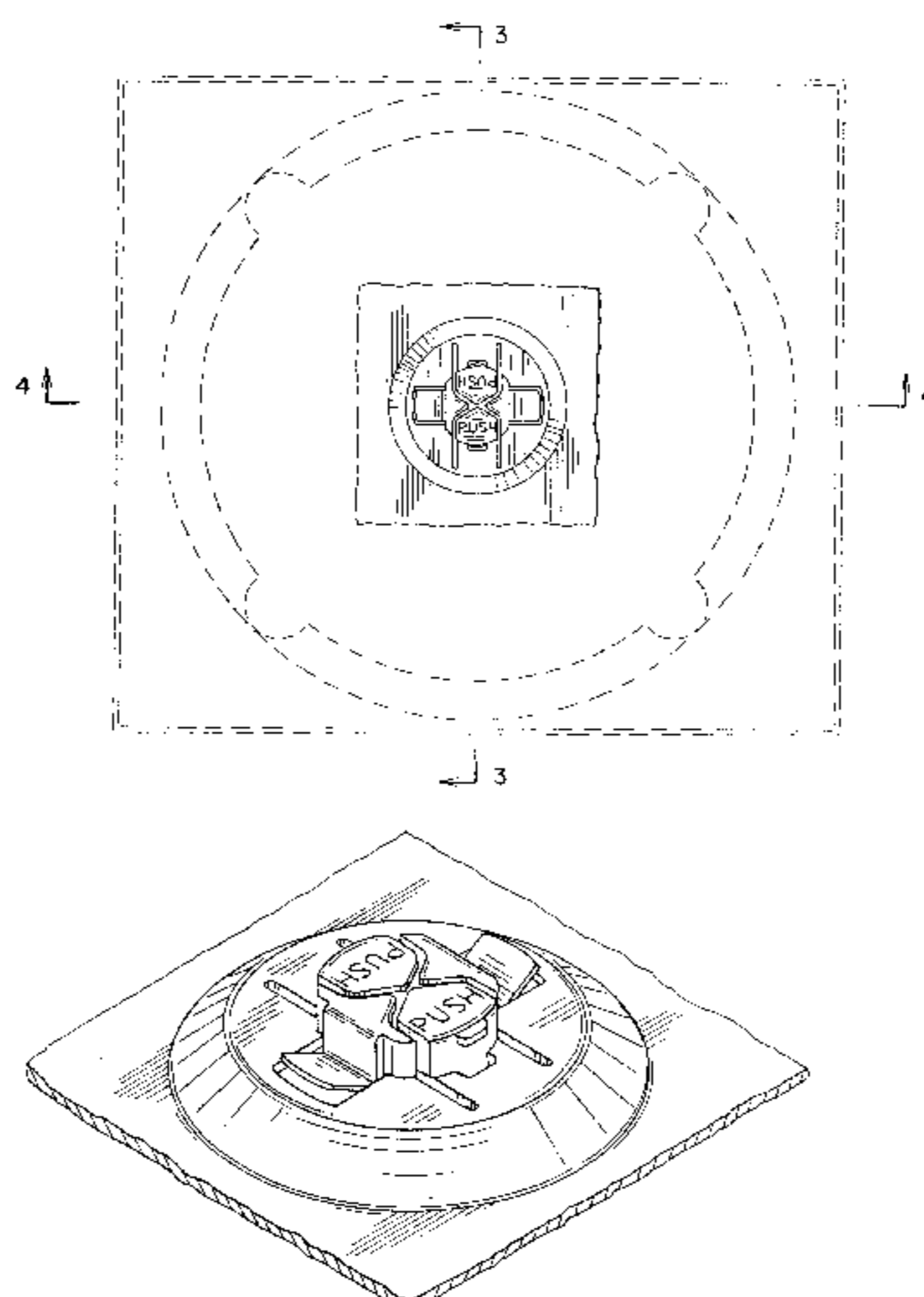
FIG. 6 is an enlarged view taken in the lines D—D and D'—D' of FIG. 4;

FIG. 7 is an enlarged perspective view thereof; and,

FIG. 8 is a perspective view thereof.

The irregular solid line around the central portion of the design, represents the boundary of the claim. The broken line showing of the container throughout the views, represents the environment in which the design resides; but forms no part of the claim.

1 Claim, 6 Drawing Sheets



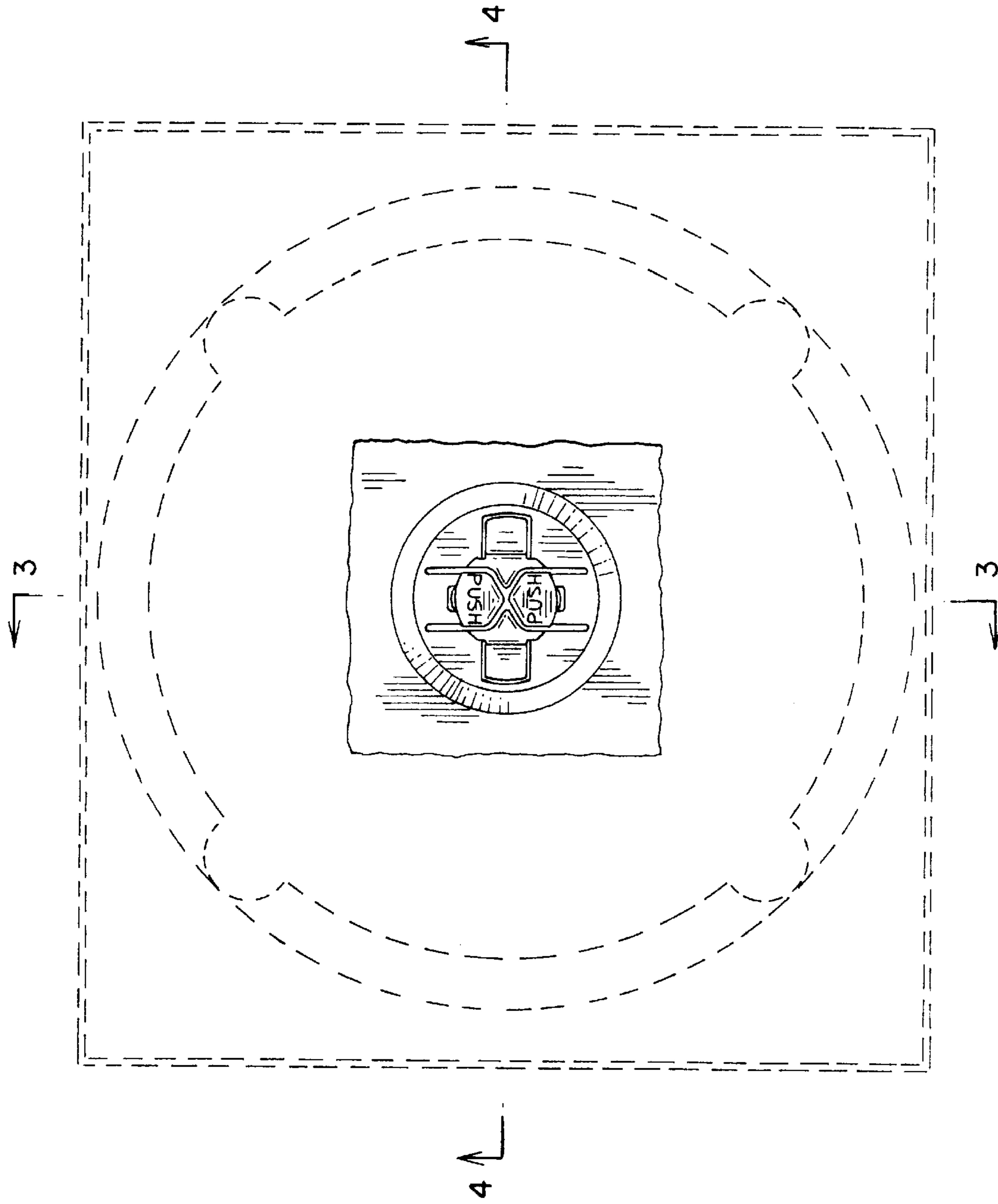


Fig. 1

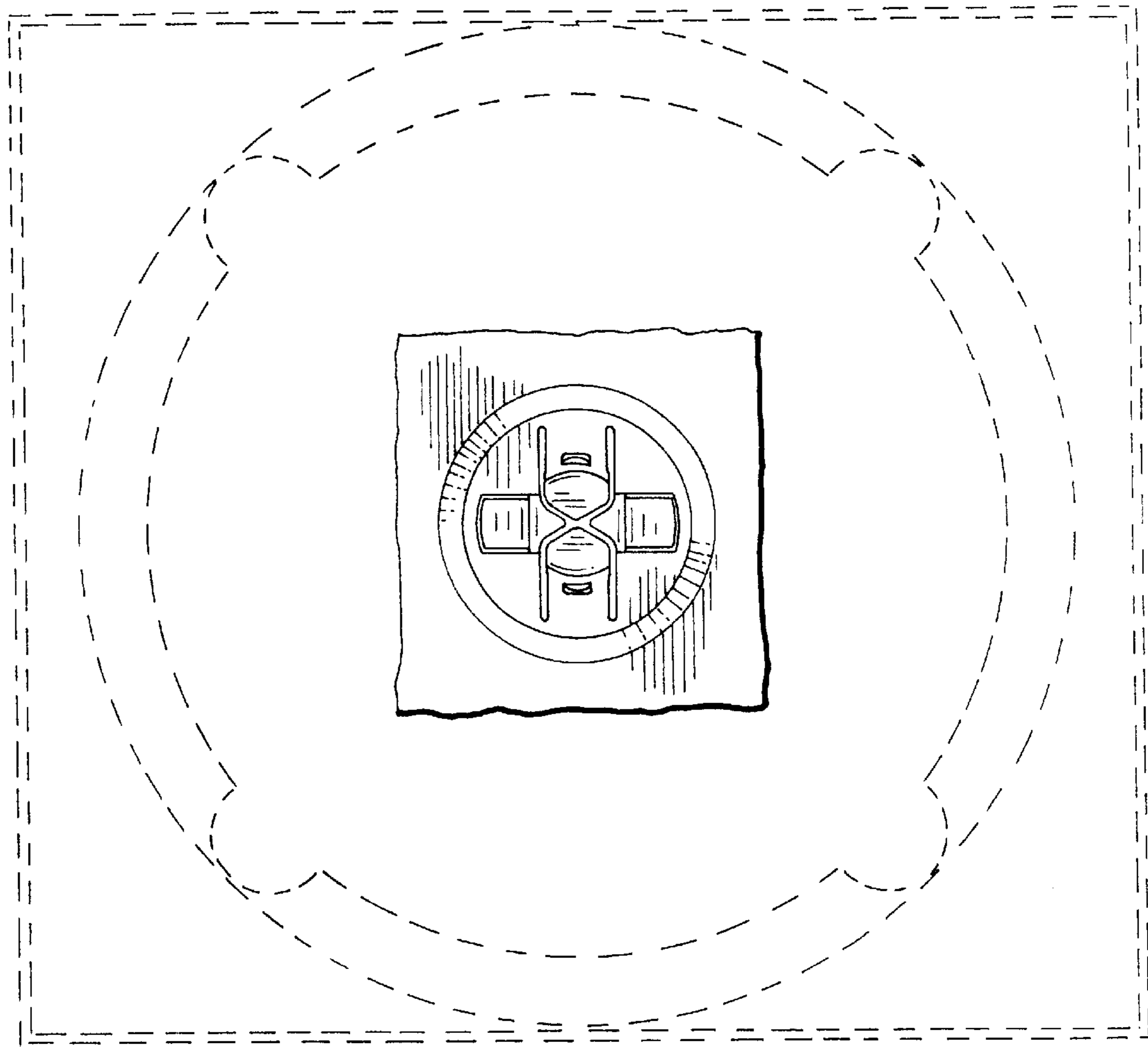


Fig. 2

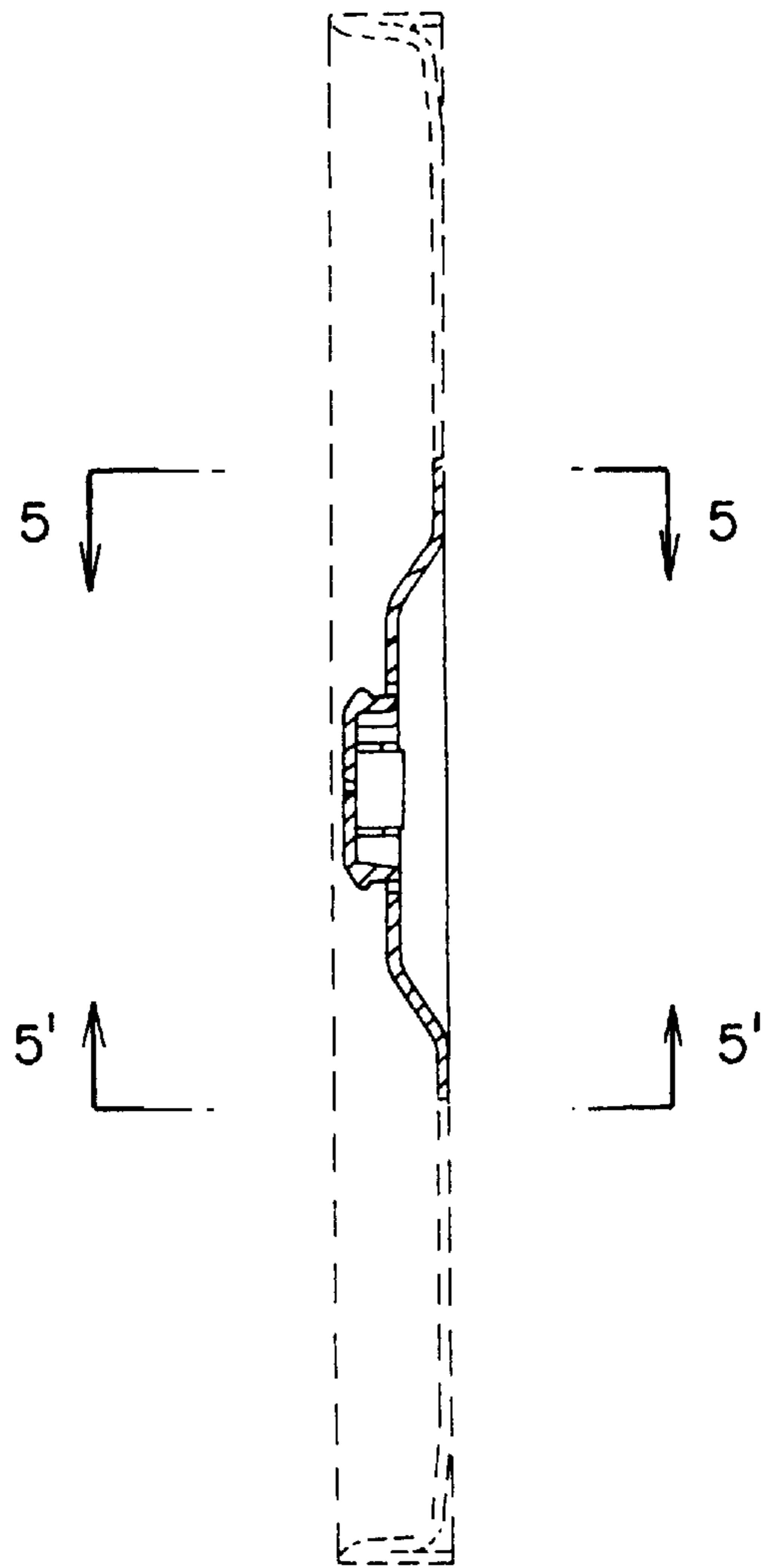


Fig. 3

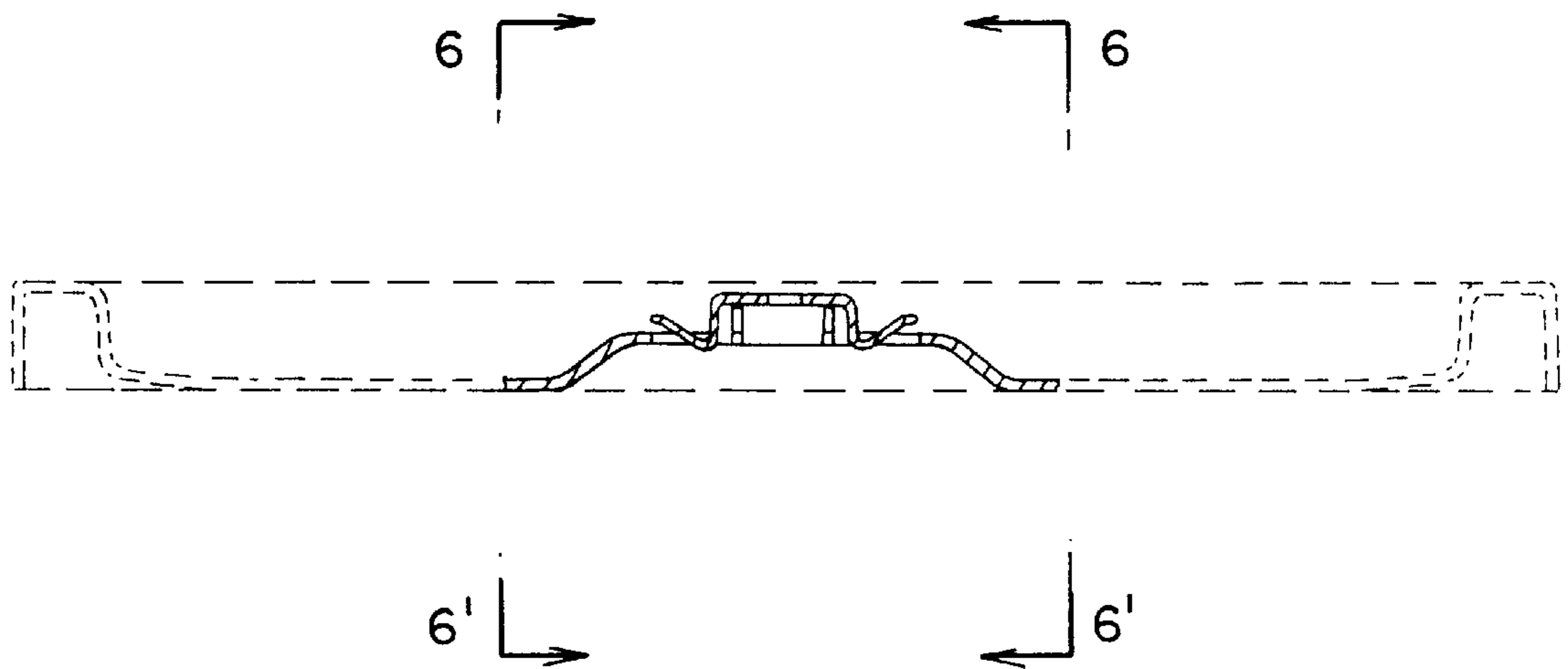


Fig. 4

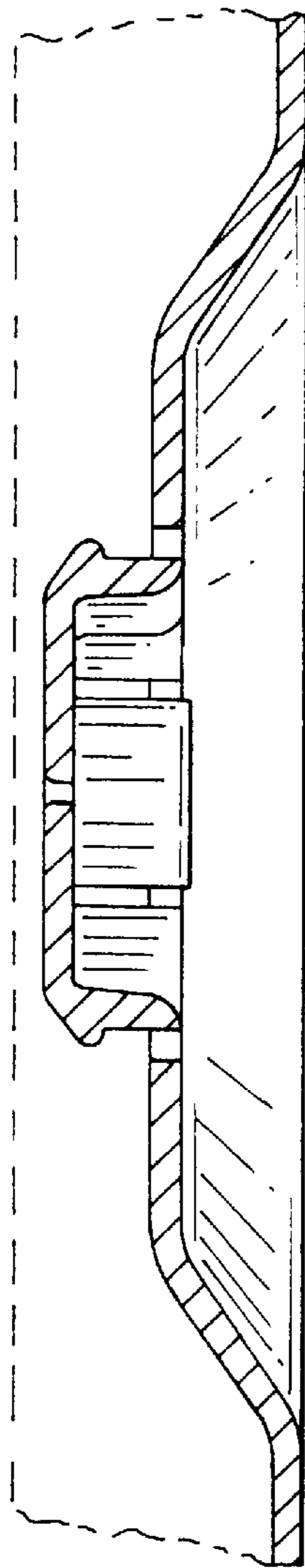


Fig. 5

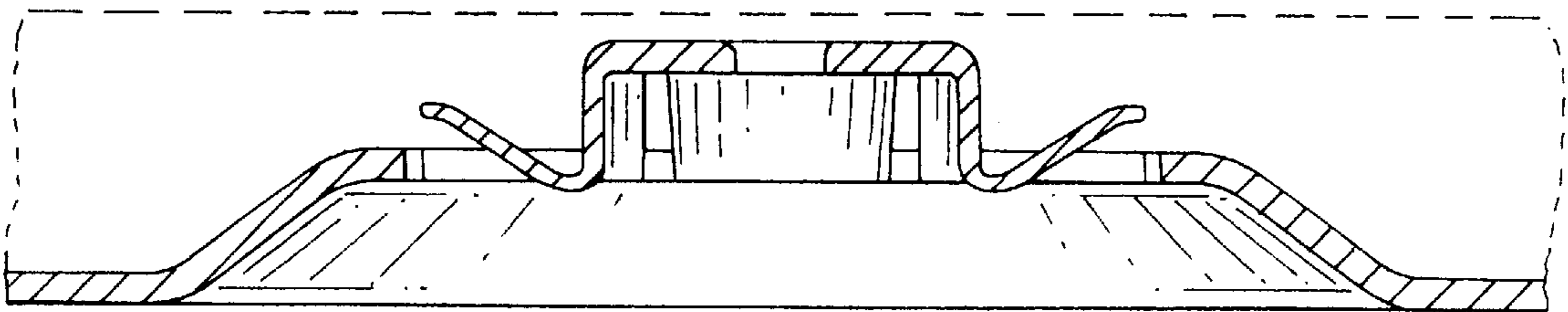


Fig. 6

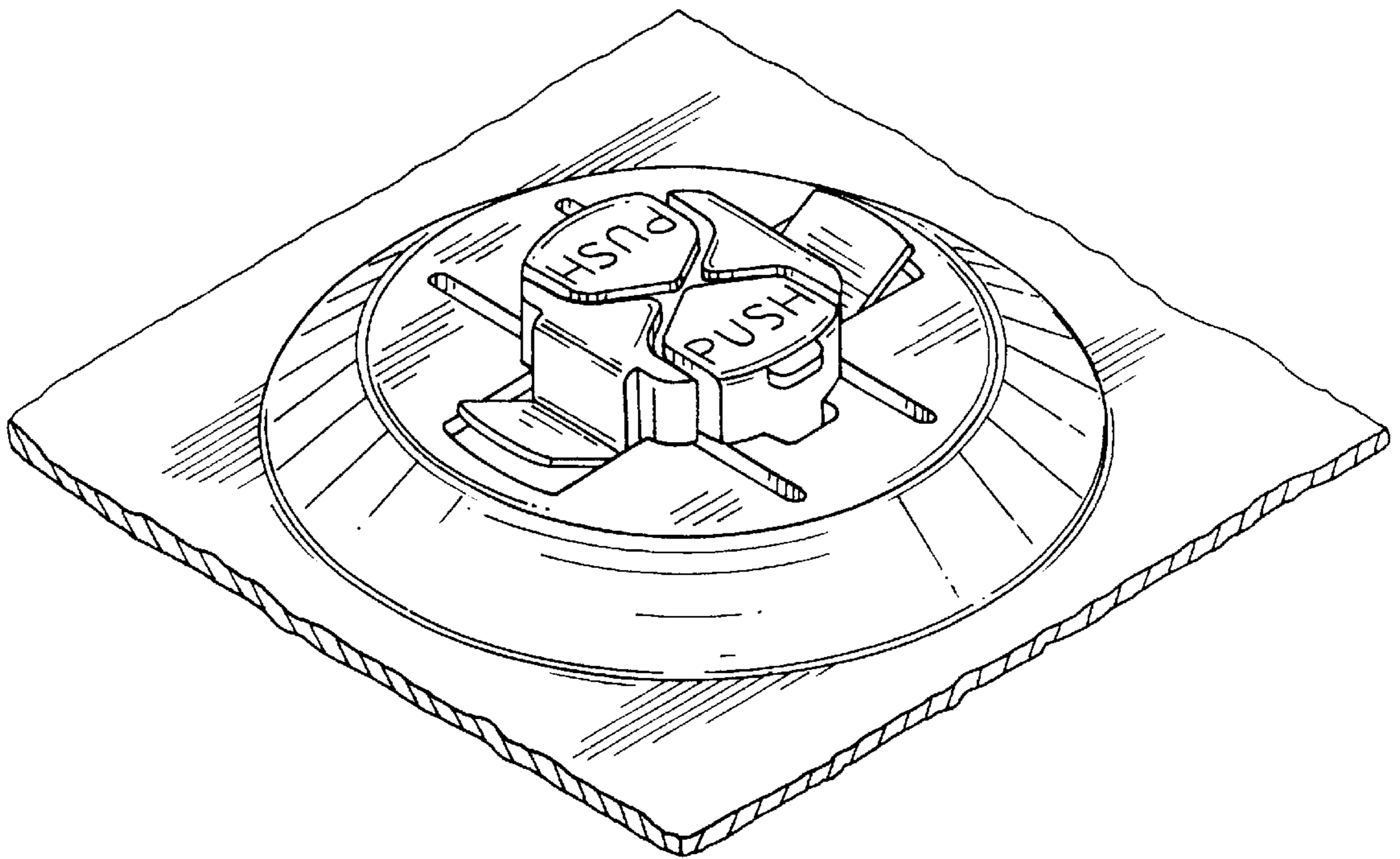


Fig. 7

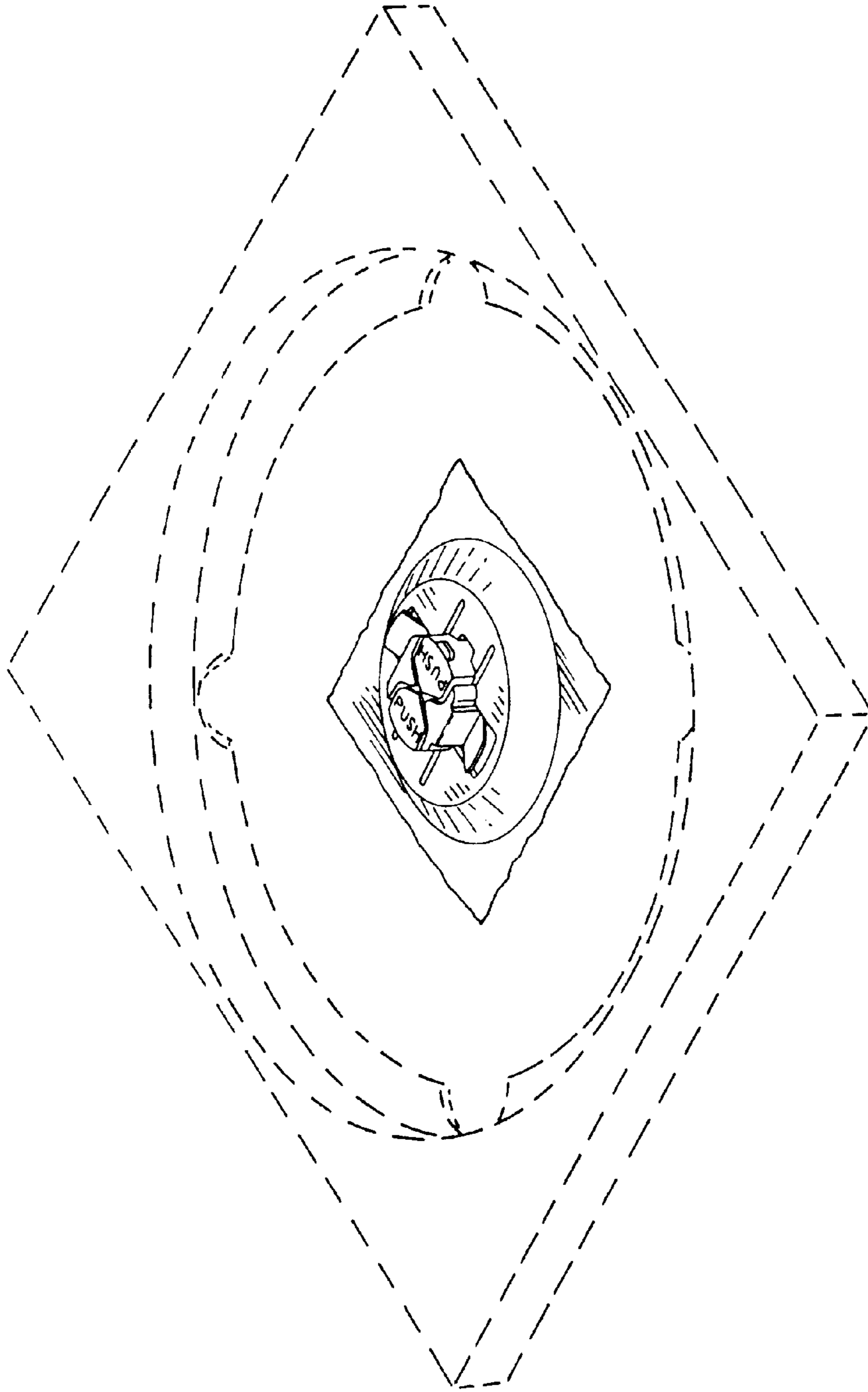


Fig. 8

UNITED STATES PATENT AND TRADEMARK OFFICE
CERTIFICATE OF CORRECTION

PATENT NO. : Des. 480,891 S
DATED : October 21, 2003
INVENTOR(S) : Susumu Hiramatsu

Page 1 of 1

It is certified that error appears in the above-identified patent and that said Letters Patent is hereby corrected as shown below:

Title page,

Item [73], Assignee, insert the second assignee information:

-- **Kinyosha Printing Co., Ltd.**, Tokyo (JP) --

Signed and Sealed this

First Day of June, 2004

A handwritten signature in black ink that reads "Jon W. Dudas". The signature is written in a cursive style with a large, looped initial "J".

JON W. DUDAS
Acting Director of the United States Patent and Trademark Office