



US00D480890S

(12) **United States Design Patent**
Hiramatsu

(10) **Patent No.:** **US D480,890 S**

(45) **Date of Patent:** **** Oct. 21, 2003**

(54) **RECORDING MEDIUM CONTAINER**

D453,081 S * 1/2002 Yu D6/407
6,334,268 B1 * 1/2002 Ikebe et al. 36/310

(75) Inventor: **Susumu Hiramatsu**, Matumoto (JP)

FOREIGN PATENT DOCUMENTS

(73) Assignee: **Tenma Corporation**, Tokyo (JP)

GB 2291640 1/1996
WO WO 97/41563 11/1997

(**) Term: **14 Years**

OTHER PUBLICATIONS

(21) Appl. No.: **29/140,408**

Patent Application Publication US 20010040108 A1—Nov. 15, 2001.*

(22) Filed: **Apr. 19, 2001**

Patent Application Publication US 20010021167 A1—Sep. 13, 2001.*

(30) **Foreign Application Priority Data**

Oct. 19, 2000 (JP) 2000-029705

* cited by examiner

(51) **LOC (7) Cl.** **06-04**

Primary Examiner—Celia Murphy

(52) **U.S. Cl.** **D6/407; D6/627**

(74) *Attorney, Agent, or Firm*—Armstrong, Westerman & Hattori, LLP.

(58) **Field of Search** D3/201, 218; D6/407,
D6/626-635; D19/26, 27, 32; 206/307.1,
308.1, 308.2, 308.3, 309, 311, 312, 387.11,
387.13, 387.15; 369/37, 75.1, 291; 379/355

(57) **CLAIM**

The ornamental design for a recording medium container, as shown and described.

(56) **References Cited**

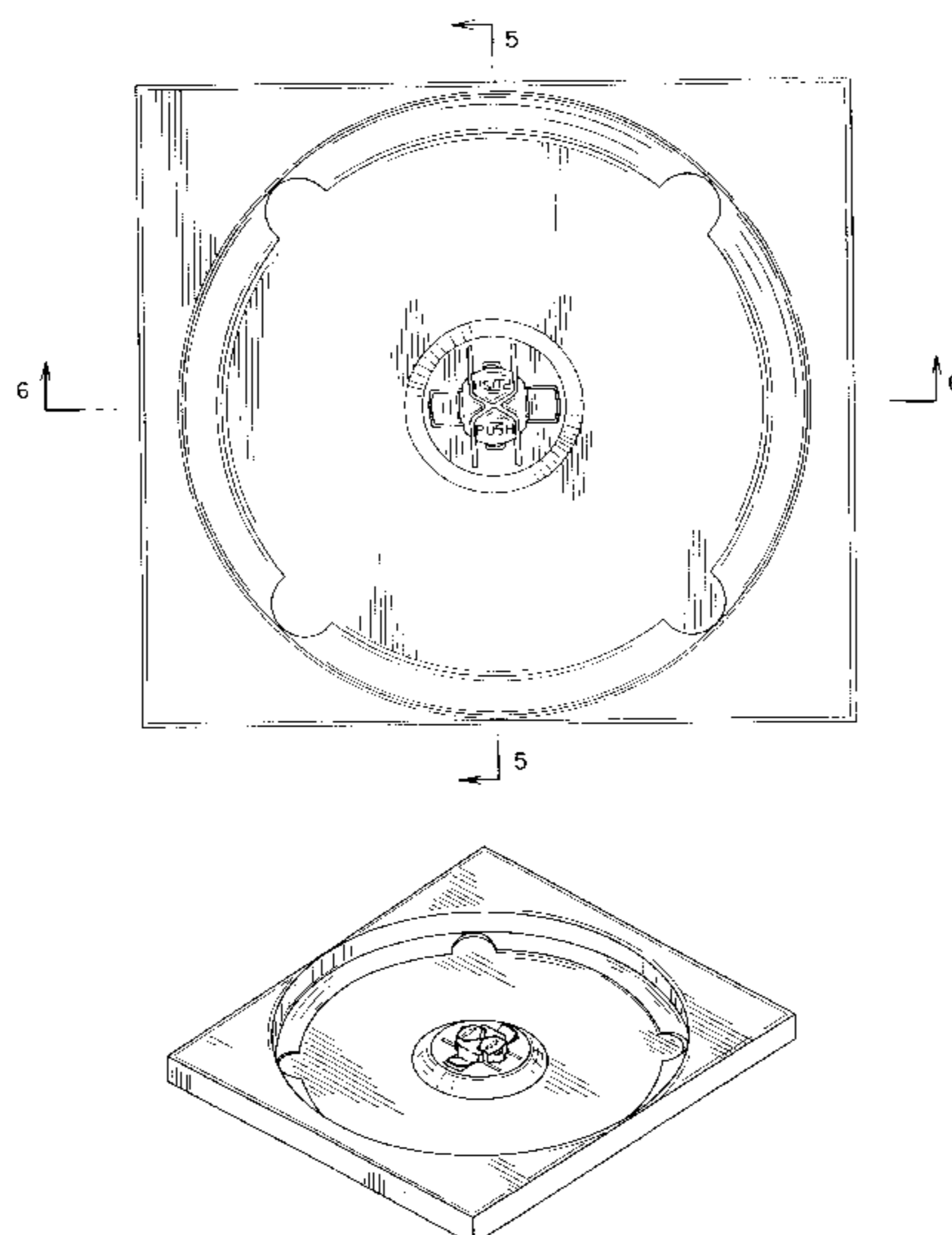
DESCRIPTION

U.S. PATENT DOCUMENTS

5,251,750 A	10/1993	Gelardi et al.	
5,526,926 A	6/1996	Deja	
5,651,458 A *	7/1997	Brosmith et al.	206/308.1
5,727,680 A *	3/1998	Liu	206/308.1
5,788,068 A *	8/1998	Fraser et al.	206/310
5,829,582 A *	11/1998	Ippolito et al.	206/308.1
5,950,822 A *	9/1999	Cloran et al.	206/310
5,960,949 A *	10/1999	Wynalda, Jr.	206/307.1
5,988,375 A *	11/1999	Chang	206/308.1
D420,240 S *	2/2000	Sorenson et al.	D6/632
D421,057 S *	2/2000	Hummell et al.	D19/65
6,085,900 A *	7/2000	Wong	206/308.1
6,123,192 A *	9/2000	Rufo, Jr.	206/310
6,170,656 B1 *	1/2001	Cerda-Vilaplana et al.	206/ 308.1
D439,435 S *	3/2001	Belden, Jr. et al.	D6/407
6,250,461 B1 *	6/2001	Hu	206/310
6,311,835 B1 *	11/2001	Okuhara et al.	206/308.1
D452,793 S *	1/2002	Lee	D6/632

FIG. 1 is a front view of the recording medium container showing my new design;
 FIG. 2 is a rear view thereof;
 FIG. 3 is a right side view thereof (the left side view is the same as the right side view);
 FIG. 4 is a bottom view thereof (the top view is the same as the bottom view);
 FIG. 5 is a cross-sectional view taken in the line 5—5 of FIG. 1;
 FIG. 6 is a cross-sectional view taken in the line 6—6 of FIG. 1;
 FIG. 7 is an enlarged view taken in the lines 7—7 and 7'—7' of FIG. 5;
 FIG. 8 is an enlarged view taken in the lines 8—8 and 8'—8' of FIG. 6; and,
 FIG. 9 is a perspective view thereof.

1 Claim, 6 Drawing Sheets



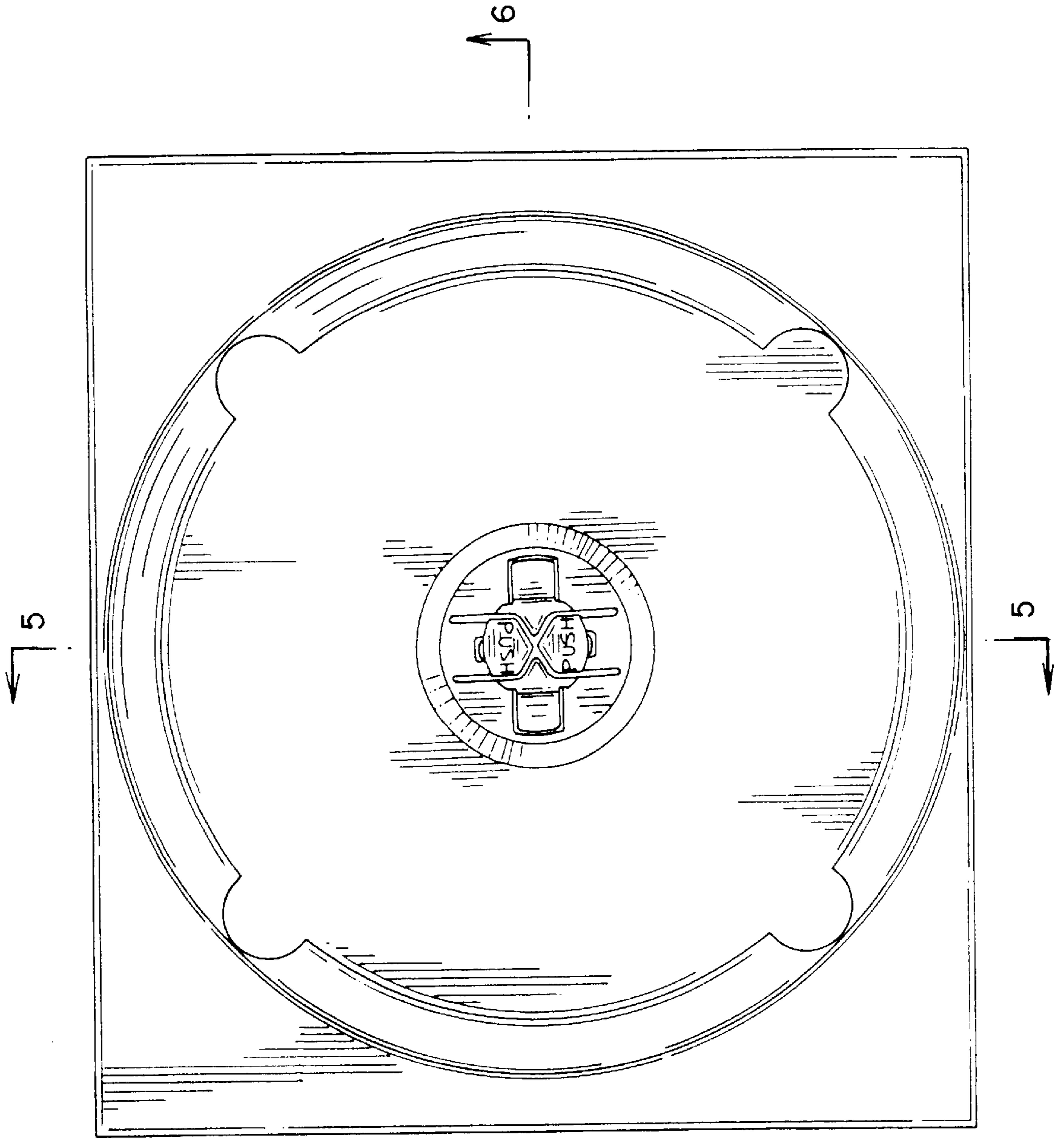


Fig. 1

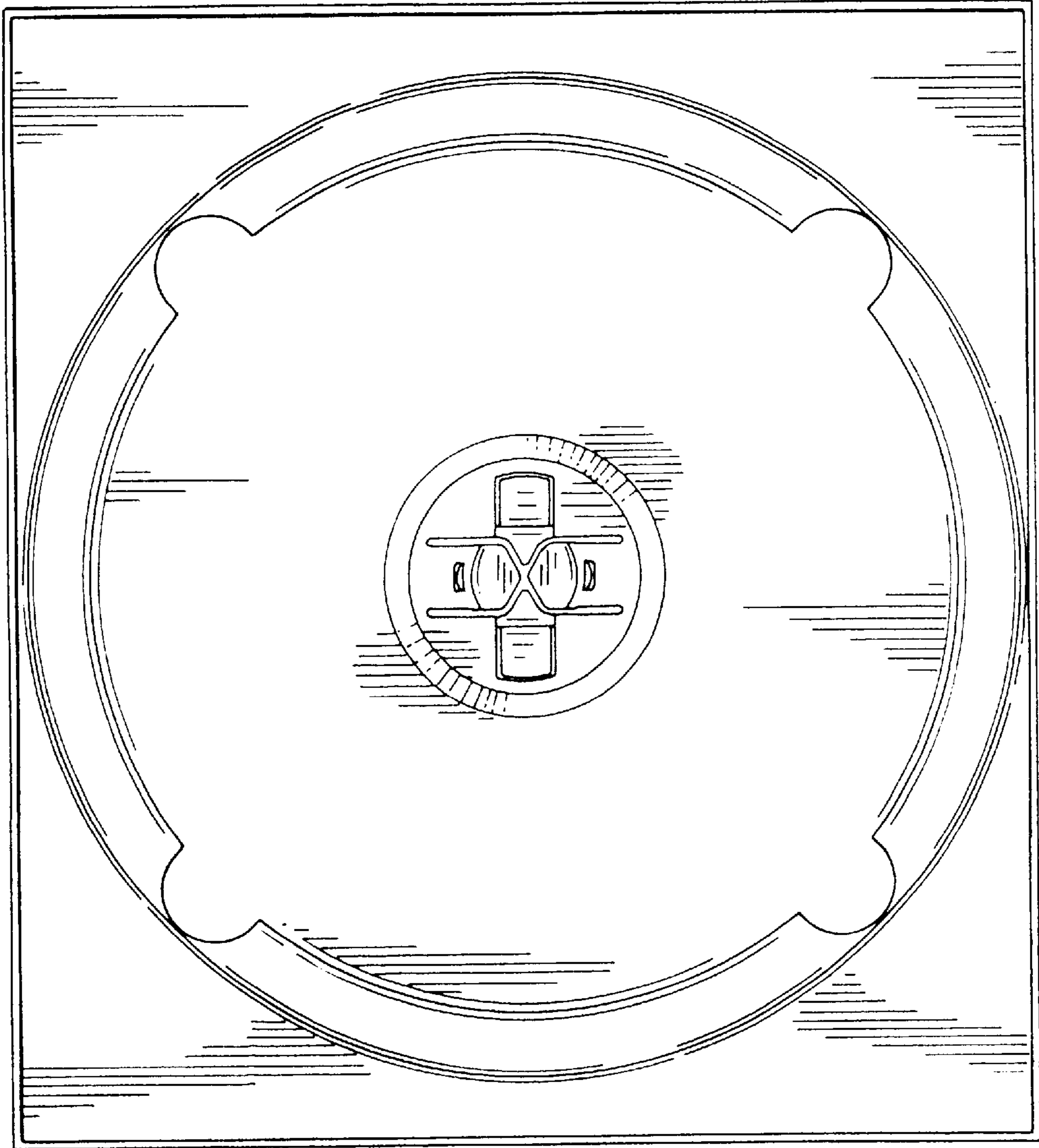


Fig. 2

Fig. 3



Fig. 4

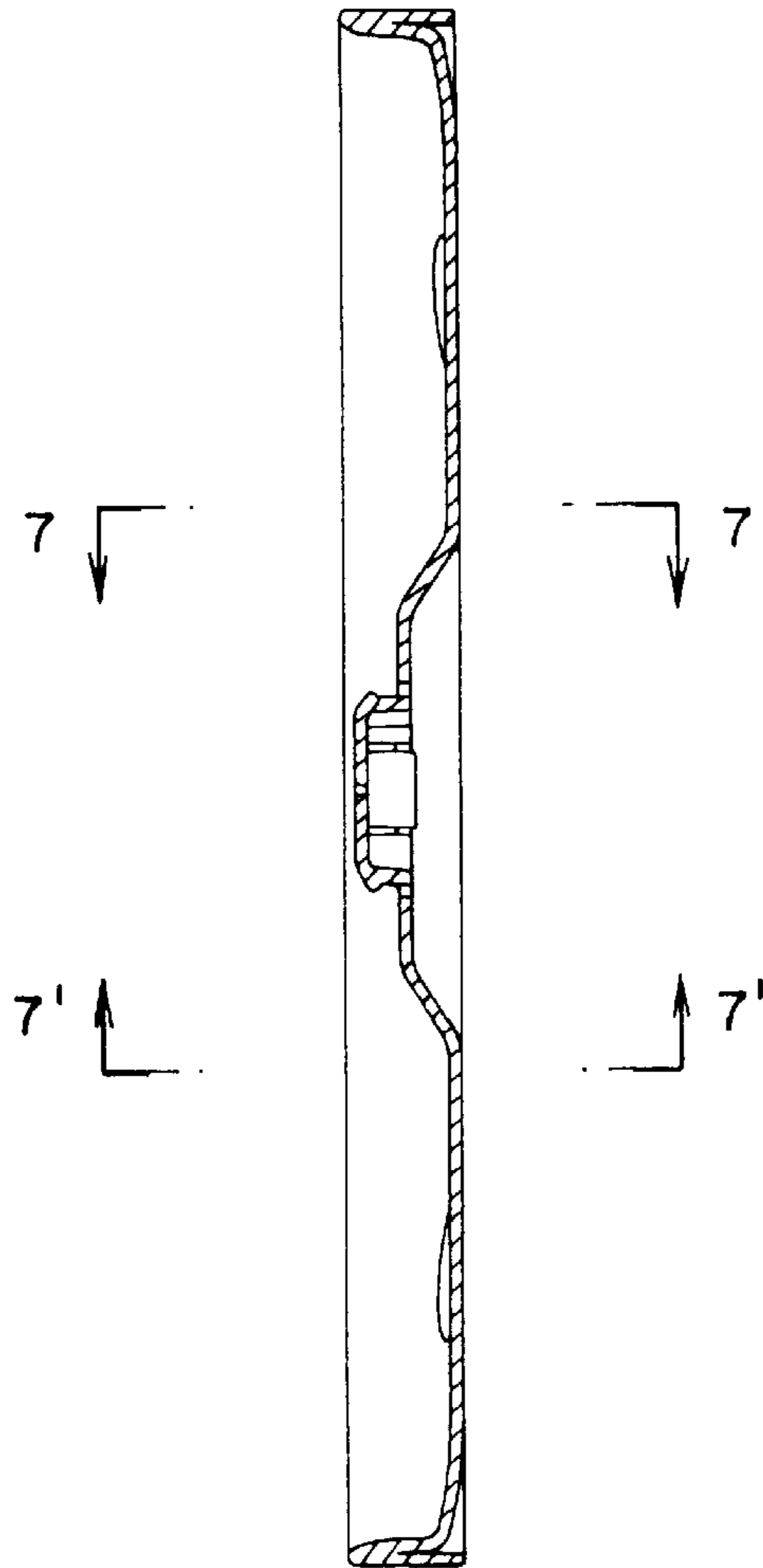


Fig. 5

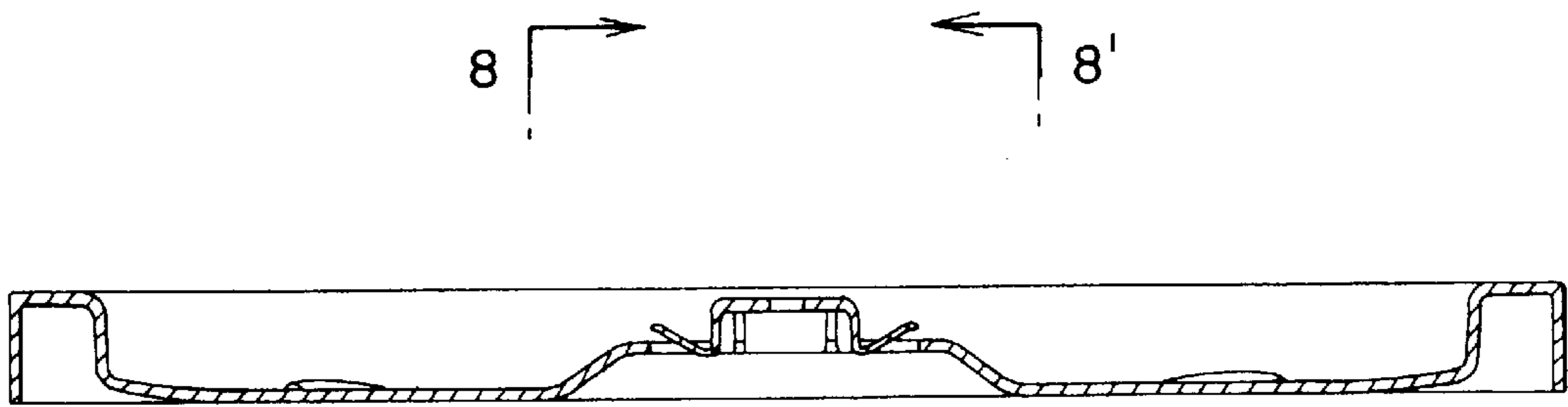


Fig. 6

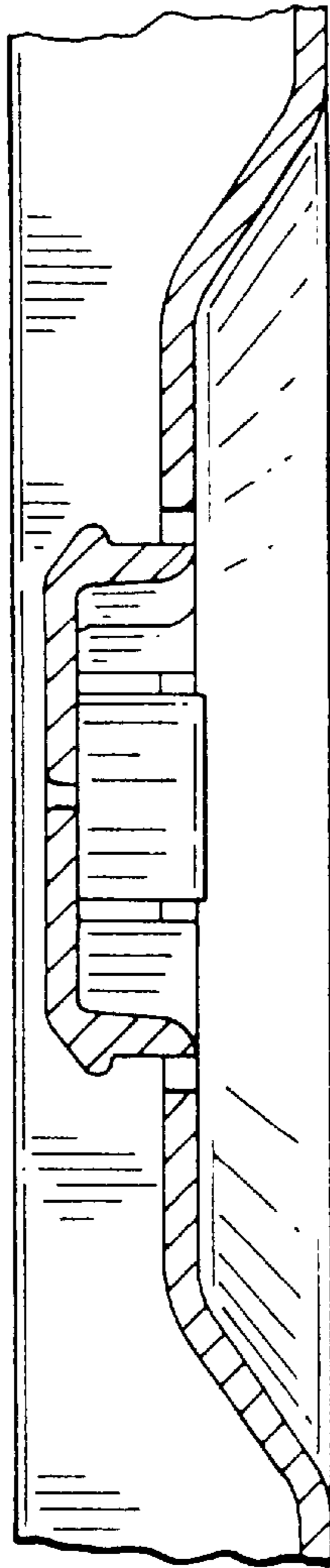


Fig. 7

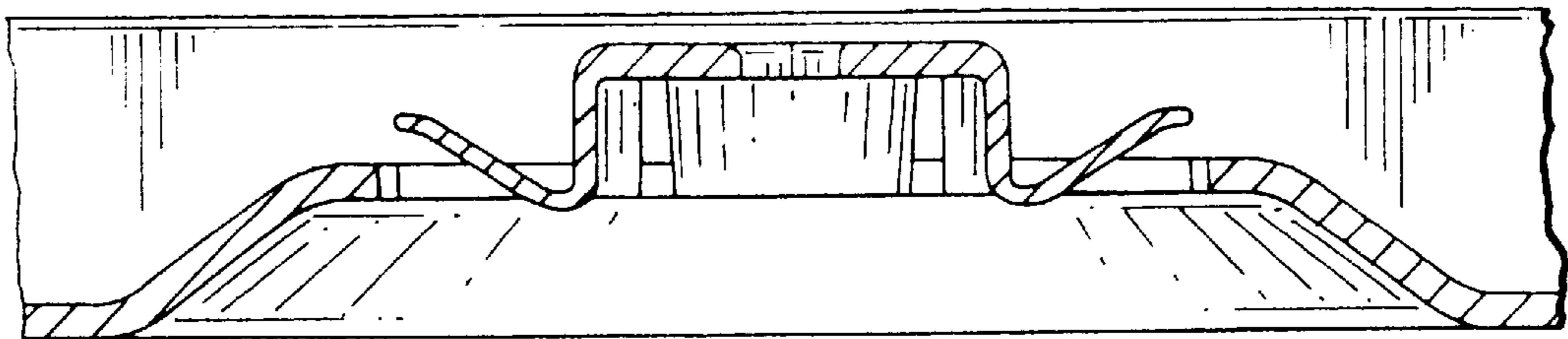
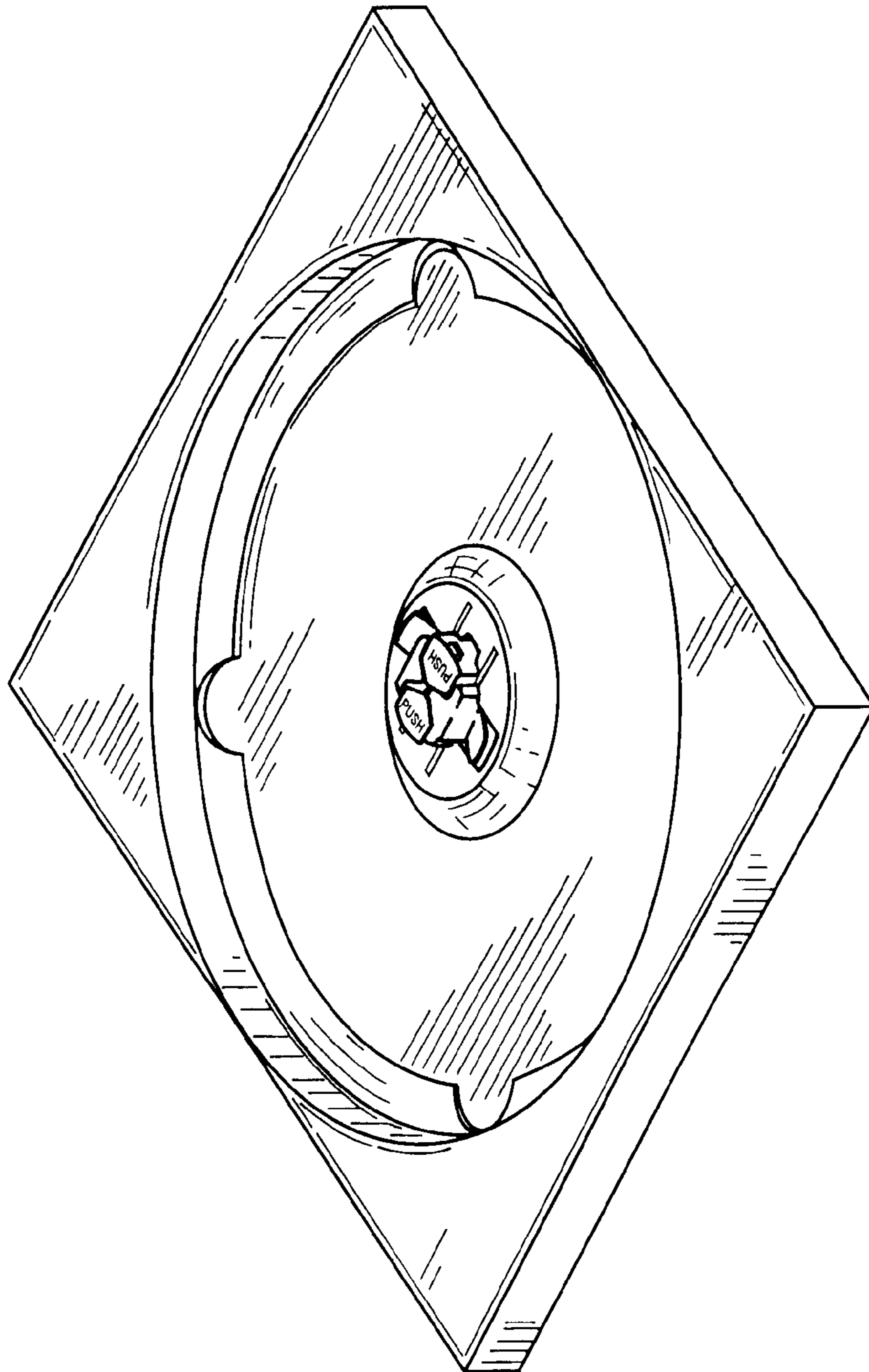


Fig. 8

Fig. 9



UNITED STATES PATENT AND TRADEMARK OFFICE
CERTIFICATE OF CORRECTION

PATENT NO. : Des. 480,890 S
DATED : October 21, 2003
INVENTOR(S) : Susumu Hiramatsu

Page 1 of 1

It is certified that error appears in the above-identified patent and that said Letters Patent is hereby corrected as shown below:

Title page,

Item [73], Assignee, insert the second assignee -- **Kinyosha Printing Co., Ltd.**, Tokyo (JP) --

Signed and Sealed this

First Day of June, 2004

A handwritten signature in black ink on a dotted background. The signature reads "Jon W. Dudas" in a cursive style.

JON W. DUDAS

Acting Director of the United States Patent and Trademark Office