



US00D480889S

(12) **United States Design Patent**
Risdon et al.

(10) **Patent No.:** **US D480,889 S**

(45) **Date of Patent:** **** Oct. 21, 2003**

(54) **SLEIGH BED**

D454,720 S * 3/2002 OHare et al. D6/393

(75) Inventors: **Scott M. Risdon**, Greensboro, NC
(US); **Timothy M. O'Hare**, Oak Ridge,
NC (US)

* cited by examiner

Primary Examiner—Janice E. Seeger
(74) *Attorney, Agent, or Firm*—Harness, Dickey & Pierce,
P.L.C.

(73) Assignee: **Pennsylvania House, Inc.**, Greensboro,
NC (US)

(57) **CLAIM**

(**) Term: **14 Years**

The ornamental design for the sleigh bed, as shown and
described.

(21) Appl. No.: **29/176,464**

DESCRIPTION

(22) Filed: **Feb. 21, 2003**

FIG. 1 is a perspective view of a sleigh bed in accordance
with the present invention;

(51) **LOC (7) Cl.** **06-01**

FIG. 2 is a front view of the sleigh bed, the back of the sleigh
bed is not illustrated as it forms no part of the present
invention;

(52) **U.S. Cl.** **D6/393**

(58) **Field of Search** D6/382-388, 393-395,
D6/505-508; 5/53.1, 279.1, 280, 281

FIG. 3 is a top view of the sleigh bed, the bottom of the
sleigh bed is not illustrated as it forms no part of the present
invention; and,

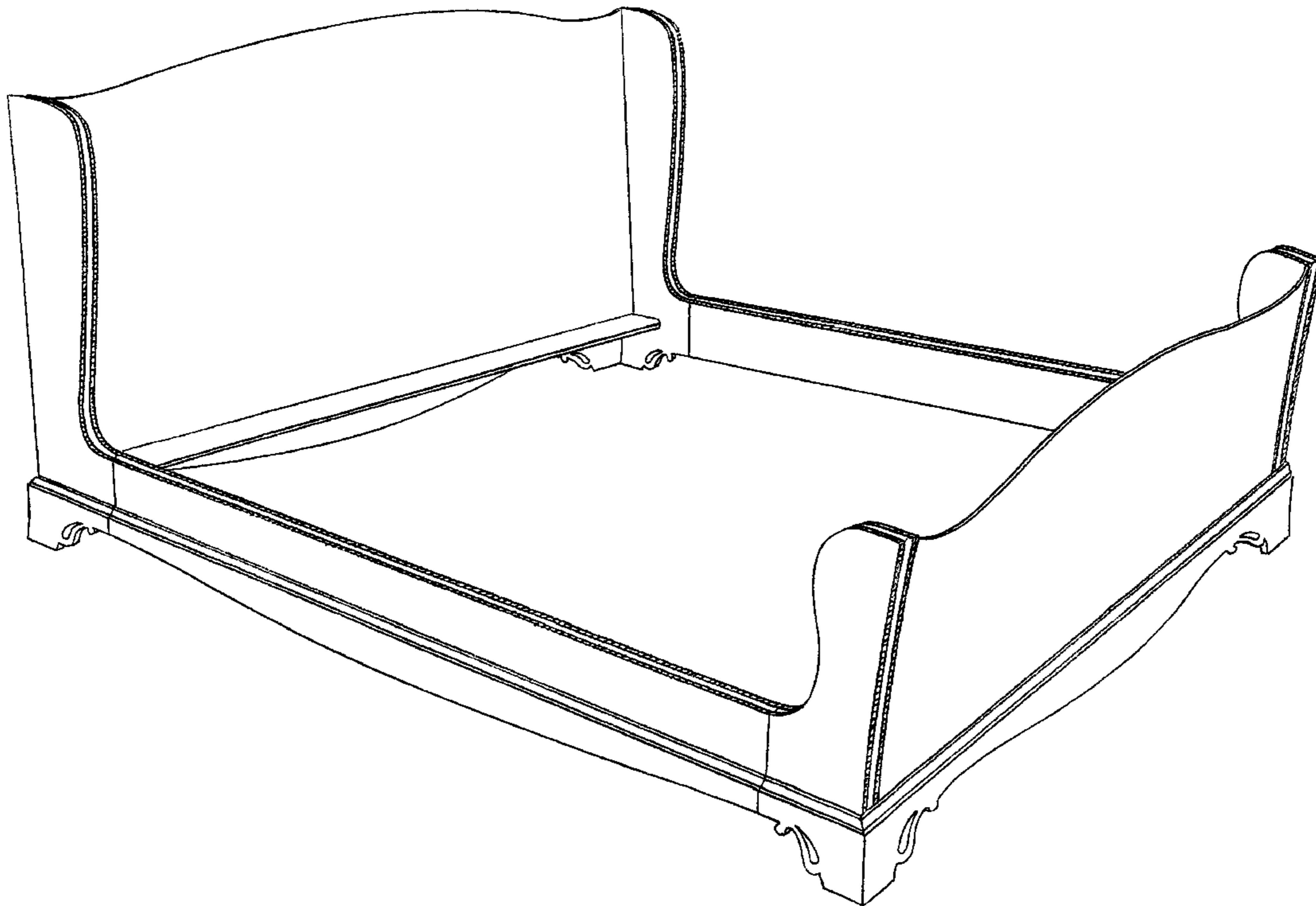
(56) **References Cited**

FIG. 4 is a right side view of the sleigh bed, the left side view
being a mirror image thereof.

U.S. PATENT DOCUMENTS

D72,994 S * 7/1927 Erskine D6/394
D319,932 S * 9/1991 Lauren D6/393

1 Claim, 4 Drawing Sheets



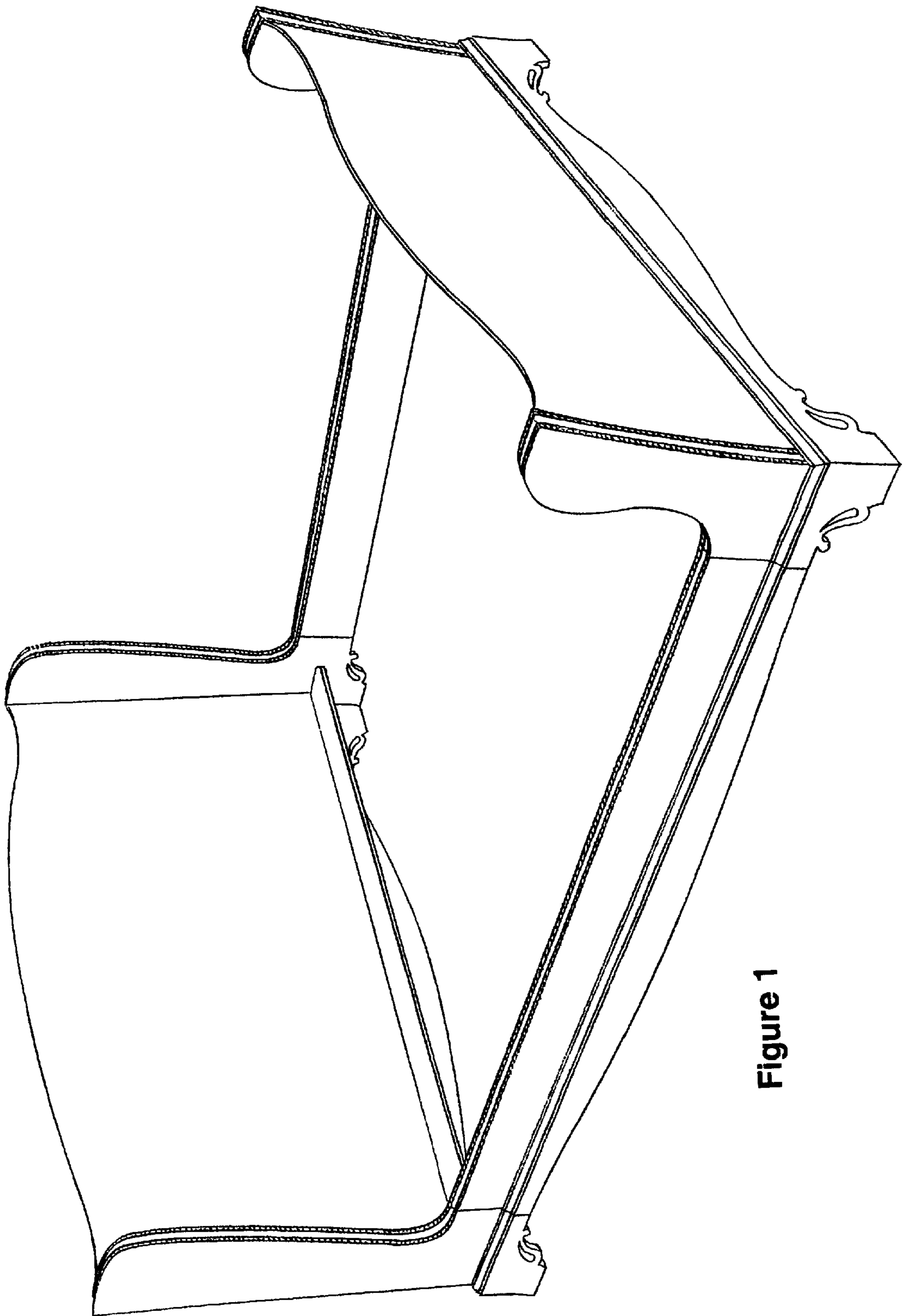


Figure 1

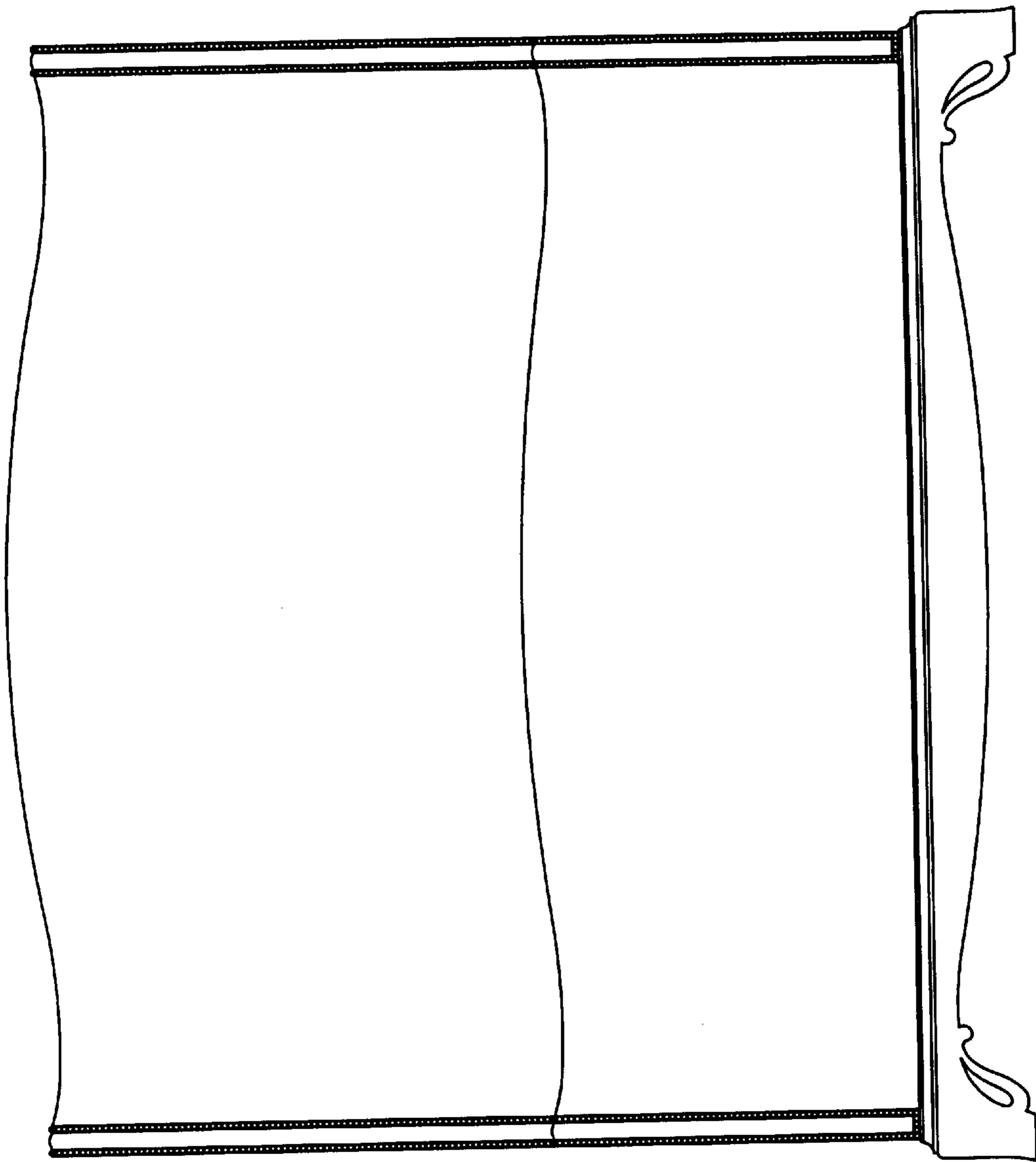


Figure 2

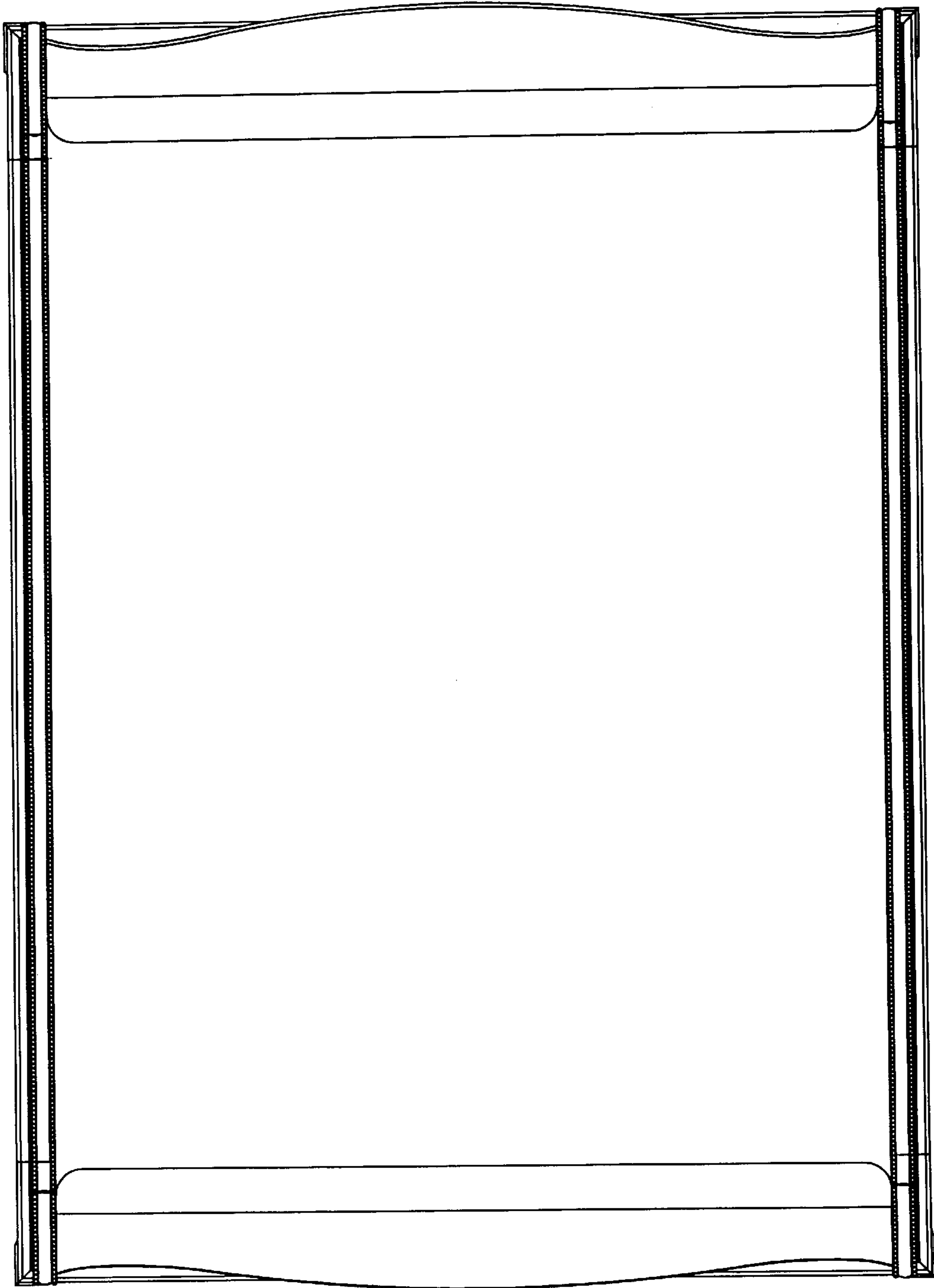


Figure 3

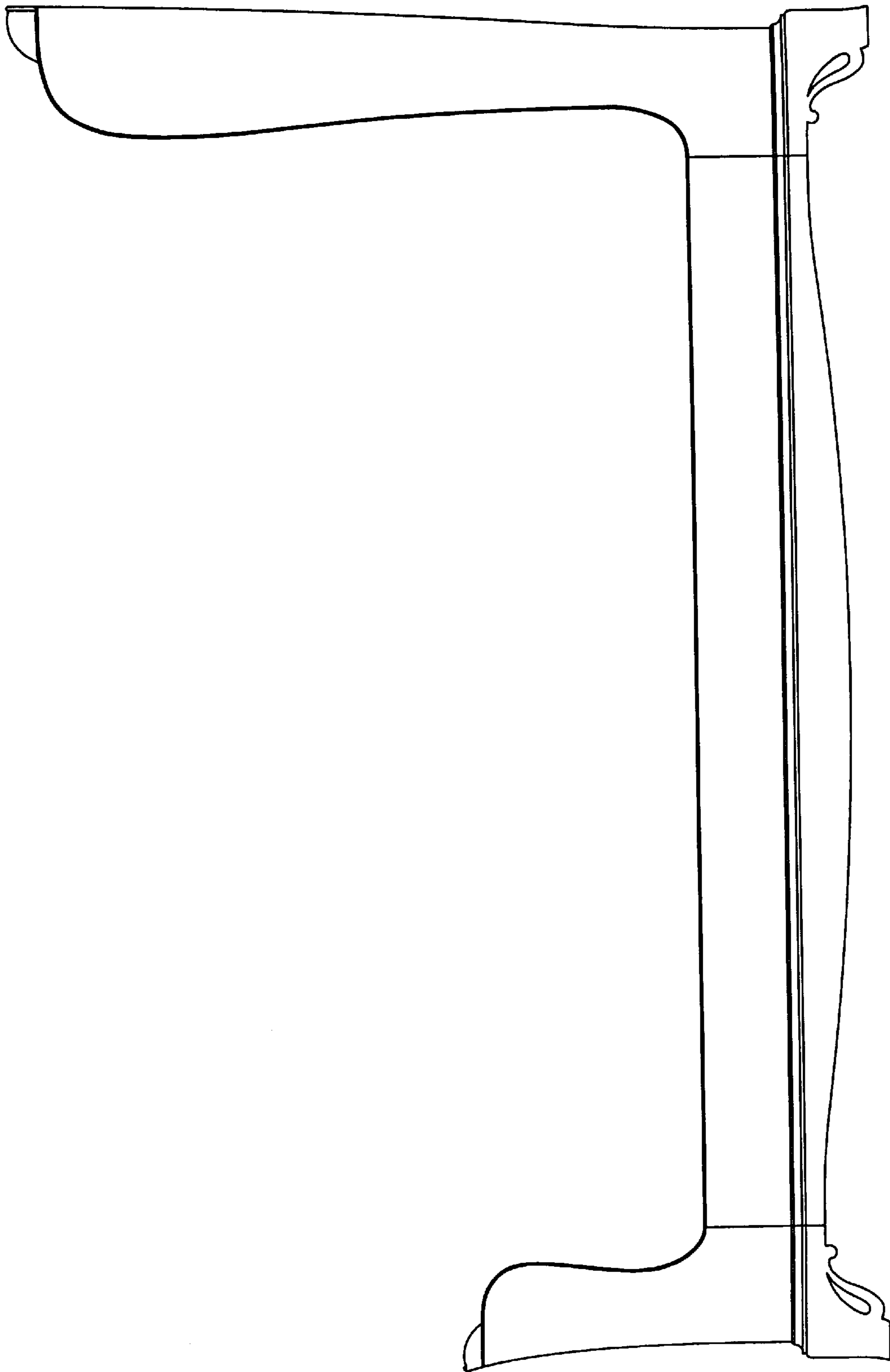


Figure 4