



US00D480888S

(12) **United States Design Patent**
Ogawa

(10) **Patent No.:** **US D480,888 S**

(45) **Date of Patent:** **** Oct. 21, 2003**

(54) **NURSING-CARE BED**

(75) Inventor: **Atsushi Ogawa**, Kyoto (JP)

(73) Assignee: **Sanyo Electric Co., Ltd.**, Osaka (JP)

(**) Term: **14 Years**

(21) Appl. No.: **29/176,997**

(22) Filed: **Mar. 4, 2003**

(30) **Foreign Application Priority Data**

Sep. 4, 2002 (JP) 2002-023880

(51) **LOC (7) Cl.** **06-01**

(52) **U.S. Cl.** **D6/392; D6/393**

(58) **Field of Search** D6/382-388, 393-395,
D6/505-508; 5/53.1, 2.1, 279.1, 280, 281

(56) **References Cited**

U.S. PATENT DOCUMENTS

3,780,387	A	*	12/1973	Propst	5/692
D243,987	S	*	4/1977	Carter	D6/507
5,452,486	A	*	9/1995	Czako	5/81.1 T
D393,378	S	*	4/1998	Hutton	D6/393
D431,730	S	*	10/2000	Zorzetto	D6/393
D453,639	S	*	2/2002	Dordoni	D6/393

* cited by examiner

Primary Examiner—Janice E. Seeger

(74) *Attorney, Agent, or Firm*—Armstrong, Westerman & Hattori, LLP

(57) **CLAIM**

The ornamental design for a nursing-care bed, as shown and described.

DESCRIPTION

FIG. 1 is a top, front and right perspective view of a nursing-care bed showing my new design;

FIG. 2 is a bottom, rear and left perspective view thereof;

FIG. 3 is the top, front and right perspective view of a state where a knee portion of a nursing-care recipient is lifted;

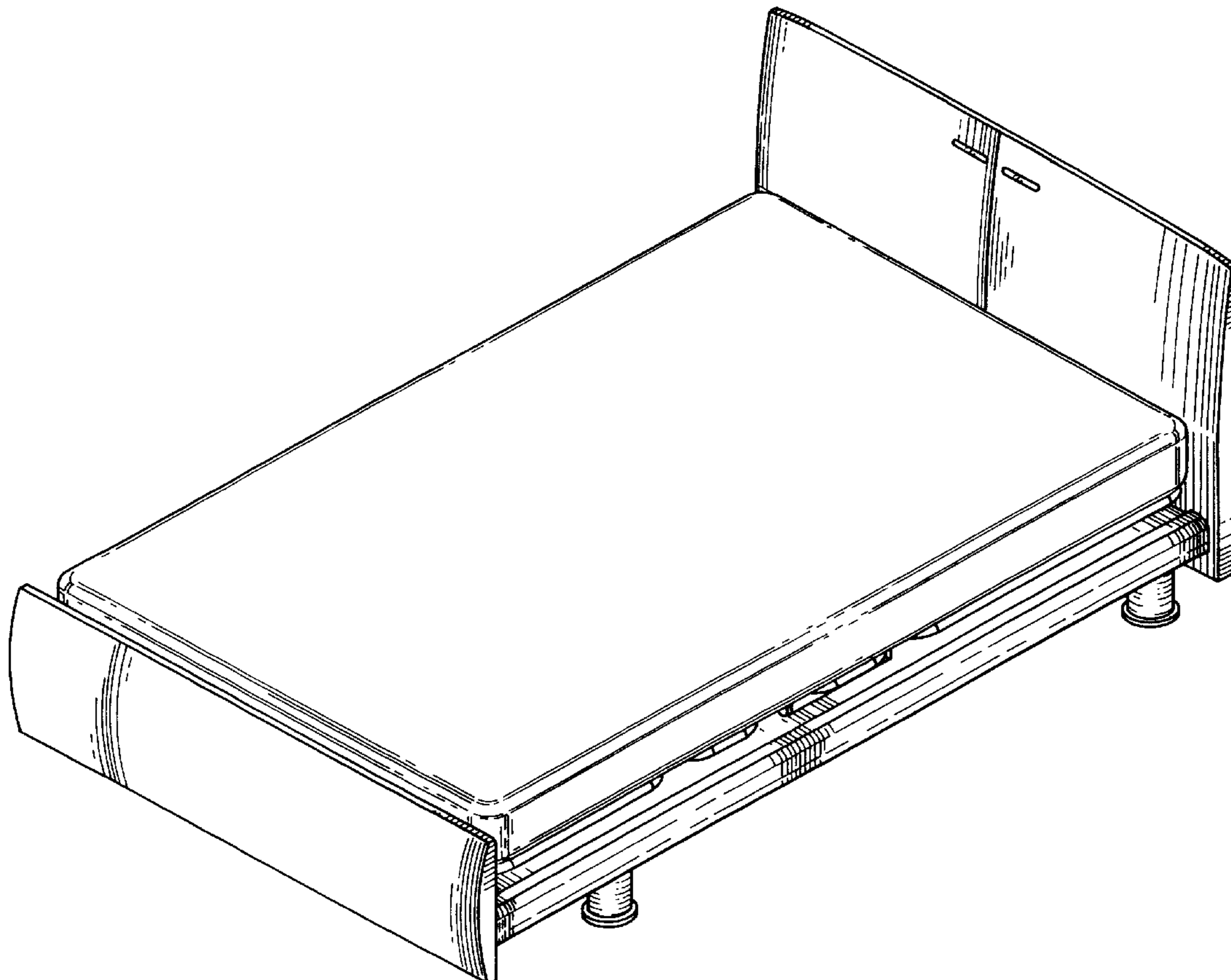
FIG. 4 is the top, front and right perspective view of a state where a dorsal portion of the nursing-care recipient is lifted;

FIG. 5 is the top, front and right perspective view of a state where the knee portion and the dorsal portion are lifted;

FIG. 6 is the top, front and right perspective view at a time of turning over the nursing-care recipient to a right direction with his or her knee and dorsal portions being lifted; and,

FIG. 7 is the top, front and right perspective view at a time of turning over the nursing-care recipient to a left direction with his or her knee and dorsal portions being lifted.

1 Claim, 7 Drawing Sheets



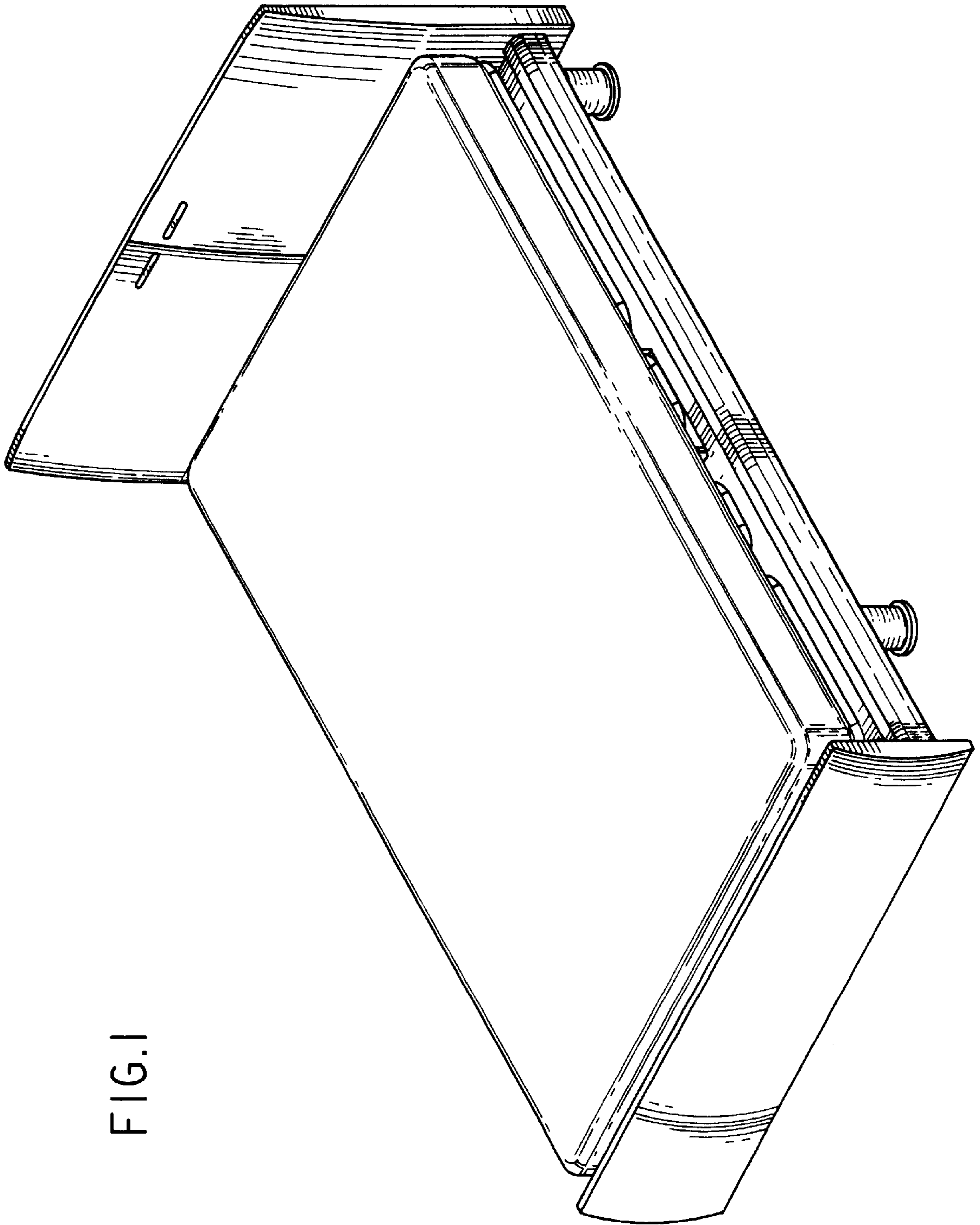


FIG. 1

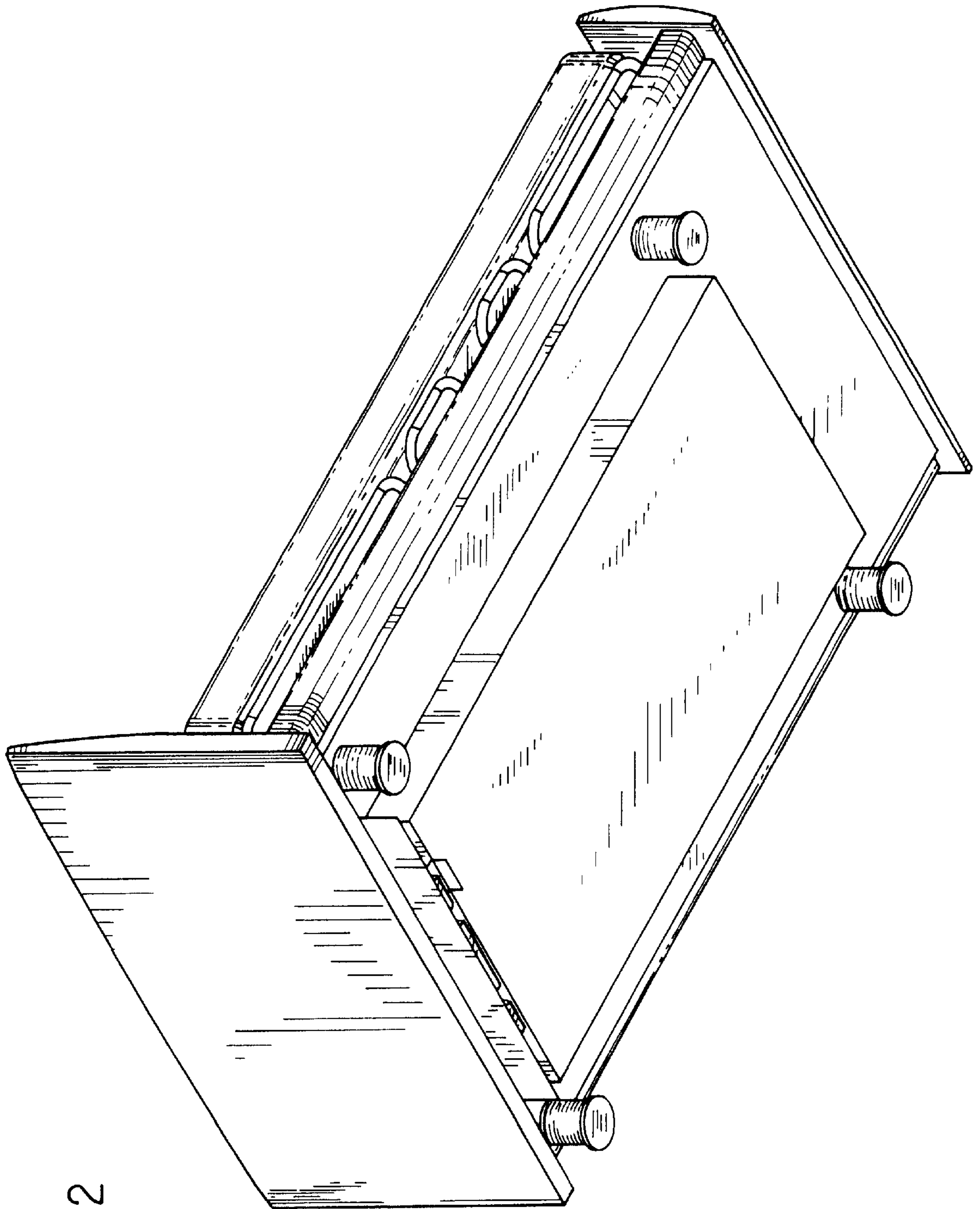


FIG.2

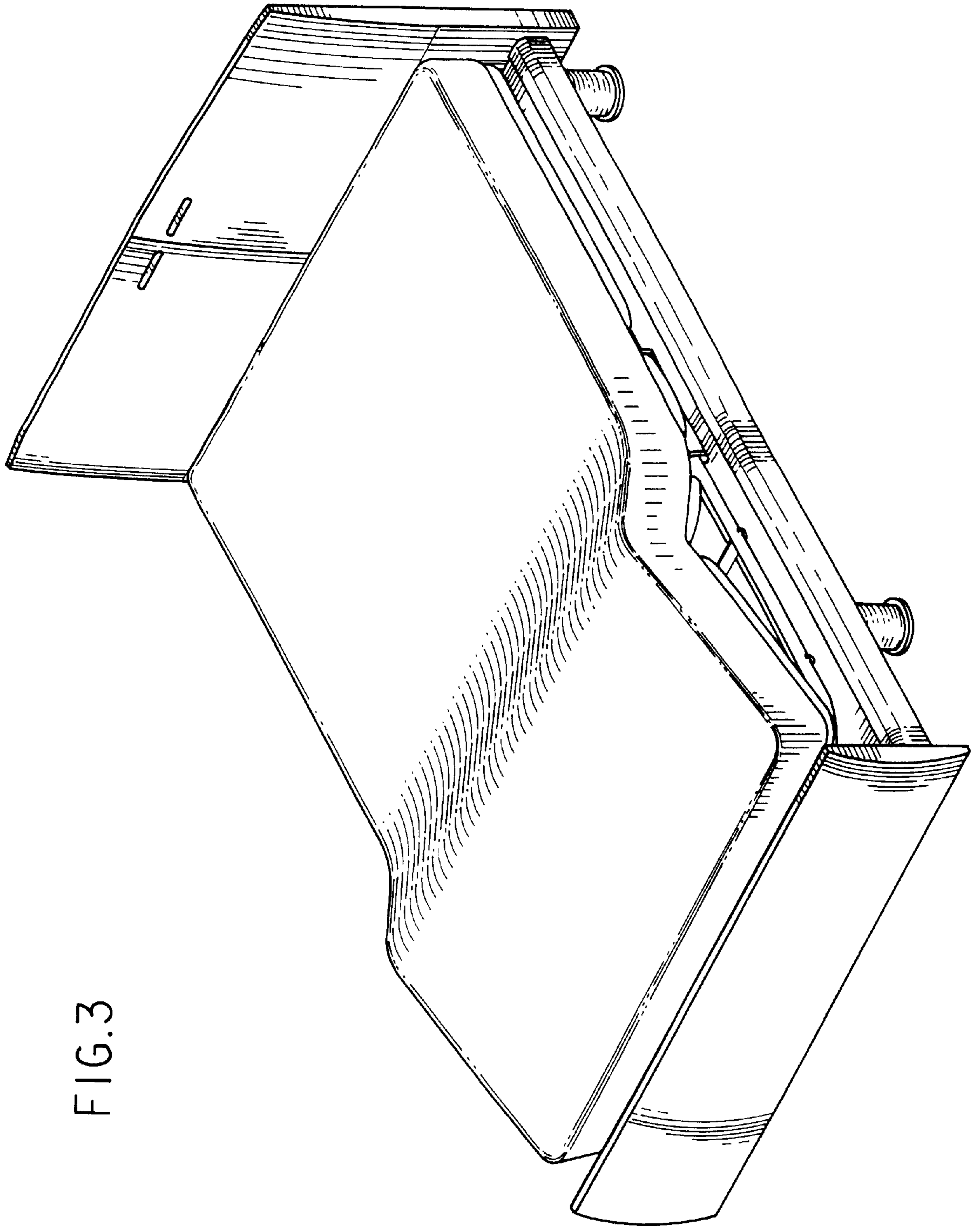


FIG.3

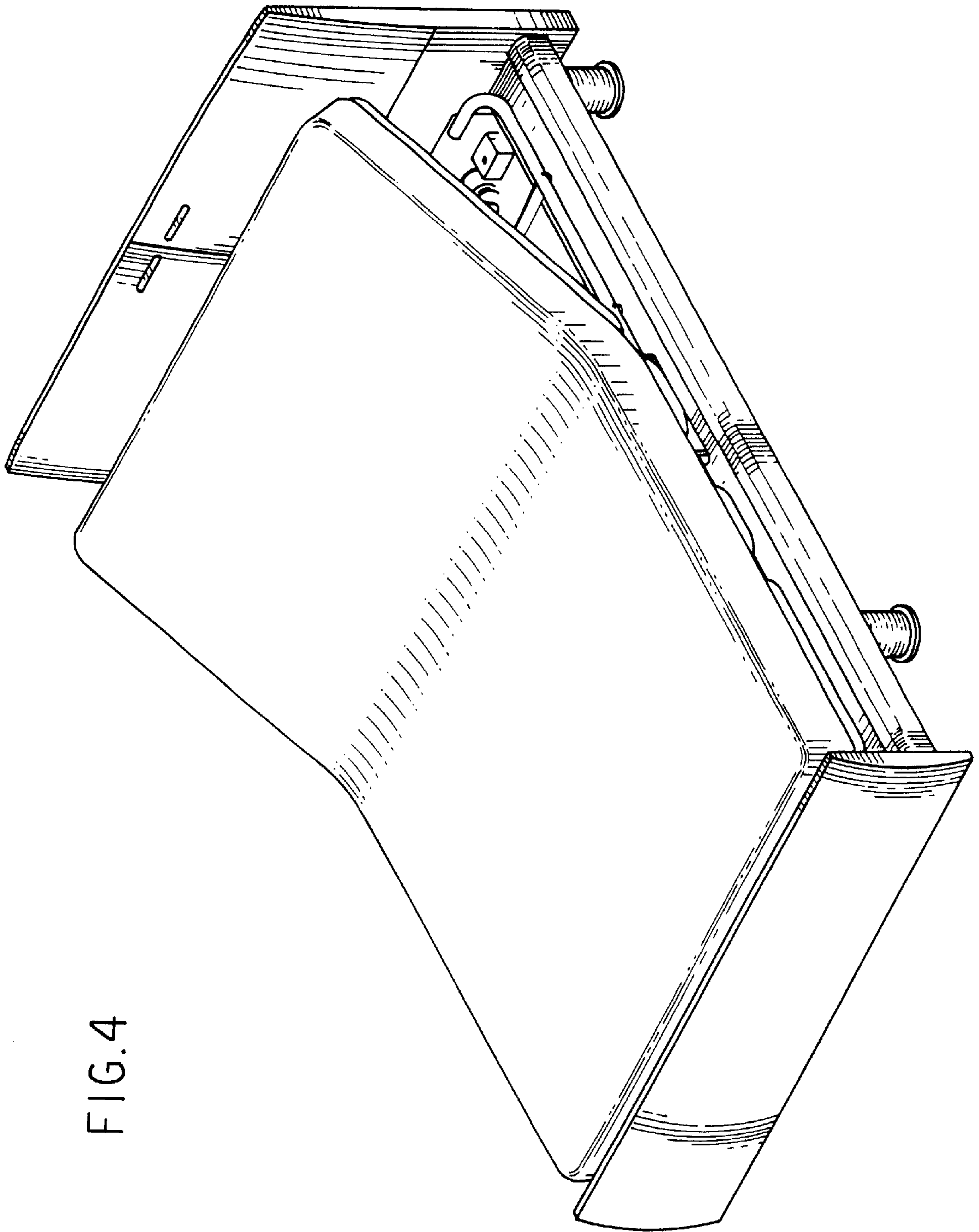


FIG.4

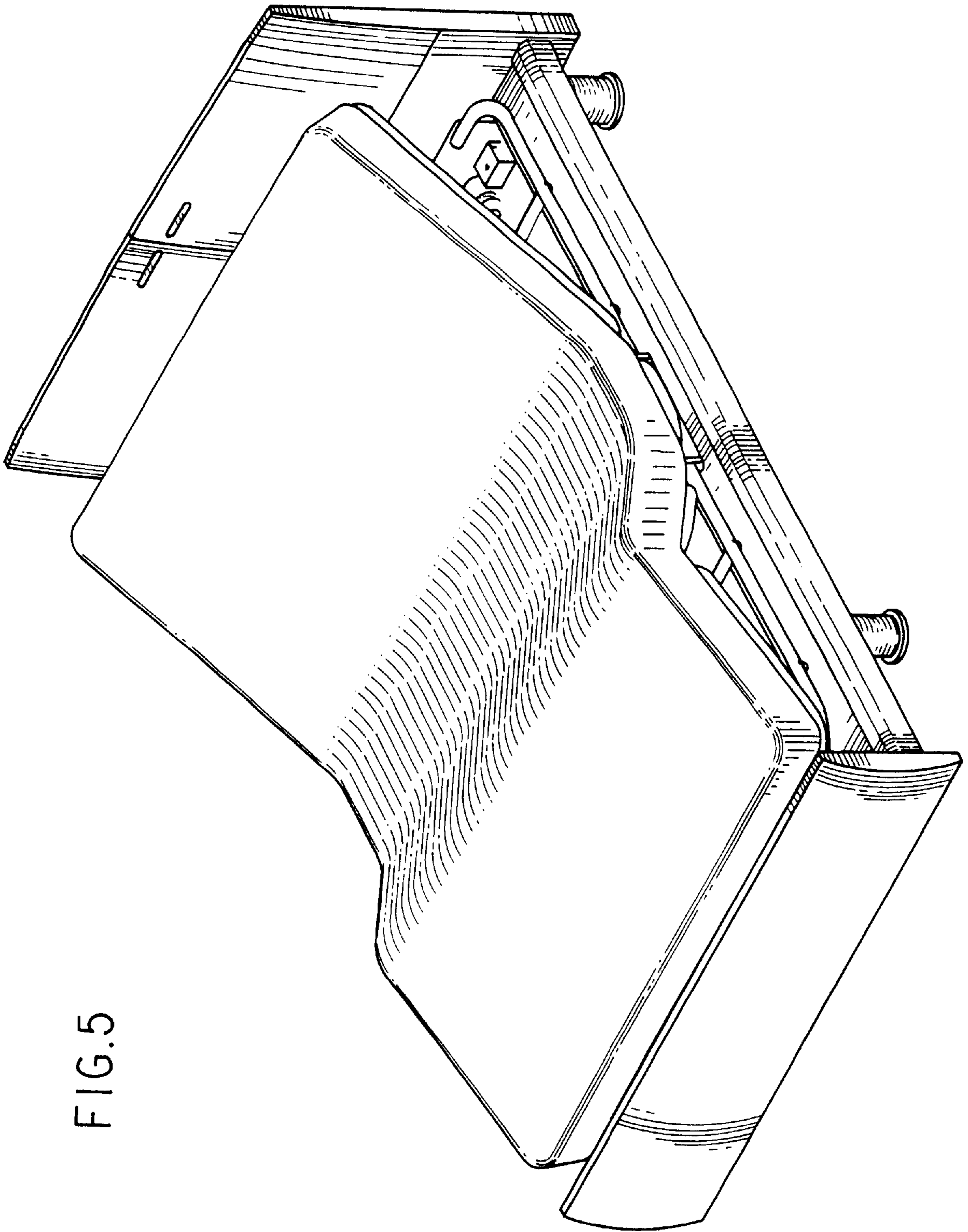


FIG.5

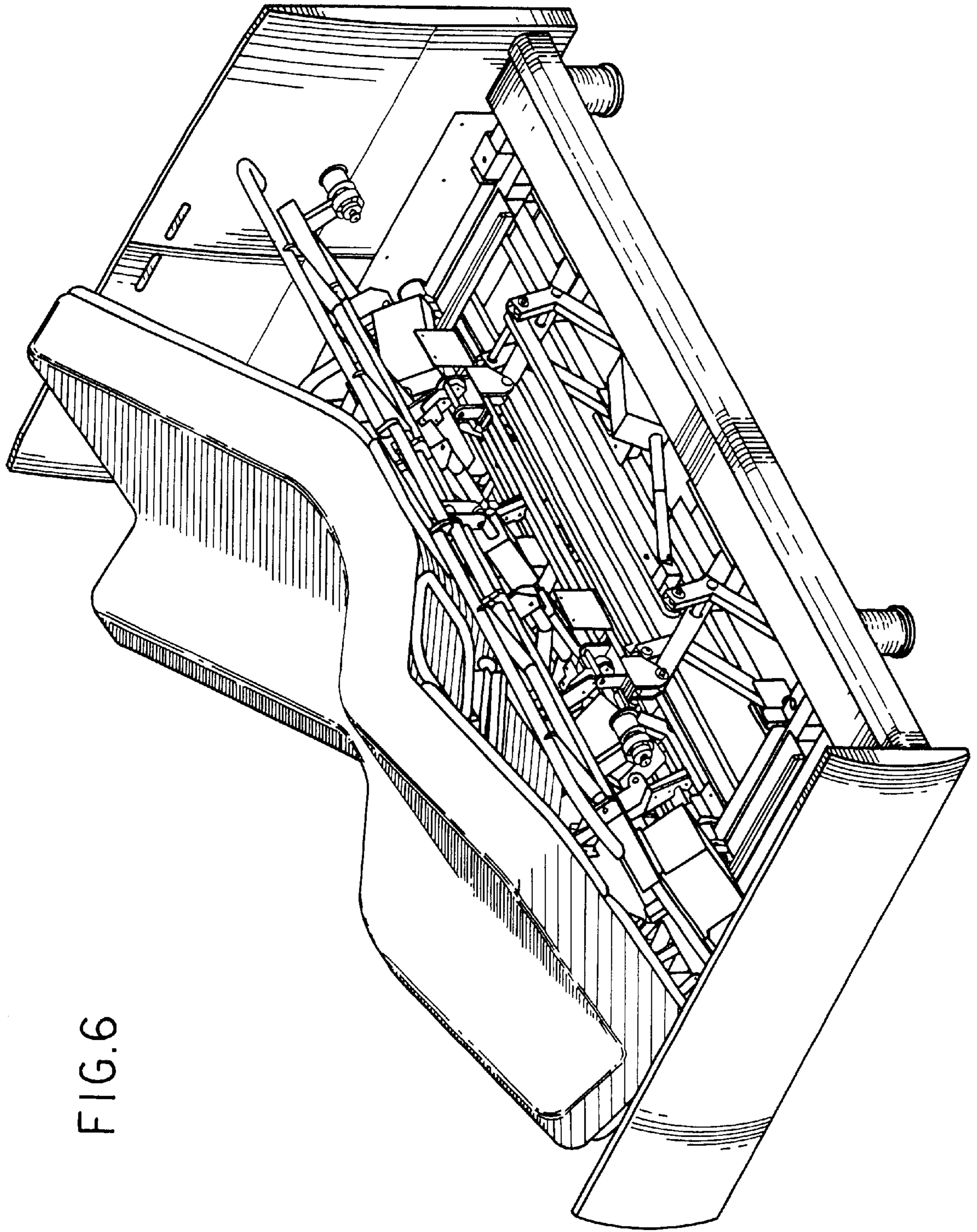


FIG.6

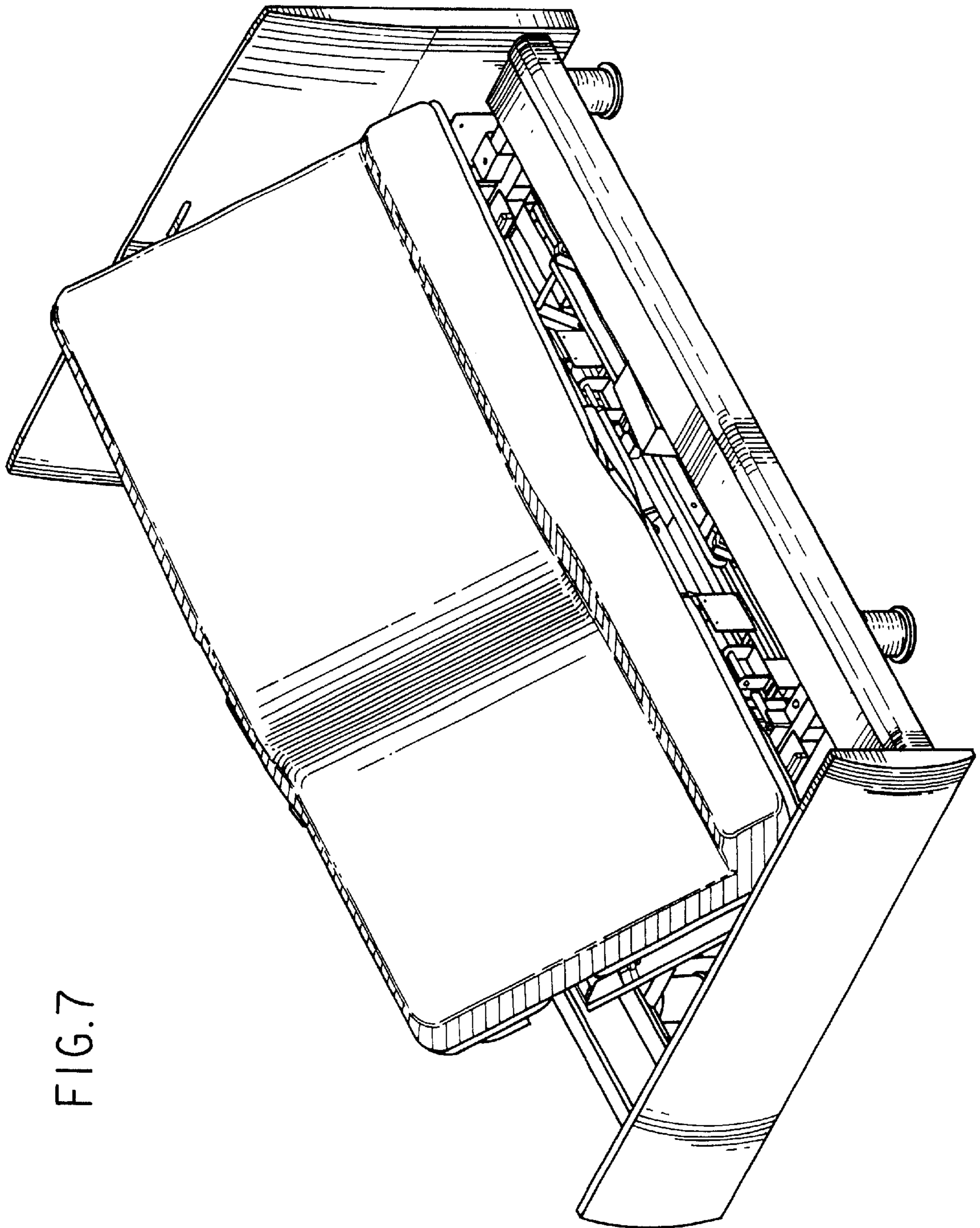


FIG. 7