



US00D480887S

(12) **United States Design Patent**  
**Tolfsen et al.**

(10) **Patent No.:** **US D480,887 S**

(45) **Date of Patent:** **\*\* Oct. 21, 2003**

(54) **BED**

6,389,622 B1 \* 5/2002 Her et al. .... 5/600

\* cited by examiner

(75) Inventors: **Ulf Tolfsen**, Fredrikstad (NO); **Michel Naert**, Västra Frölunda (SE); **Magnus Karemyr**, Tollered (SE)

*Primary Examiner*—Janice E. Seeger  
(74) *Attorney, Agent, or Firm*—Lerner, David, Littenberg, Krumholz & Mentlik, LLP

(73) Assignees: **Xdin AB (Publ)** (SE); **Labyrinth Development AS** (NO)

(57) **CLAIM**

(\*\*) Term: **14 Years**

The ornamental design for a bed, as shown and described.

(21) Appl. No.: **29/147,864**

**DESCRIPTION**

(22) Filed: **Sep. 7, 2001**

FIG. 1 is a right side, elevational view of the design of a bed according to the present invention, with the left side being the mirror image thereof;

(30) **Foreign Application Priority Data**

Mar. 12, 2001 (SE) ..... 01-0440

FIG. 2 is a front, elevational view of the bed shown in FIG. 1, with the rear view being the mirror image thereof;

(51) **LOC (7) Cl.** ..... **06-01**

(52) **U.S. Cl.** ..... **D6/392**

(58) **Field of Search** ..... D6/382, 383, 384, D6/397, 392-395, 505-508; 5/53.1, 279, 280, 281, 310, 907, 211, 618, 600, 611-614, 177-180, 286

FIG. 3 is a left side, bottom perspective view of the bed shown in FIG. 1;

FIG. 4 is a right side, top perspective view of the bed shown in FIG. 1;

FIG. 5 is a right side, elevational view of the bed shown in FIG. 1, set in an alternative position;

FIG. 6 is a left side, bottom perspective view of the bed shown in FIG. 1 set in the position shown in FIG. 5;

FIG. 7 is a right side, top perspective view of the bed shown in FIG. 1 set in the position shown in FIG. 5;

FIG. 8 is a right side, bottom perspective view of the bed shown in FIG. 1, set in yet another alternative position; and,

FIG. 9 is a right side, top perspective view of the bed shown in FIG. 1 set in the position shown in FIG. 8.

(56) **References Cited**

**U.S. PATENT DOCUMENTS**

D229,260 S \* 11/1973 Benoit et al. .... D6/392  
5,269,388 A \* 12/1993 Reichow et al. .... 5/600 X  
6,282,738 B1 \* 9/2001 Heimbrock et al. .... 5/618  
6,320,510 B2 \* 11/2001 Menkedick et al. .... 5/600 X

**1 Claim, 9 Drawing Sheets**

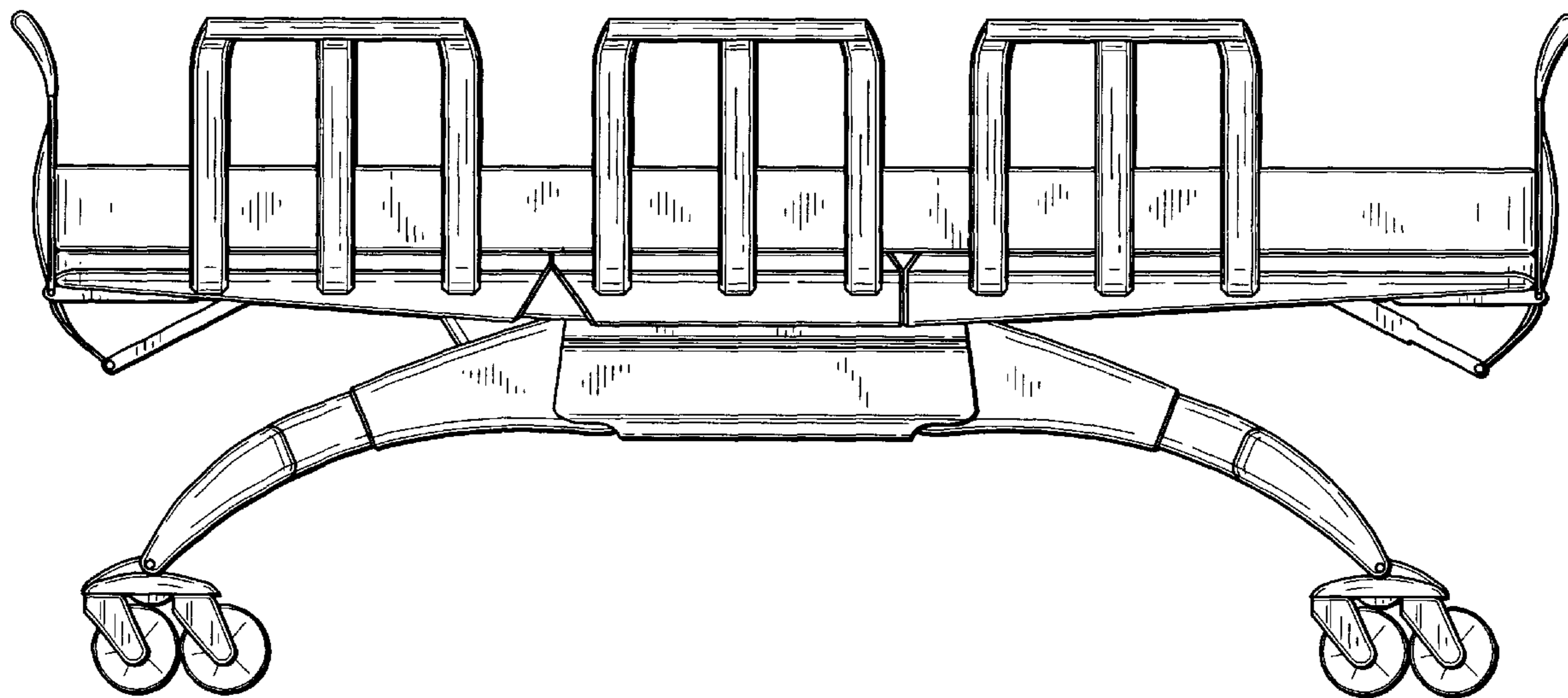


FIG. 1

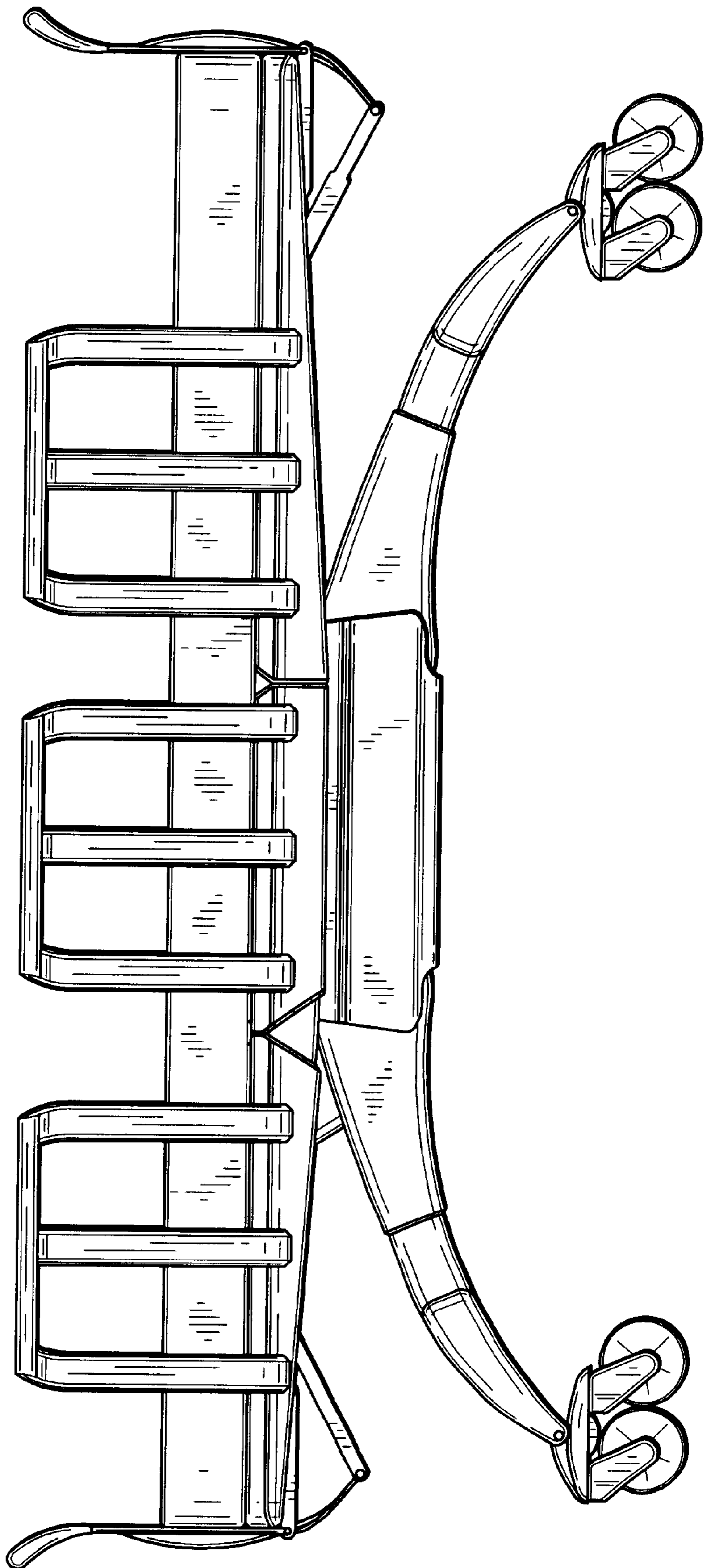


FIG. 2

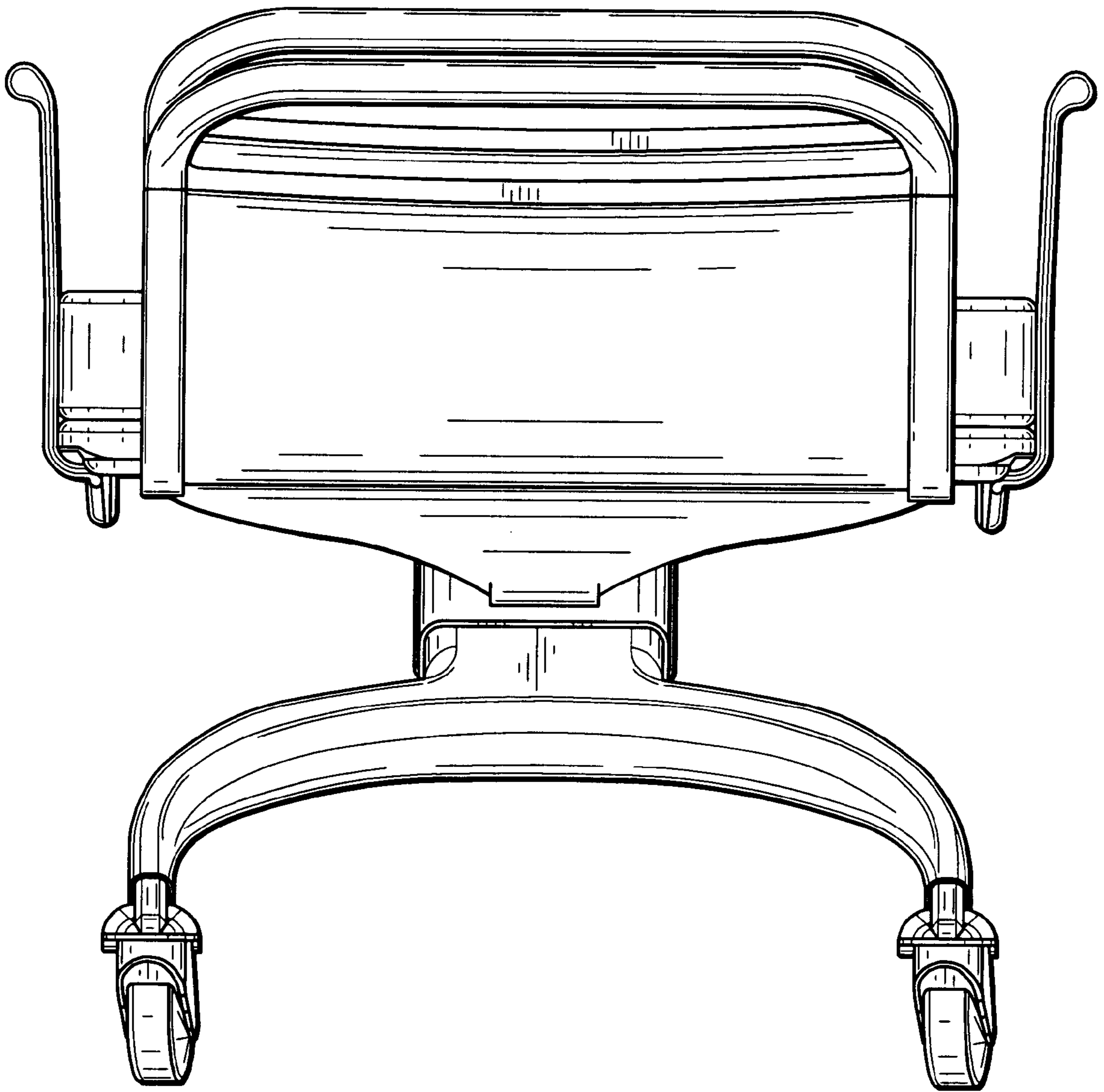




FIG. 3

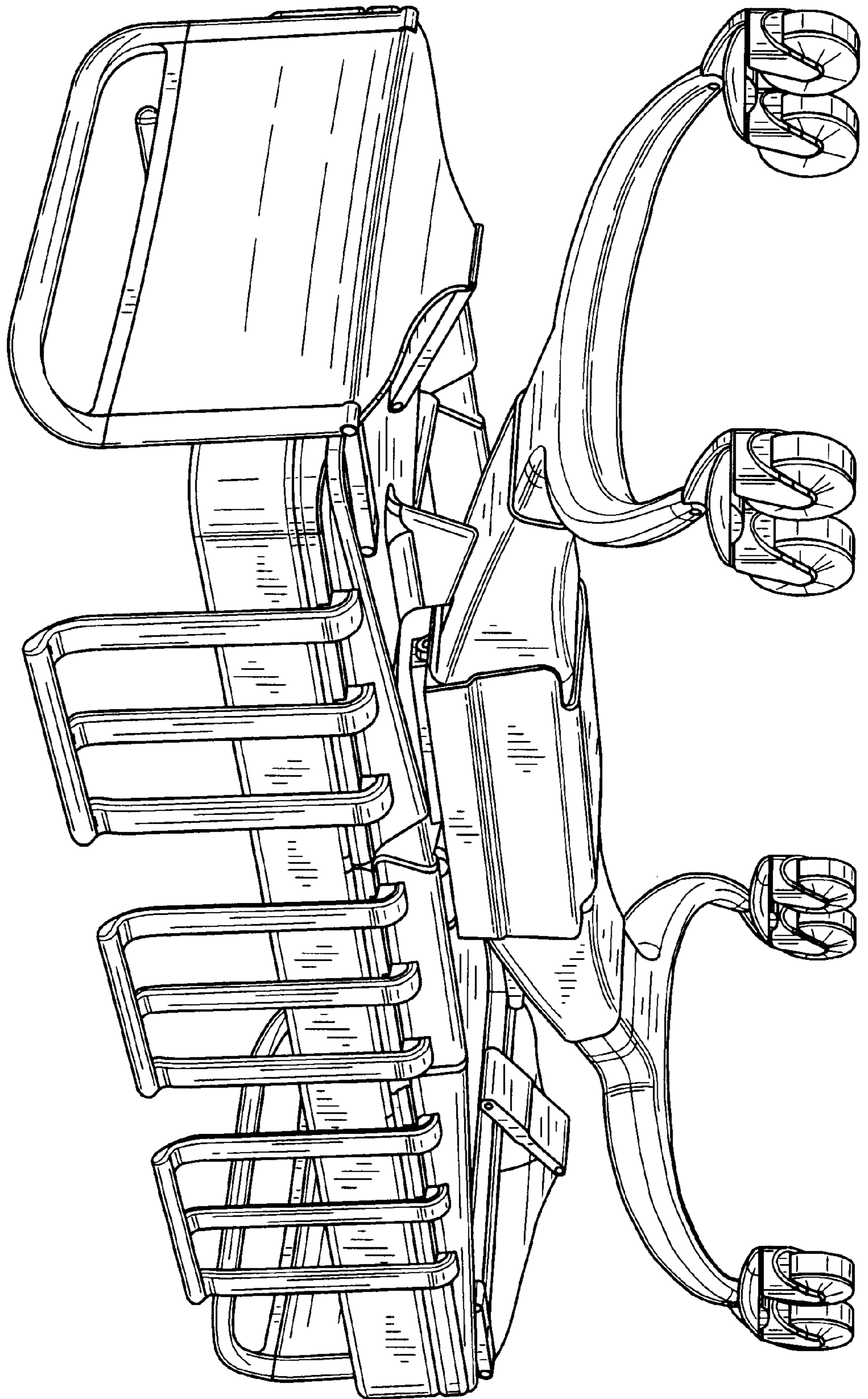
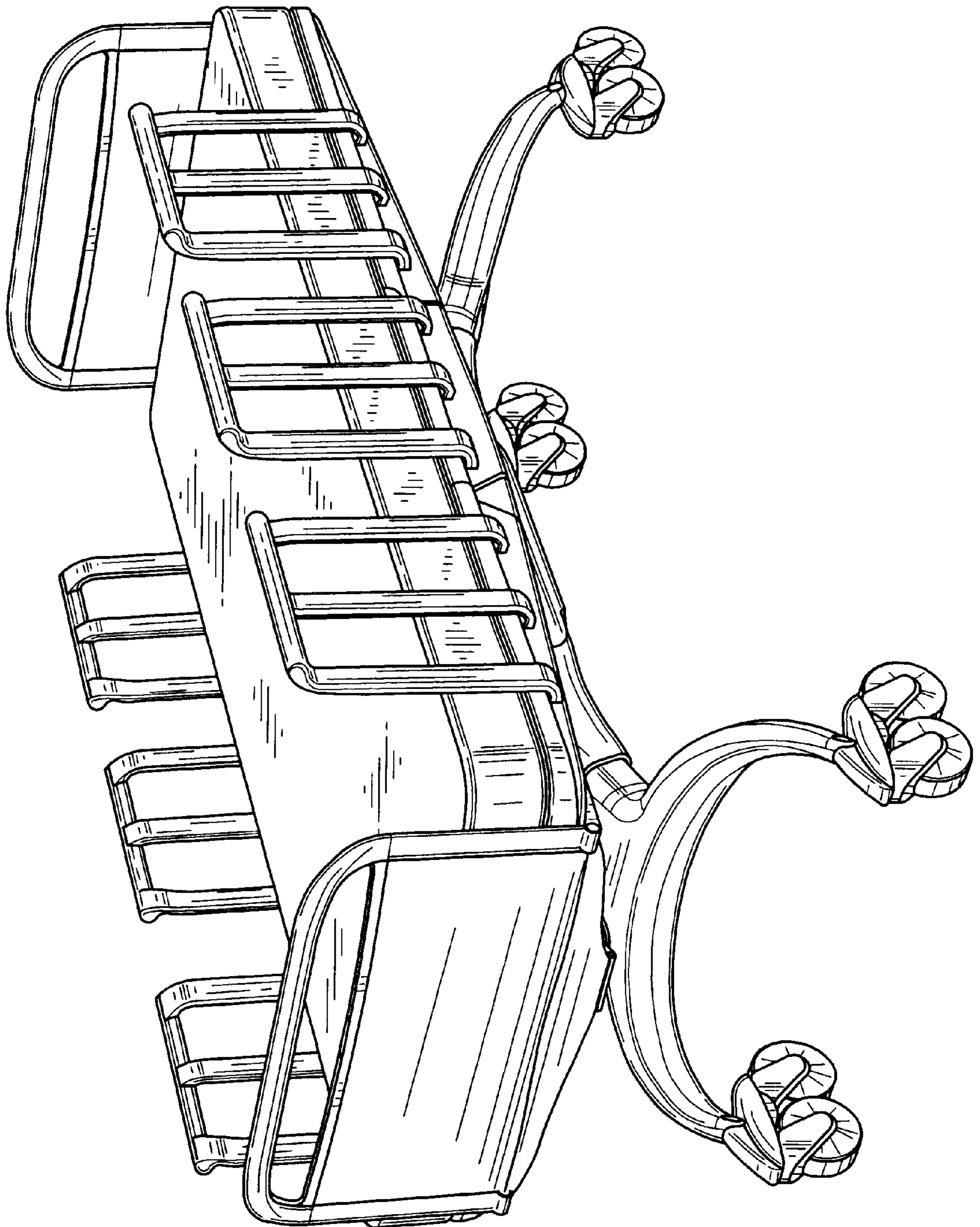


FIG. 4



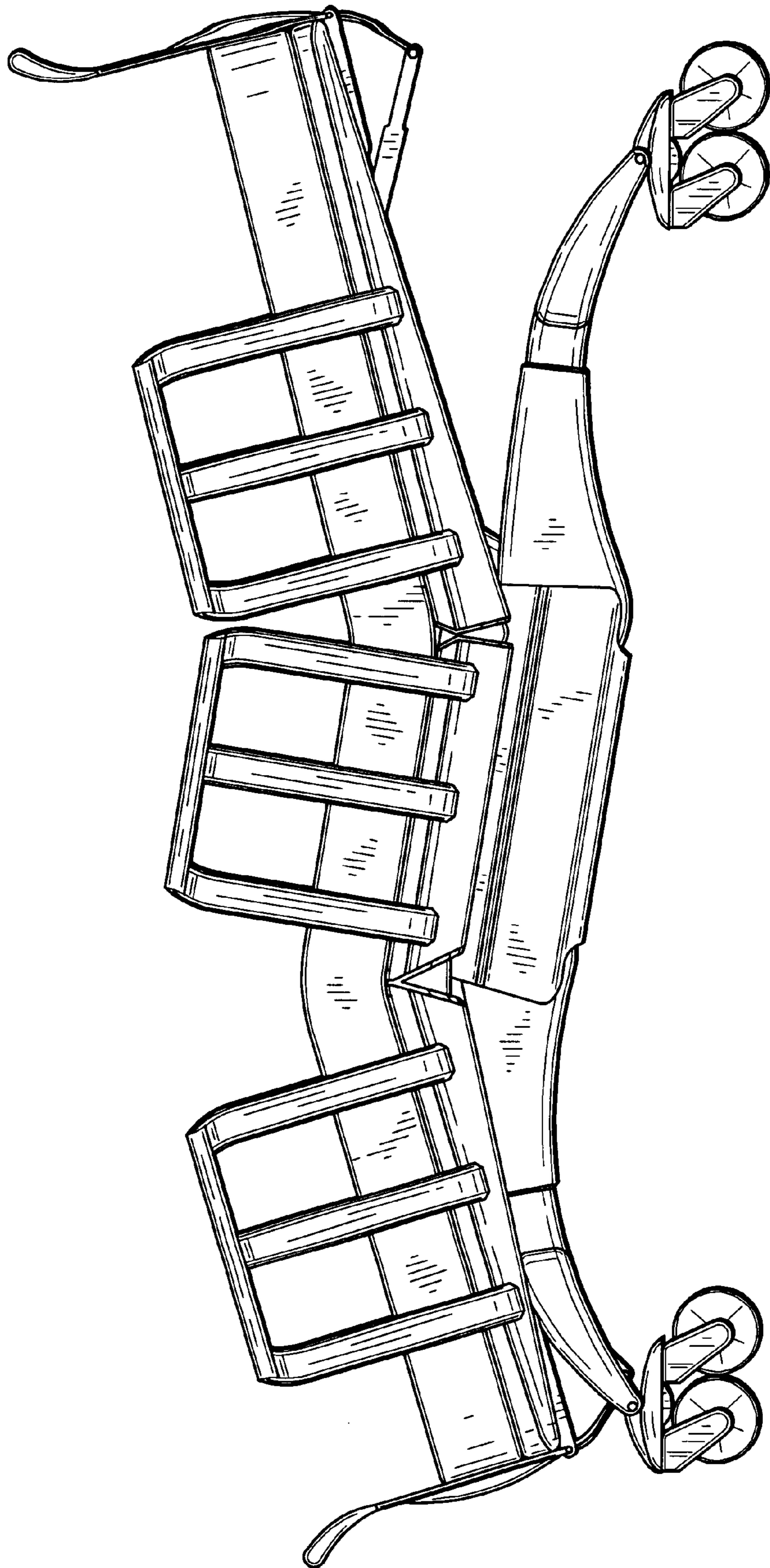


FIG. 5



FIG. 6

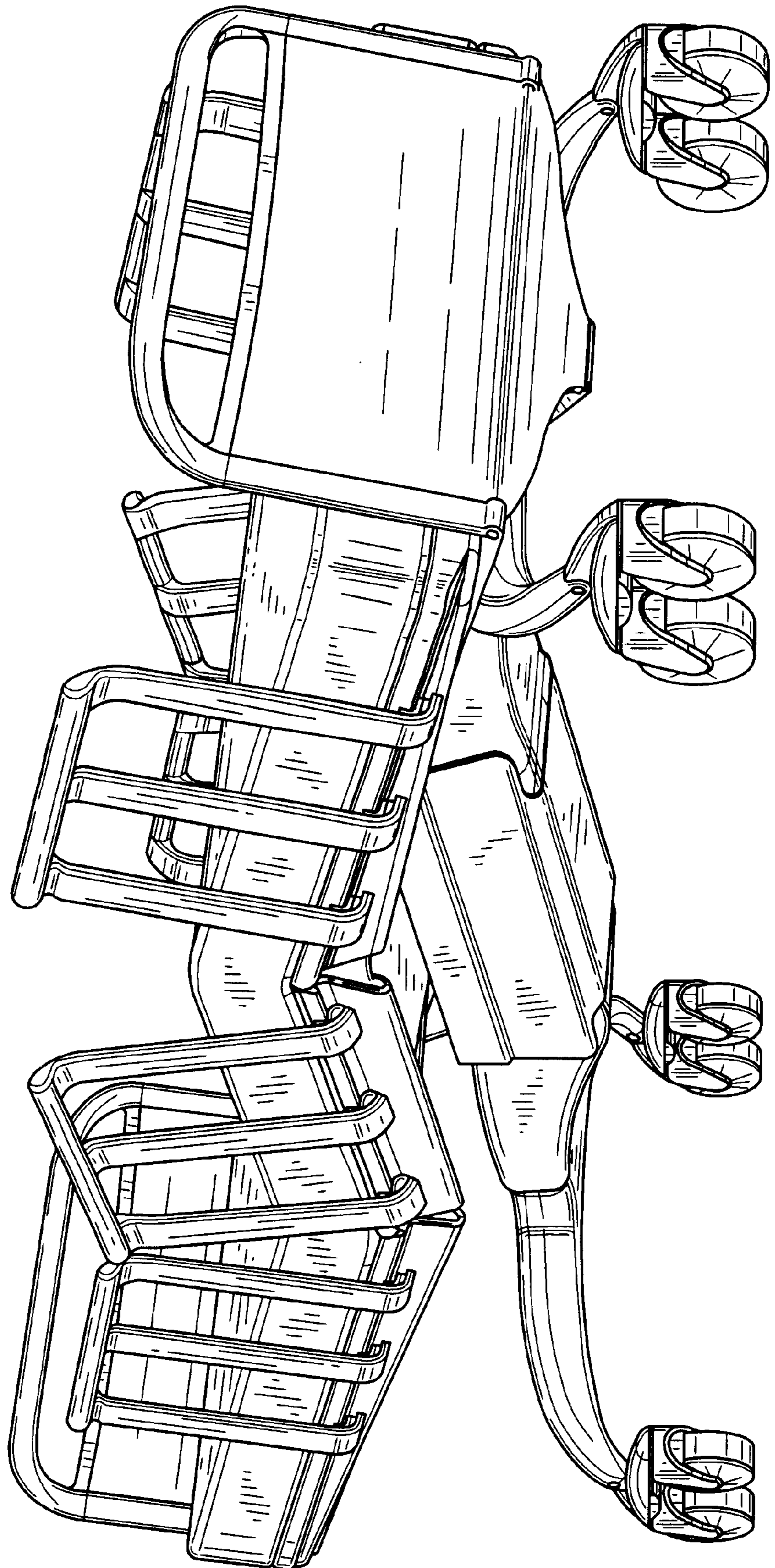


FIG. 7

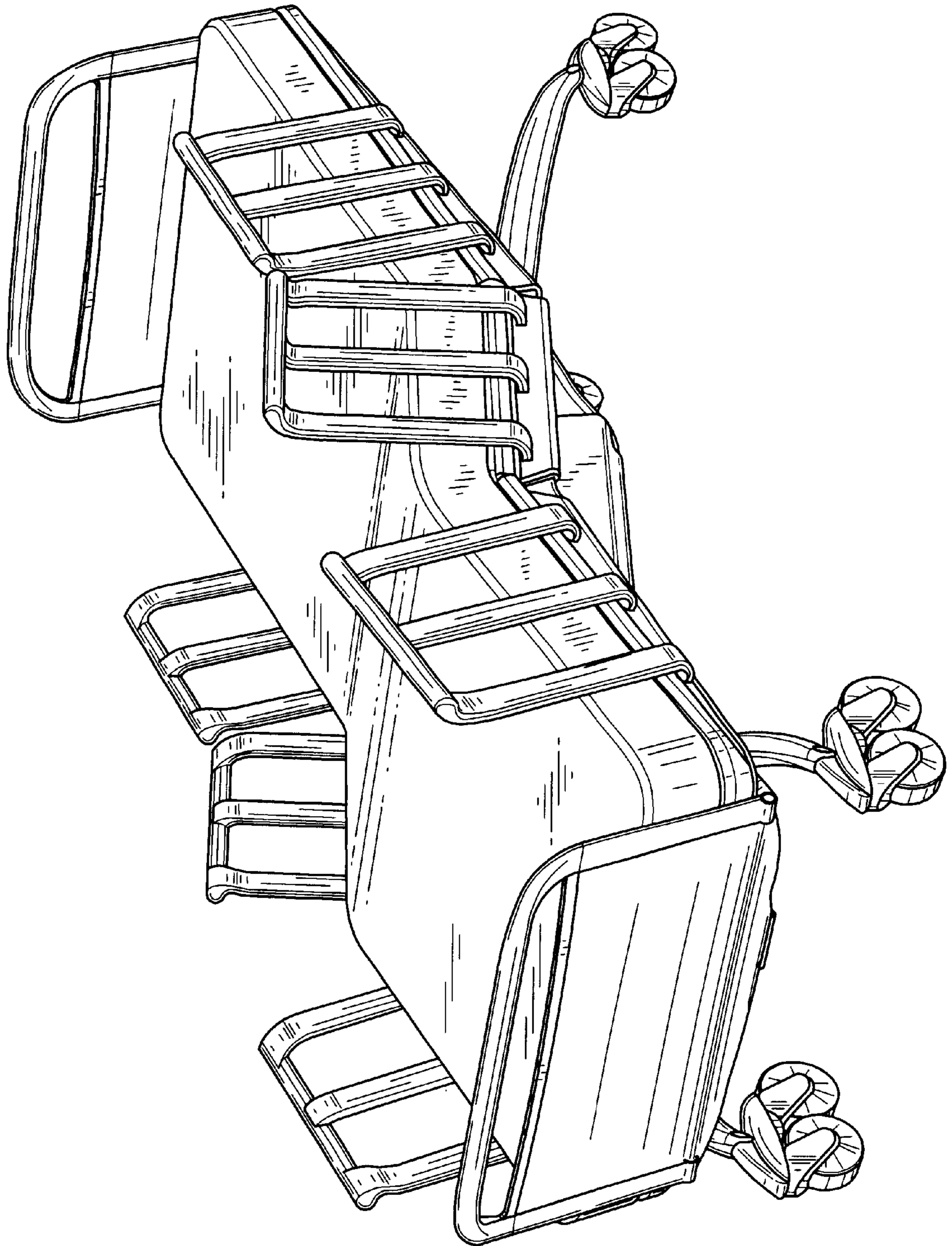




FIG. 8

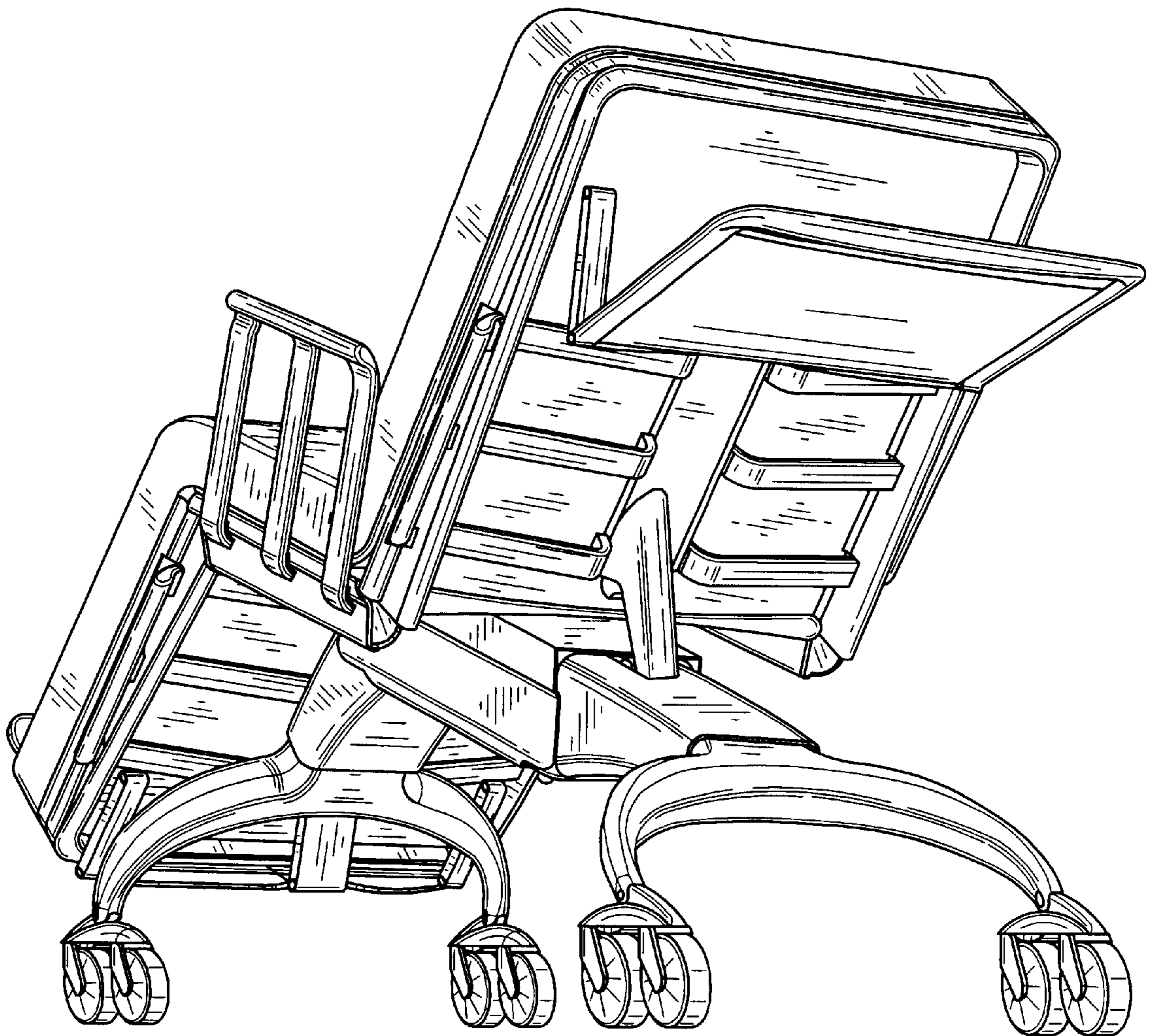
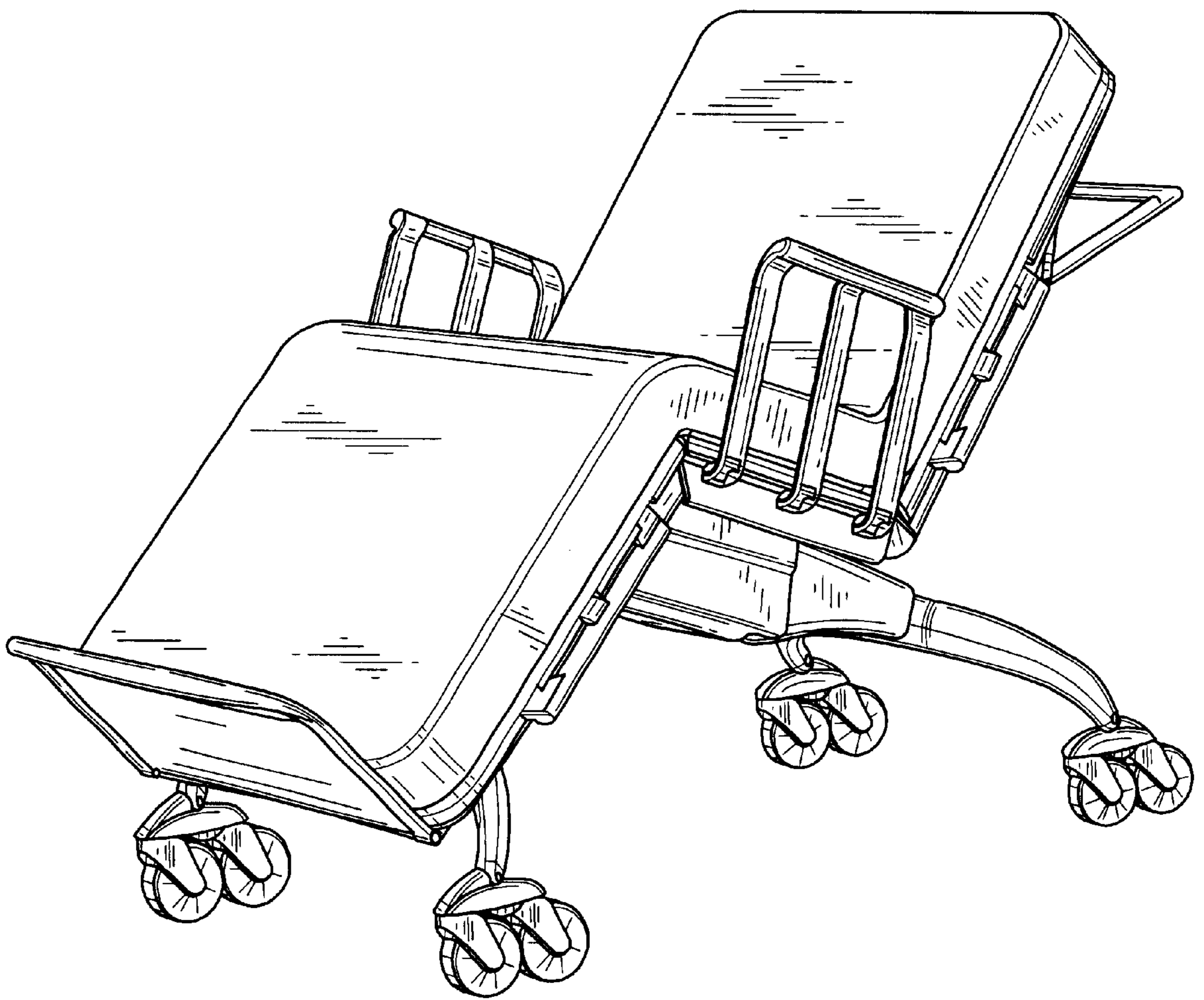


FIG. 9



UNITED STATES PATENT AND TRADEMARK OFFICE  
**CERTIFICATE OF CORRECTION**

PATENT NO. : Des. 480,887 S  
DATED : October 21, 2003  
INVENTOR(S) : Ulf Tølfesen, Michel S. Naert and Magnus Kåremyr

Page 1 of 1

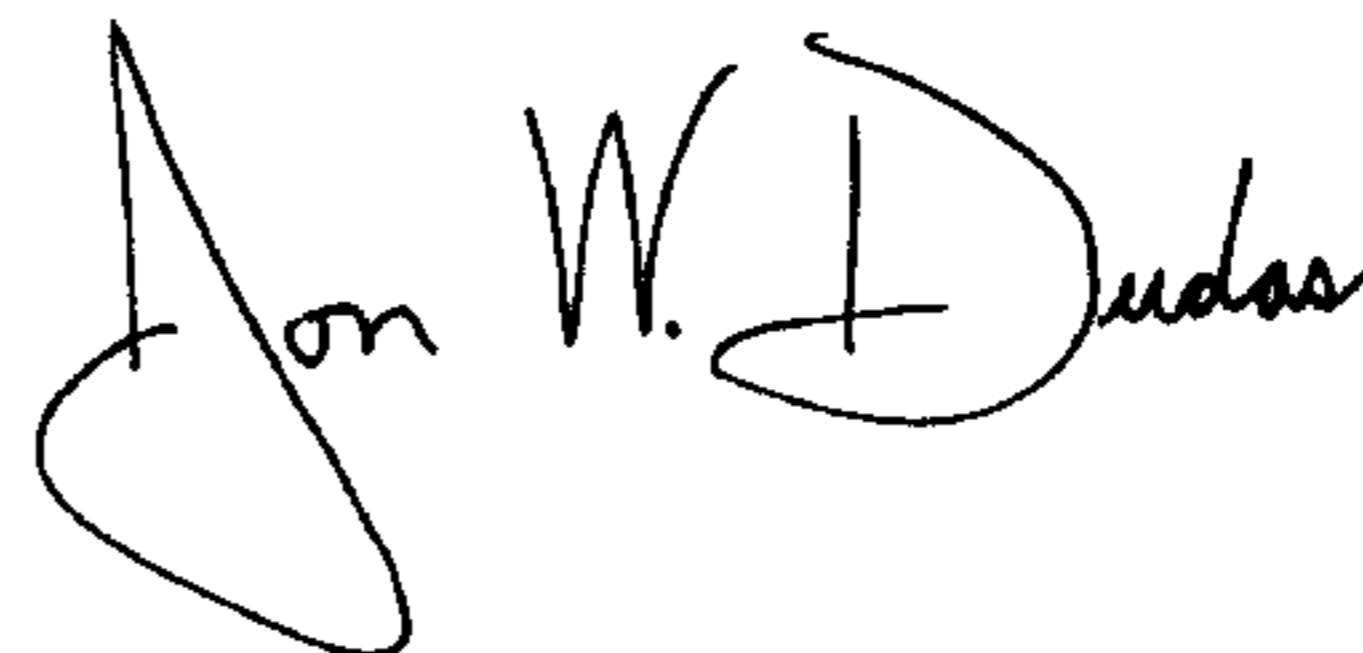
It is certified that error appears in the above-identified patent and that said Letters Patent is hereby corrected as shown below:

Title page,

Item [73], Assignees, “**Xdin AB**” should read -- **XDIN AB** --.

Signed and Sealed this

Twenty-seventh Day of January, 2004

A handwritten signature in black ink, reading "Jon W. Dudas". The signature is written in a cursive style with a large, looped initial "J".

JON W. DUDAS

*Acting Director of the United States Patent and Trademark Office*