



US00D480886S

(12) **United States Design Patent**
Lin

(10) **Patent No.:** **US D480,886 S**

(45) **Date of Patent:** **** Oct. 21, 2003**

(54) **HAMMOCK**

5,528,779 A * 6/1996 Lee et al. 5/413
5,729,845 A * 3/1998 Hsu 5/120

(75) Inventor: **Steve Lin**, Chiai (TW)

* cited by examiner

(73) Assignee: **Compex International Co., Ltd.**, Chia I Hsien (TW)

Primary Examiner—Janice E. Seeger
(74) *Attorney, Agent, or Firm*—Rosenberg, Klein & Lee

(**) Term: **14 Years**

(57) **CLAIM**

(21) Appl. No.: **29/171,606**

The ornamental design for a hammock, as shown and described.

(22) Filed: **Nov. 26, 2002**

(51) **LOC (7) Cl.** **06-01**

(52) **U.S. Cl.** **D6/387**

(58) **Field of Search** D6/382–388; 5/2.1, 5/120, 121, 122, 113, 112, 127, 128, 418

DESCRIPTION

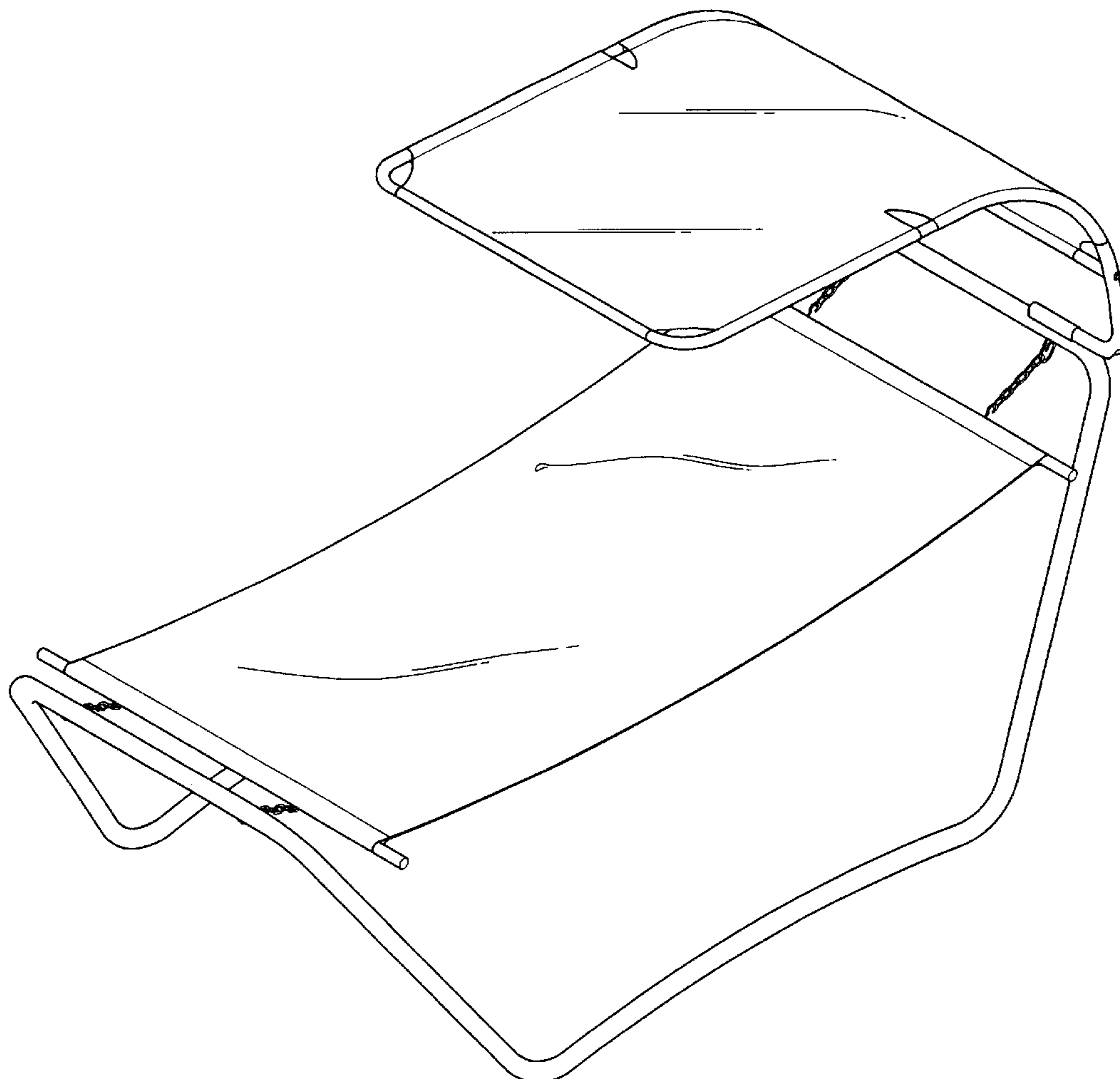
(56) **References Cited**

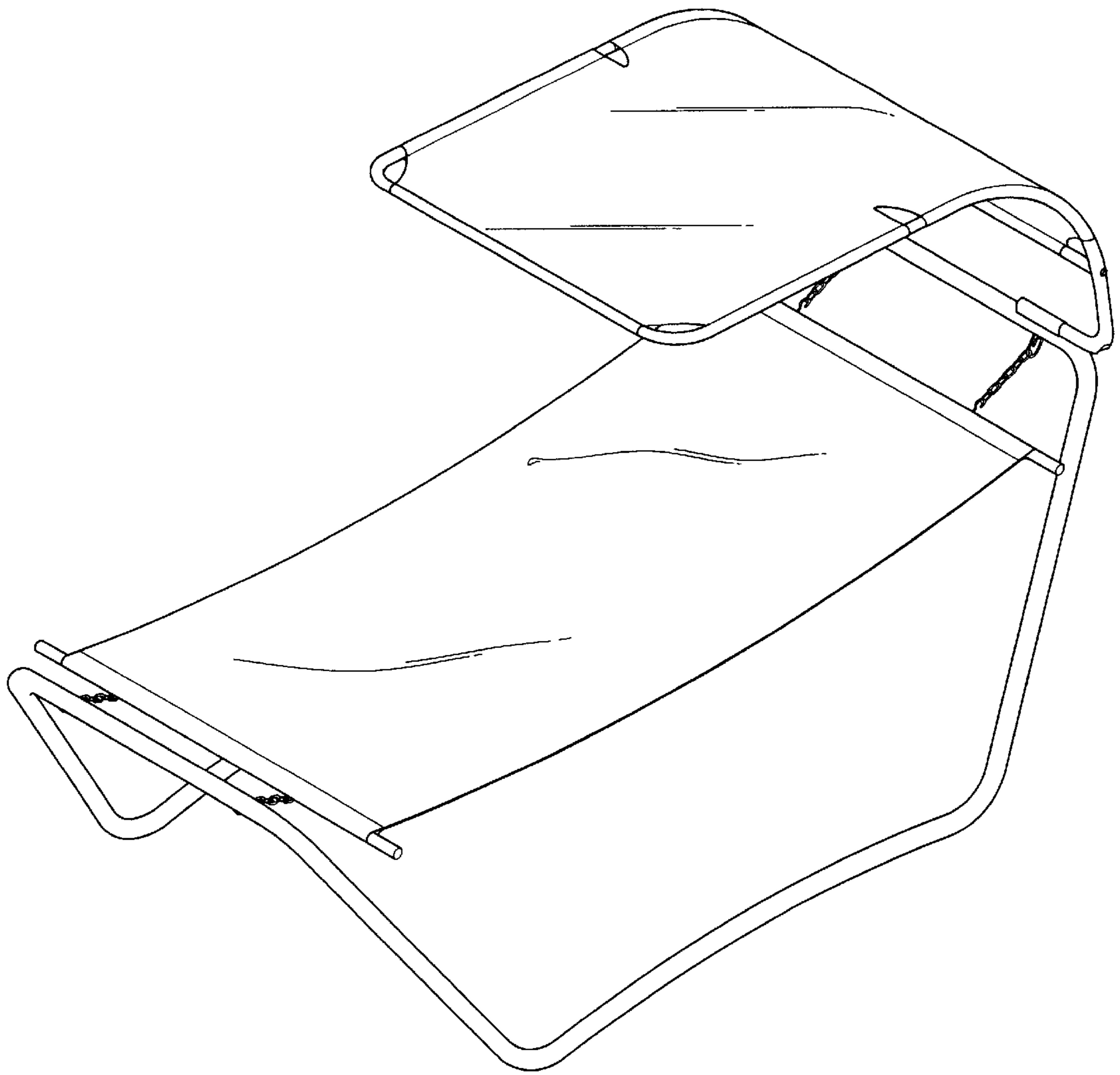
U.S. PATENT DOCUMENTS

2,569,596 A * 10/1951 Anderegg D6/387
3,321,780 A * 5/1967 Morris D6/387
D342,841 S * 1/1994 Campanello D6/387

FIG. 1 is a perspective view of a hammock showing my new design;
FIG. 2 is a front elevational view thereof;
FIG. 3 is a rear elevational view thereof;
FIG. 4 is a left side elevational view thereof;
FIG. 5 is a right side elevational view thereof;
FIG. 6 is a top plan view thereof; and,
FIG. 7 is a bottom plan view thereof.

1 Claim, 6 Drawing Sheets





F I G . 1

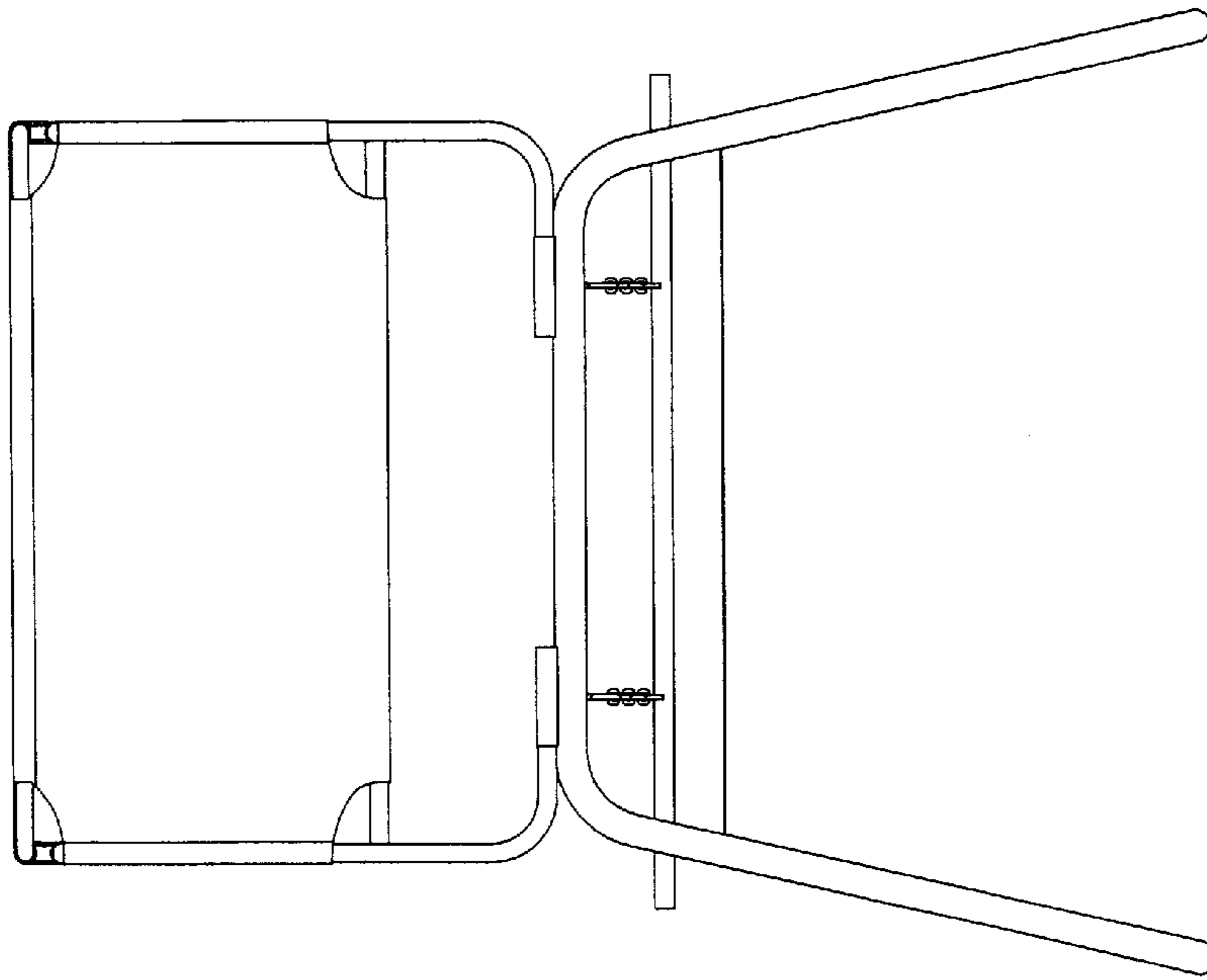


FIG. 2

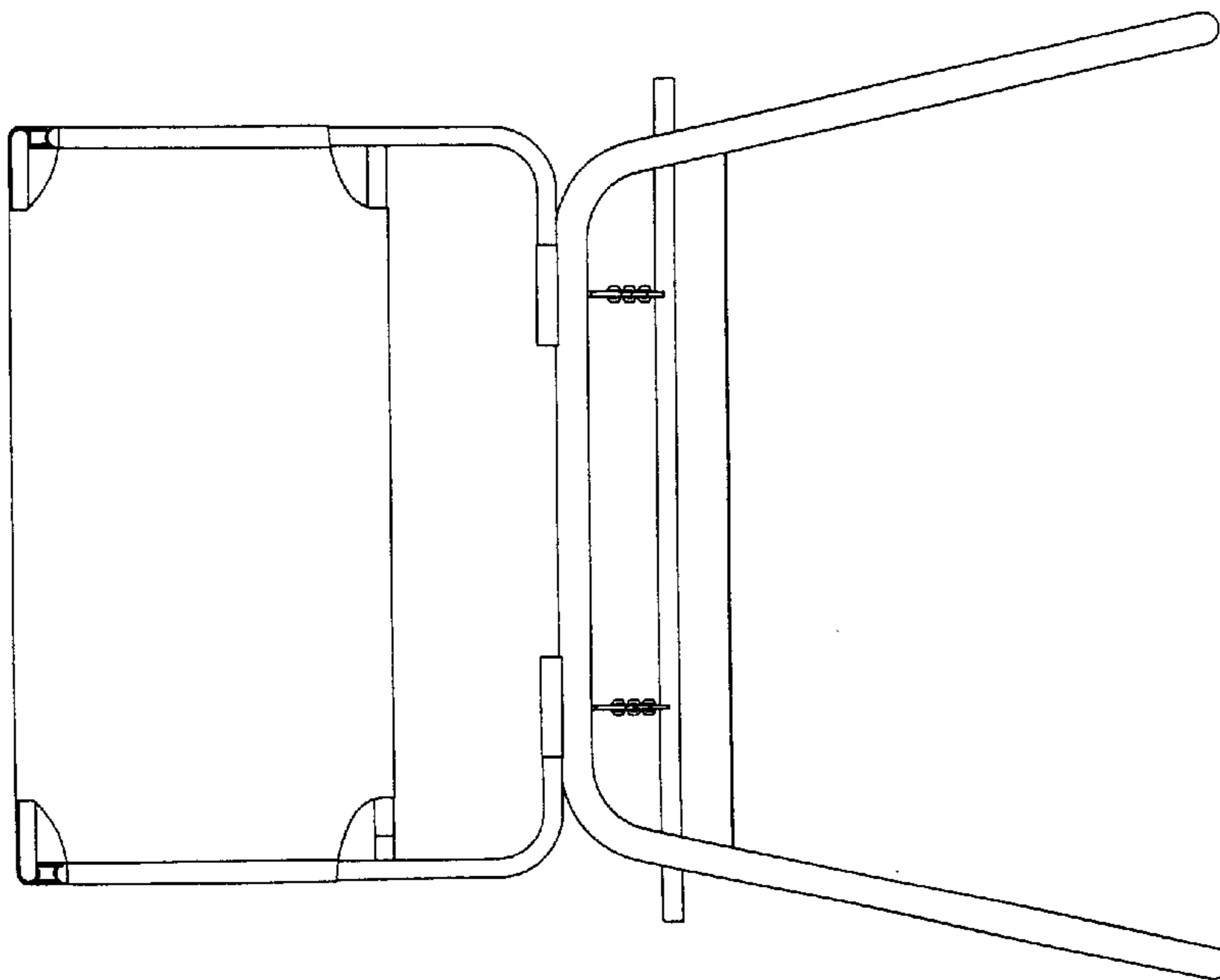


FIG. 3

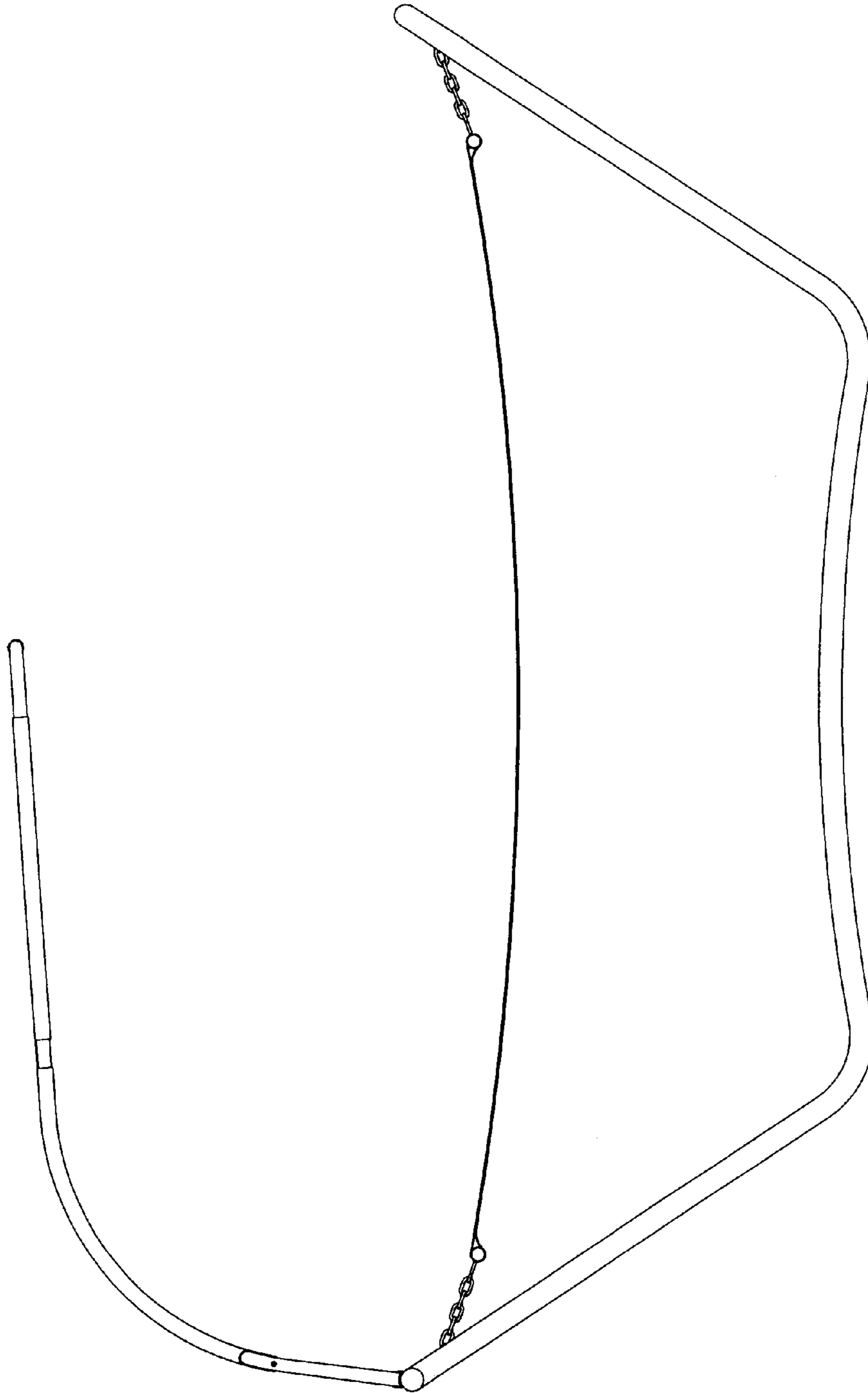


FIG. 4

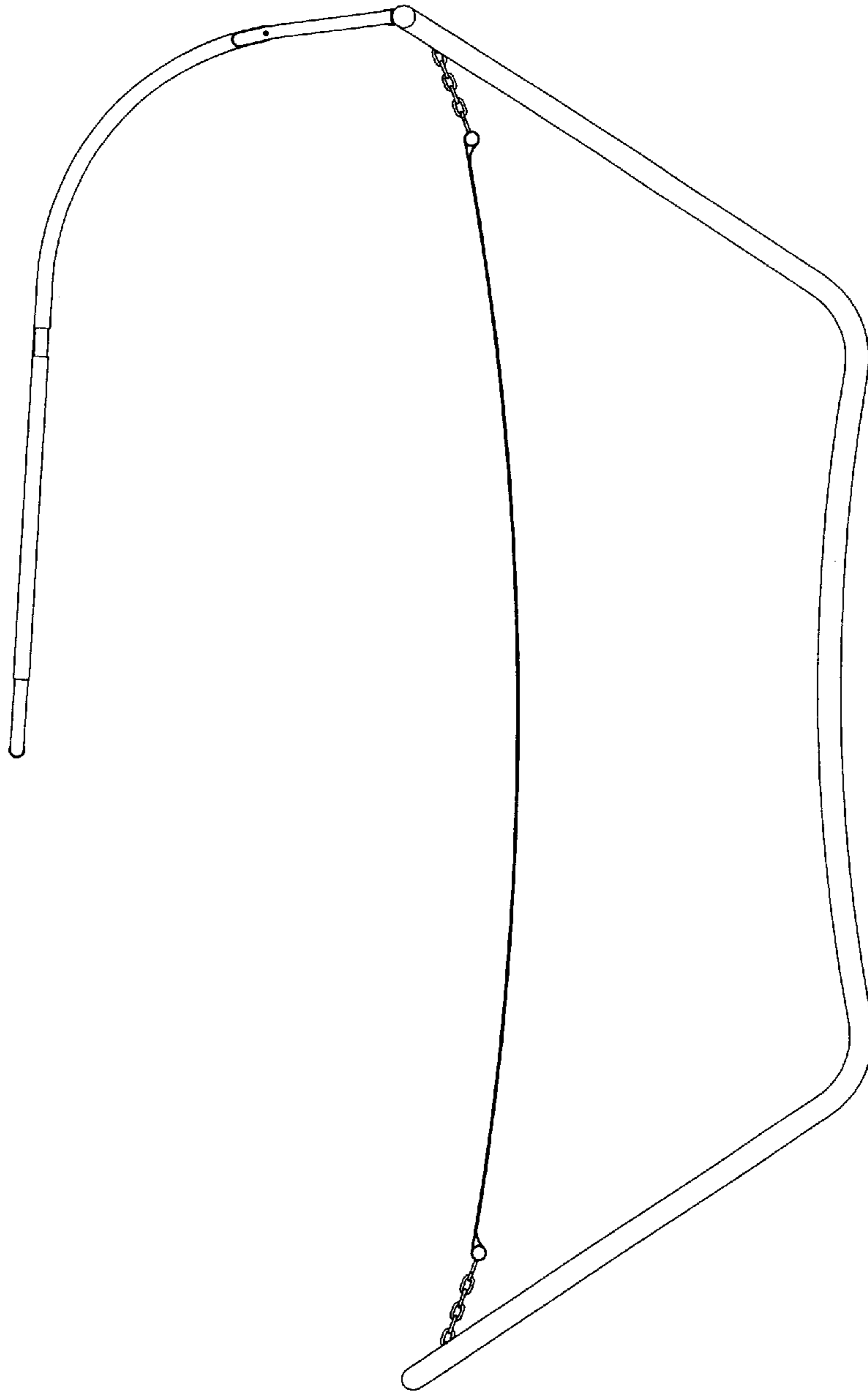


FIG. 5

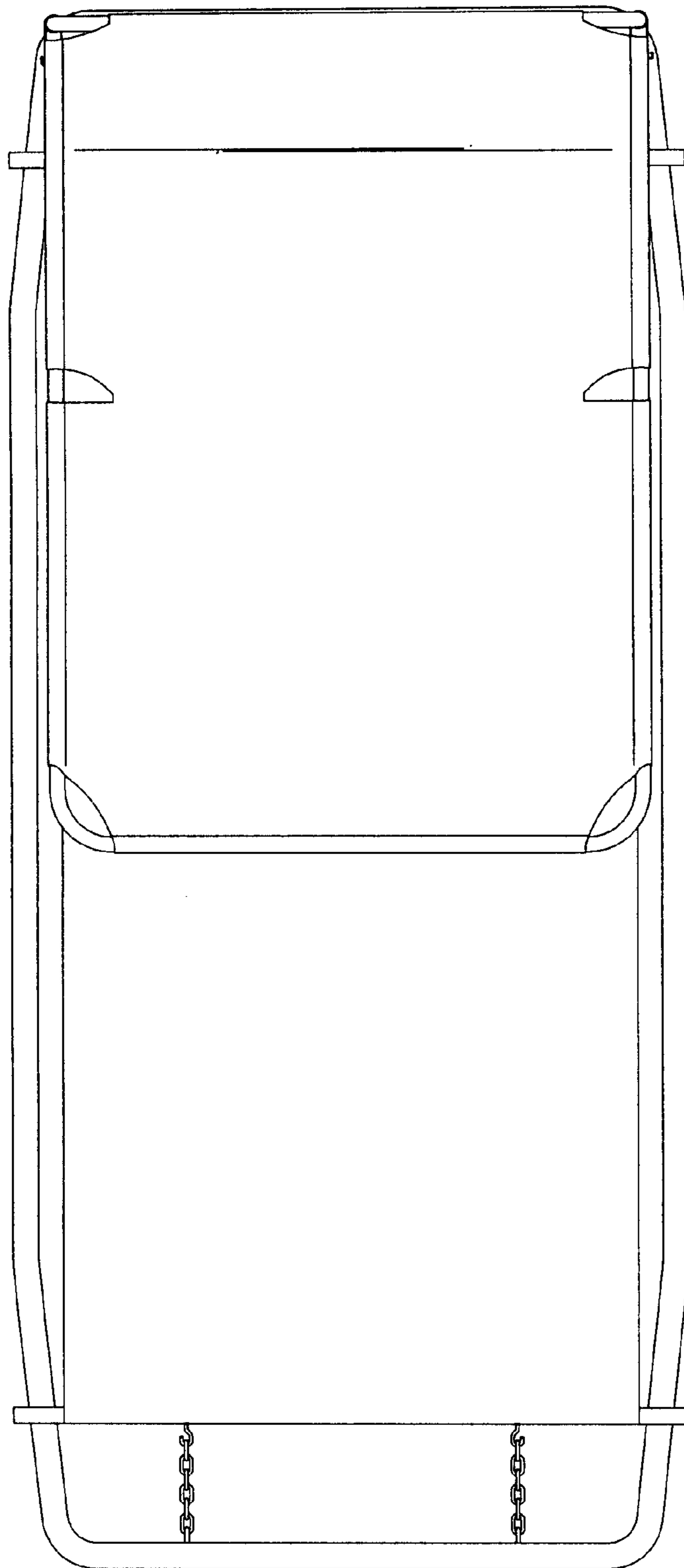


FIG. 6

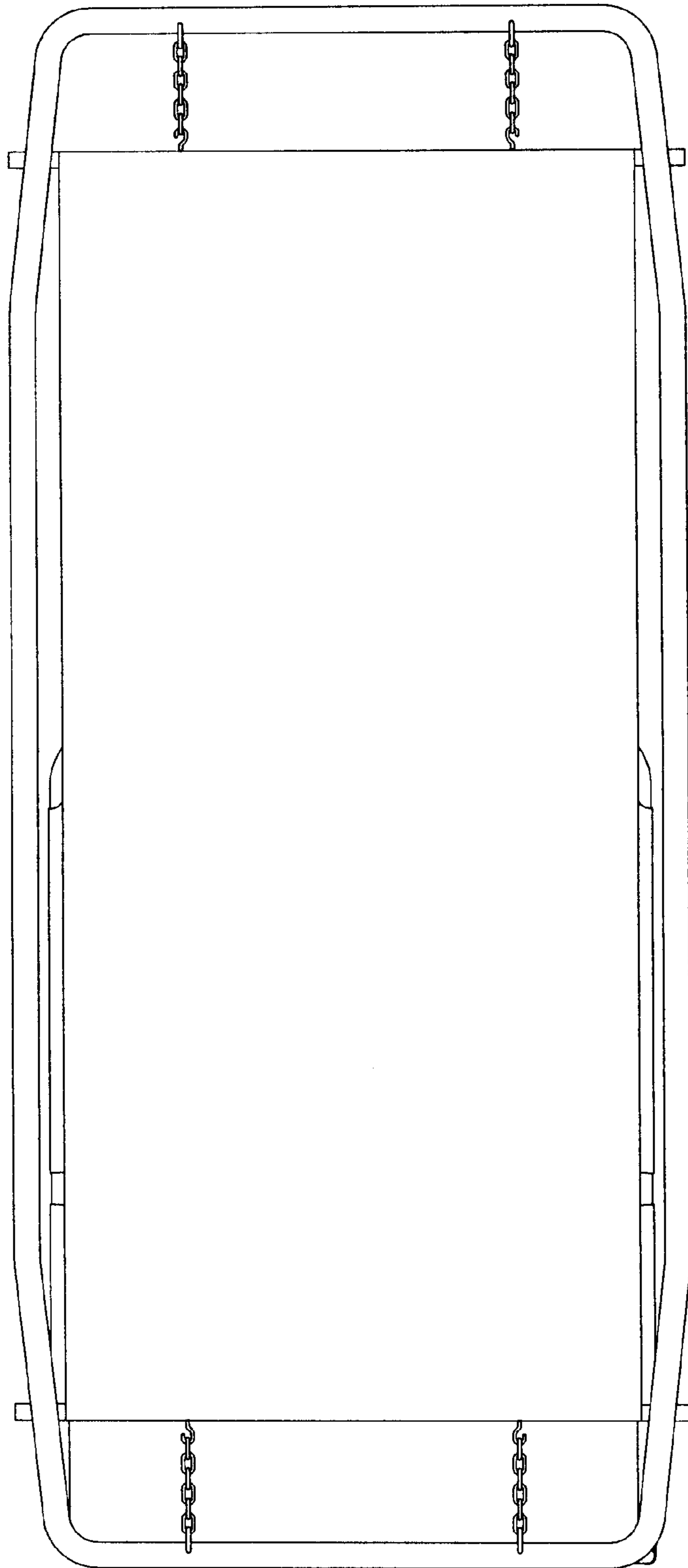


FIG. 7