



US00D480885S

(12) **United States Design Patent**
Martin

(10) **Patent No.:** **US D480,885 S**

(45) **Date of Patent:** **** Oct. 21, 2003**

(54) **SEAT**

D424,123 S * 5/2000 Henriksen D6/488 X

(76) **Inventor:** **Carib D. Martin**, 6804 Sparrow La.,
Carbondale, IL (US) 62901

OTHER PUBLICATIONS

Lane, p. 53, Drum table at lower right.*

(**) **Term:** **14 Years**

* cited by examiner

(21) **Appl. No.:** **29/175,151**

Primary Examiner—Janice E. Seeger

(22) **Filed:** **Jan. 30, 2003**

(74) *Attorney, Agent, or Firm*—Heslin Rothenberg Farley
& Mesiti P.C.

(51) **LOC (7) Cl.** **06-01**

(57) **CLAIM**

(52) **U.S. Cl.** **D6/349**; D6/485; D6/488

The ornamental design for the seat, as shown and described.

(58) **Field of Search** D6/480–489, 495,
D6/349, 352, 353; 108/150, 153.1, 155,
156, 157.1, 157.17, 161; 248/188, 188.1,
188.8; 297/195.1, 195.11, 423.1, 423.39,
423.41, 461, 462

DESCRIPTION

(56) **References Cited**

U.S. PATENT DOCUMENTS

- D161,217 S * 12/1950 Silverman D6/483
- D237,572 S * 11/1975 Koyama D6/483
- D239,678 S * 4/1976 Blake D6/495
- D240,871 S 8/1976 Herman D6/32
- D254,994 S * 5/1980 Mioreanu et al. D6/495 X
- D286,345 S * 10/1986 Stanislawski, Jr. et al. .. D6/349

FIG. 1 is a perspective view of a seat in accordance with the new design;

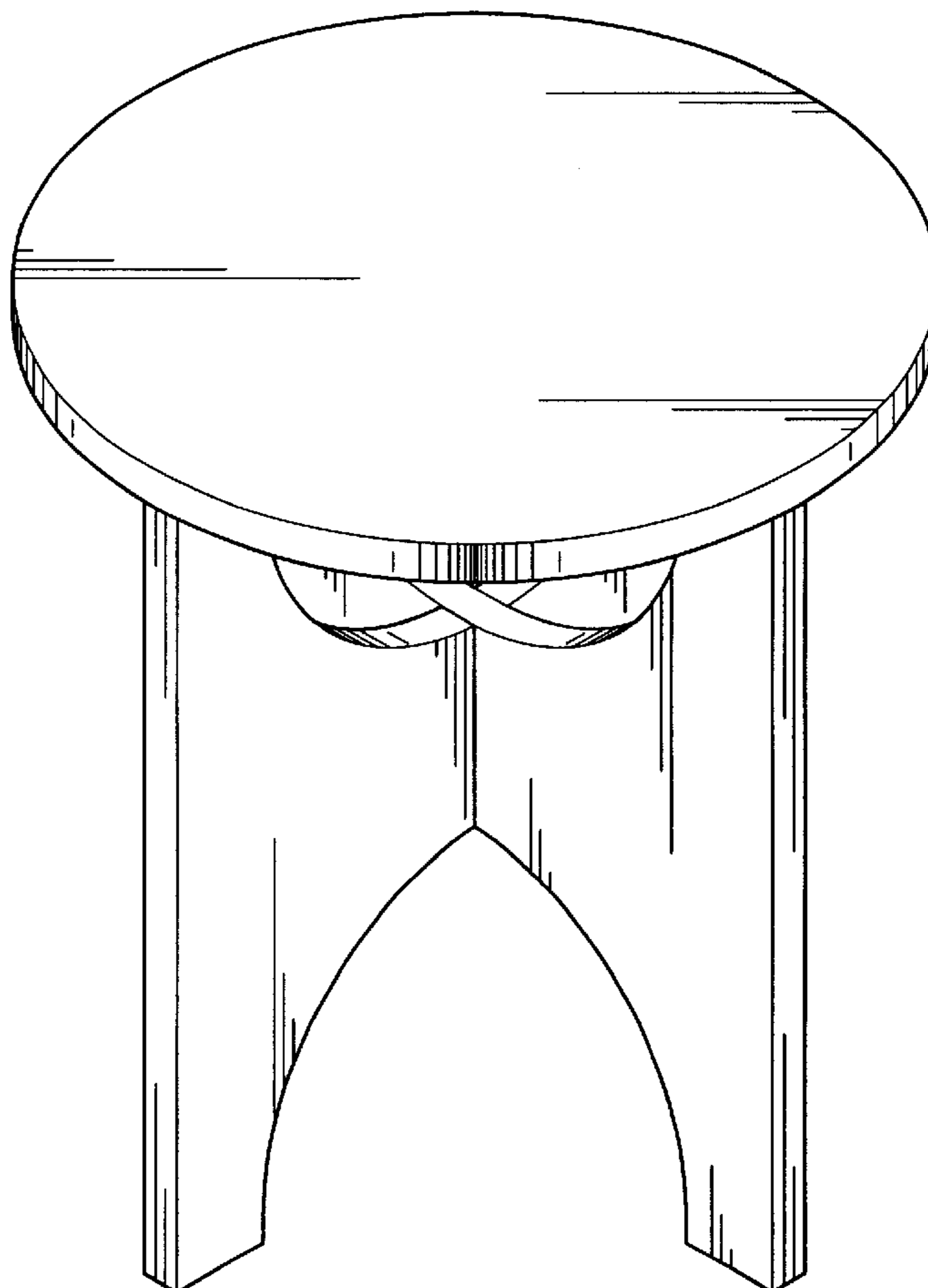
FIG. 2 is a front elevational view thereof, the rear elevational view being a mirror image thereof;

FIG. 3 is a right side elevational view thereof, the left side elevational view being a mirror image thereof;

FIG. 4 is an elevational view taken along an edge of a leg thereof; and,

FIG. 5 is a top view thereof.

1 Claim, 5 Drawing Sheets



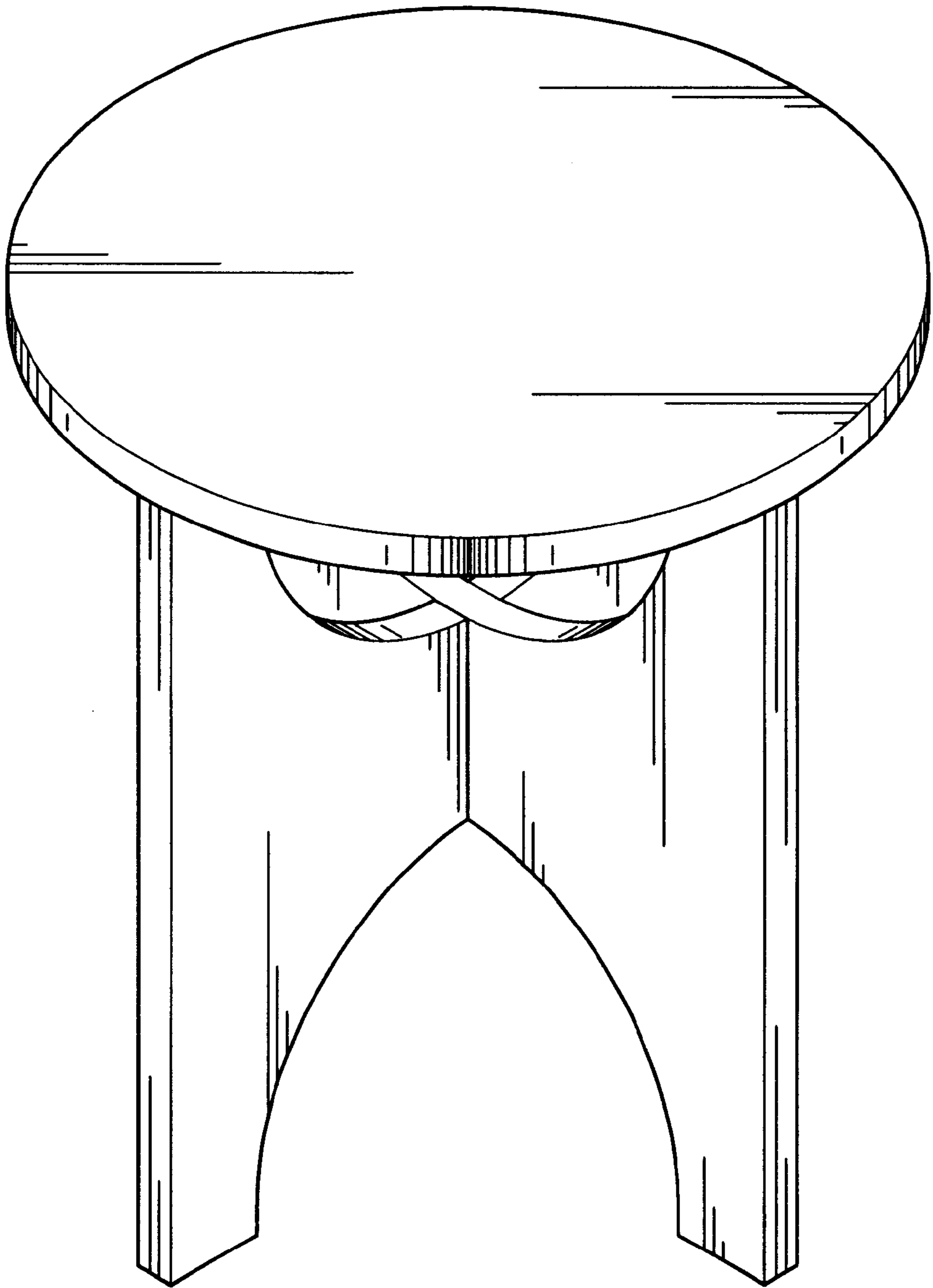


FIG. 1

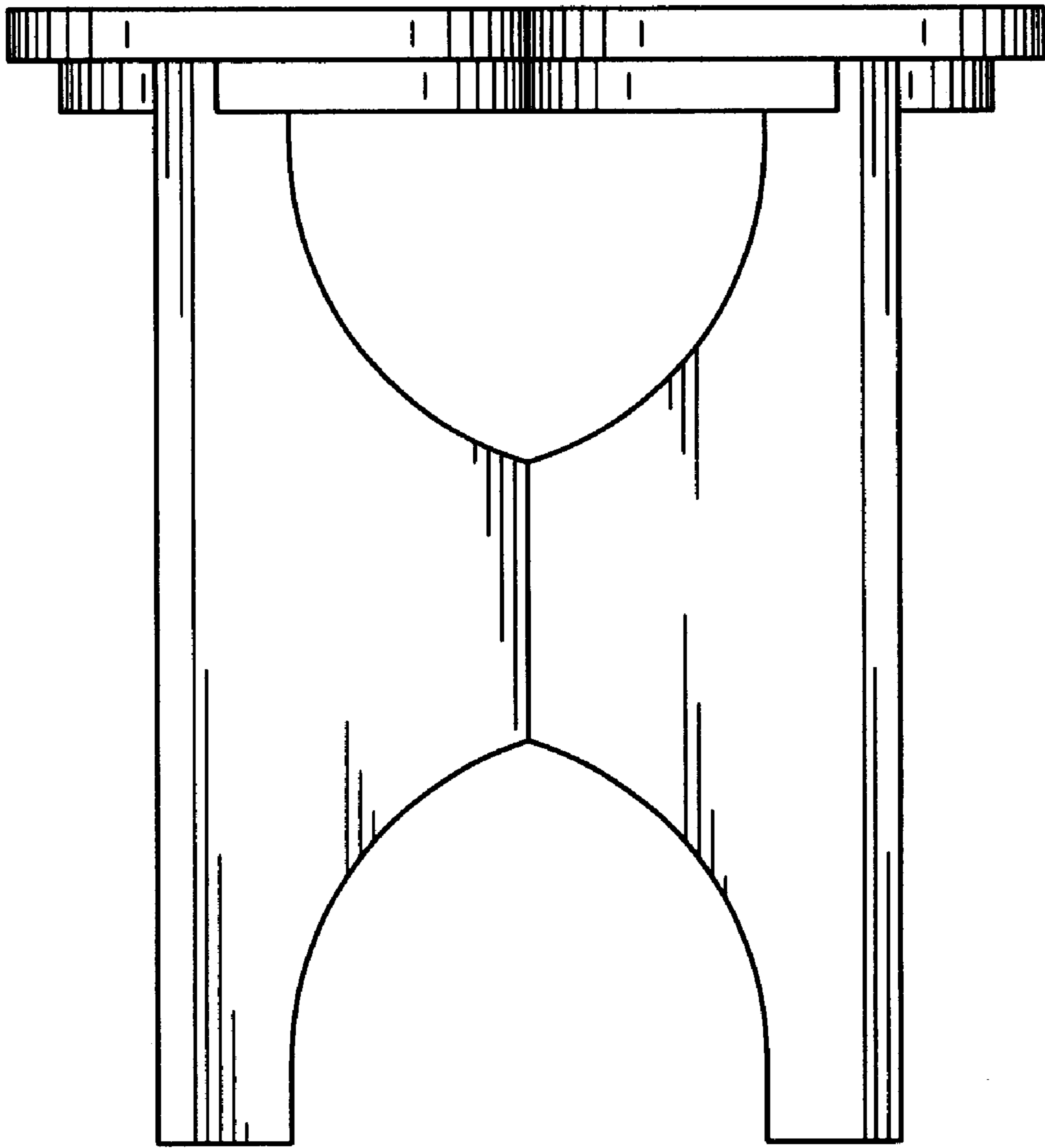


FIG. 2

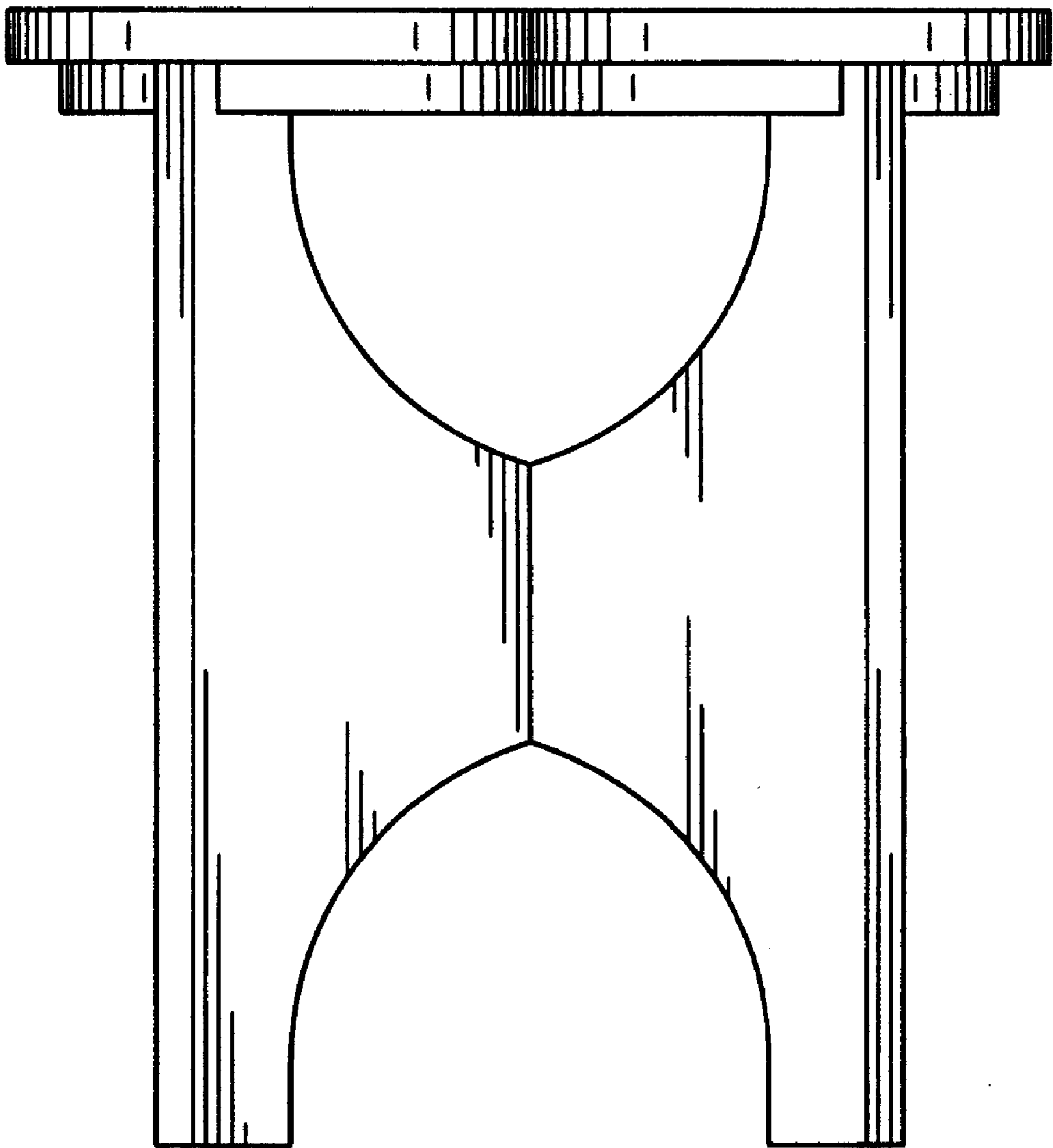


FIG. 3

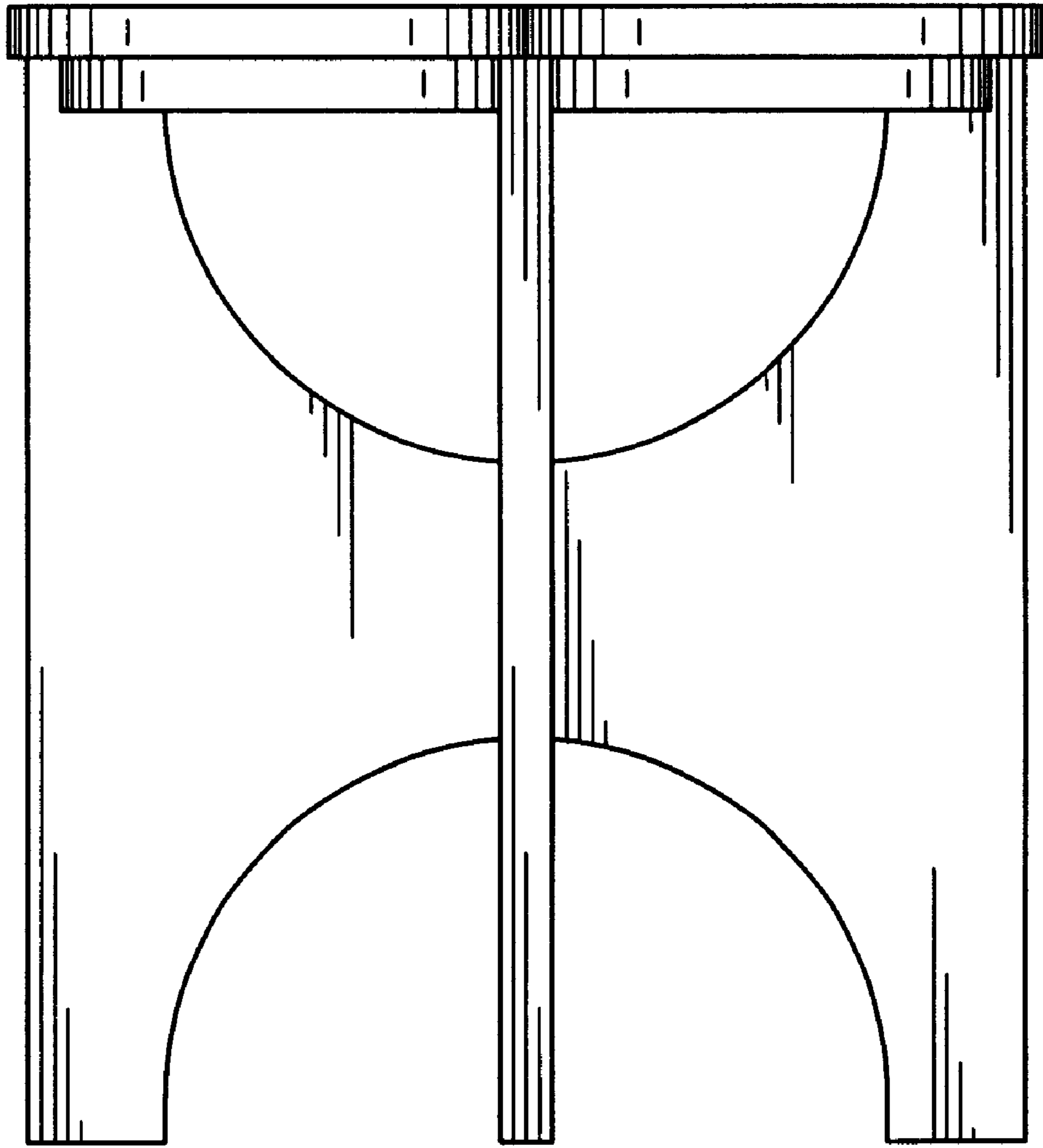


FIG. 4

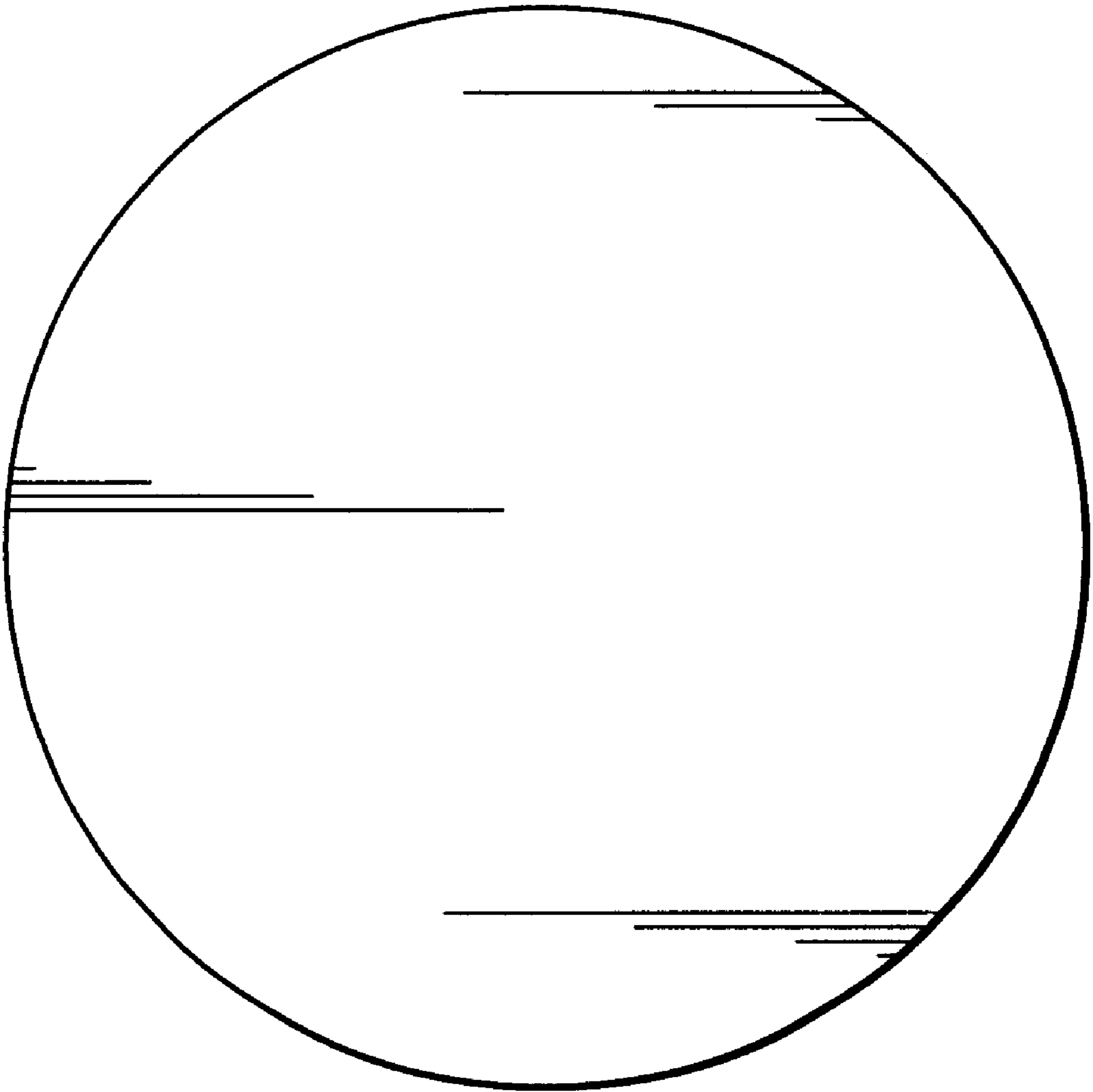


FIG. 5