



US00D480884S

(12) **United States Design Patent**  
**Kane et al.**

(10) **Patent No.:** **US D480,884 S**

(45) **Date of Patent:** **\*\* Oct. 21, 2003**

(54) **ROCKER DEVICE**

(75) Inventors: **Michael Kane**, Conesus, NY (US);  
**Robert David Piwko, Jr.**, Hamburg,  
NY (US); **John F. Rhein**, Hamburg,  
NY (US)

(73) Assignee: **Mattel, Inc.**, El Segundo, CA (US)

(\*\*) Term: **14 Years**

(21) Appl. No.: **29/165,620**

(22) Filed: **Aug. 15, 2002**

(65) **Prior Publication Data**

(65)

(51) **LOC (7) Cl.** ..... **06-01**

(52) **U.S. Cl.** ..... **D6/348**

(58) **Field of Search** ..... D6/334, 335, 344,  
D6/348, 361, 374, 375, 379, 500-502;  
297/258.1, 271.5, 271.6, 270.3, 452.18;  
D21/688

(56) **References Cited**

**U.S. PATENT DOCUMENTS**

D100,181 S	*	6/1936	Terker	.....	D6/348
D101,632 S	*	10/1936	Hoffmann	.....	D6/348
D102,046 S	*	11/1936	Wexelblatt	.....	D6/348
D151,675 S	*	11/1948	Bird	.....	D6/348
D180,031 S	*	4/1957	Pearstine	.....	D6/348
3,099,477 A	*	7/1963	O'Herron	.....	297/271.6
3,334,944 A		8/1967	Gould et al.		
3,492,047 A		1/1970	Dudouyt		
3,528,701 A		9/1970	Laughlin		

4,141,095 A	2/1979	Adachi	
4,371,206 A	2/1983	Johnson, Jr.	
4,688,850 A	8/1987	Brownlie et al.	
D311,822 S	11/1990	Meeker	
5,052,749 A	10/1991	Groenendijk	
5,178,438 A	* 1/1993	Beger	..... 297/271.6
5,322,343 A	6/1994	Parker et al.	
5,507,564 A	4/1996	Huang	
5,860,698 A	1/1999	Asenstorfer et al.	
6,341,816 B1	1/2002	Chen et al.	

\* cited by examiner

*Primary Examiner*—Doris V. Coles

*Assistant Examiner*—Mimosa De

(74) *Attorney, Agent, or Firm*—Cooley Godward LLP

(57) **CLAIM**

The ornamental design for a rocker device, as shown and described.

**DESCRIPTION**

FIG. 1 is a perspective view of a rocker device showing our new design;

FIG. 2 is a top view of the rocker device of FIG. 1;

FIG. 3 is a bottom view of the rocker device of FIG. 1;

FIG. 4 is a front view of the rocker device of FIG. 1;

FIG. 5 is a rear view of the rocker device of FIG. 1;

FIG. 6 is a right side view of the rocker device of FIG. 1; and,

FIG. 7 is a left side view of the rocker device of FIG. 1.

The broken lines in the figures merely illustrate the environment for the rocker device of the present design and therefore form no part of the claimed design.

**1 Claim, 7 Drawing Sheets**

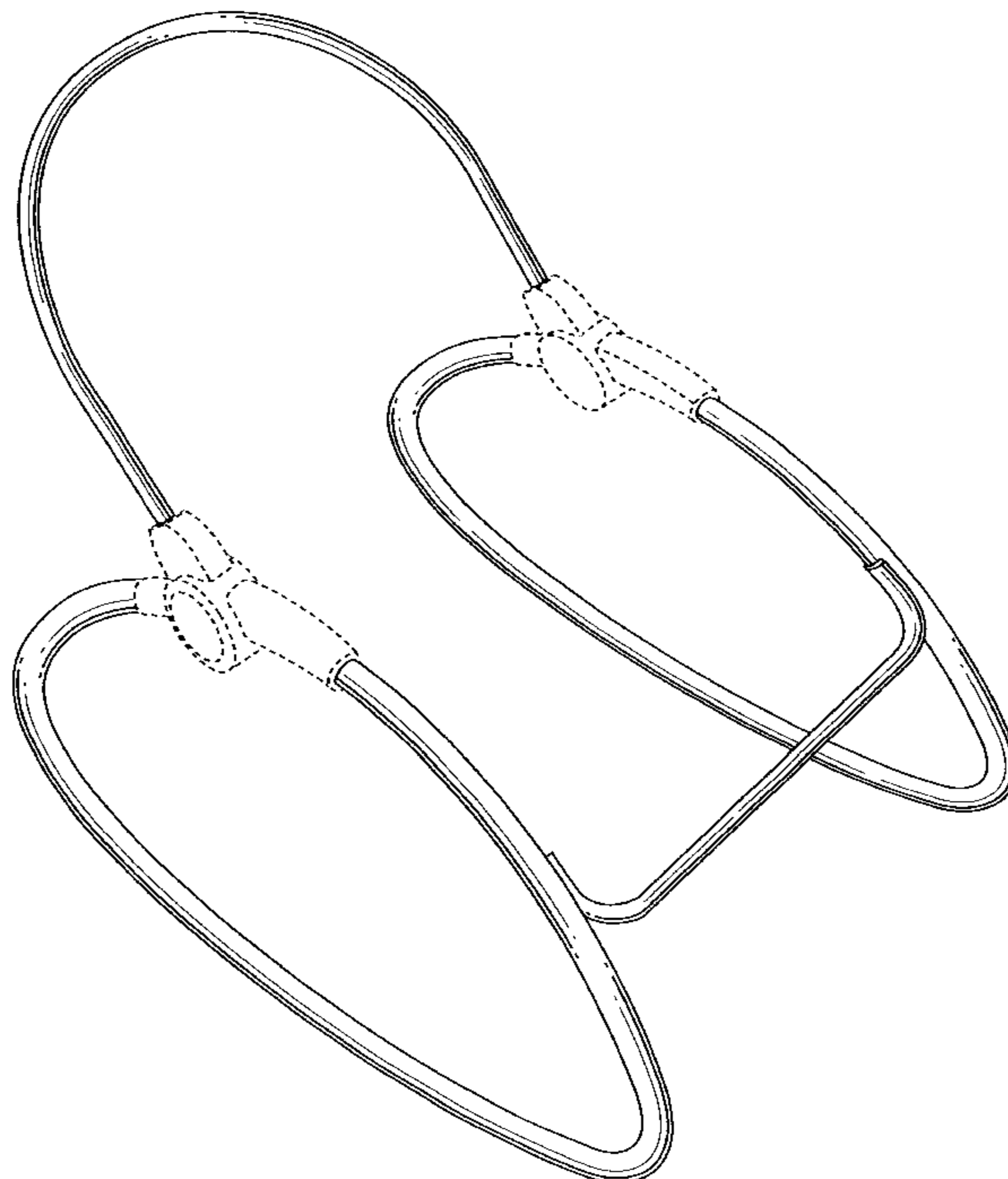
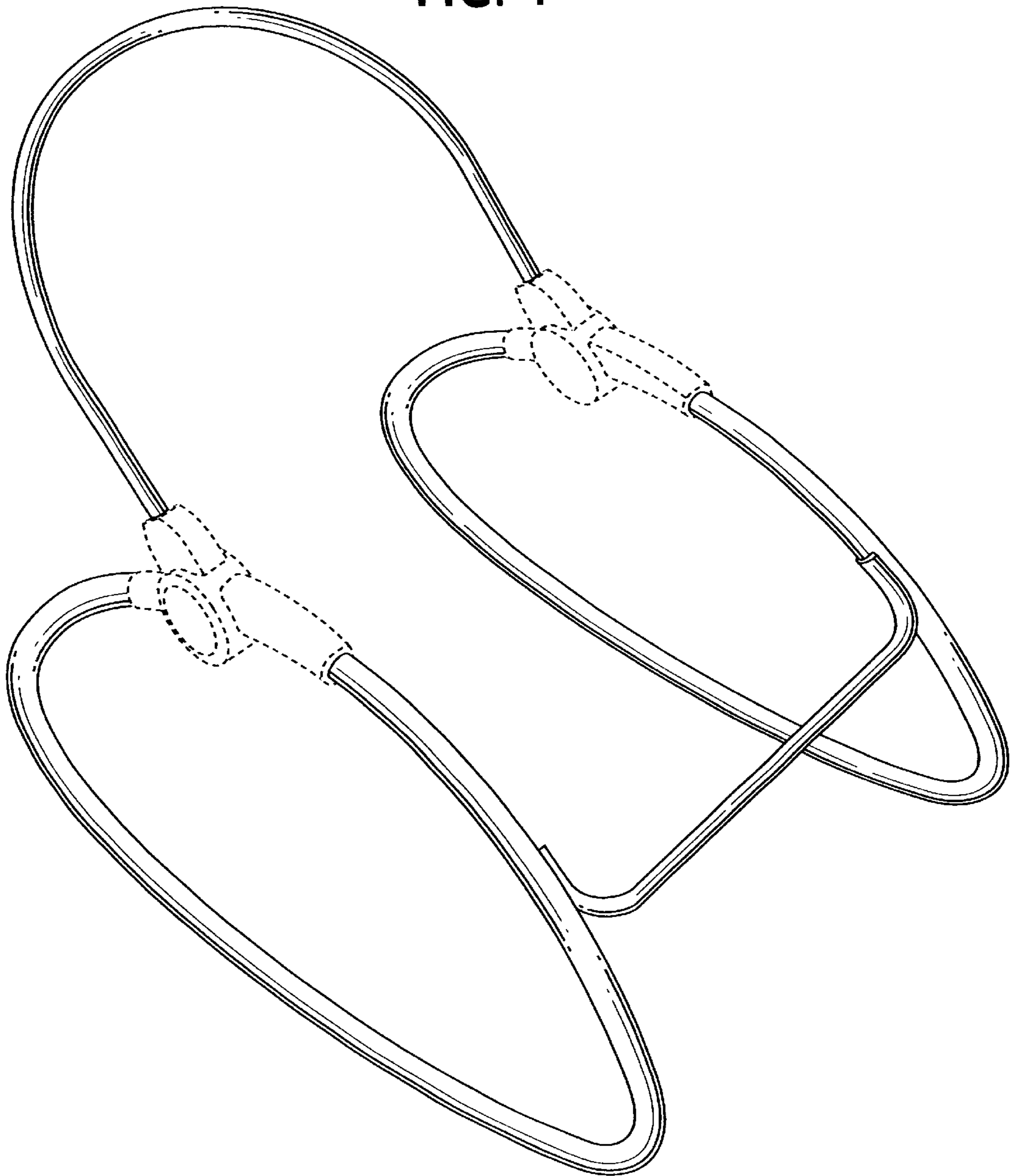
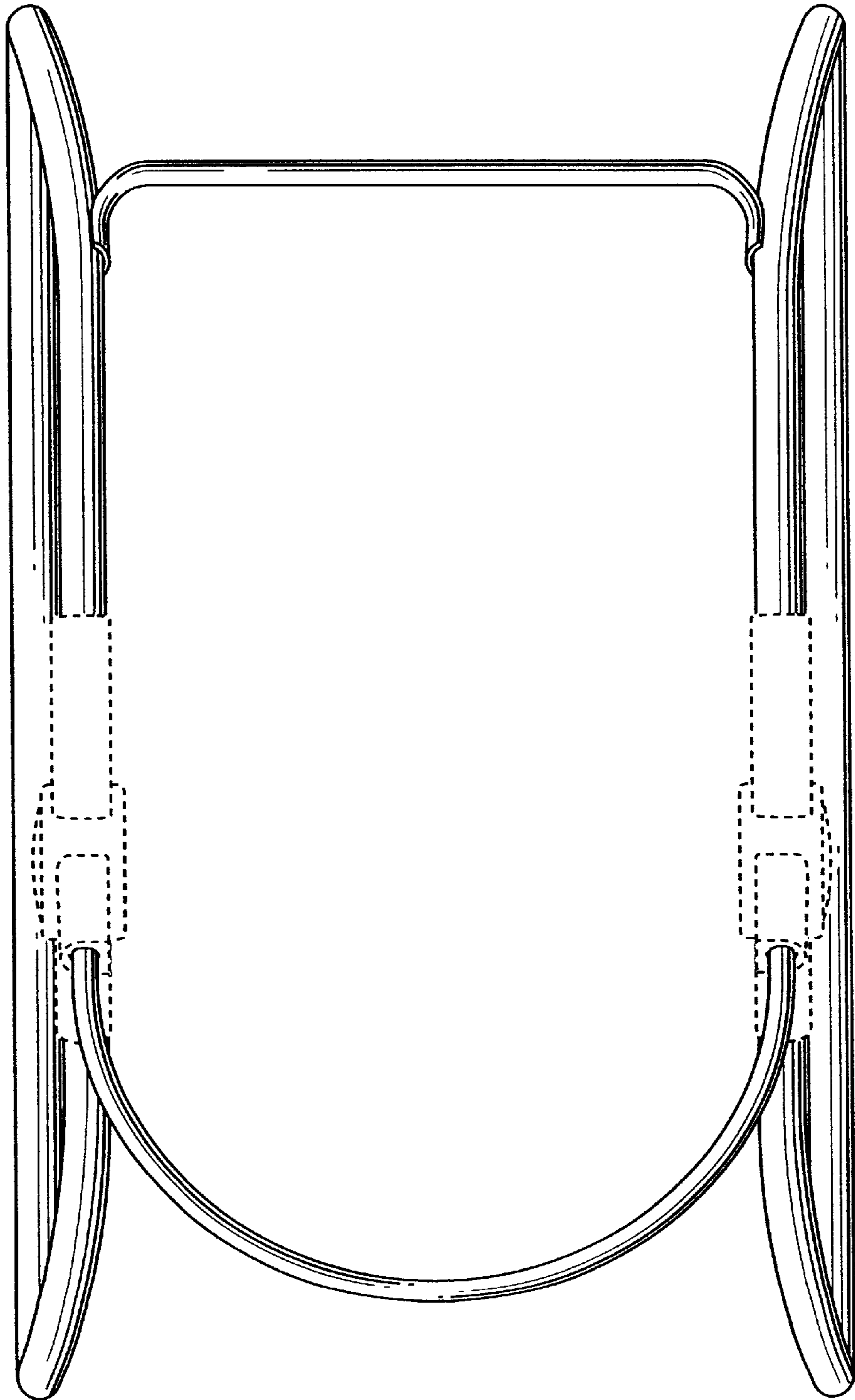


FIG. 1



**FIG. 2**



**FIG. 3**

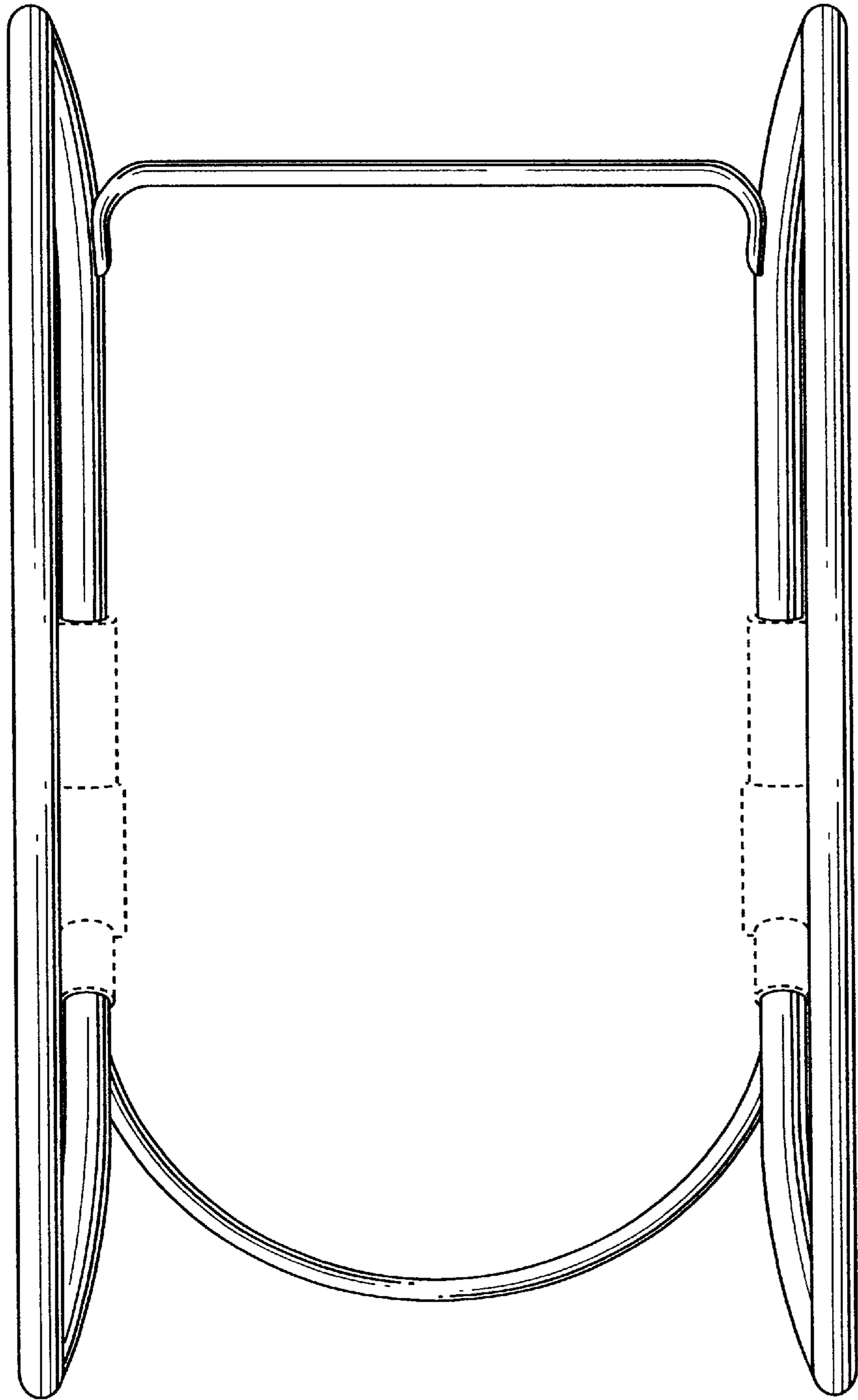
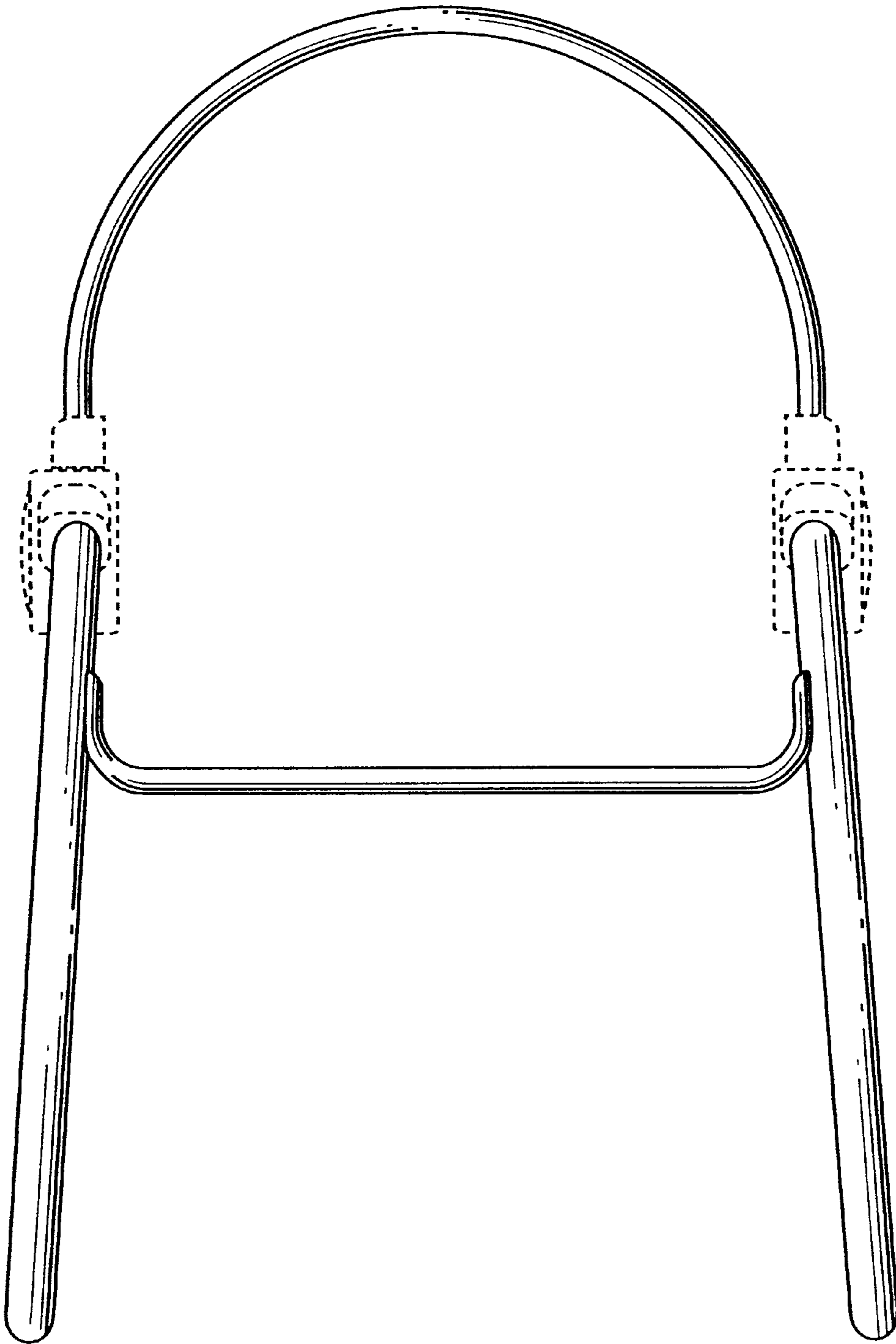
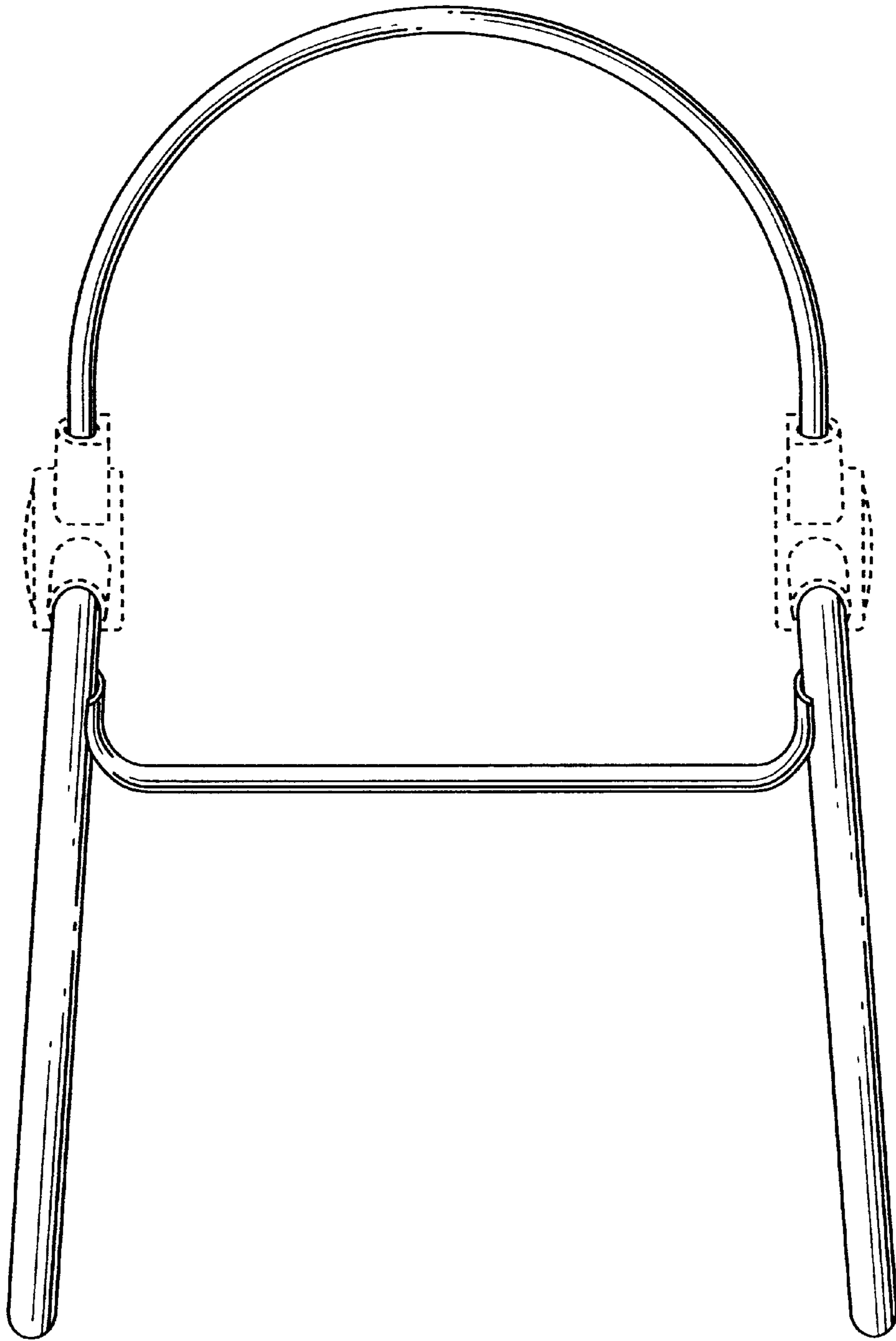


FIG. 4



**FIG. 5**



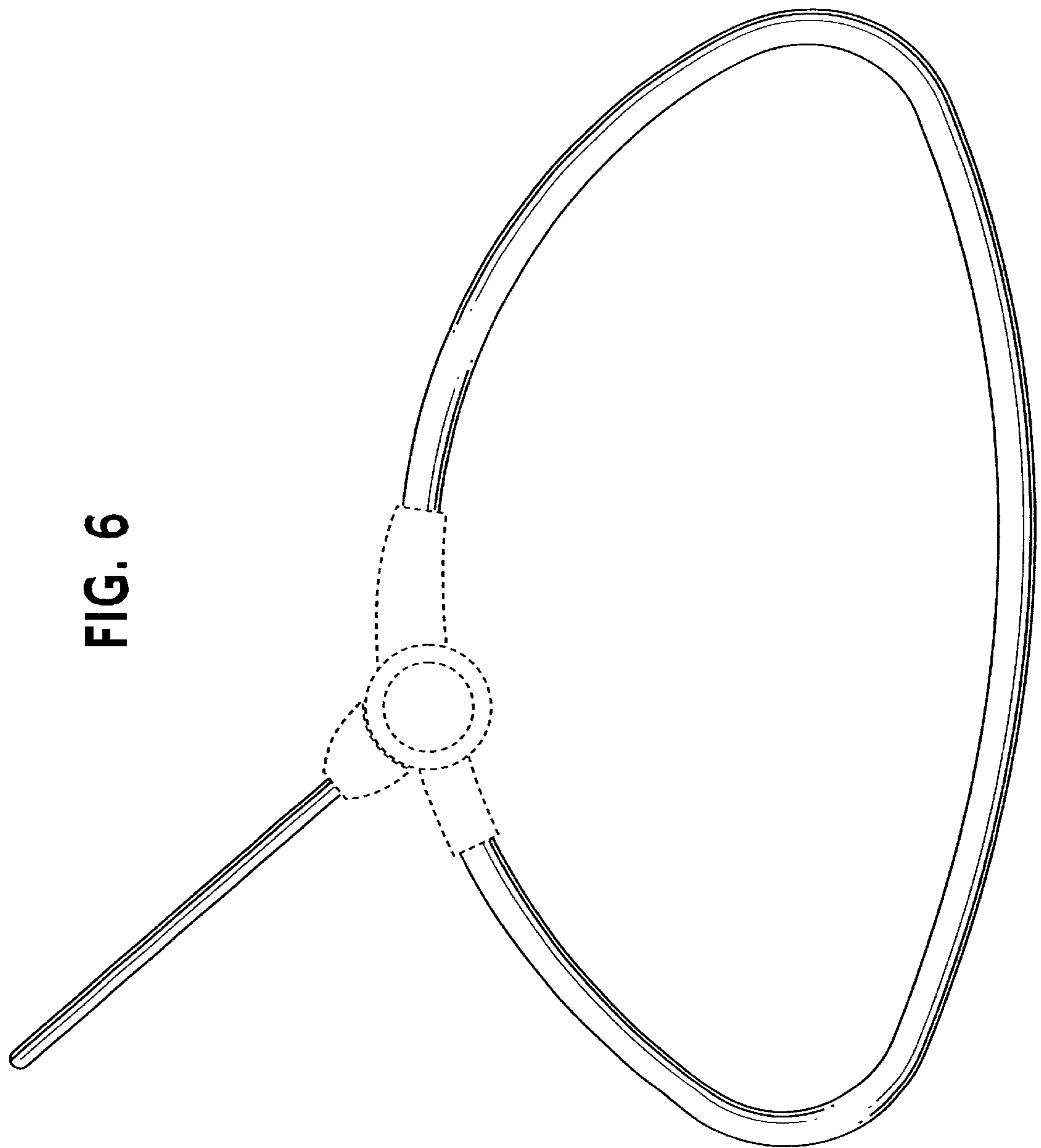


FIG. 6

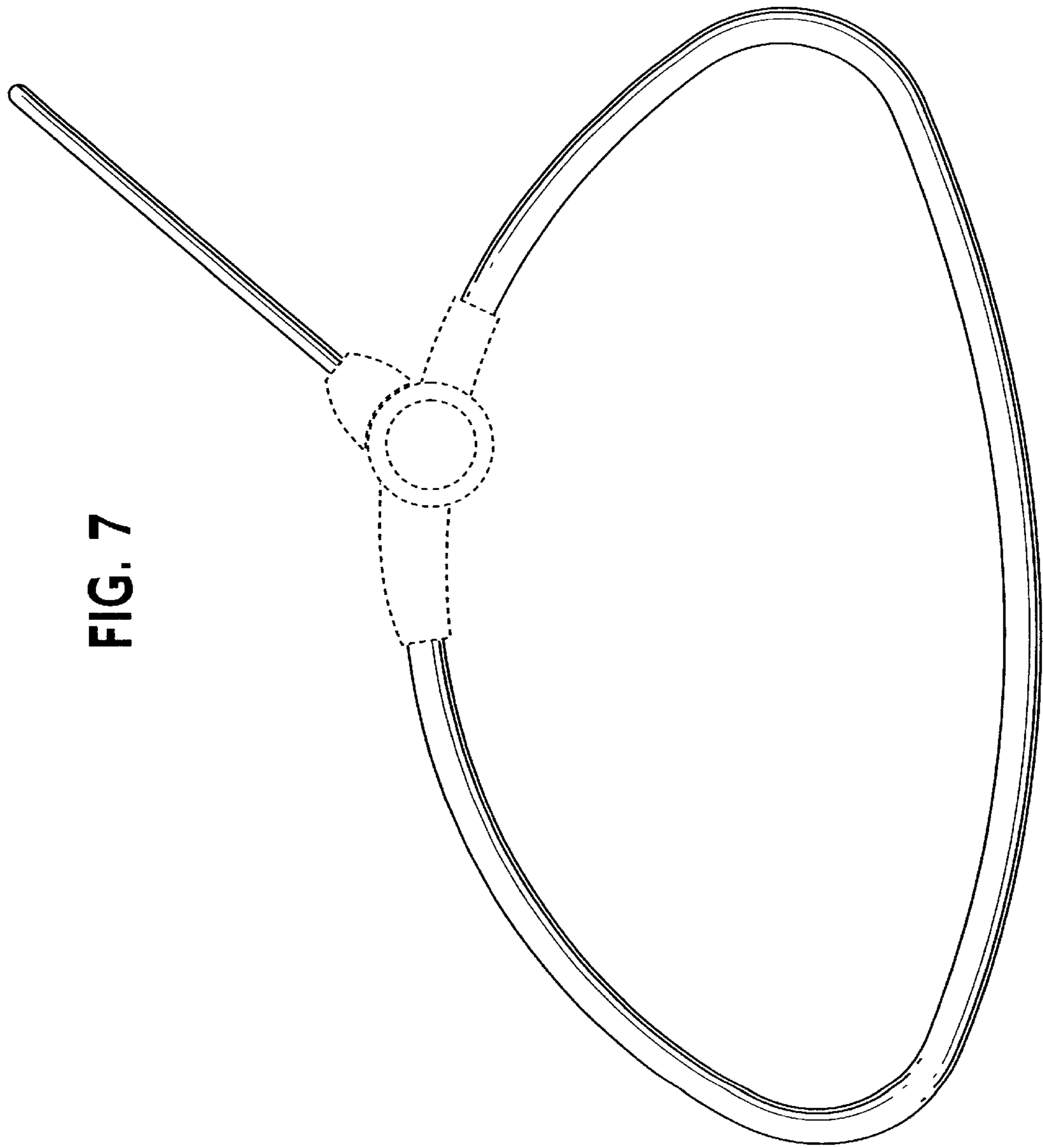


FIG. 7