



US00D480879S

(12) **United States Design Patent**
Boehm et al.

(10) **Patent No.: US D480,879 S**

(45) **Date of Patent: ** Oct. 21, 2003**

(54) **SEAL PATTERN FOR RETROREFLECTIVE TRIM**

(75) Inventors: **Jeffrey R. Boehm**, Stillwater, MN (US); **Nicole M. McMillan**, St. Paul, MN (US)

(73) Assignee: **3M Innovative Properties Company**, Saint Paul, MN (US)

(**) Term: **14 Years**

(21) Appl. No.: **29/172,341**

(22) Filed: **Dec. 9, 2002**

(51) **LOC (7) Cl. 05-06**

(52) **U.S. Cl. D5/7; D5/99**

(58) **Field of Search** D5/1, 2, 3, 7, D5/8, 11, 19, 20, 23, 25, 30, 32, 41, 45, 46, 47, 49, 50, 52, 53, 54, 55, 56, 57, 58, 59, 60, 61, 62, 63, 64, 99; D2/749, 994; D6/582, 583, 595, 596, 598, 603, 604, 605, 608, 613, 616, 617, 622; D24/124, 125; D25/142, 152; 428/17, 18, 151, 154, 156, 171, 187, 198, 199, 540, 542.2, 542.6, 904.4, 919; 5/413 AM, 709; D7/396.4, 396.5; 162/134, 231, 140; 156/209, 148

(56) **References Cited**

U.S. PATENT DOCUMENTS

- D12,296 S * 6/1881 Einstein D5/49
- D198,155 S * 5/1964 Dozier D5/7
- D200,944 S * 4/1965 Lyon D5/7
- D202,684 S * 10/1965 Rowland D5/7
- D383,312 S 9/1997 Nestegard et al.
- D397,555 S * 9/1998 Nestegard et al. D5/7

OTHER PUBLICATIONS

- Reflexite Trim—Exhibit A, prior to Dec. 9, 2001.
- Reflexite Trim—Exhibit B, prior to Dec. 9, 2001.
- Reflexite Trim—Exhibit C, prior to Dec. 9, 2001.
- Reflexite Trim—Exhibit D, prior to Dec. 9, 2001.
- Reflexite Trim—Exhibit E, prior to Dec. 9, 2001.

- Reflexite Trim—Exhibit F, prior to Dec. 9, 2001.
- Reflexite Trim—Exhibit G, prior to Dec. 9, 2001.
- Reflexite Trim—Exhibit H, prior to Dec. 9, 2001.
- Reflexite Trim—Exhibit I, prior to Dec. 9, 2001.
- Reflexite Trim—Exhibit J, prior to Dec. 9, 2001.
- Reflexite Trim—Exhibit K, prior to Dec. 9, 2001.
- Reflexite Trim—Exhibit L, prior to Dec. 9, 2001.
- Reflexite Trim—Exhibit M, prior to Dec. 9, 2002.
- Reflexite Trim—Exhibit N, prior to Dec. 9, 2002.
- Reflexite Trim—Exhibit O, prior to Dec. 9, 2001.

* cited by examiner

Primary Examiner—Doris V. Coles

Assistant Examiner—T. Chase Nelson

(74) *Attorney, Agent, or Firm*—Stephen C. Jensen

(57) **CLAIM**

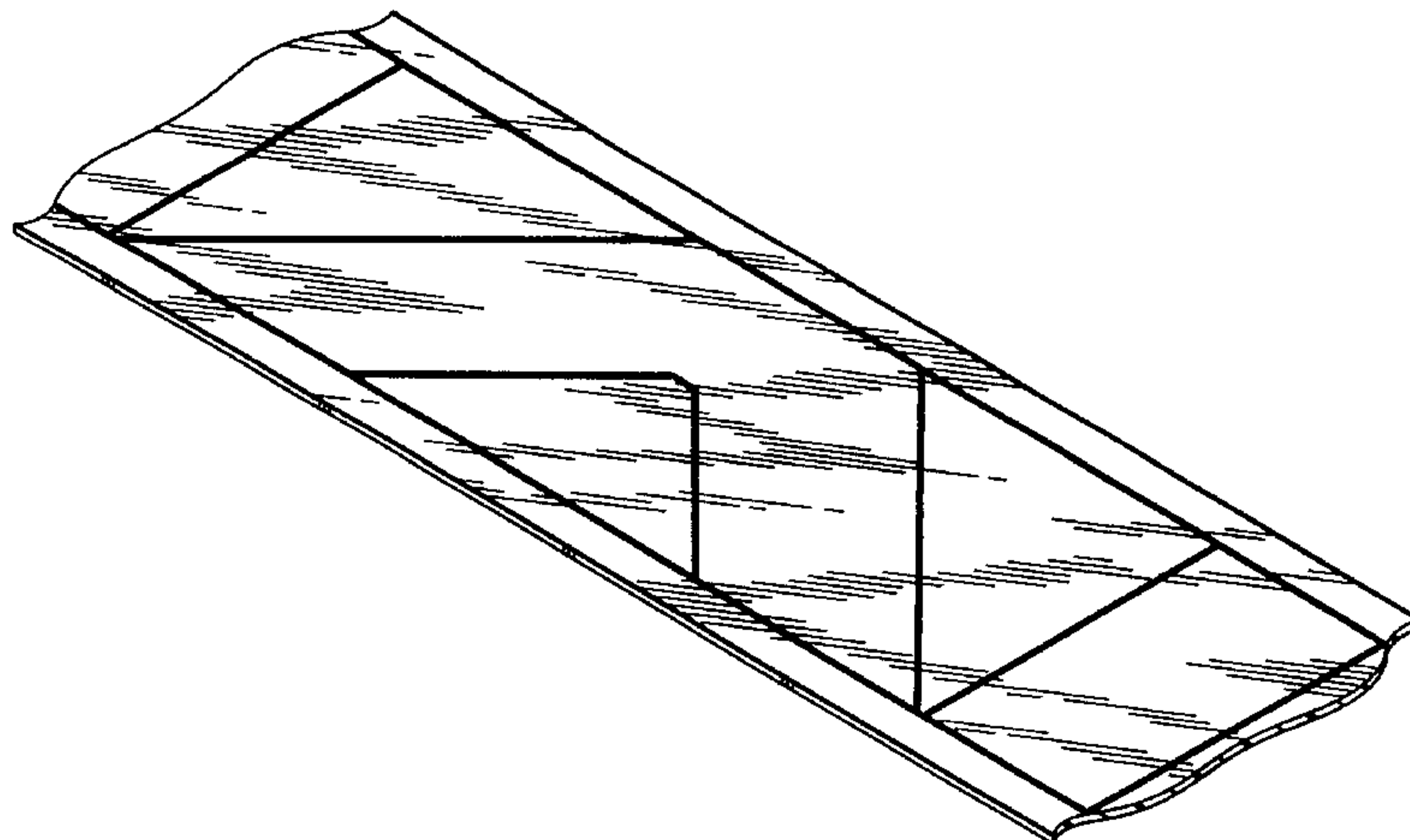
The ornamental design for a seal pattern for retroreflective trim, as shown and described.

DESCRIPTION

The present invention is a new and ornamental design for a seal pattern applied to a strip of retroreflective material, which strip of retroreflective material is referred to herein as retroreflective trim. The seal pattern can be an artifact of localized melting (e.g. by known radio frequency welding, ultrasonic welding, or hot can processes) two components of the retroreflective material together—a retroreflective sheeting and a separate seal film—to form sealed cells that protect minute retroreflective elements on the retroreflective sheeting. The breakaway lines at the end of the depicted retroreflective trim indicate that the length of the trim is not limited, it being understood that the ornamental seal pattern can repeat along such length.

FIG. 1 is a perspective view of a seal pattern for retroreflective trim, showing our new design;
FIG. 2 is a top plan view thereof;
FIG. 3 is a bottom plan view thereof;
FIG. 4 is a side view thereof; and,
FIG. 5 is an end view thereof.

1 Claim, 1 Drawing Sheet



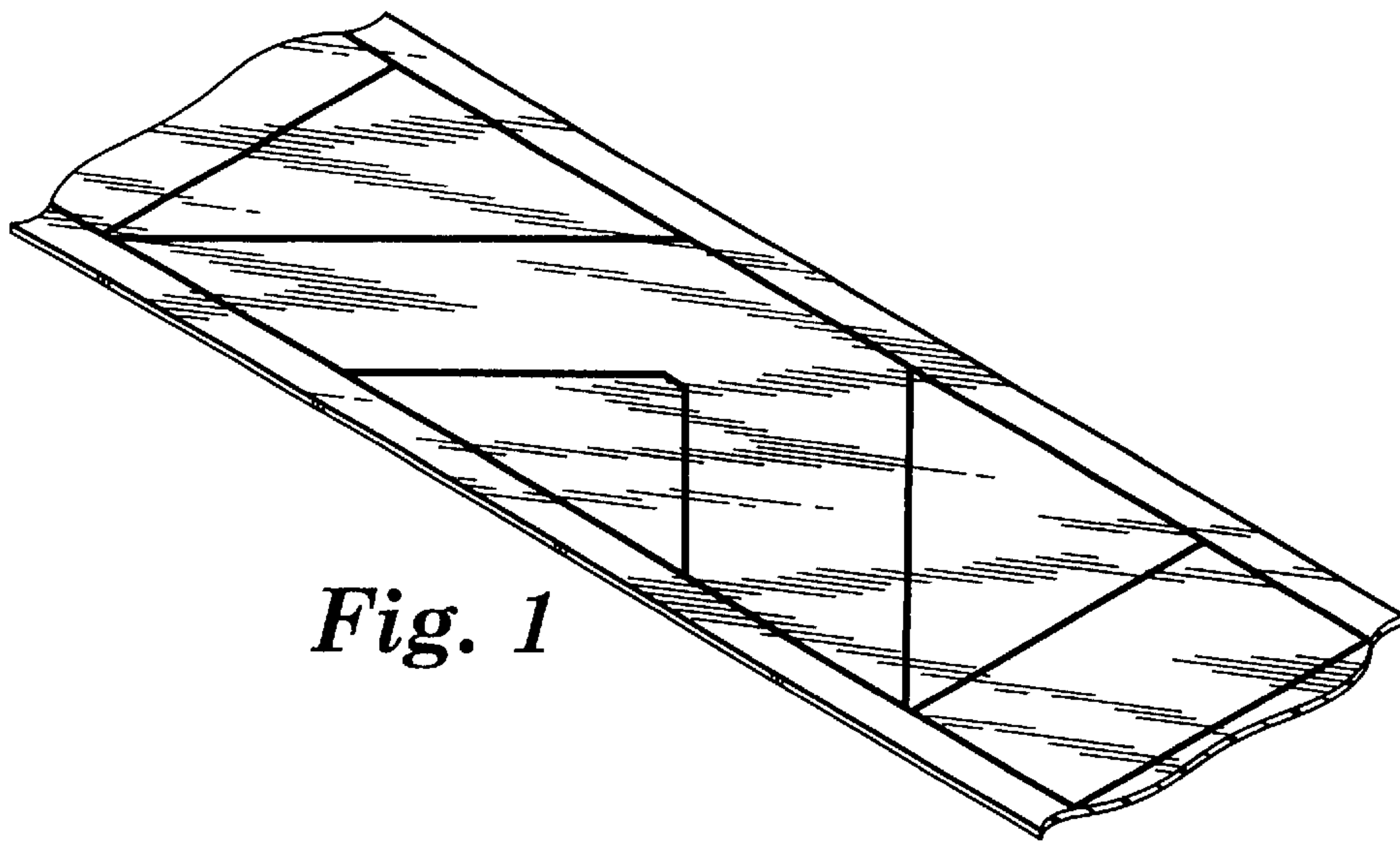


Fig. 1

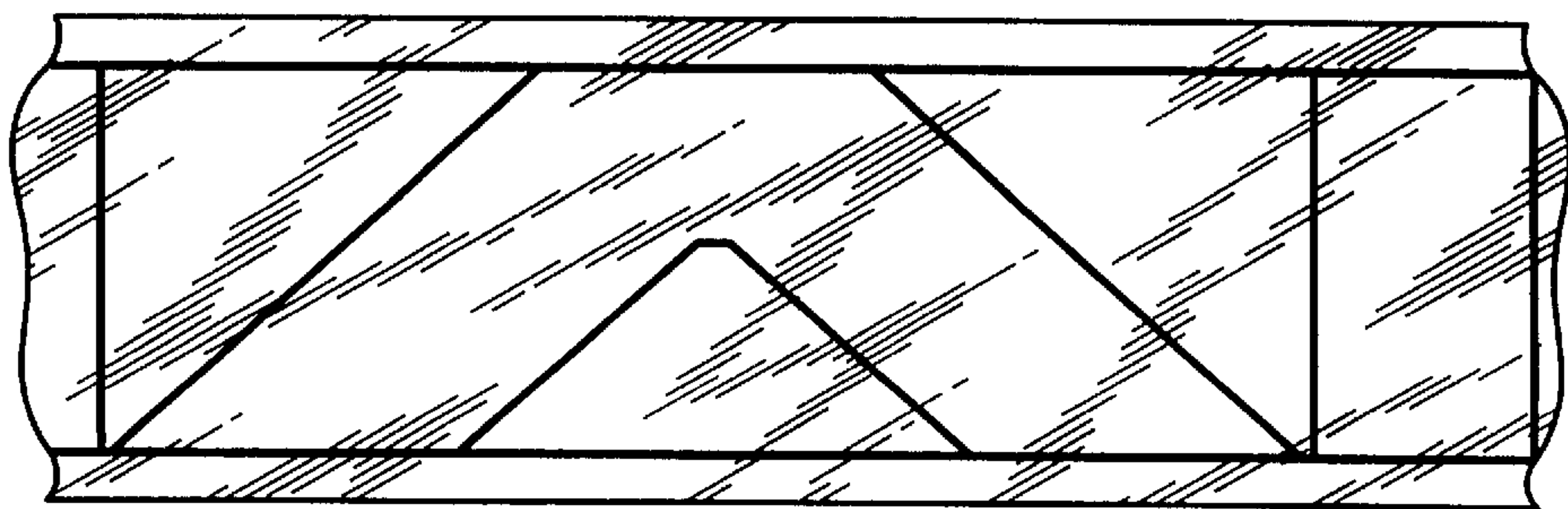


Fig. 2

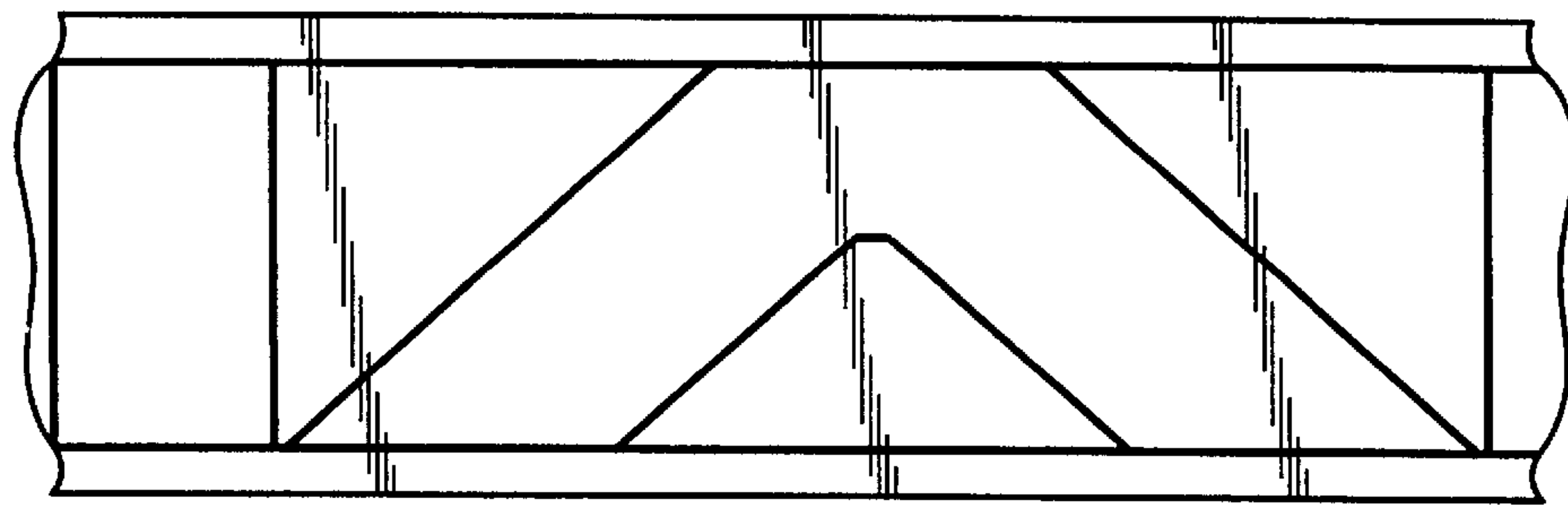


Fig. 3



Fig. 4



Fig. 5

UNITED STATES PATENT AND TRADEMARK OFFICE
CERTIFICATE OF CORRECTION

PATENT NO. : Des. 480,879 S
DATED : October 21, 2003
INVENTOR(S) : Boehm, Jeffrey R.

Page 1 of 2

It is certified that error appears in the above-identified patent and that said Letters Patent is hereby corrected as shown below:

Title page,

Item [56], **References Cited**, OTHER PUBLICATIONS, “Reflexite Trim—Exhibit A” reference, delete the word “Reflexite” and insert in place thereof -- Reflective --.

“Reflexite Trim—Exhibit B” reference, delete the word “Reflexite” and insert in place thereof -- Reflective --.

“Reflexite Trim—Exhibit C” reference, delete the word “Reflexite” and insert in place thereof -- Reflective --.

“Reflexite Trim—Exhibit D” reference, delete the word “Reflexite” and insert in place thereof -- Reflective --.

“Reflexite Trim—Exhibit E” reference, delete the word “Reflexite” and insert in place thereof -- Reflective --.

“Reflexite Trim—Exhibit F” reference, delete the word “Reflexite” and insert in place thereof -- Reflective --.

“Reflexite Trim—Exhibit G” reference, delete the word “Reflexite” and insert in place thereof -- Reflective --.

“Reflexite Trim—Exhibit H” reference, delete the word “Reflexite” and insert in place thereof --Reflective--.

“Reflexite Trim—Exhibit I” reference, delete the word “Reflexite” and insert in place thereof -- Reflective --.

“Reflexite Trim—Exhibit J” reference, delete the word “Reflexite” and insert in place thereof -- Reflective --.

“Reflexite Trim—Exhibit K” reference, delete the word “Reflexite” and insert in place thereof -- Reflective --.

“Reflexite Trim—Exhibit L” reference, delete the word “Reflexite” and insert in place thereof -- Reflective --.

“Reflexite Trim—Exhibit M” reference, delete the word “Reflexite” and insert in place thereof -- Reflective --.

“Reflexite Trim—Exhibit N” reference, delete the word “Reflexite” and insert in place thereof -- Reflective --.

UNITED STATES PATENT AND TRADEMARK OFFICE
CERTIFICATE OF CORRECTION

PATENT NO. : Des. 480,879 S
DATED : October 21, 2003
INVENTOR(S) : Boehm, Jeffrey R.

Page 2 of 2

It is certified that error appears in the above-identified patent and that said Letters Patent is hereby corrected as shown below:

Title page (cont'd),

“Reflexite Trim—Exhibit O” reference, delete the word “Reflexite” and insert in place thereof -- Reflective --.

Signed and Sealed this

Twenty-fourth Day of August, 2004

A handwritten signature in black ink that reads "Jon W. Dudas". The signature is written in a cursive style with a large, stylized initial "J".

JON W. DUDAS
Director of the United States Patent and Trademark Office