



US00D480872S

(12) **United States Design Patent**
Welsh et al.

(10) **Patent No.: US D480,872 S**
(45) **Date of Patent: ** Oct. 21, 2003**

(54) **STORAGE CONTAINER**
(75) Inventors: **Thomas Welsh**, Aurora, IL (US);
Michael C. Thuma, LaGrange, IL
(US); **Laura Morris**, Willow Springs,
IL (US)
(73) Assignee: **Home Products International, Inc.**,
Chicago, IL (US)
(**) Term: **14 Years**

D395,952 S * 7/1998 Buczwinski et al. D3/294
D398,151 S 9/1998 Ahern, Jr. D3/304
D408,631 S * 4/1999 Dickinson et al. D3/302
5,904,269 A 5/1999 Wolff 220/756
5,906,291 A 5/1999 Mann et al. 220/756
D421,901 S * 3/2000 Hill D9/423
6,047,853 A 4/2000 Frankenberg 220/844
D427,769 S * 7/2000 Zimmerman D3/302
D437,686 S * 2/2001 Balzar et al. D3/302
D439,406 S * 3/2001 Zimmerman D3/273
6,318,586 B1 11/2001 Frankenberg 220/826
D452,374 S * 12/2001 Kim D3/302

(21) Appl. No.: **29/172,808**
(22) Filed: **Dec. 19, 2002**
(51) **LOC (7) Cl. 03-01**
(52) **U.S. Cl. D3/302; D3/273**
(58) **Field of Search D3/272, 273, 294,**
D3/302; D9/423, 424, 425; 206/508, 513,
515, 518; 220/326, 296, 350

* cited by examiner
Primary Examiner—Philip S. Hyder
(74) *Attorney, Agent, or Firm*—Wood, Phillips, Katz, Clark
& Mortimer

(57) **CLAIM**
The ornamental design for a storage container, substantially
as shown and described.

(56) **References Cited**
U.S. PATENT DOCUMENTS
5,071,008 A 12/1991 Hradisky 206/507
5,123,564 A 6/1992 Hobson 220/528
5,190,156 A 3/1993 Conaway et al. 206/509
5,407,089 A 4/1995 Bird et al. 220/212.1
D370,345 S 6/1996 Wolff D3/312
D378,552 S * 3/1997 Lippisch D3/273
D379,122 S 5/1997 Wolff D3/312
D381,512 S * 7/1997 Green D3/294
5,718,350 A 2/1998 Williams 220/326
D394,550 S * 5/1998 Tanji D3/273

DESCRIPTION
FIG. 1 is a perspective view of a storage container showing
our new design;
FIG. 2 is a top plan view thereof;
FIG. 3 is a bottom plan view thereof;
FIG. 4 is a front elevational view thereof, the rear elevational
view being the same; and,
FIG. 5 is a right side elevational view thereof, the left side
elevational view being the same.

1 Claim, 3 Drawing Sheets

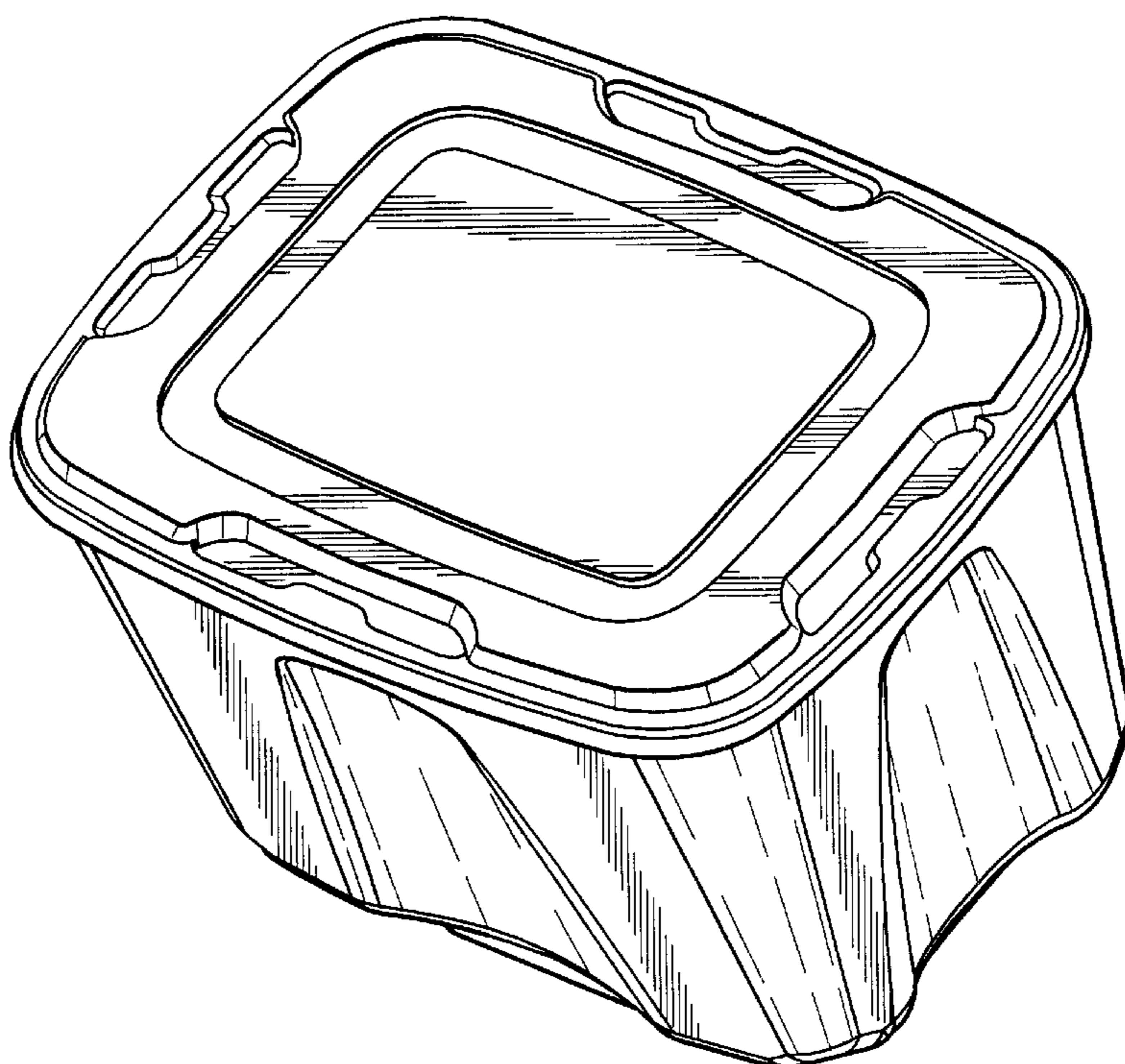


Fig. 1

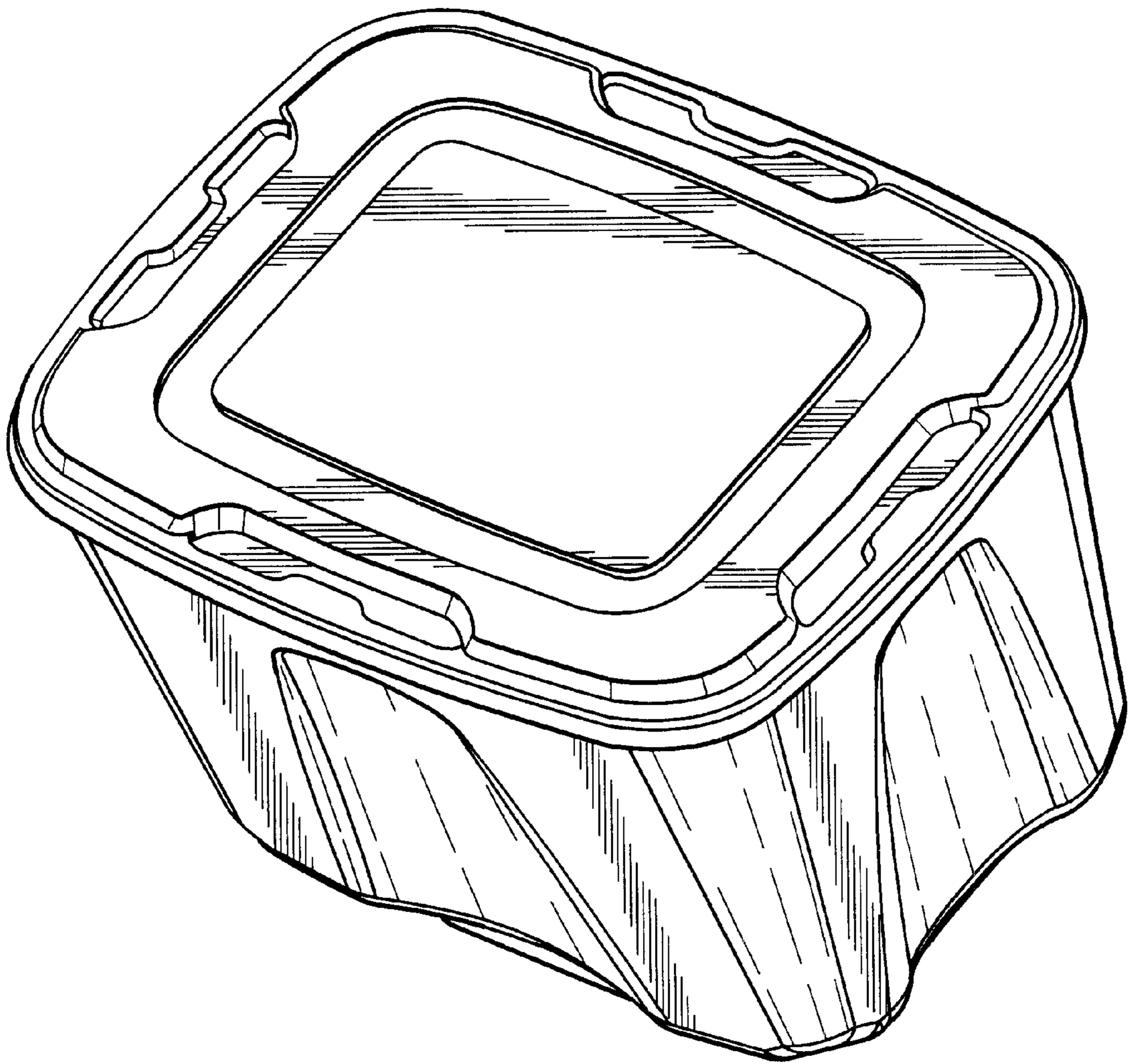


Fig. 2

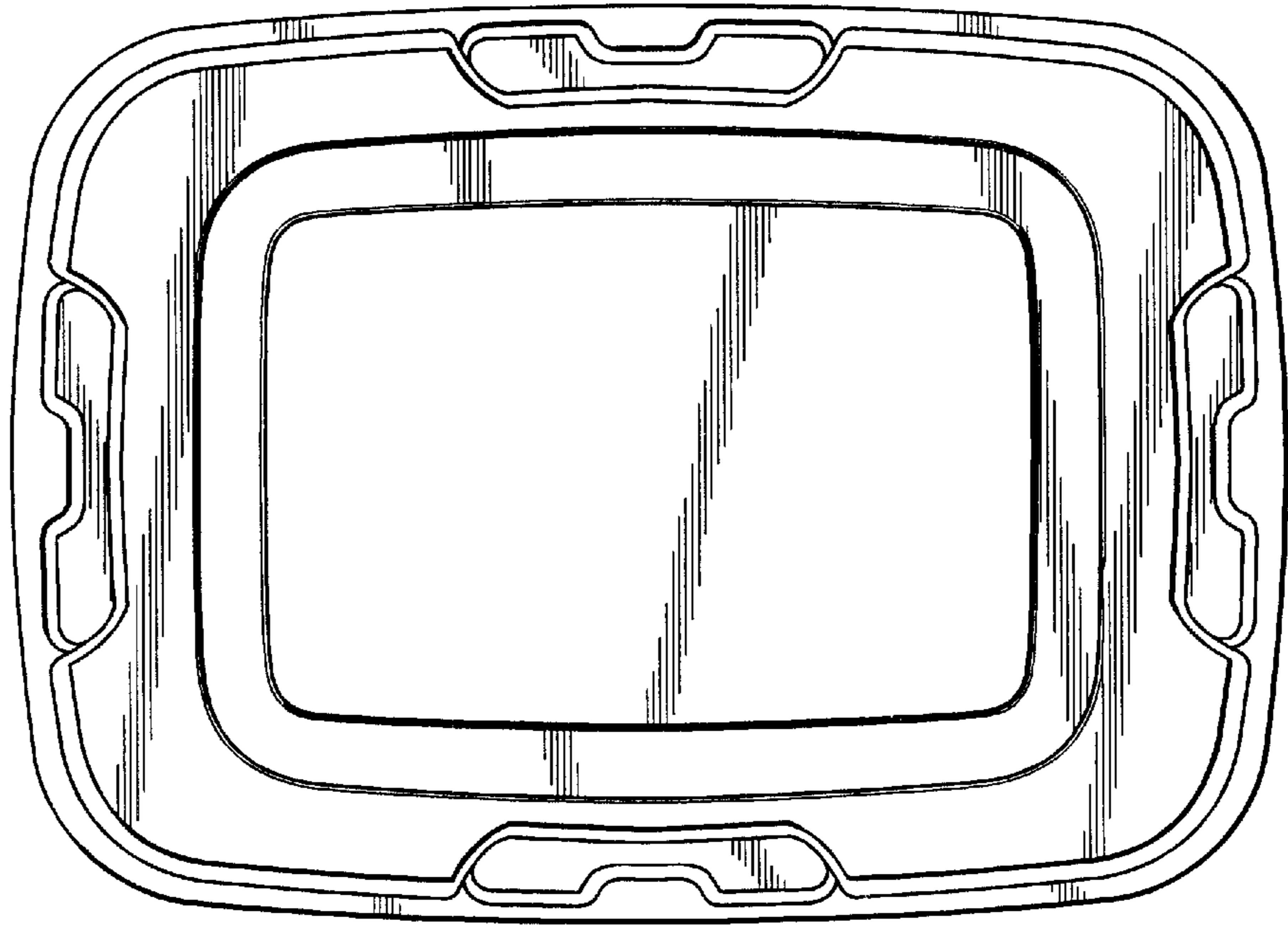


Fig. 3

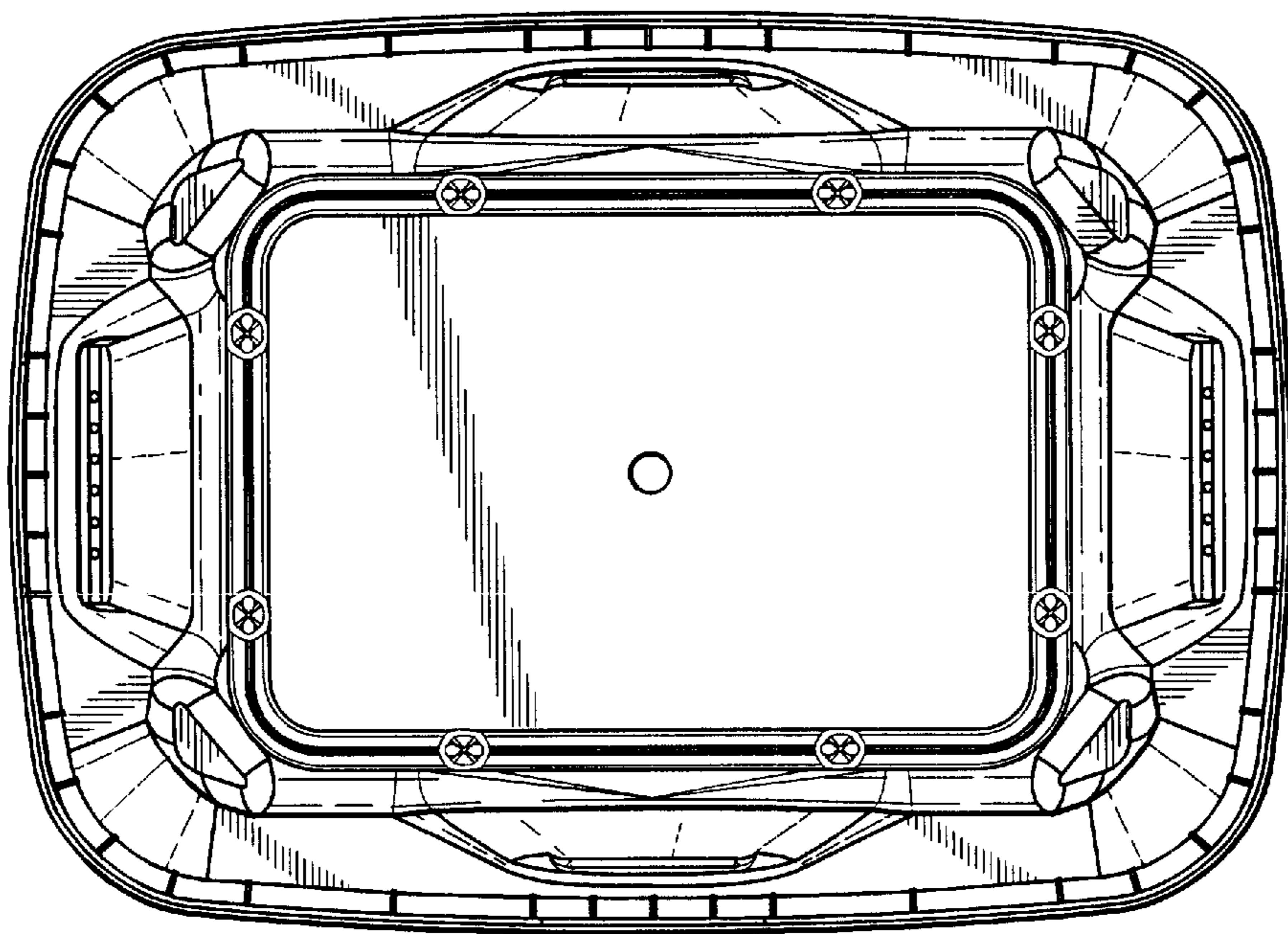


Fig. 4

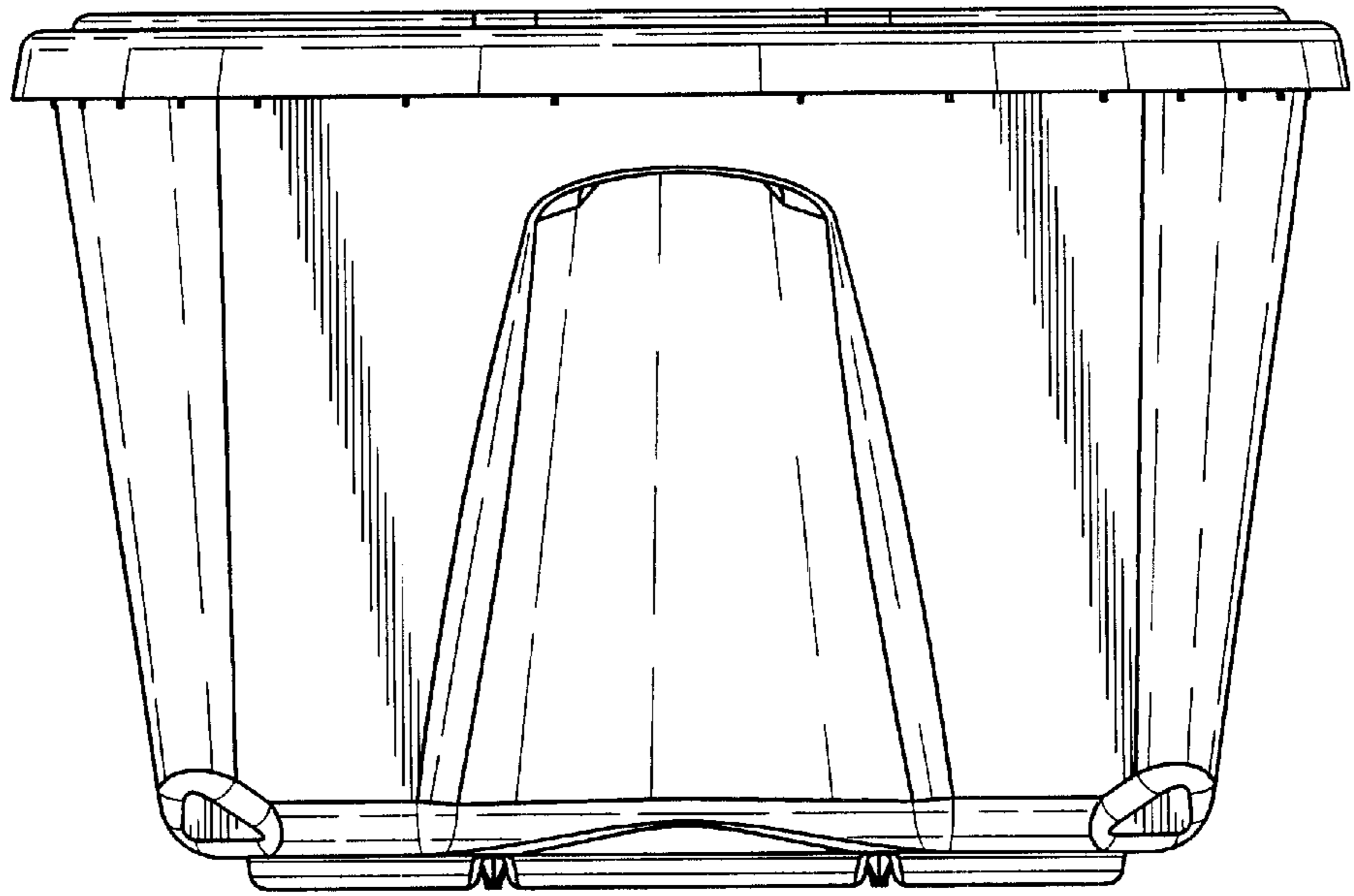


Fig. 5

