



US00D480868S

(12) **United States Design Patent**
Fulbright

(10) **Patent No.:** **US D480,868 S**

(45) **Date of Patent:** **** Oct. 21, 2003**

(54) **TOOL BELT DEVICE**

D436,243 S * 1/2001 Hoy D2/864

(76) Inventor: **Eddie J Fulbright**, 15 Timberview Dr.,
Arden, NC (US) 28704

* cited by examiner

Primary Examiner—Catherine R. Oliver

(**) Term: **14 Years**

(57) **CLAIM**

(21) Appl. No.: **29/166,387**

The ornamental design for a tool belt device, as shown and described.

(22) Filed: **Aug. 27, 2002**

DESCRIPTION

Related U.S. Application Data

(63) Continuation-in-part of application No. 09/663,124, filed on
Sep. 15, 2000.

(51) **LOC (7) Cl.** **03-01**

(52) **U.S. Cl.** **D3/228**

(58) **Field of Search** D2/864, 860, 861,
D2/863; D3/226, 215, 228, 224; 2/48, 51,
52; 224/255, 583, 682, 904

FIG. 1 is a top, front, left side perspective view of the tool belt device of the present invention with a securing member shown in broken lines;

FIG. 2 is a front view of the tool belt device of FIG. 1 with the securing member shown in broken lines and various wall covering tools shown in broken lines in the tool belt device;

FIG. 3 is a rear view of the tool belt device of FIG. 1;

FIG. 4 is a top view of the tool belt device of FIG. 1;

FIG. 5 is a bottom view of the tool belt device of FIG. 1; and,

FIG. 6 is a right side view of the tool belt device of FIG. 1. The broken lines shown on the front and rear of the claimed article is representative of top stitching.

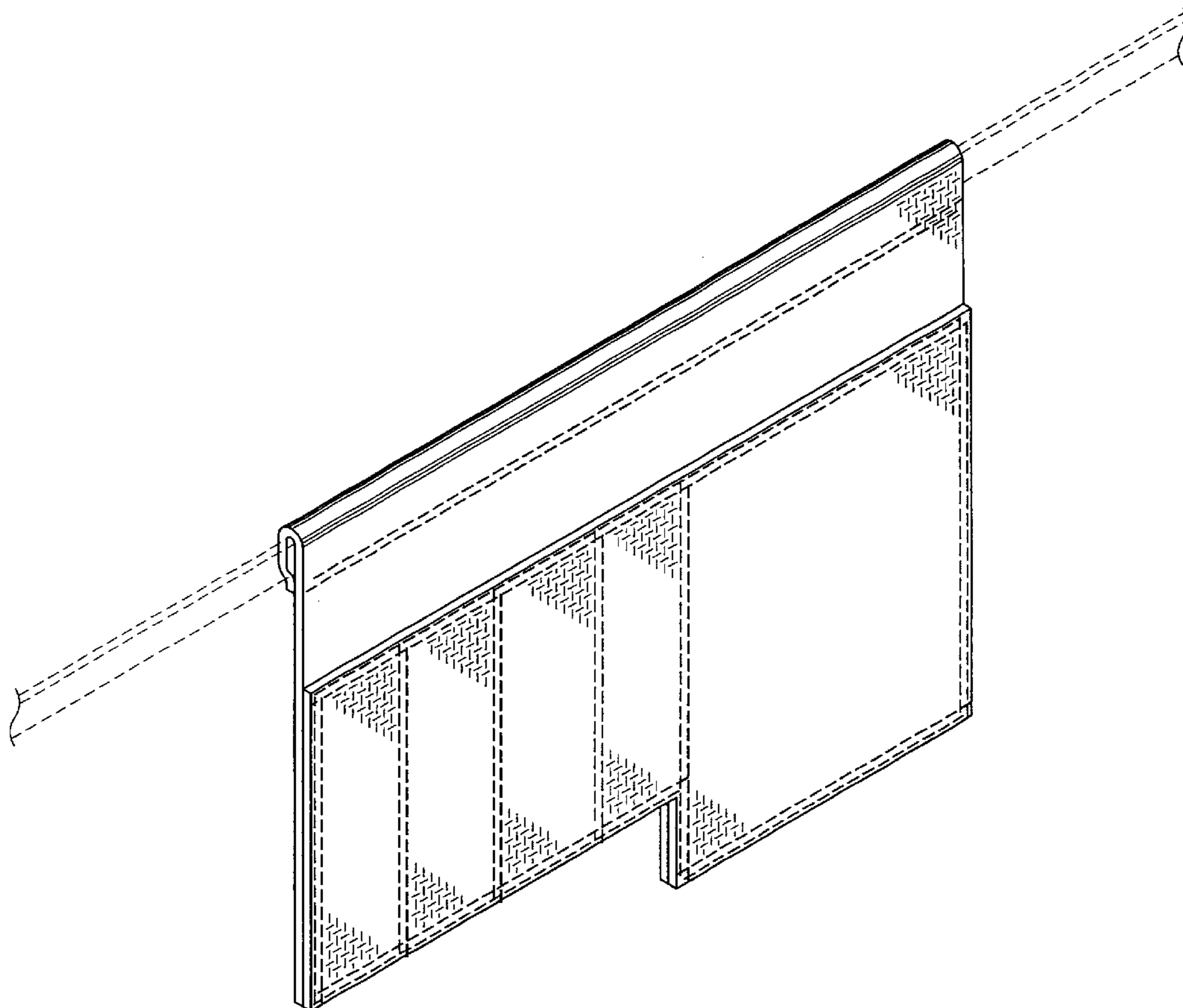
The environmental matter shown in broken lines in the figures does not form a part of the claimed invention.

(56) **References Cited**

U.S. PATENT DOCUMENTS

- D305,827 S * 2/1990 Flowers D2/860
- D323,238 S * 1/1992 Lee D2/860
- D358,473 S * 5/1995 Taylor D2/864
- 5,943,696 A * 8/1999 Walker 2/51

1 Claim, 6 Drawing Sheets



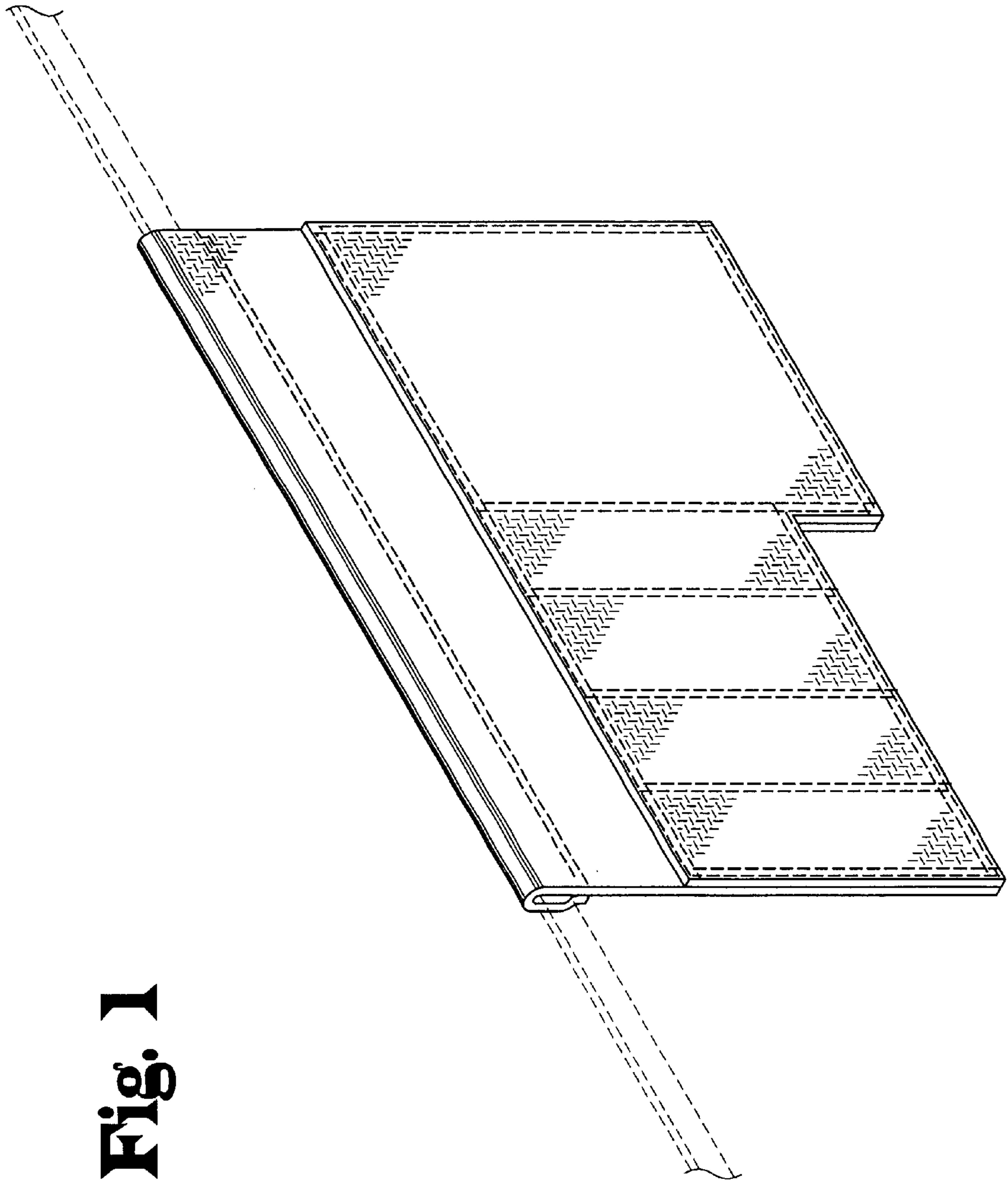


Fig. 1

Fig. 2

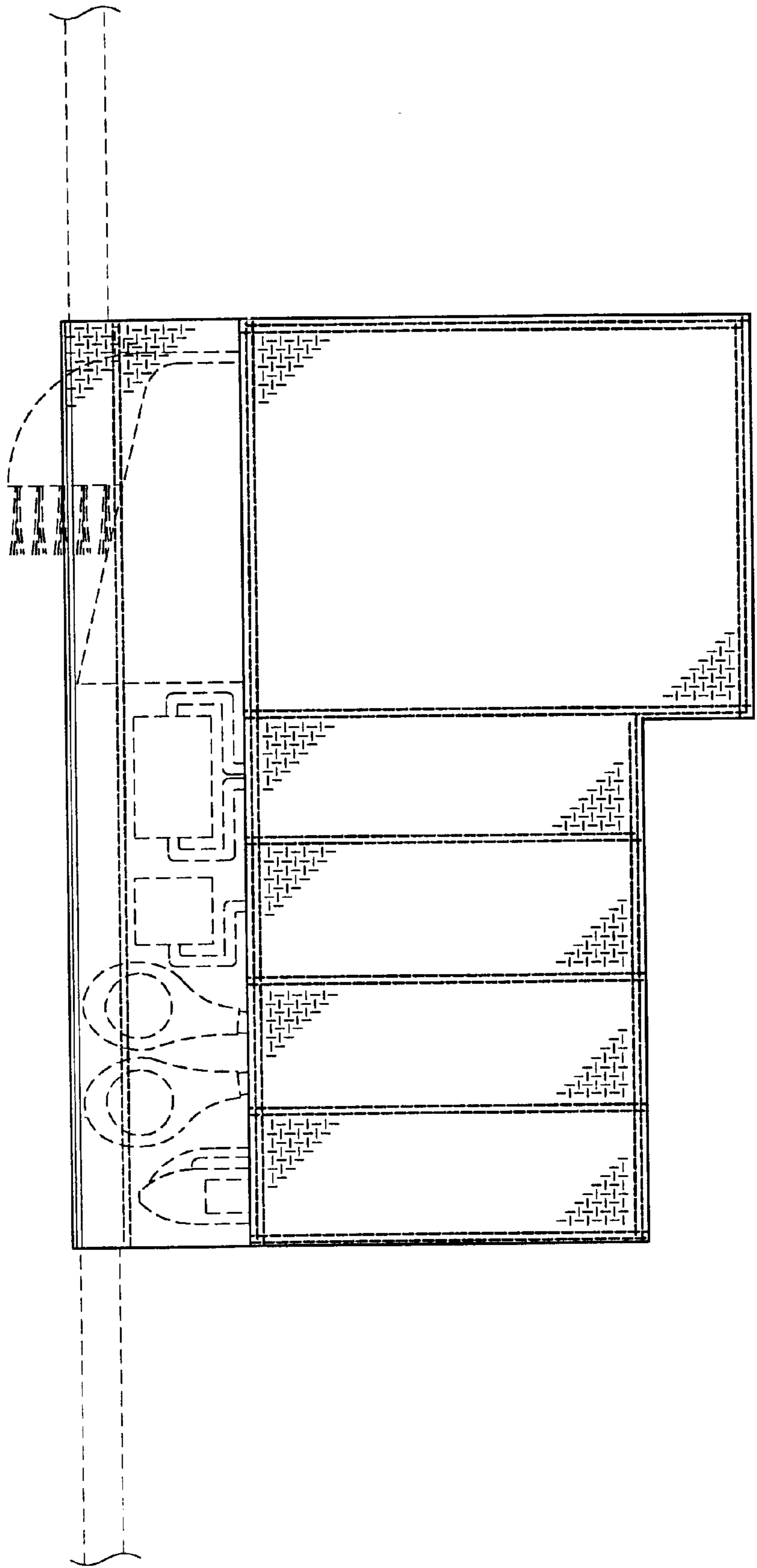


Fig. 3

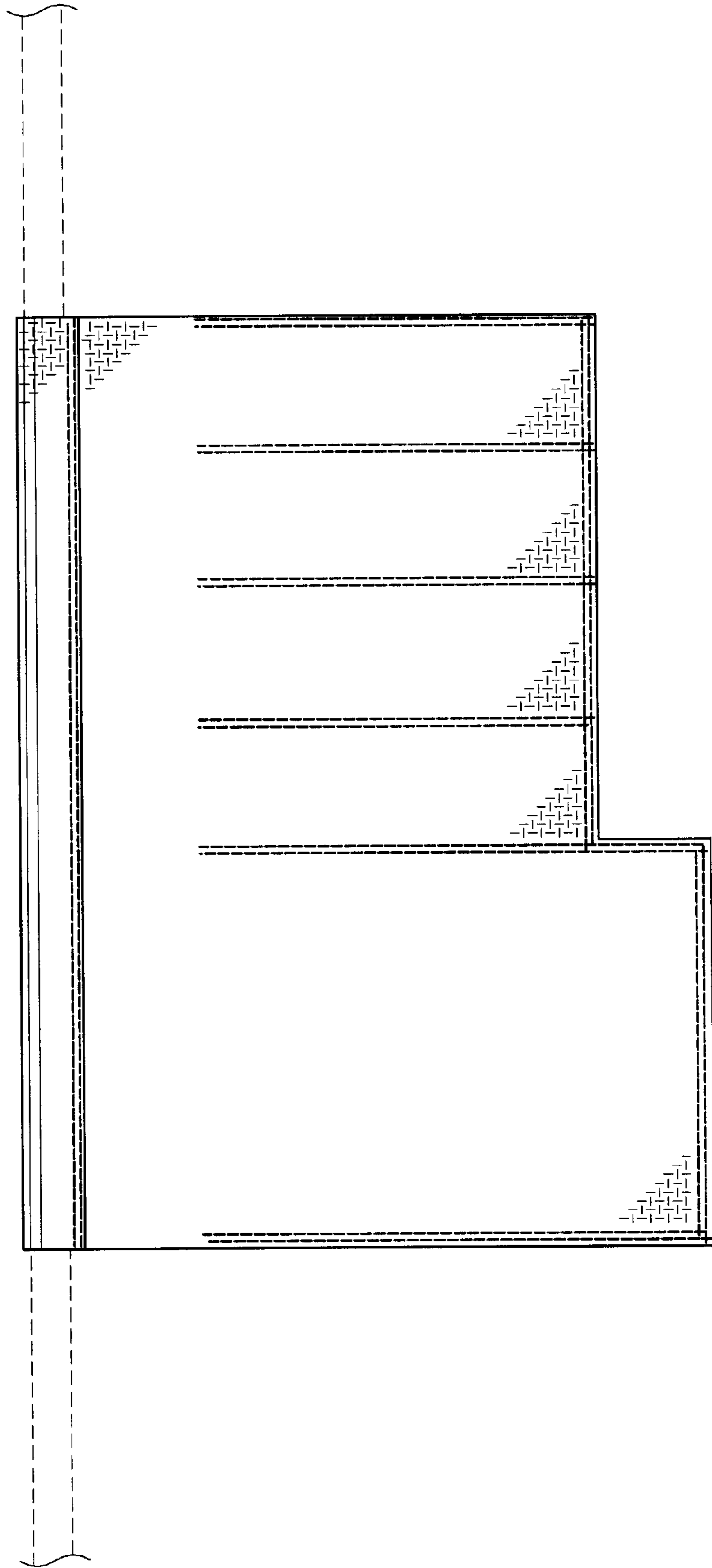


Fig. 4

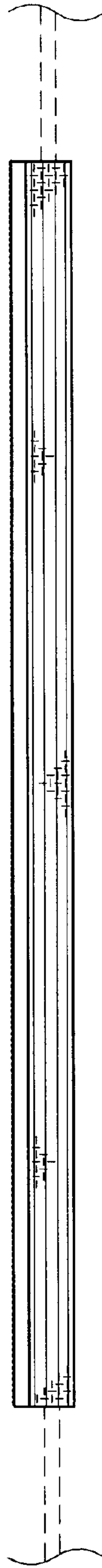


Fig. 5

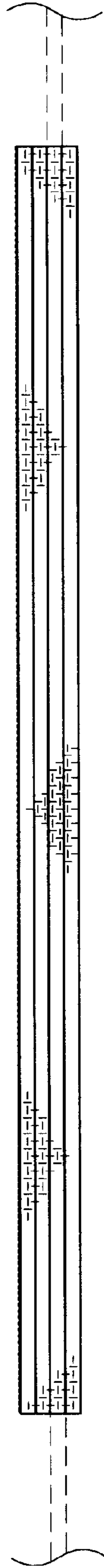


Fig. 6

