



US00D480857S

(12) **United States Design Patent**  
**Wareham**

(10) **Patent No.:** **US D480,857 S**

(45) **Date of Patent:** **\*\* Oct. 14, 2003**

(54) **MODULAR MOBILIZER ASSEMBLY**

(75) **Inventor:** **Robert C. Wareham**, Midland, MI  
(US)

(73) **Assignee:** **Saginaw Products Corp.**, Saginaw, MI  
(US)

(\*\*) **Term:** **14 Years**

(21) **Appl. No.:** **29/159,218**

(22) **Filed:** **Apr. 17, 2002**

(51) **LOC (7) Cl.** ..... **12-05**

(52) **U.S. Cl.** ..... **D34/28**

(58) **Field of Search** ..... D34/28, 12; 414/458,  
414/459; 410/53; 280/43.23

5,006,031 A 4/1991 Fossing et al.  
D323,052 S \* 1/1992 Pollock et al. .... D34/28  
D379,017 S \* 4/1997 Chapman ..... D34/28  
5,660,518 A \* 8/1997 Meier ..... 414/458

**OTHER PUBLICATIONS**

The Simple, Versatile, Powerful Way to Load and Transport  
ISO Containers and Military Shelters.

\* cited by examiner

*Primary Examiner*—Cynthia E. Ramirez

(74) *Attorney, Agent, or Firm*—Reising, Ethington, Barnes,  
Kisselle & Learman, P.C.

(57) **CLAIM**

The ornamental design for a modular mobilizer assembly,  
shown and described.

(56) **References Cited**

**U.S. PATENT DOCUMENTS**

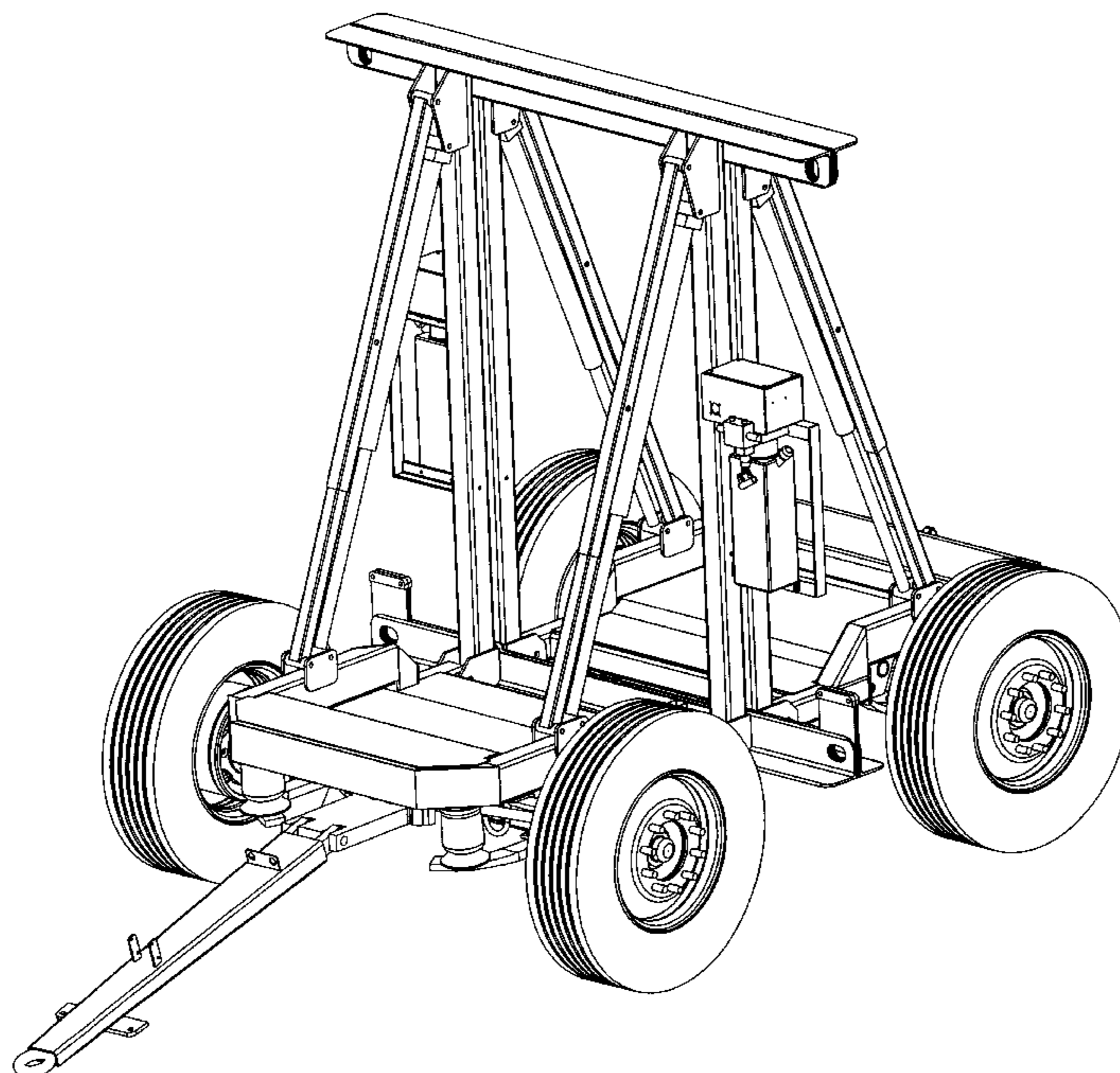
|           |   |           |                    |           |
|-----------|---|-----------|--------------------|-----------|
| 2,968,490 | A | 1/1961    | Baus               |           |
| 3,156,484 | A | 11/1964   | Talbert            |           |
| 3,189,363 | A | 6/1965    | Pierrat            |           |
| 3,193,301 | A | 7/1965    | Talbert et al.     |           |
| 3,243,193 | A | 3/1966    | Fulmer et al.      |           |
| 3,315,974 | A | 4/1967    | Weaver, Jr. et al. |           |
| 3,378,276 | A | * 4/1968  | Fulmer             | 280/43.23 |
| 3,497,231 | A | * 2/1970  | Fulmer et al.      | 480/43.23 |
| 3,521,898 | A | 7/1970    | Fulmer et al.      |           |
| 3,795,336 | A | 3/1974    | Acker et al.       |           |
| 3,885,808 | A | 5/1975    | Derrwaldt          |           |
| 4,231,709 | A | * 11/1980 | Corsetti           | 414/458   |
| 4,452,555 | A | 6/1984    | Calabro            |           |
| 4,721,429 | A | 1/1988    | Fujita et al.      |           |
| 4,861,221 | A | * 8/1989  | Krisa              | 414/563   |
| 4,863,334 | A | 9/1989    | Girerd             |           |
| 4,936,733 | A | * 6/1990  | Girerd             | 414/458   |

**DESCRIPTION**

FIG. 1 is a perspective elevational view of the assembly in  
transport position;  
FIG. 2 is a side elevational view thereof;  
FIG. 3 is an opposite side elevational view;  
FIG. 4 is a front elevational view;  
FIG. 5 is a rear elevational view;  
FIG. 6 is a top plan view;  
FIG. 7 is a bottom plan view;  
FIG. 8 is a rear perspective view of the towing module in  
separated position; and,  
FIG. 9 is a front perspective view of the towed module in  
separated position.

The modular mobilizer is being shown separated in FIGS. 8  
and 9 for convenience of illustration.

**1 Claim, 9 Drawing Sheets**



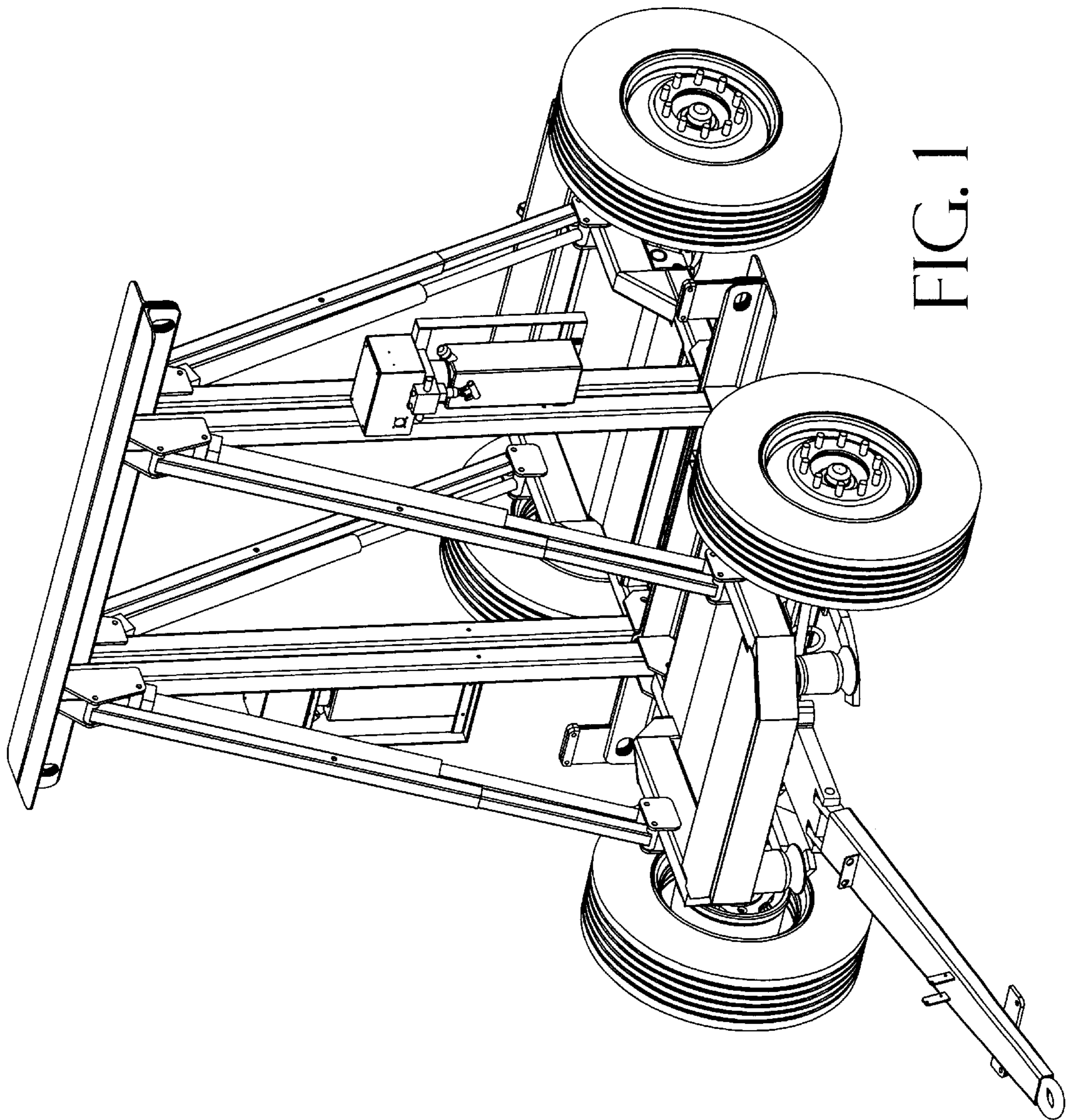


FIG. 1

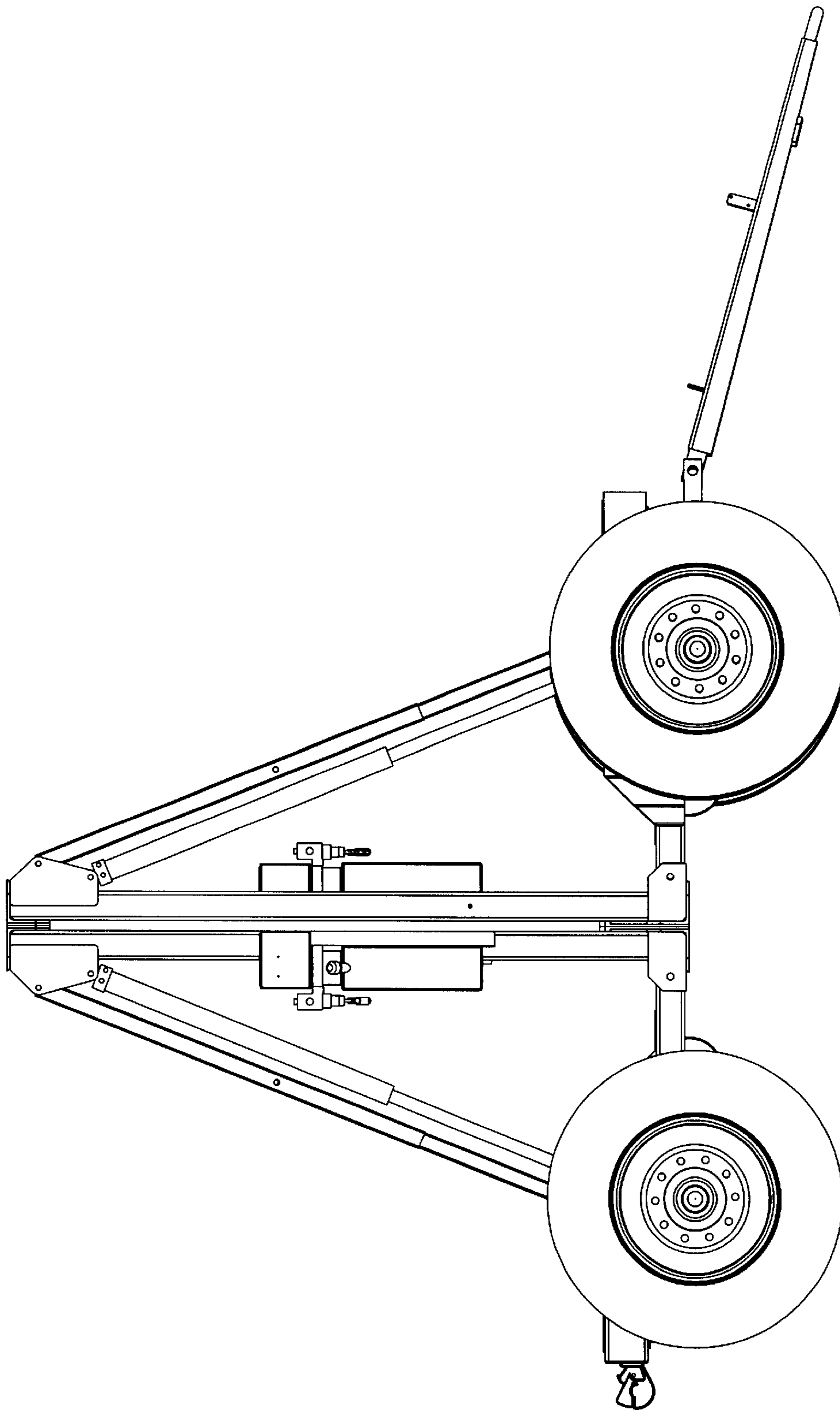


FIG. 2

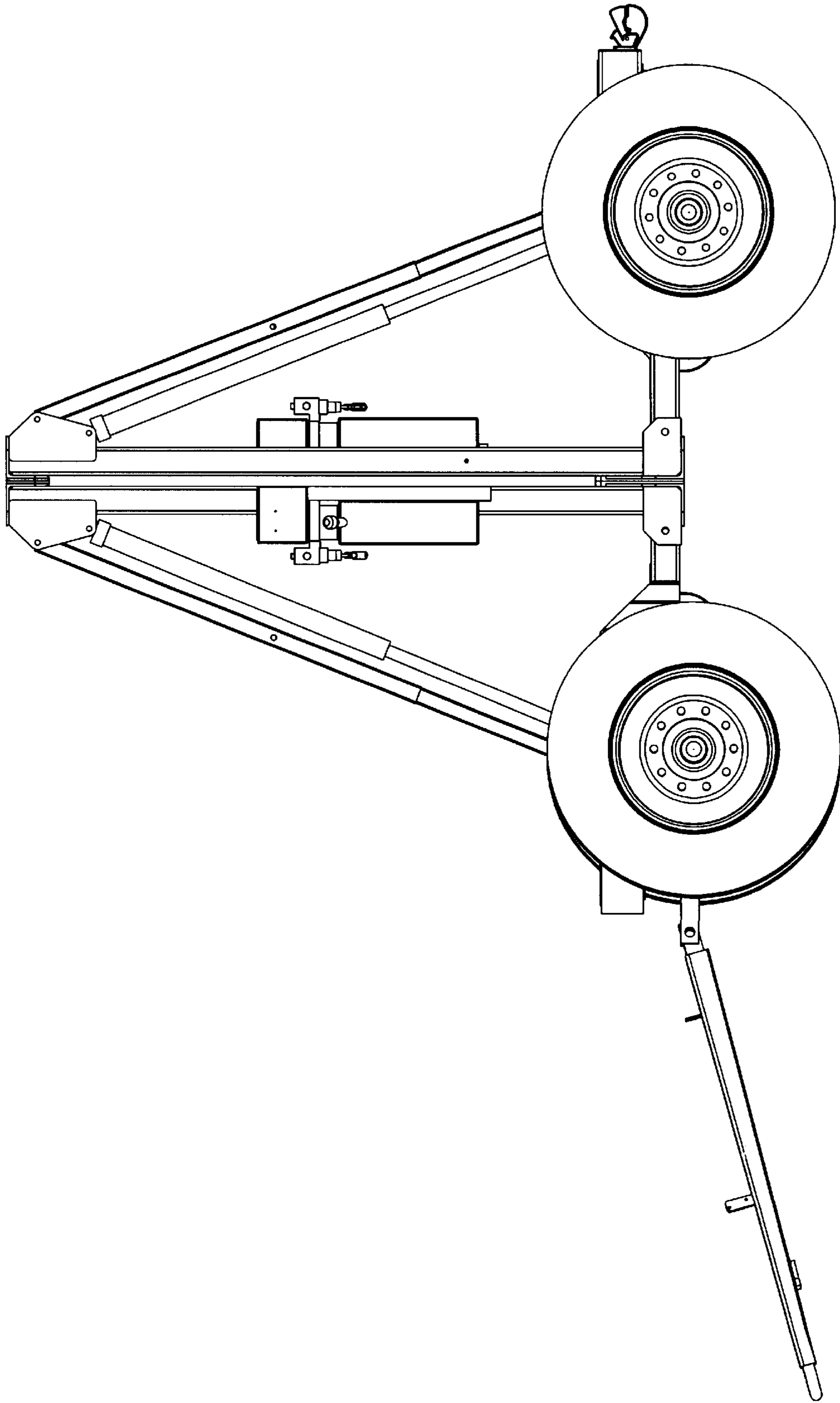


FIG. 3

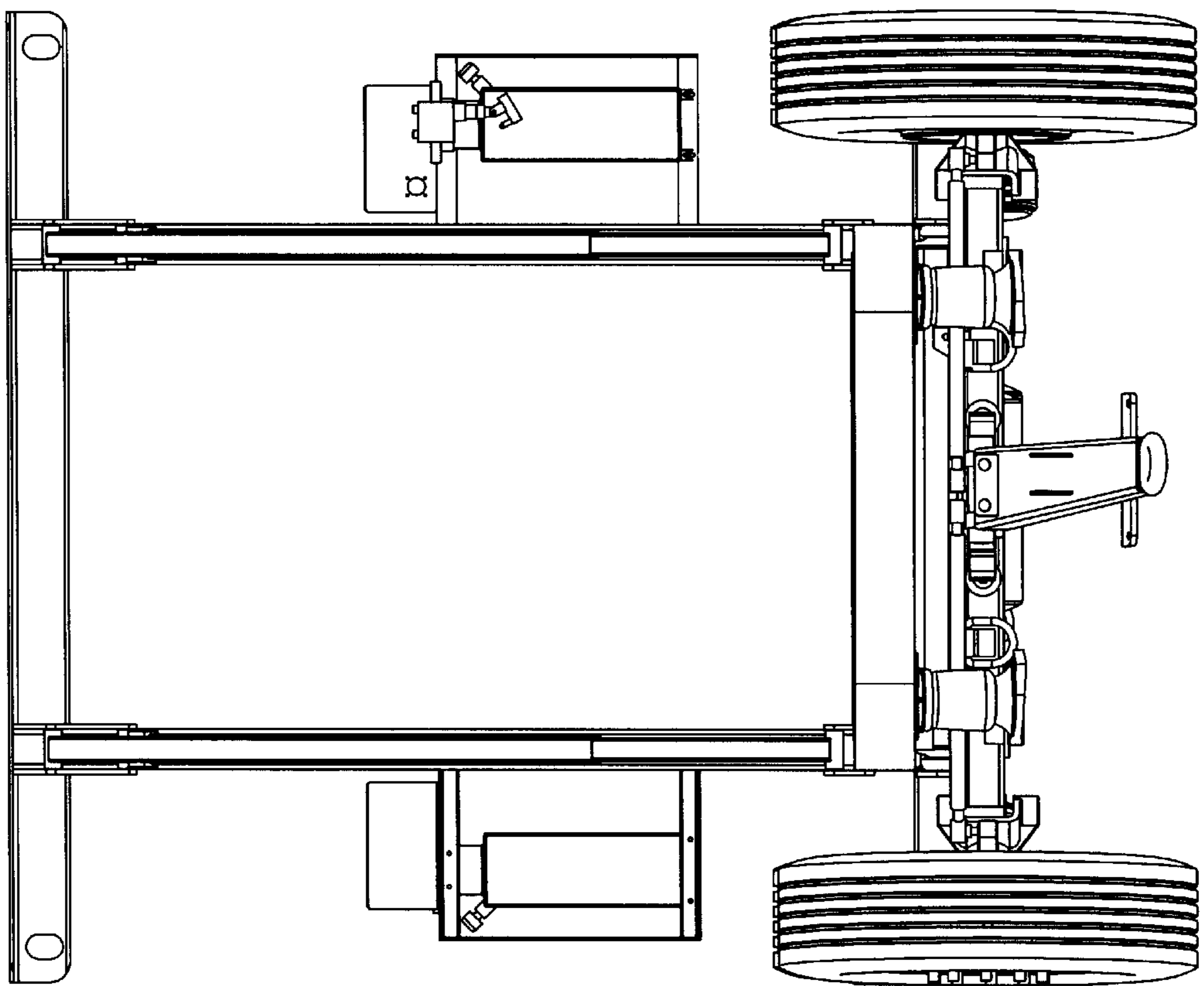


FIG. 4

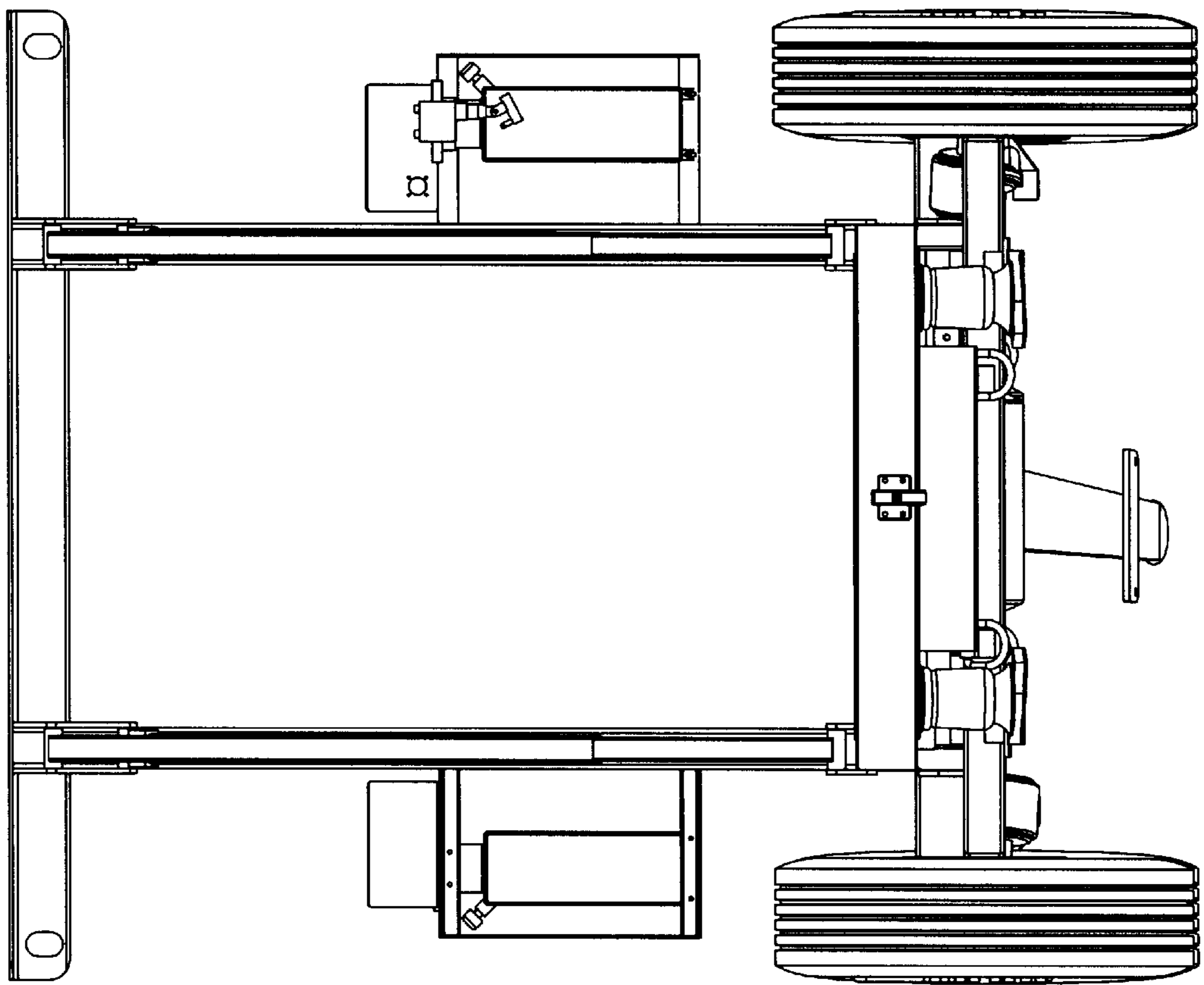


FIG. 5

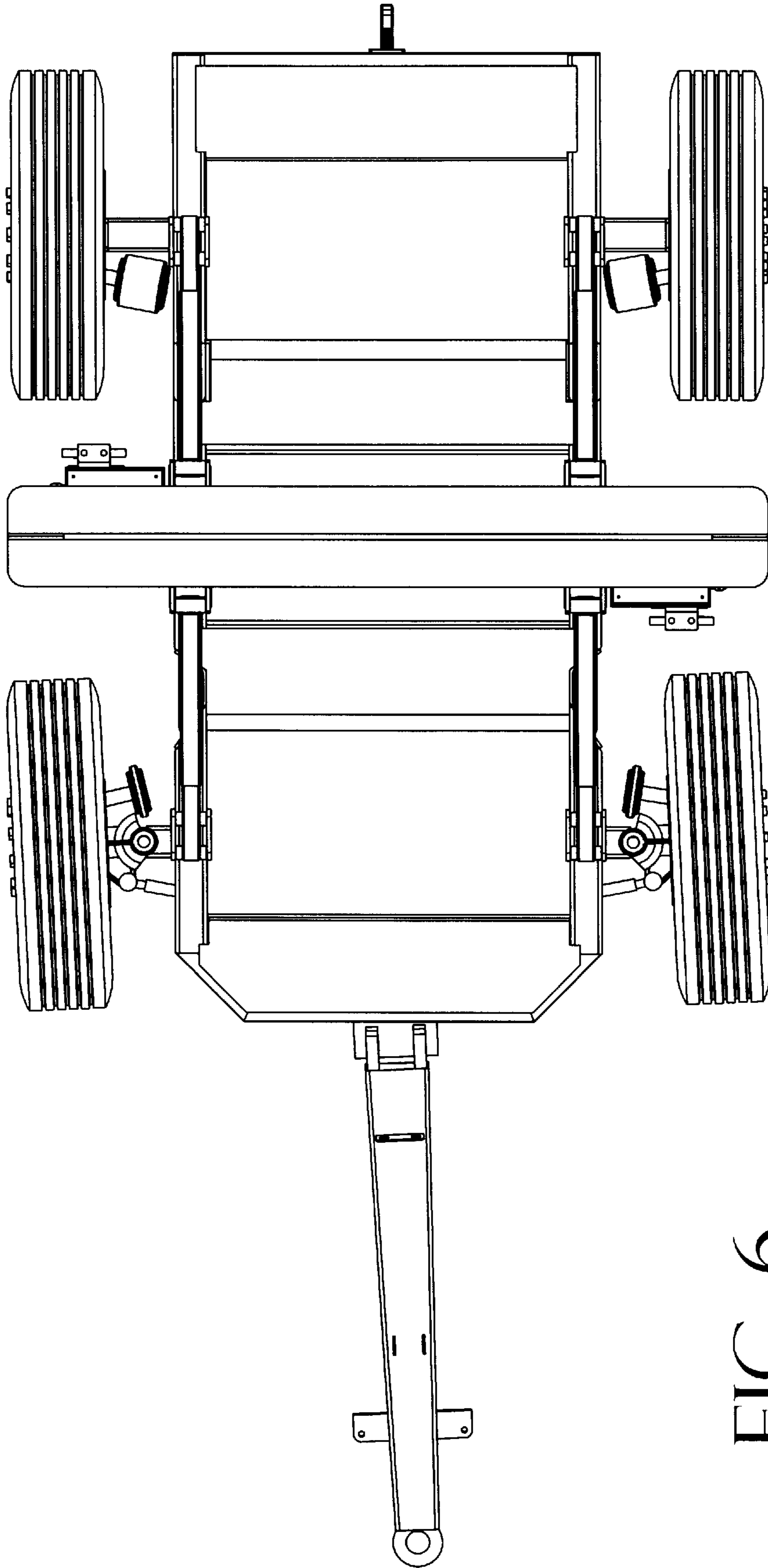


FIG. 6

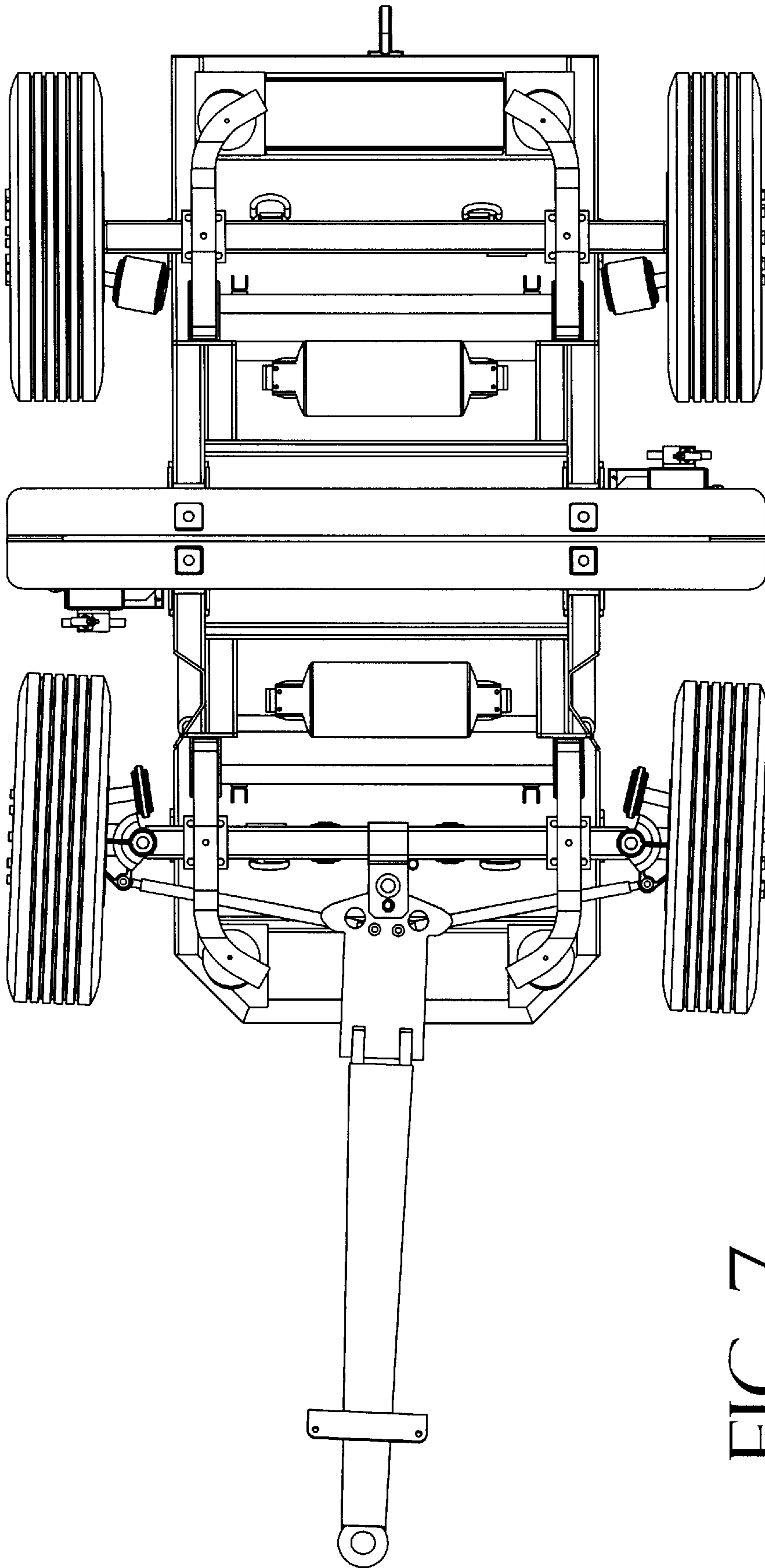


FIG. 7



FIG. 8

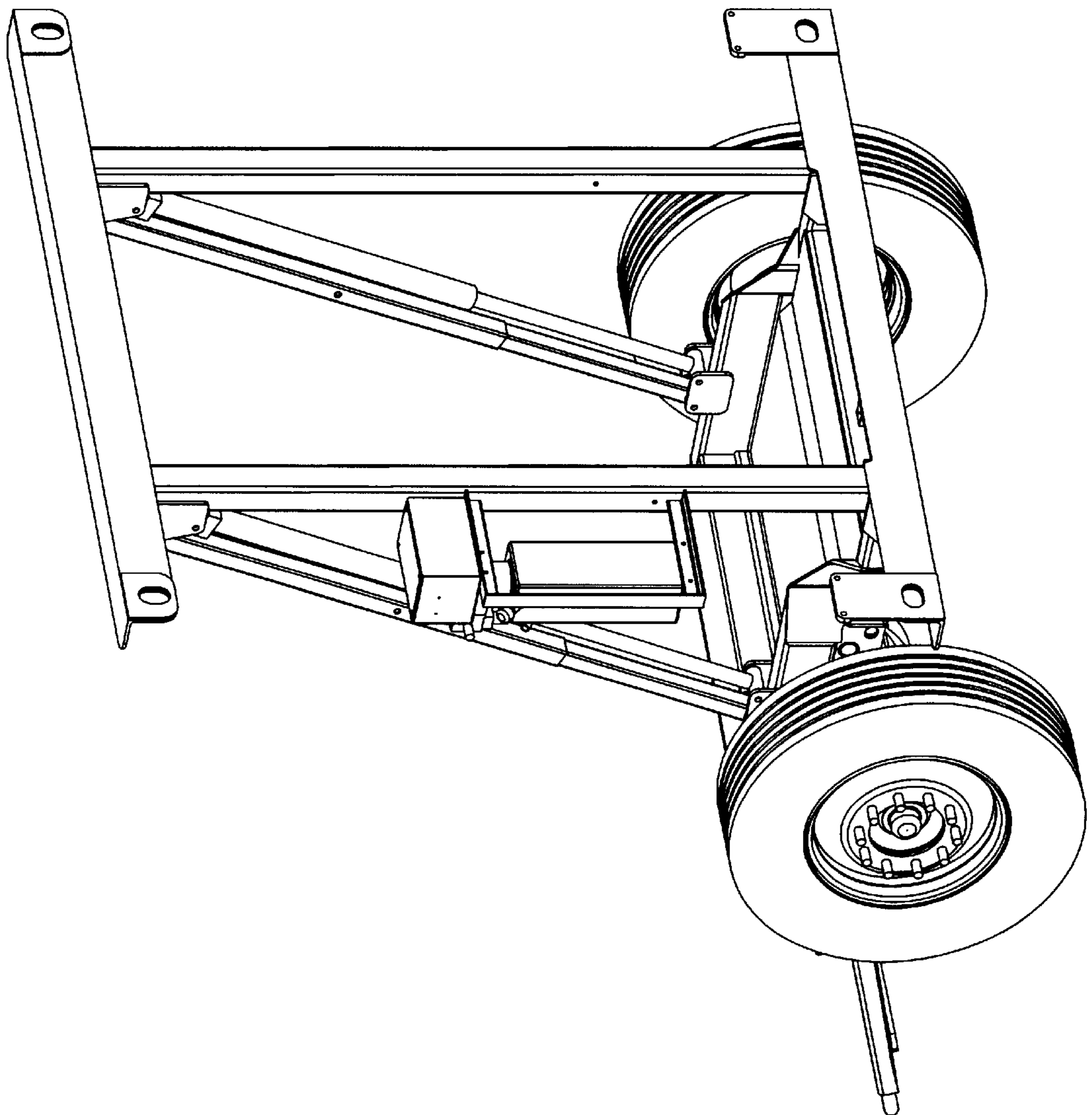


FIG. 9

