



US00D480854S

(12) **United States Design Patent**
Hardy et al.

(10) **Patent No.:** **US D480,854 S**

(45) **Date of Patent:** **** Oct. 14, 2003**

(54) **WASTE RECEPTACLE**

(76) Inventors: **Hugh Hardy**, 684 Broadway, #12E,
New York, NY (US) 10012; **John**
Fontillas, 469 47th St., Brooklyn, NY
(US) 11220

(**) **Term:** **14 Years**

(21) **Appl. No.:** **29/152,887**

(22) **Filed:** **Oct. 26, 2001**

Related U.S. Application Data

(62) Division of application No. 29/121,331, filed on Apr. 5,
2000.

(51) **LOC (7) Cl.** **09-09**

(52) **U.S. Cl.** **D34/1**

(58) **Field of Search** D34/1, 5, 6, 7,
D34/8, 9; 220/908, 909, 910, 911

(56) **References Cited**

U.S. PATENT DOCUMENTS

D52,158 S	*	7/1918	Derry	D34/1
2,112,465 A	*	3/1938	Maish	220/908
2,135,813 A	*	11/1938	Hartman	220/909
D114,759 S	*	5/1939	Hobson	D34/1

D120,270 S	*	4/1940	Martinez	D34/1
D228,223 S	*	8/1973	Gilbert	D34/7
D302,885 S	*	8/1989	Barbee	D34/6
D312,160 S	*	11/1990	Calvi	D34/7
D312,519 S	*	11/1990	Hobson	D32/37
5,118,173 A	*	6/1992	Prosctor et al.	220/909
D335,559 S	*	5/1993	Land	D34/1
D335,562 S	*	5/1993	Evans	D34/7
D337,188 S	*	7/1993	Bonskowski	D34/1
D338,758 S	*	8/1993	Sexton et al.	D34/7

* cited by examiner

Primary Examiner—Cynthia E. Ramirez
(74) *Attorney, Agent, or Firm*—Skadden, Arps, Slate,
Meagher & Flom LLP

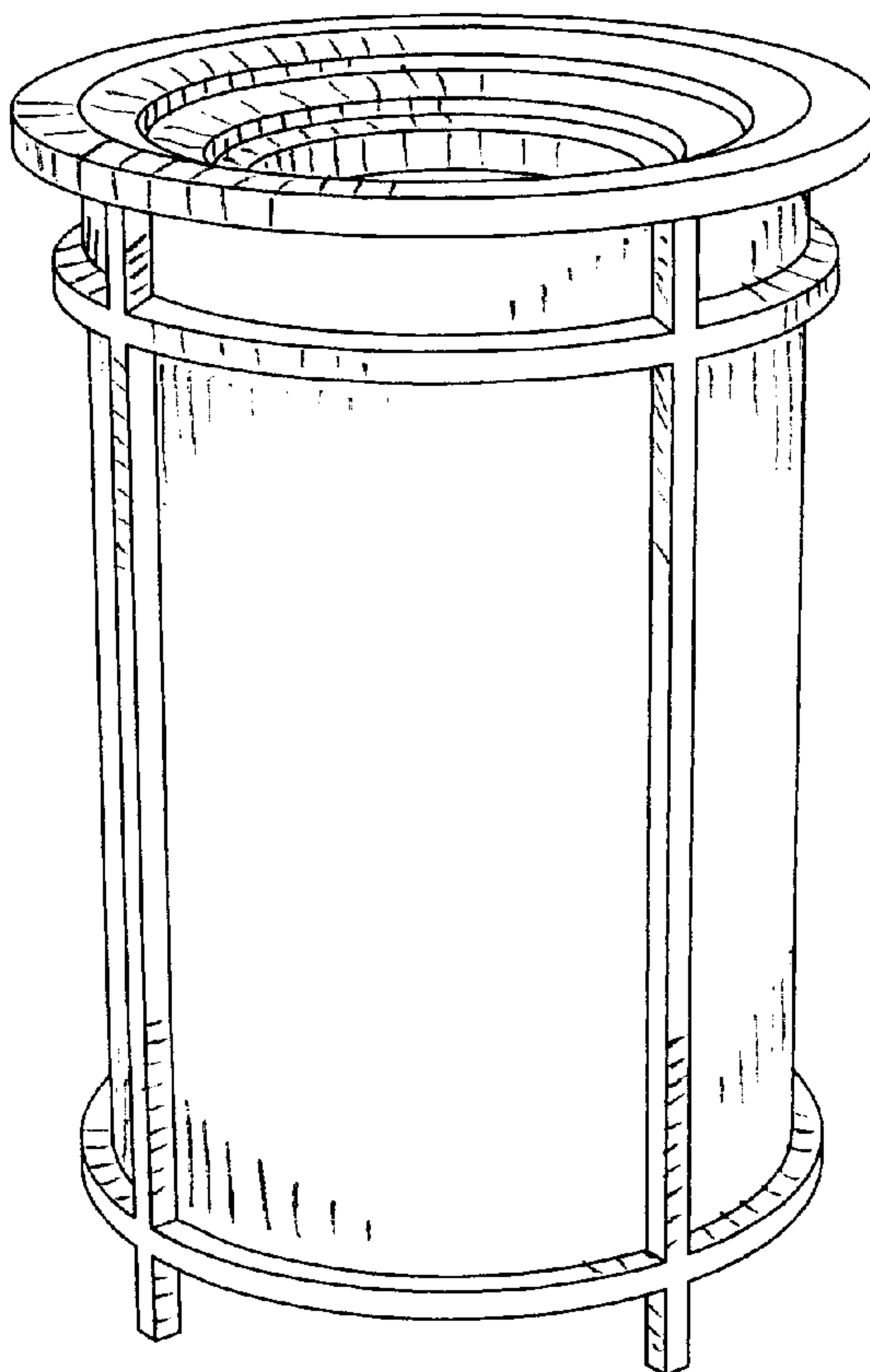
(57) **CLAIM**

The ornamental design for a waste receptacle, as shown and described.

DESCRIPTION

FIG. 1 is a perspective view of a waste receptacle in accordance with the invention;
FIG. 2 is an elevation view of the waste receptacle;
FIG. 3 is a top view of the waste receptacle; and,
FIG. 4 is a bottom view of a waste receptacle.

1 Claim, 1 Drawing Sheet



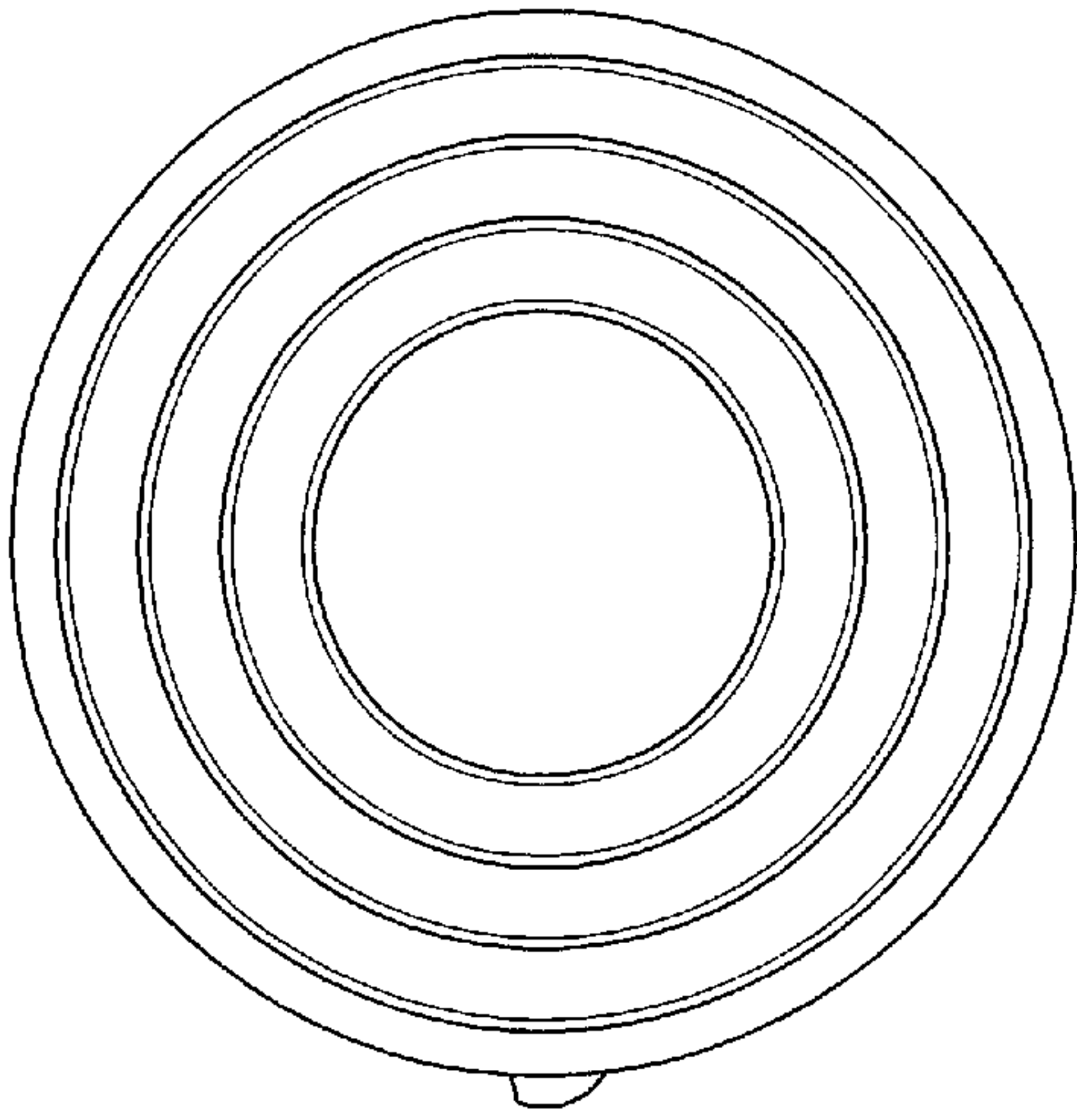


FIG-3

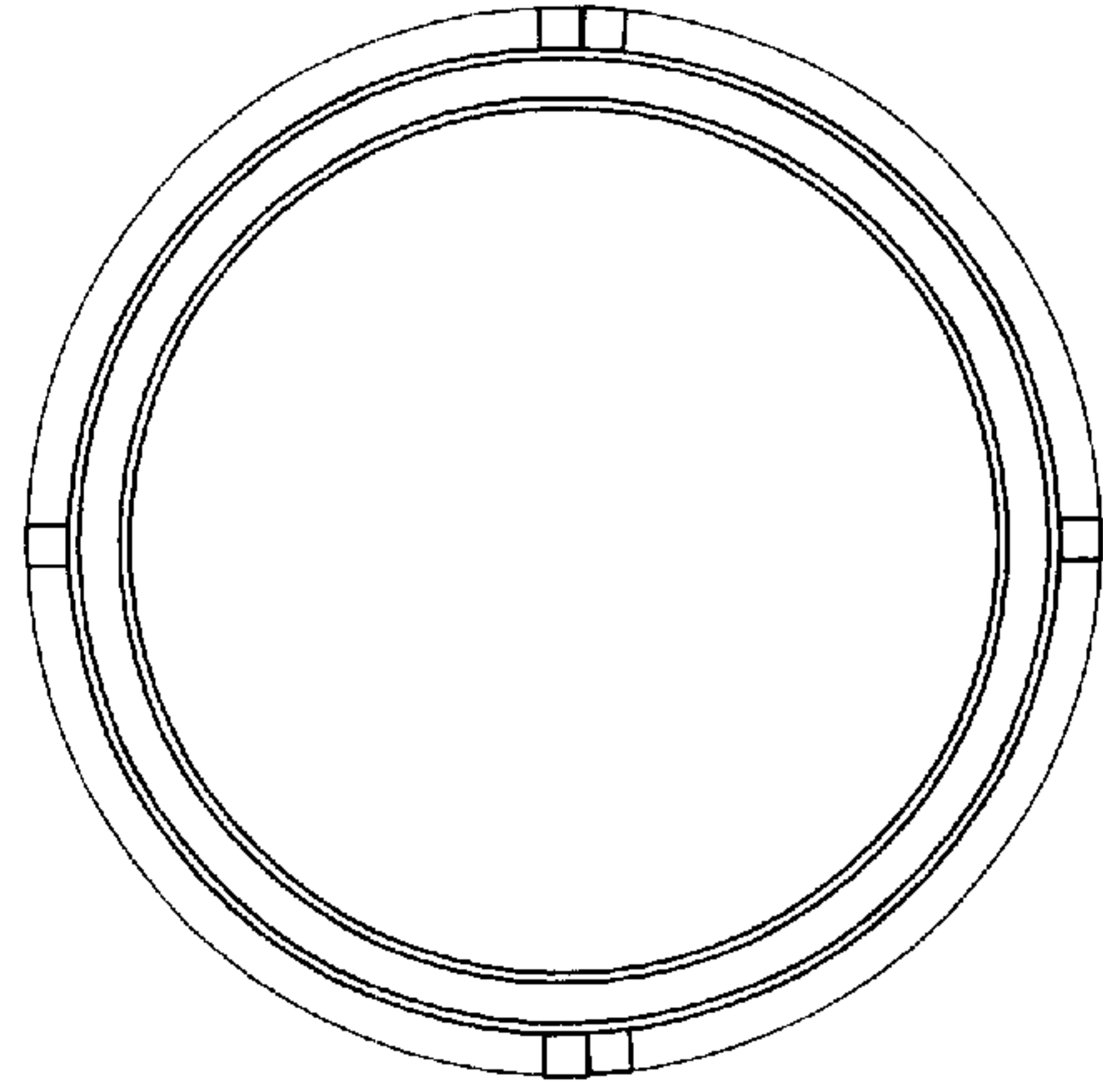


FIG-4

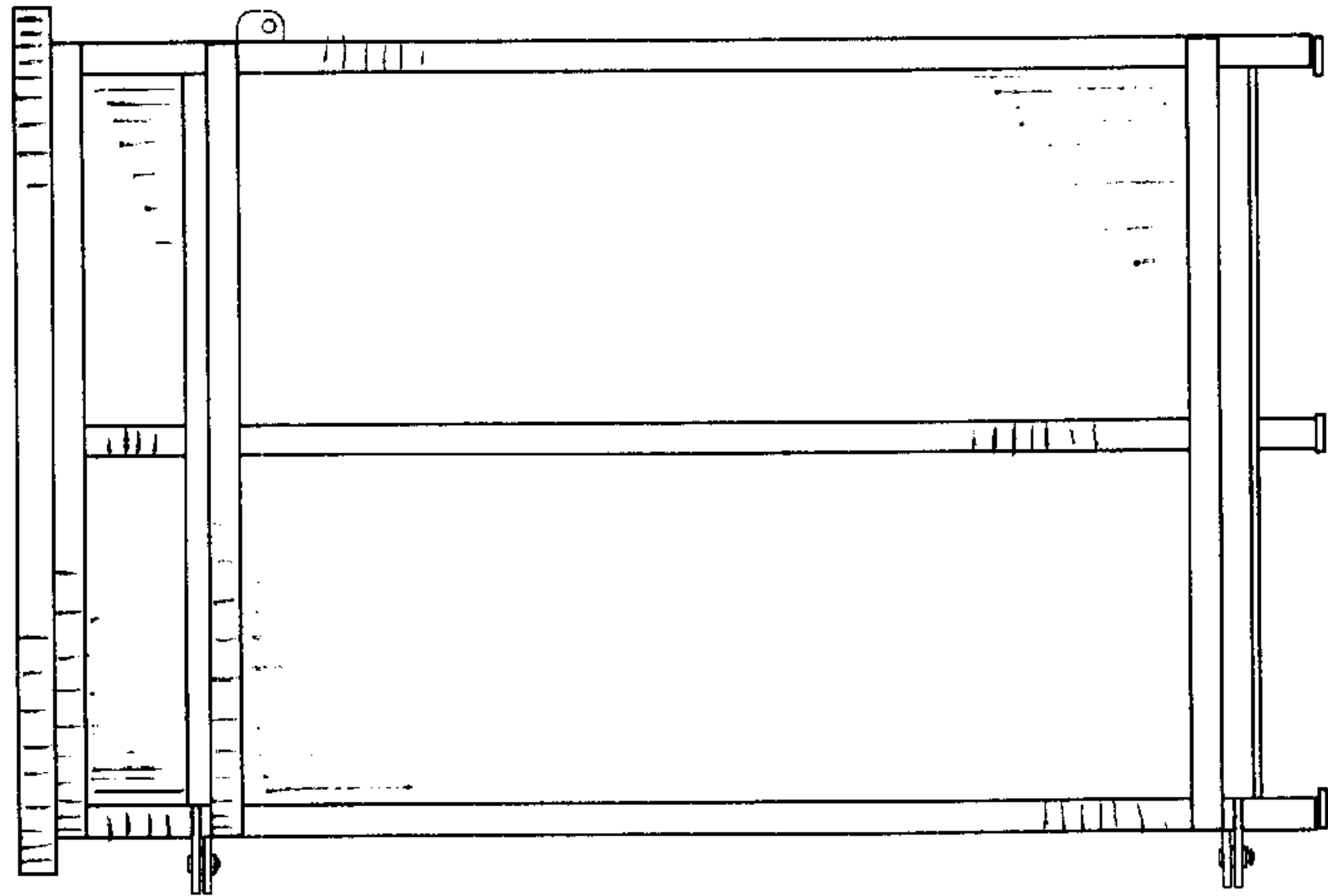


FIG-2

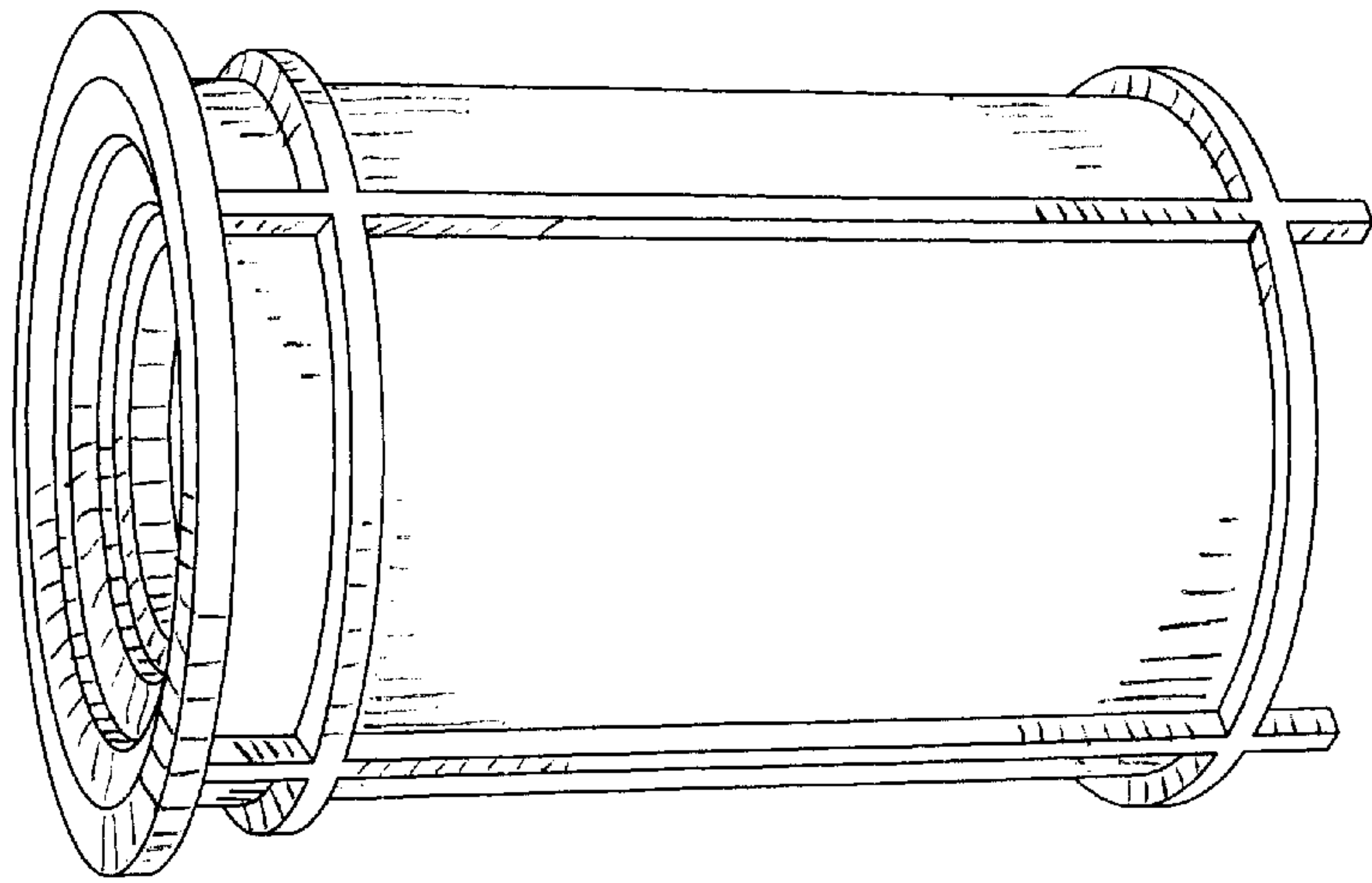


FIG-1