



US00D480853S

(12) **United States Design Patent**
Snell

(10) **Patent No.:** **US D480,853 S**

(45) **Date of Patent:** **** Oct. 14, 2003**

(54) **SQUEEGEE**

(75) Inventor: **Russell Benton Snell**, Bentleyville, OH (US)

(73) Assignee: **InterDesign, Inc.**, Solon, OH (US)

(**) Term: **14 Years**

(21) Appl. No.: **29/176,956**

(22) Filed: **Feb. 28, 2003**

(51) **LOC (7) Cl.** **07-05**

(52) **U.S. Cl.** **D32/41**

(58) **Field of Search** D32/40, 41, 46,
D32/49; D8/45; 15/143.1, 236.01, 236.02,
245, 245.1; 30/169

(56) **References Cited**

U.S. PATENT DOCUMENTS

D291,611 S	*	8/1987	Toth	D42/49
D342,355 S	*	12/1993	Schildkraut	D32/41
D360,505 S	*	7/1995	Goodman et al.	D32/41
D391,712 S	*	3/1998	Immerman	D32/41
5,971,192 A		10/1999	Immerman et al.		

OTHER PUBLICATIONS

bath, 1998 InterDesign, Inc. product brochure, p. 13 w/ front and back covers.

* cited by examiner

Primary Examiner—Alan P. Douglas

Assistant Examiner—Lavone D. Tabor

(74) *Attorney, Agent, or Firm*—D. Peter Hochberg; Katherine R. Vieyra; Sean Mellino

(57) **CLAIM**

The ornamental design for a squeegee, as shown and described.

DESCRIPTION

FIG. 1 is a perspective view of a squeegee embodying this invention;

FIG. 2 is a top view of the squeegee shown in FIG. 1;

FIG. 3 is a front view of the squeegee shown in FIG. 1;

FIG. 4 is a right side elevation view of the squeegee shown in FIG. 1;

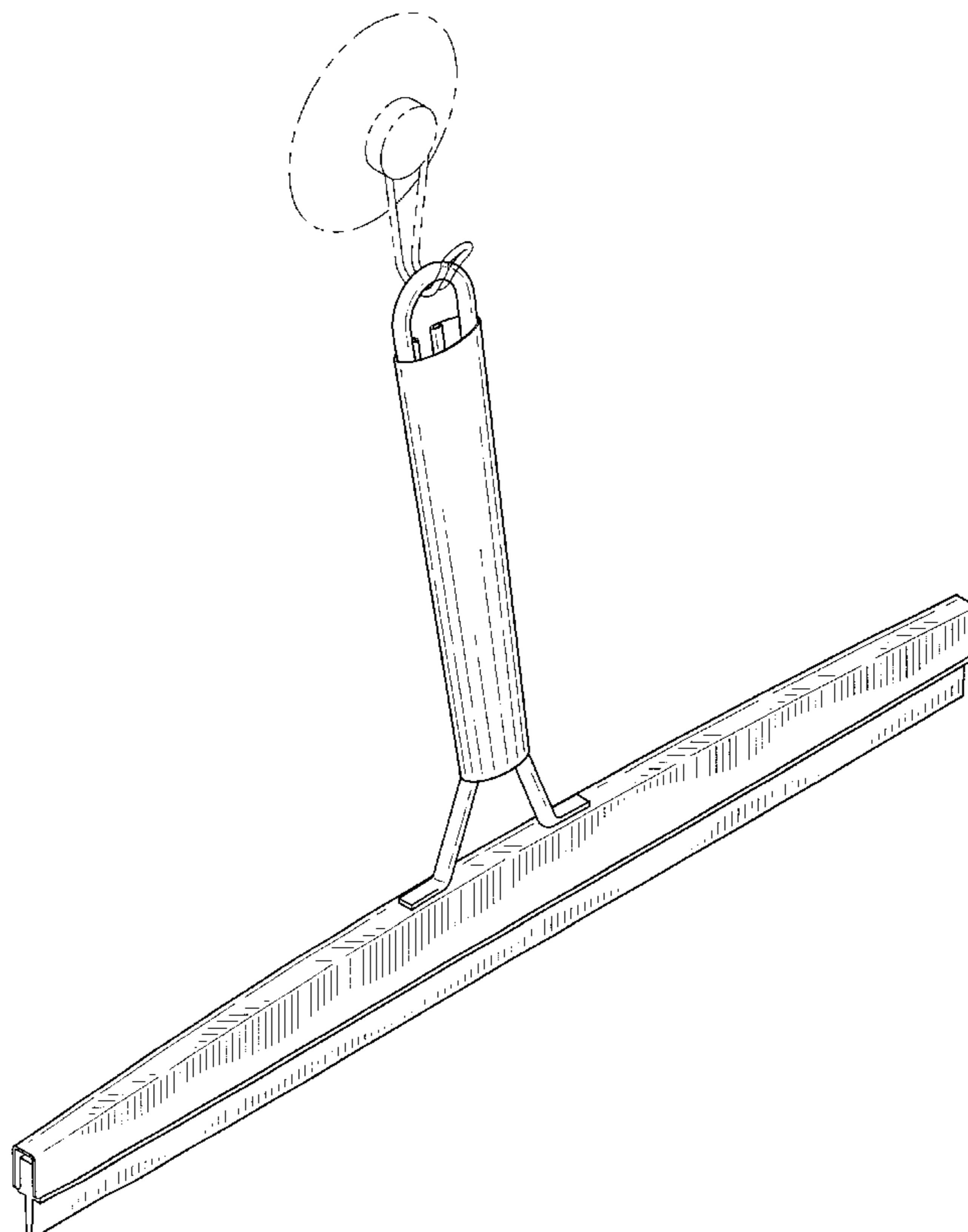
FIG. 5 is a rear view of the squeegee shown in FIG. 1;

FIG. 6 is a left side elevation view of the squeegee shown in FIG. 1; and,

FIG. 7 is a bottom view of the squeegee shown in FIG. 1.

The structure shown in broken lines in FIGS. 1 and 3–6 is for illustrative purposes only and forms no part of the claimed design.

1 Claim, 3 Drawing Sheets



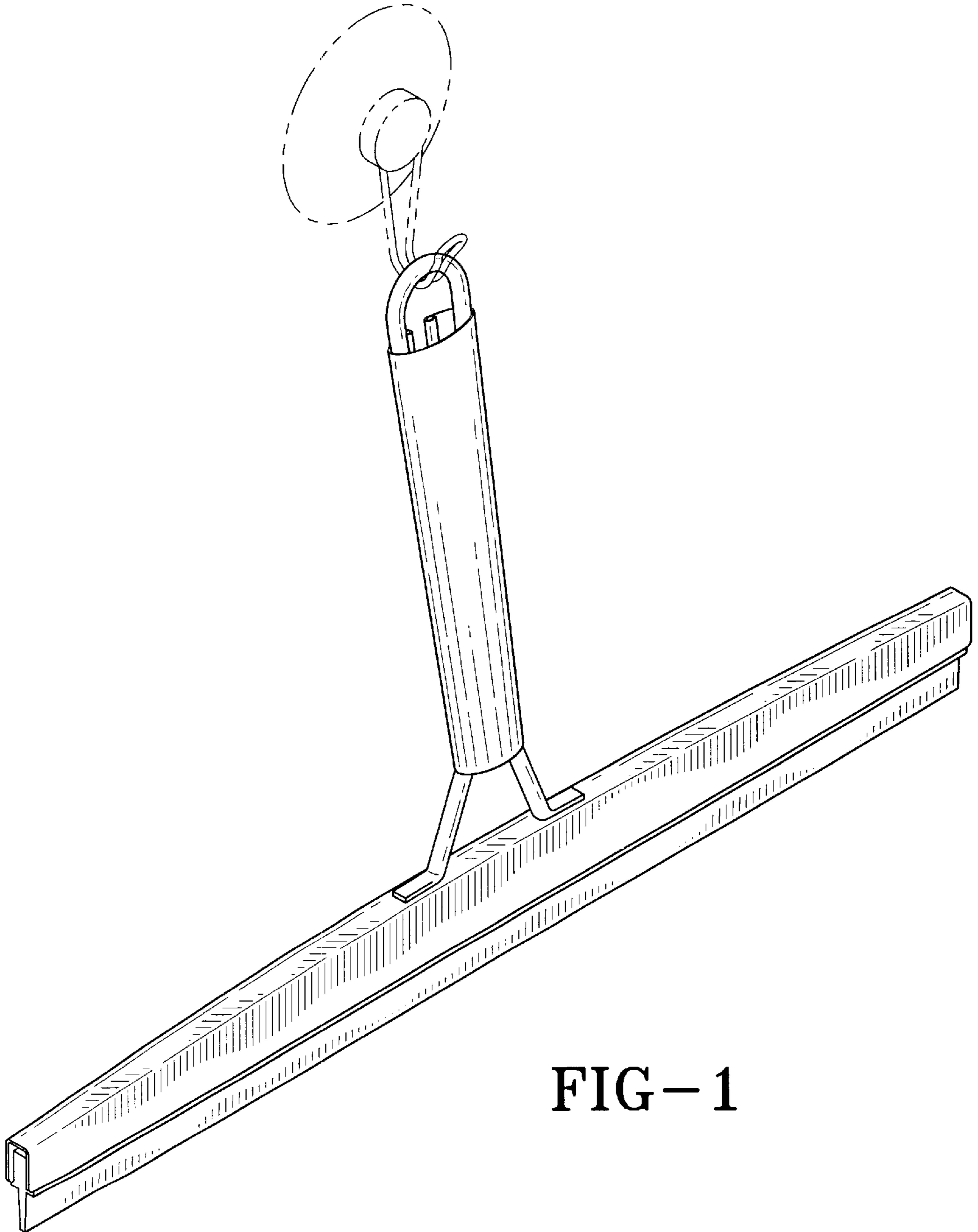


FIG-1

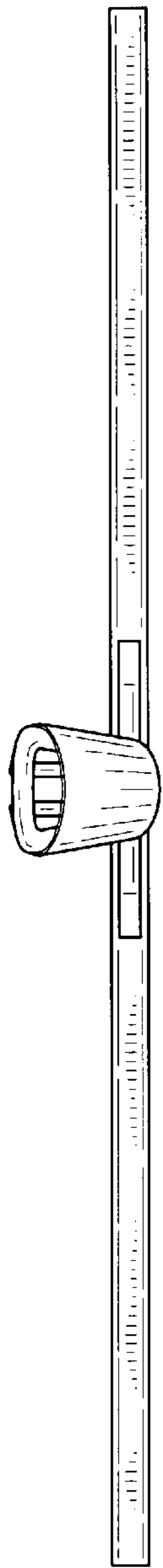


FIG-2

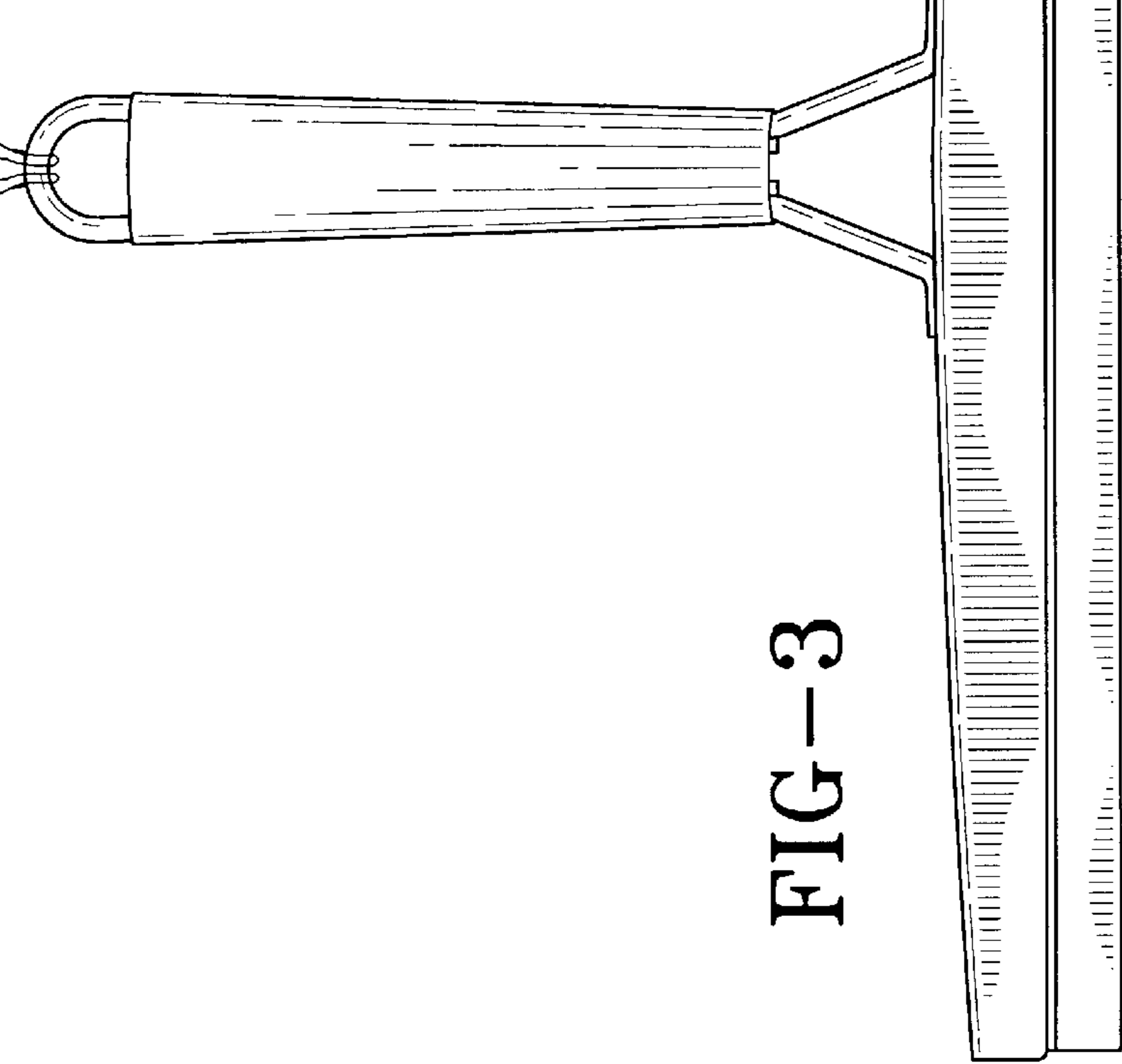
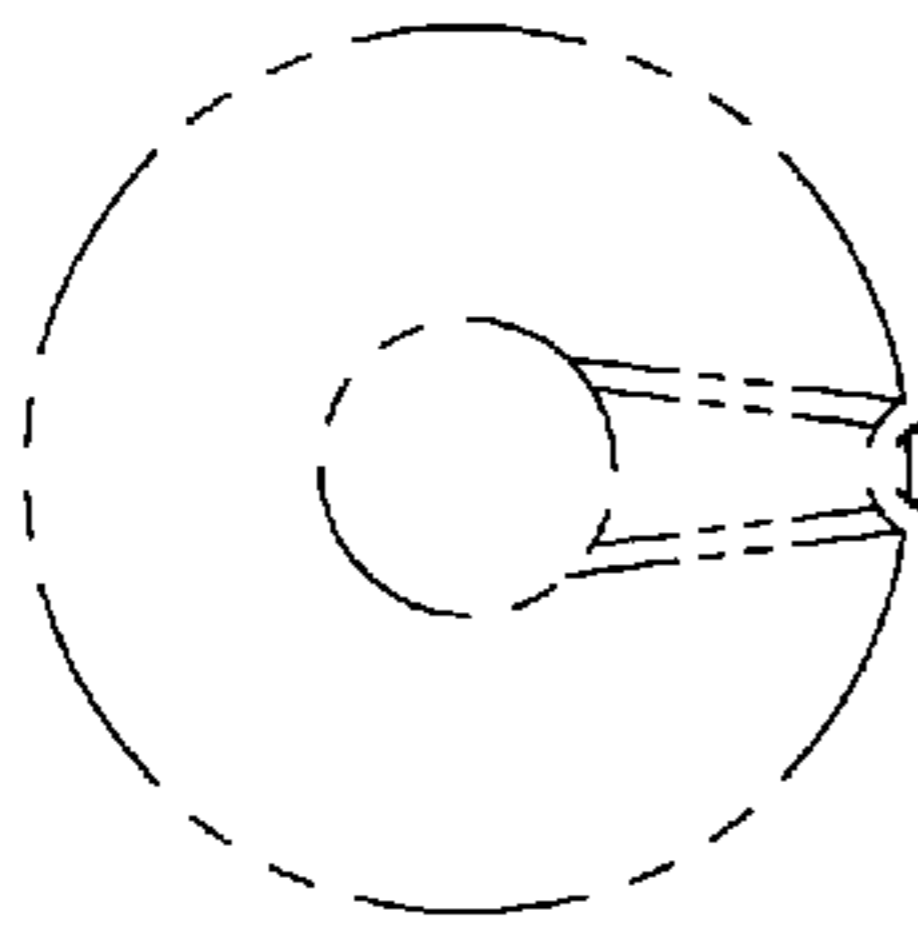


FIG-3

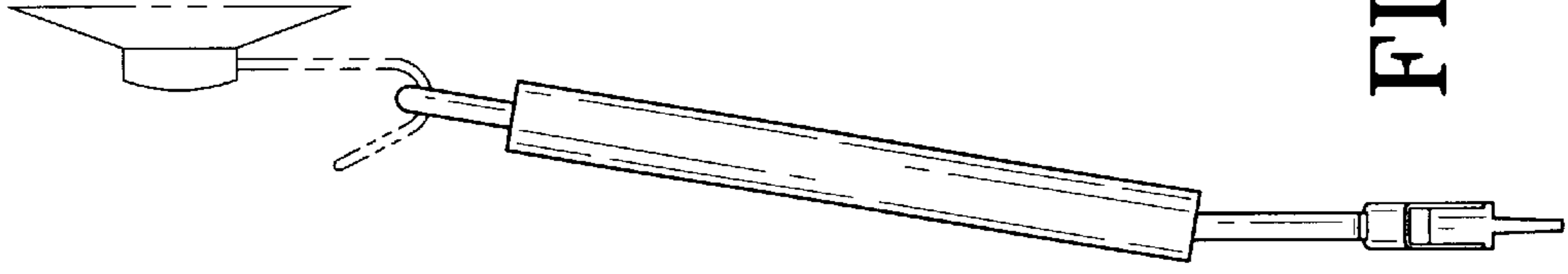


FIG-4

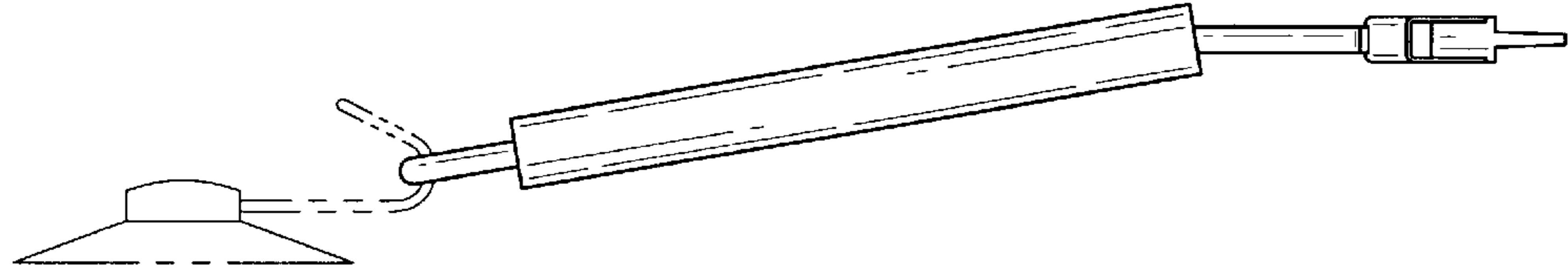


FIG-6

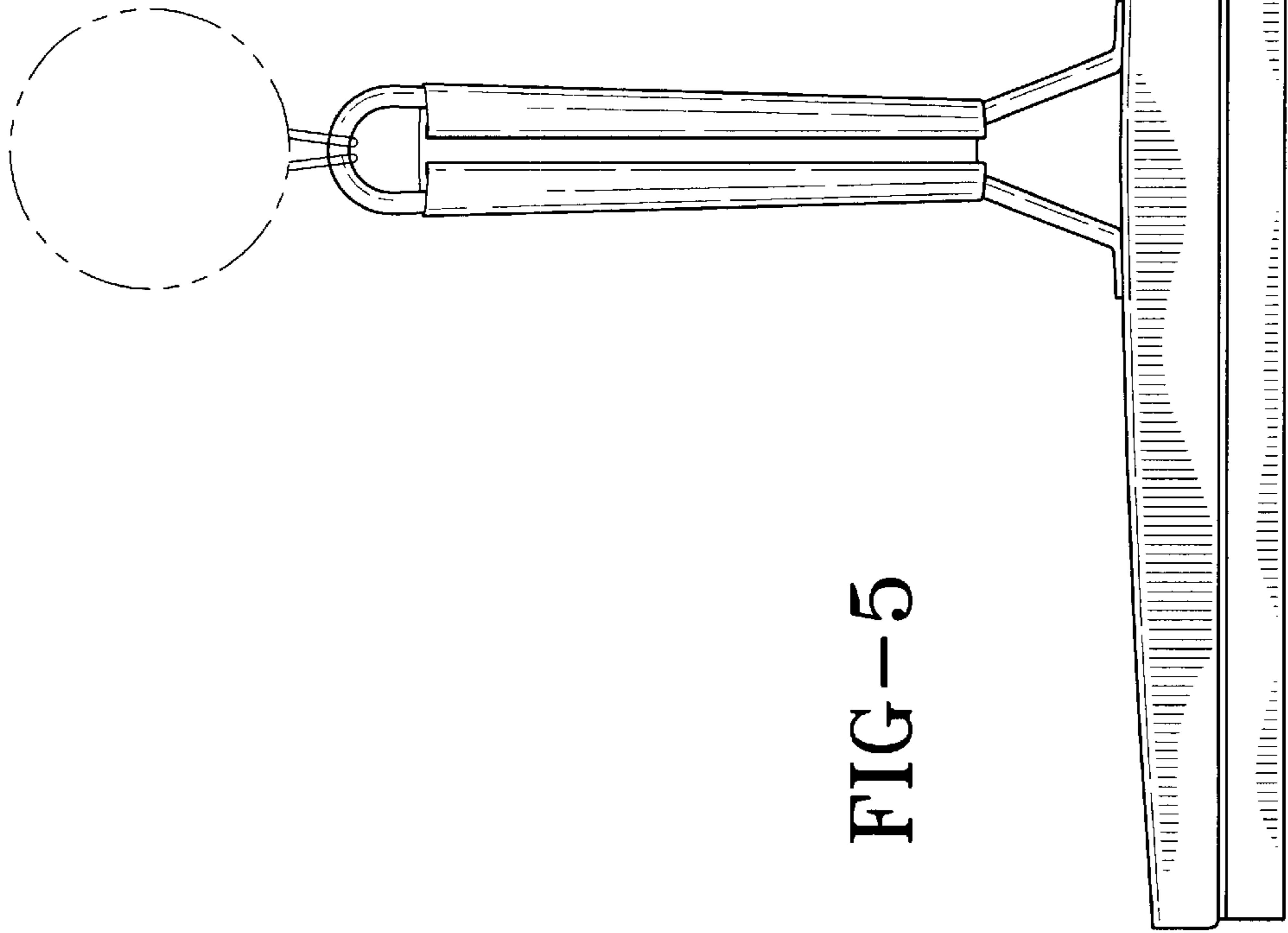


FIG-5

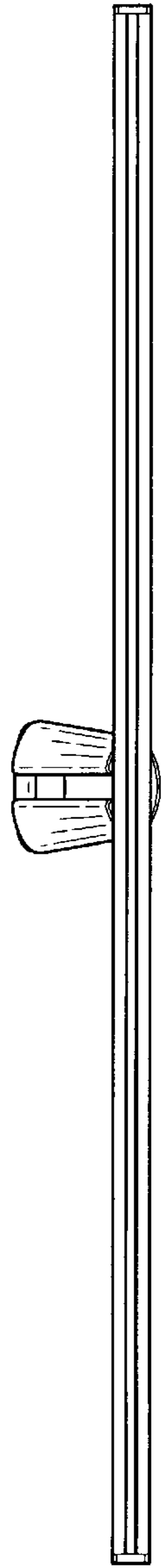


FIG-7