



US00D480851S

(12) **United States Design Patent**
Stephens et al.

(10) **Patent No.:** **US D480,851 S**

(45) **Date of Patent:** **** Oct. 14, 2003**

(54) **FRONT HANDLE FOR VACUUM CLEANER**

(75) Inventors: **Paul D. Stephens**, Twinsburg, OH (US); **Robert A. Salo**, Mentor, OH (US); **Mark E. Cipolla**, Chardon, OH (US); **Craig J. Barbeck**, North Royalton, OH (US); **Jeffrey M. Kalman**, Cleveland Heights, OH (US); **Craig M. Saunders**, Rocky River, OH (US); **David J. Boll**, Avon, OH (US)

(73) Assignee: **Royal Appliance Mfg. Co.**, Glenwillow, OH (US)

(**) Term: **14 Years**

(21) Appl. No.: **29/166,146**

(22) Filed: **Aug. 22, 2002**

(51) **LOC (7) Cl.** **15-05**

(52) **U.S. Cl.** **D32/34**

(58) **Field of Search** D32/21-22, 15-16, D32/30-34, 38-39; 15/347, 143.1, 350-353, 349, 335, 361, 410, 329; 55/337, 429, DIG. 3

(56) **References Cited**

U.S. PATENT DOCUMENTS

D185,698 S	*	7/1959	Descaries	D32/34
D241,568 S	*	9/1976	Herzog	D32/34
D345,035 S	*	3/1994	Wulff	D32/34
D381,143 S	*	7/1997	Luebbering	D32/31

D413,698 S	*	9/1999	Dyson	D32/22
D428,677 S		7/2000	Saunders et al.		
D429,044 S	*	8/2000	Saunders et al.	D32/34
D436,425 S		1/2001	Salo et al.		
D439,385 S		3/2001	Salo et al.		
D443,960 S		6/2001	Shimko et al.		
D453,244 S		1/2002	Murphy et al.		
D453,404 S		2/2002	Farone et al.		
D453,597 S		2/2002	Zahuranec et al.		
D463,081 S	*	9/2002	Waldron et al.	D32/34

* cited by examiner

Primary Examiner—Ruth McInroy

(74) *Attorney, Agent, or Firm*—Fay, Sharpe, Fagan, Minnich & McKee, LLP

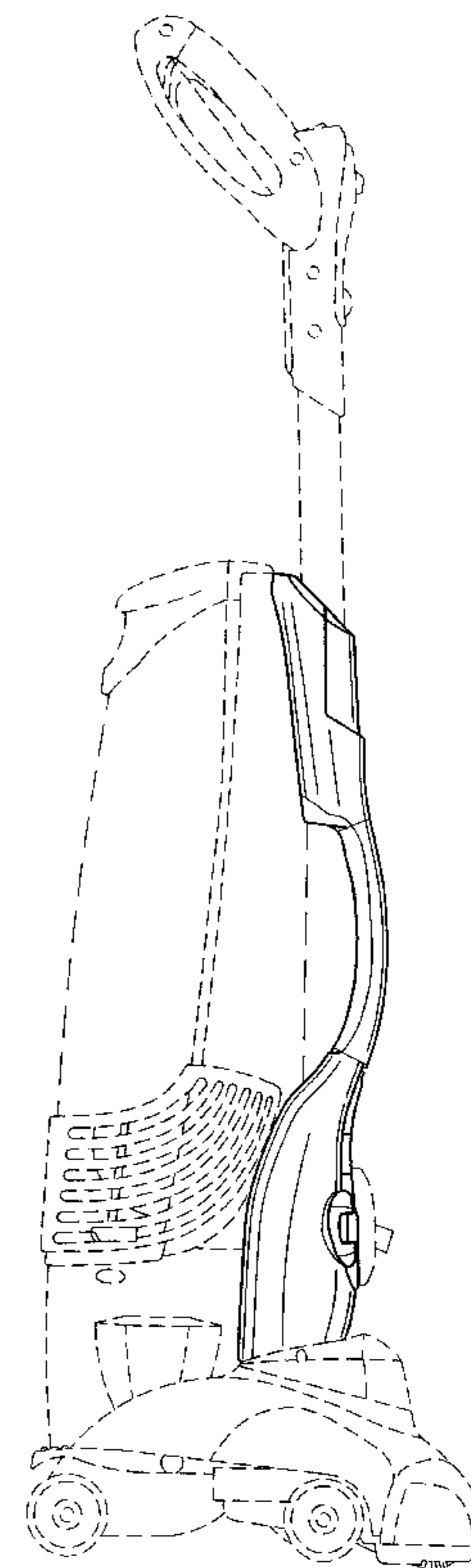
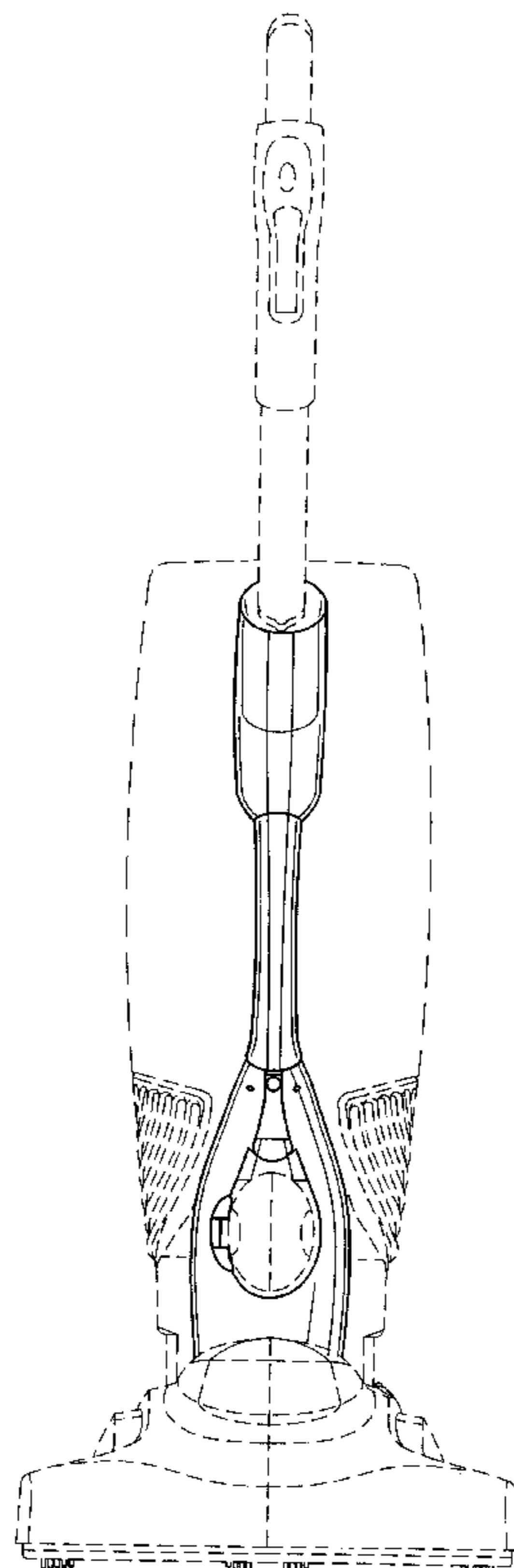
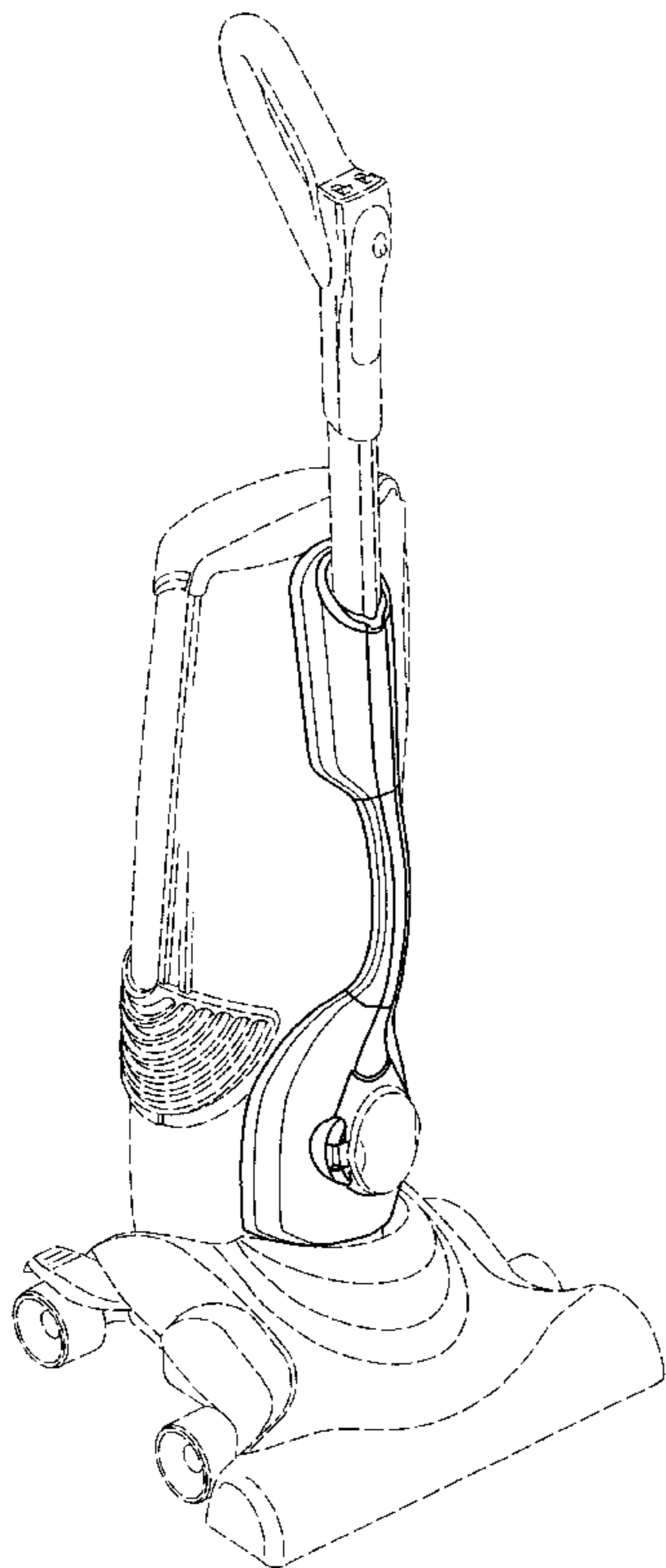
(57) **CLAIM**

The ornamental design for a front handle for a vacuum cleaner, as shown and described.

DESCRIPTION

FIG. 1 is a perspective view of a front handle for a vacuum cleaner showing our new design; FIG. 2 is a front elevational view thereof; FIG. 3 is a left side elevational view thereof; FIG. 4 is a top plan view thereof; and, FIG. 5 is a right side elevational view thereof. The parts shown in broken lines in FIGS. 1-4 are shown for illustrative purposes only and form no part of the claimed design.

1 Claim, 5 Drawing Sheets



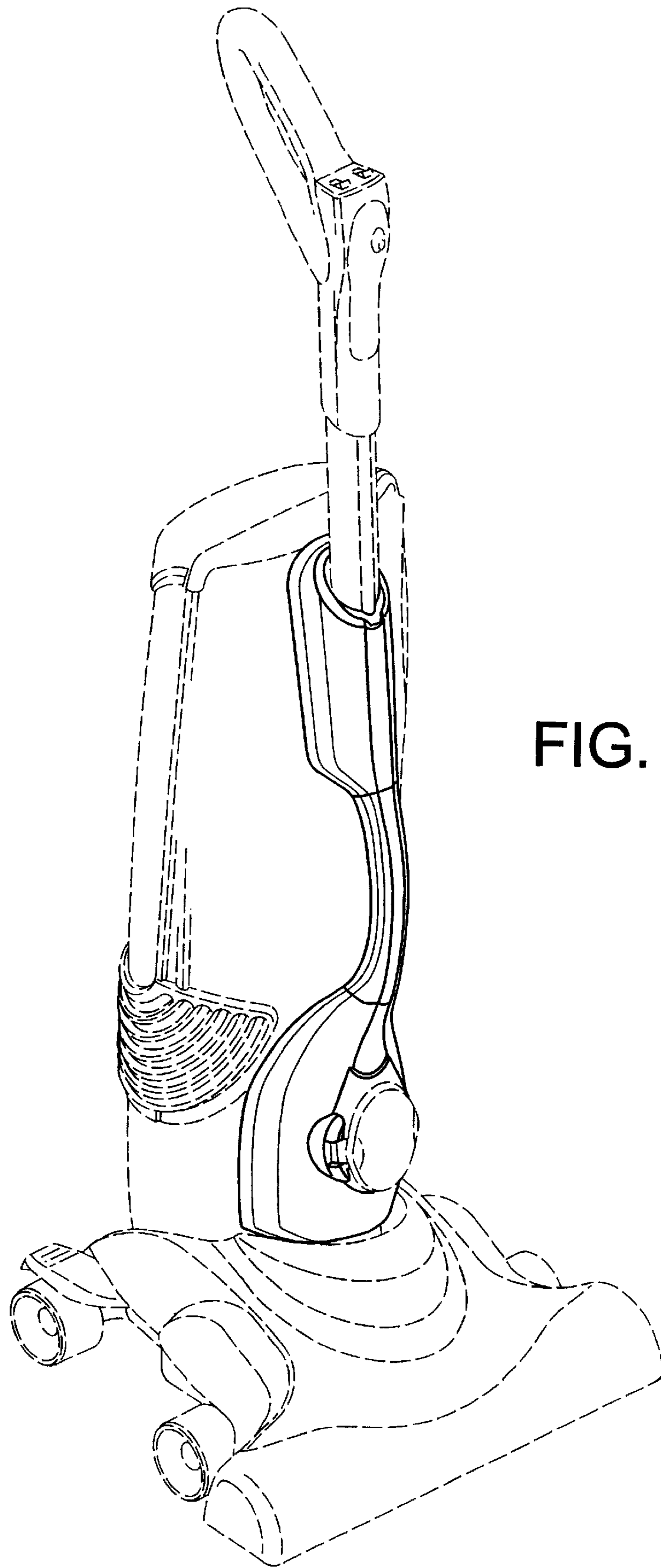


FIG. 1

FIG. 2

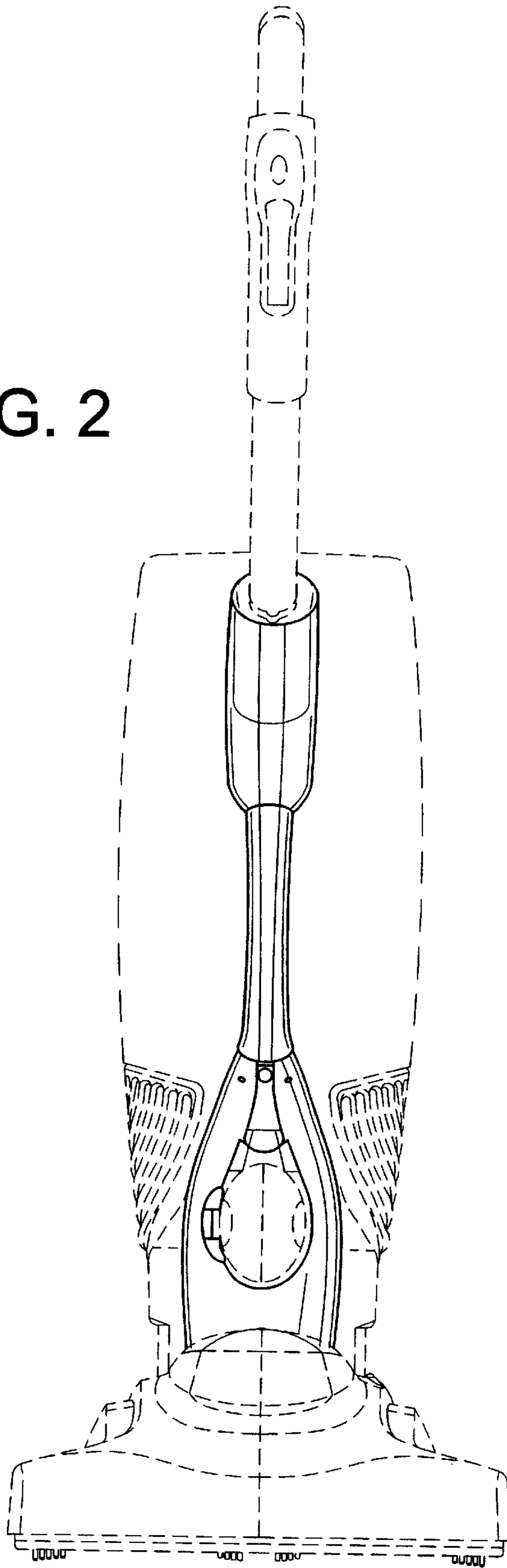
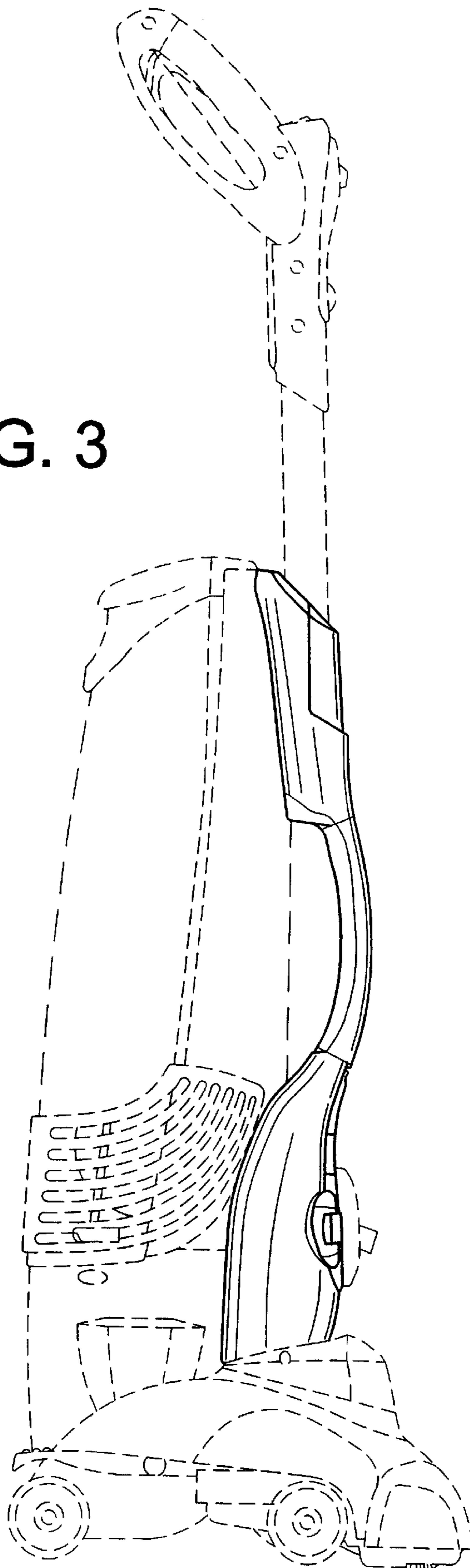


FIG. 3



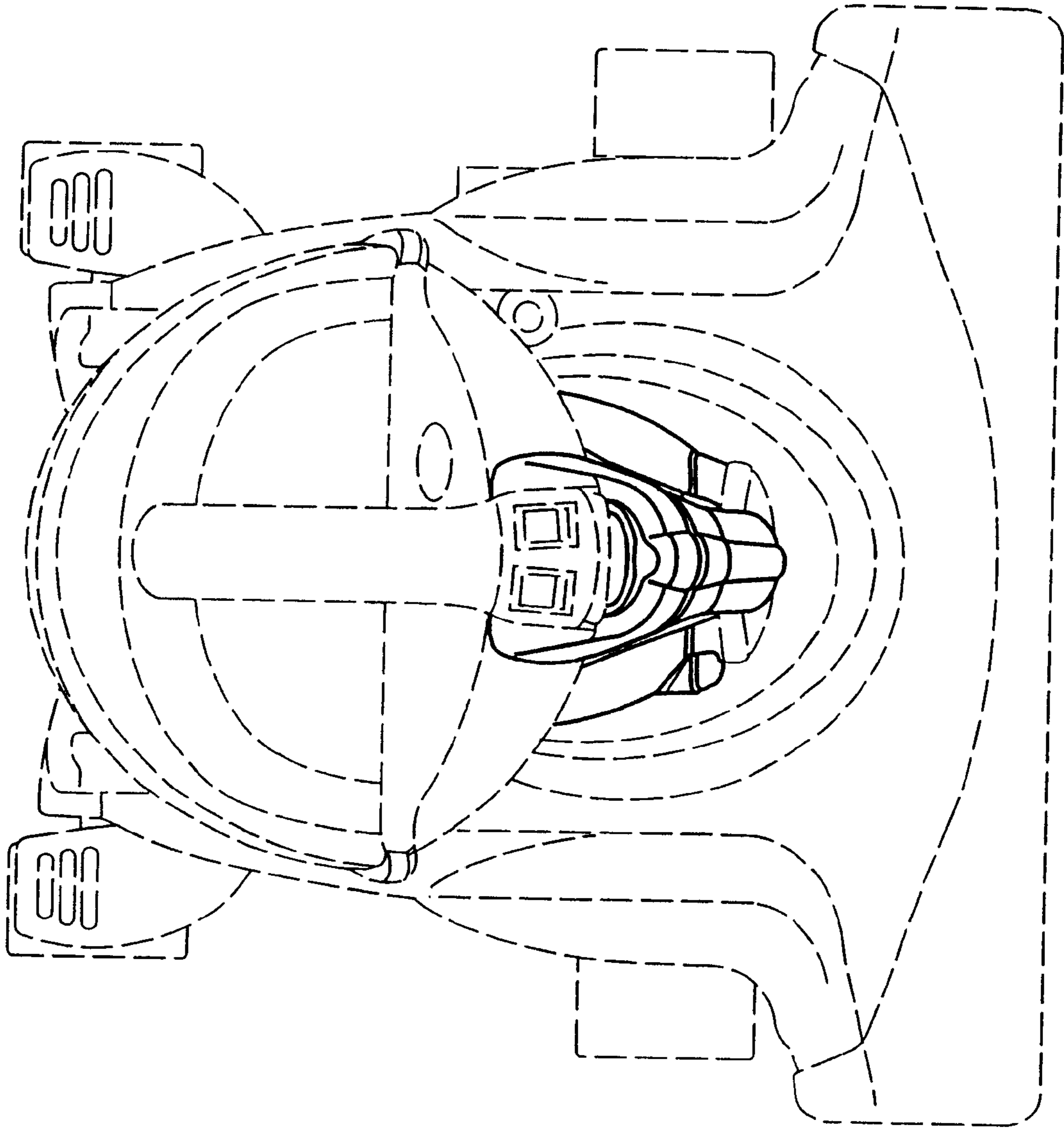


FIG. 4

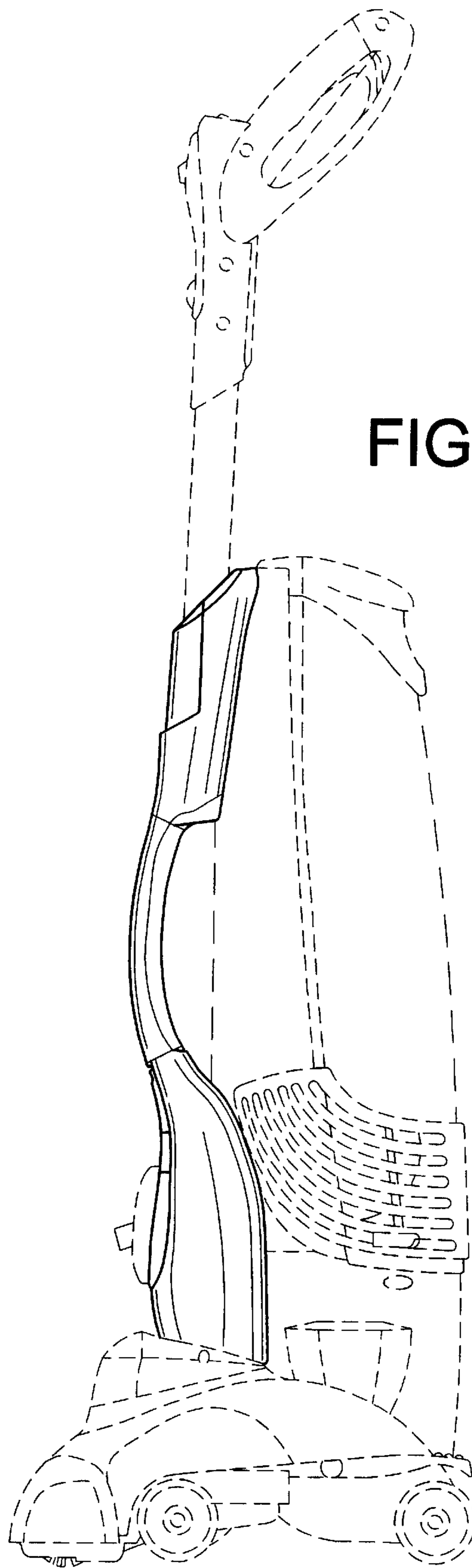


FIG. 5