



US00D480850S

(12) **United States Design Patent**
Lamb et al.

(10) **Patent No.: US D480,850 S**

(45) **Date of Patent: ** Oct. 14, 2003**

(54) **VACUUM CLEANER HEAD**

(75) Inventors: **Dennis Thomas Lamb**, Long Beach, MS (US); **Chris M. Paterson**, Biloxi, MS (US); **Javier Verdura**, Milford, CT (US)

(73) Assignee: **Oreck Holdings, LLC**, Cheyenne, WY (US)

(**) Term: **14 Years**

(21) Appl. No.: **29/152,296**

(22) Filed: **Dec. 14, 2001**

(51) **LOC (7) Cl. 15-05**

(52) **U.S. Cl. D32/32**

(58) **Field of Search D32/31-33, 22, D32/25; 15/322, 327.1-327.7, 329, 362, 393, 400, 415.1-422.1**

(56) **References Cited**

U.S. PATENT DOCUMENTS

- D189,394 S * 12/1960 Belicka et al. D32/33
- D222,631 S * 11/1971 Gaudry D32/33
- D230,345 S * 2/1974 Brown et al. D32/32
- D257,255 S * 10/1980 Robinson D32/33

- D257,256 S * 10/1980 Robinson D32/33
- D262,708 S * 1/1982 Essex D32/21
- 4,996,737 A * 3/1991 Madru, Sr. 15/366
- D318,542 S * 7/1991 Funatsu et al. D32/32
- D456,965 S * 5/2002 Paterson et al. D32/32
- D456,966 S * 5/2002 Paterson et al. D32/32

* cited by examiner

Primary Examiner—Ruth McInroy

(74) *Attorney, Agent, or Firm*—Duft Setter Ollila & Bornsen LLC

(57) **CLAIM**

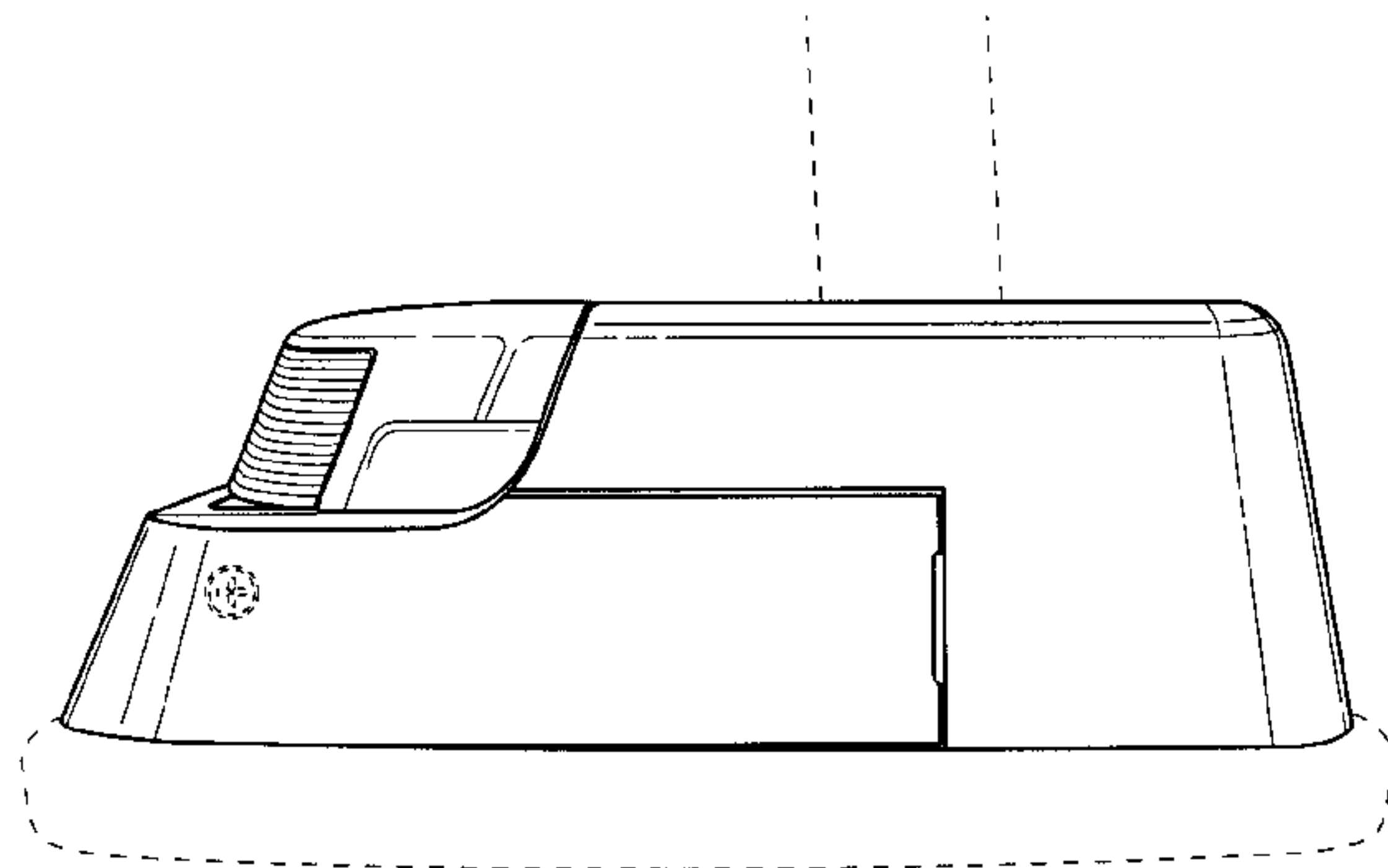
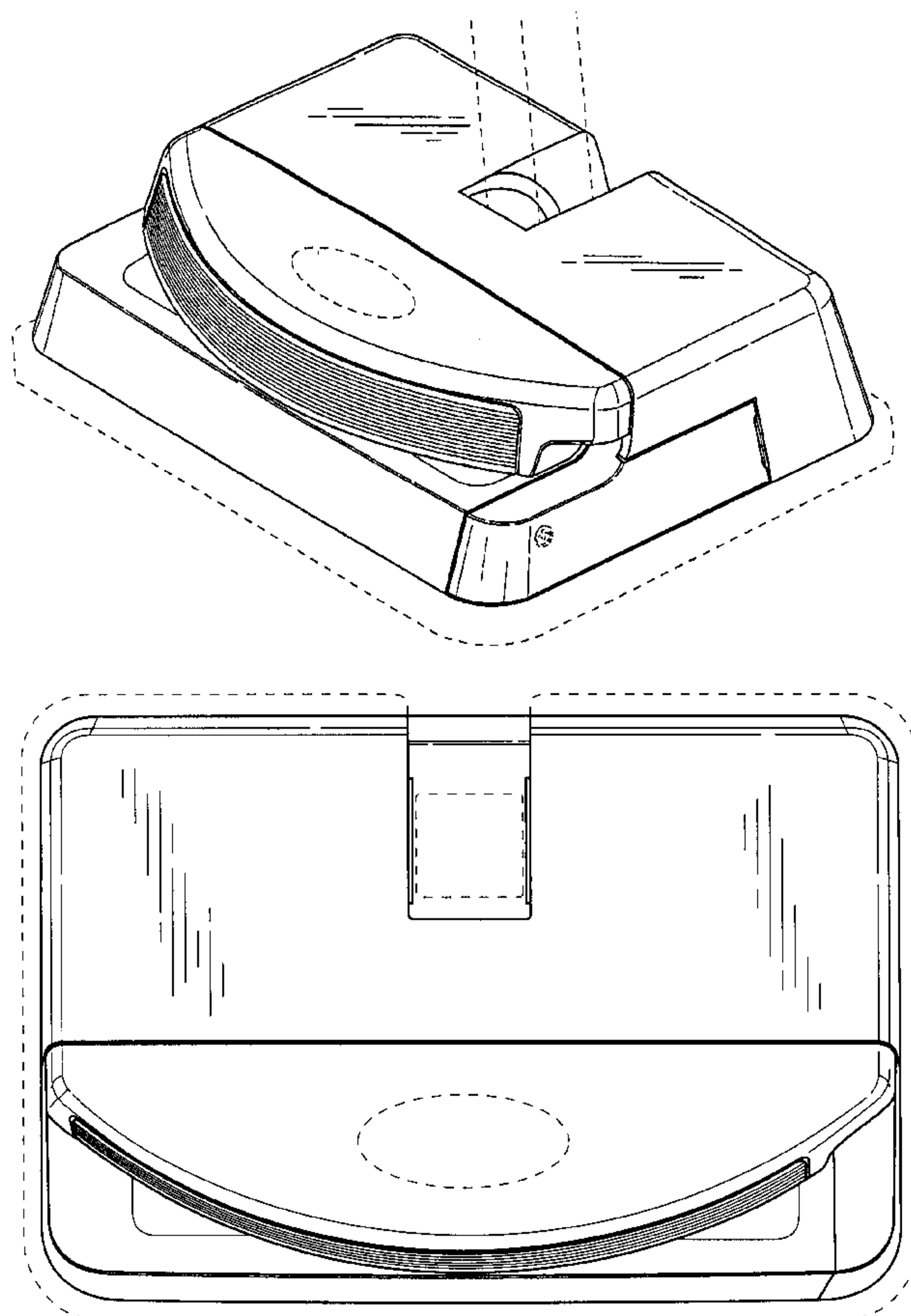
The Ornamental Design for a vacuum cleaner head, as shown and described.

DESCRIPTION

FIG. 1 is a front perspective view of a vacuum cleaner head showing our new design;
 FIG. 2 is a front view of FIG. 1;
 FIG. 3 is a top view of FIG. 1;
 FIG. 4 is a rear view of FIG. 1;
 FIG. 5 is a right side view of FIG. 1; and,
 FIG. 6 is a left side view of FIG. 1.

The broken line disclosure is for illustrative purposes only and forms no part of the claimed design.

1 Claim, 3 Drawing Sheets



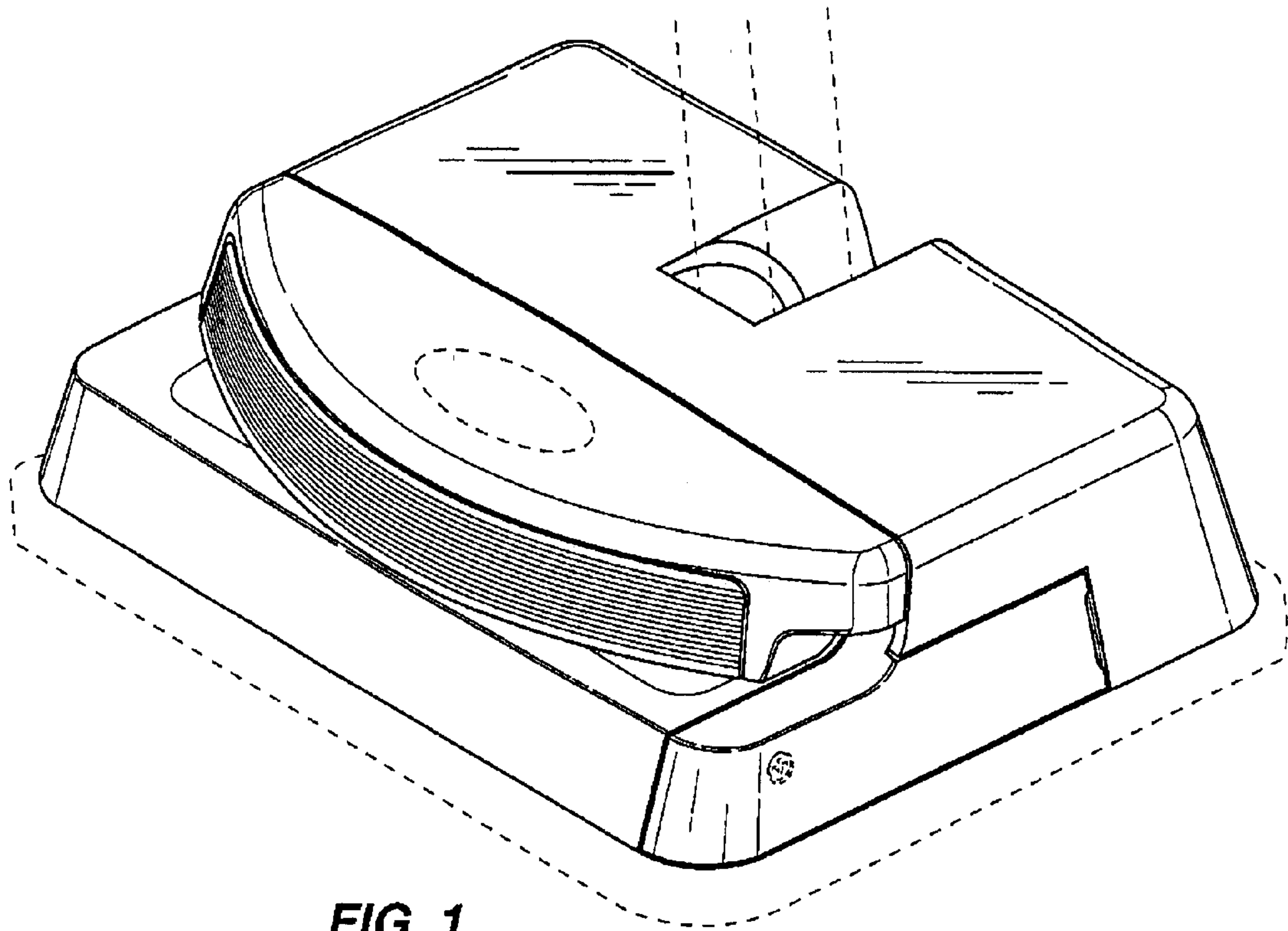


FIG. 1

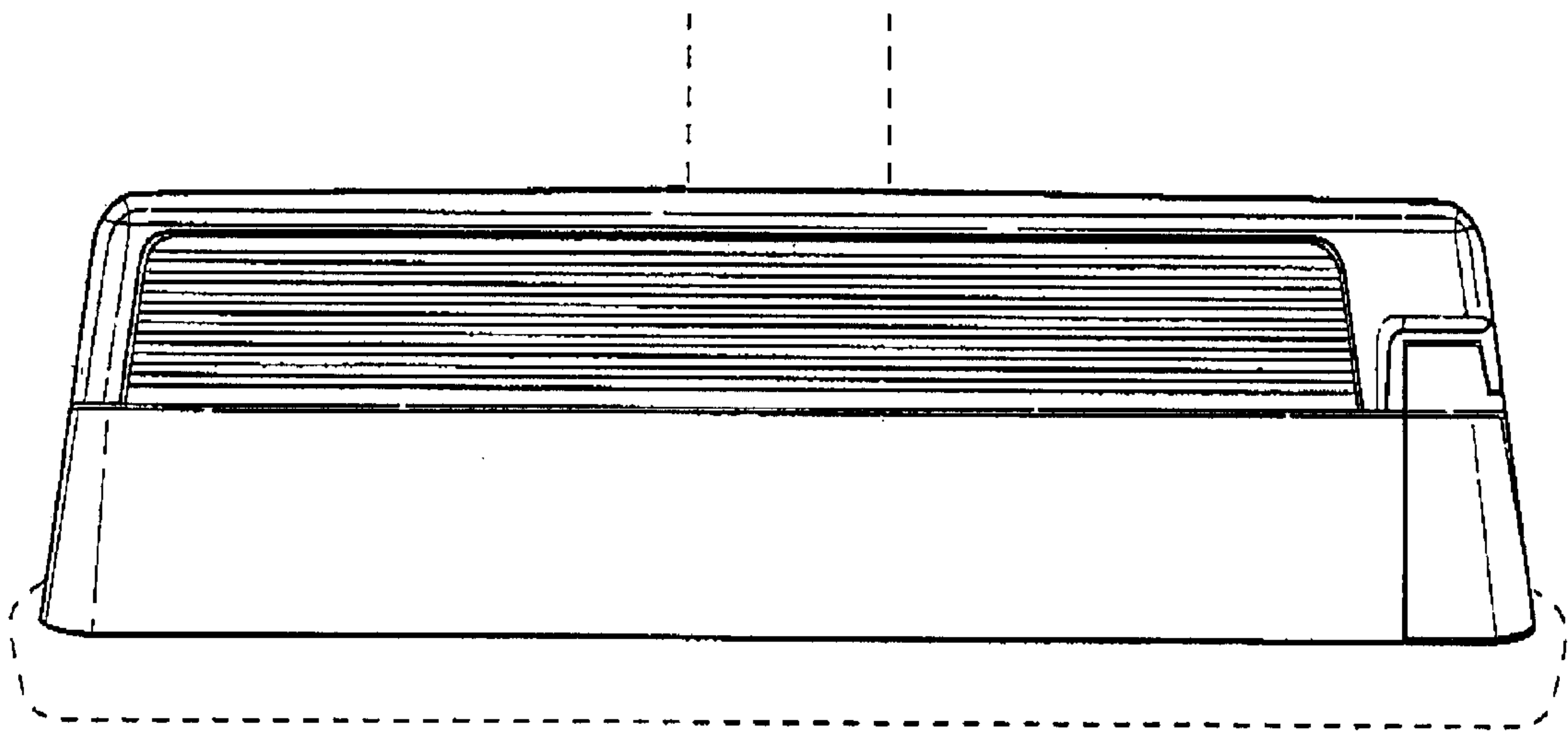


FIG. 2

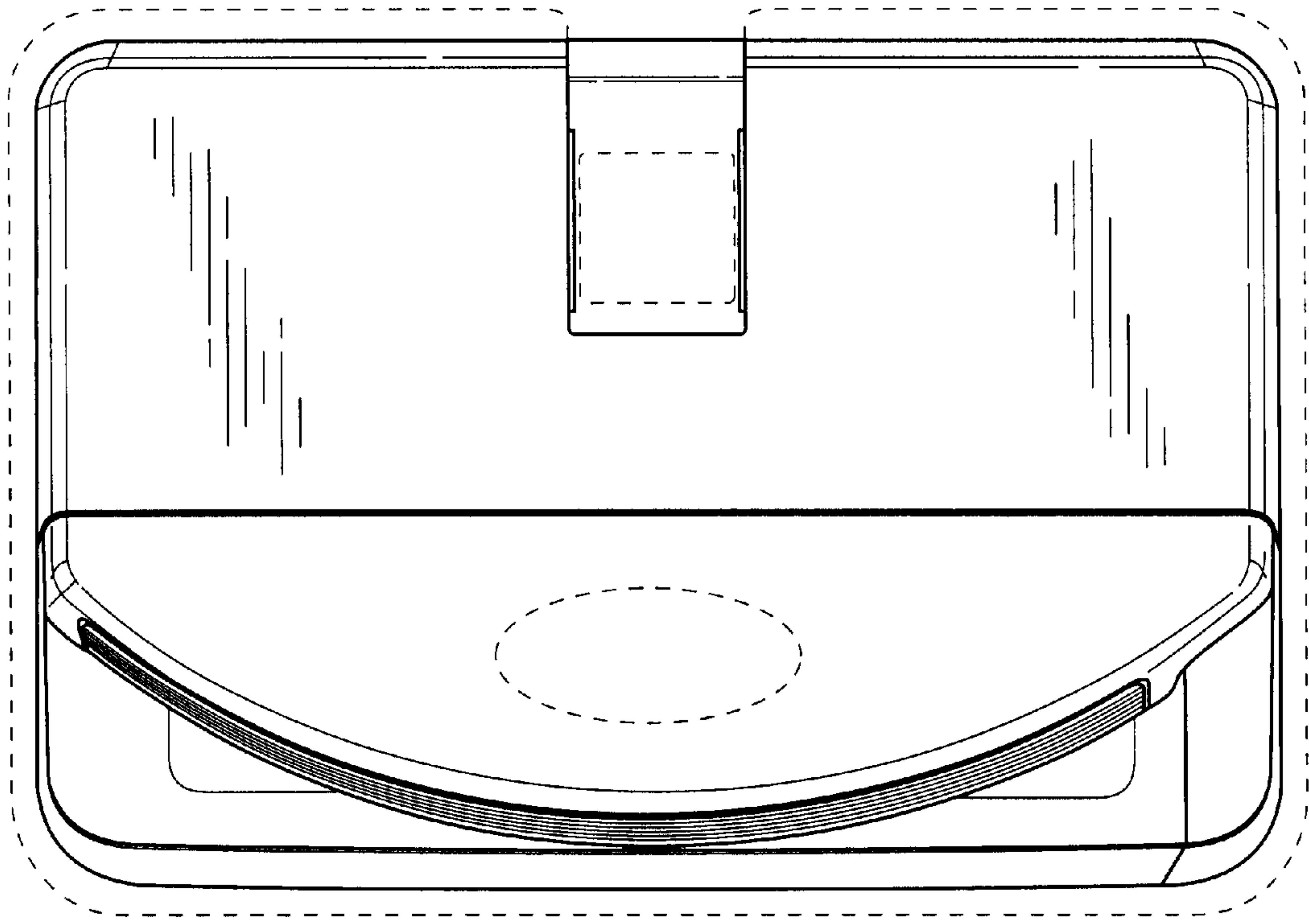


FIG. 3

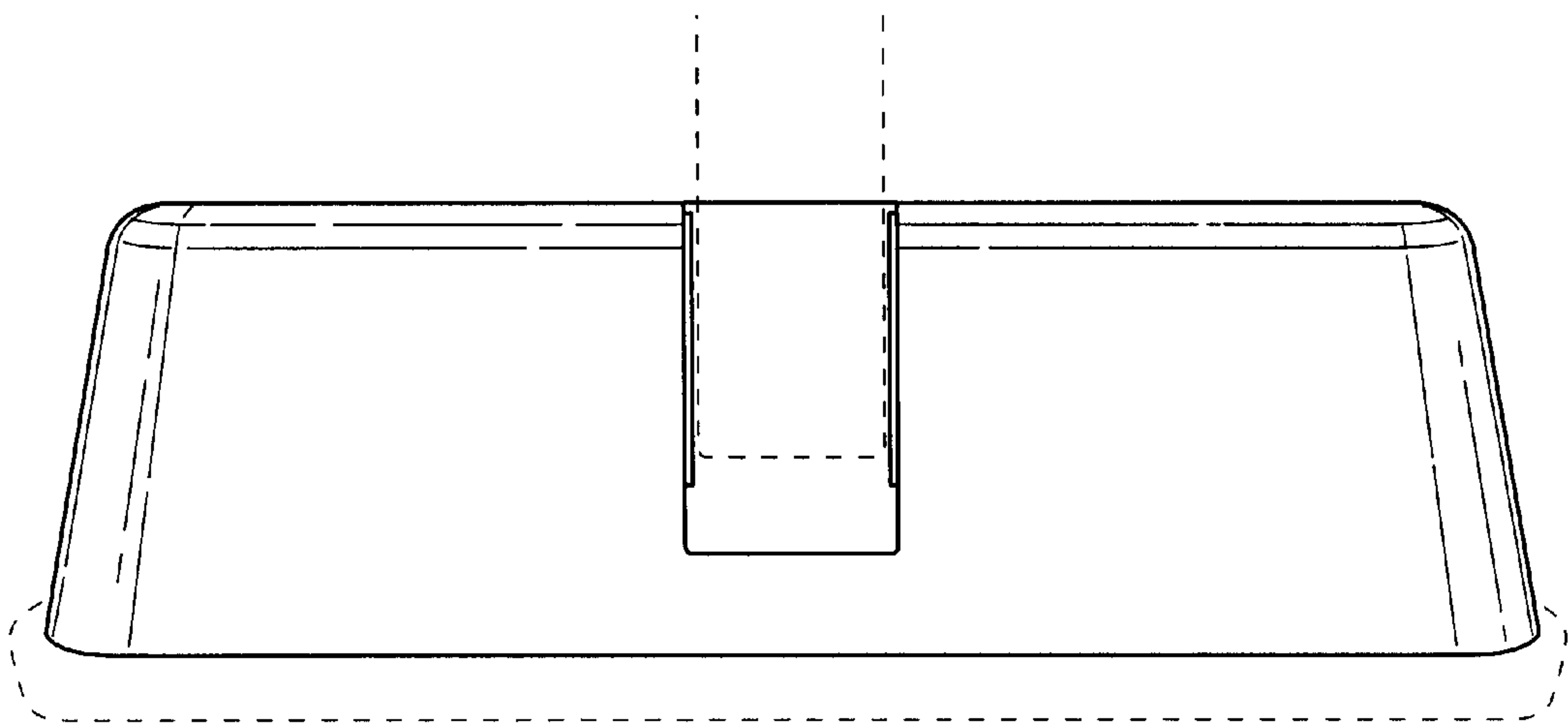


FIG. 4

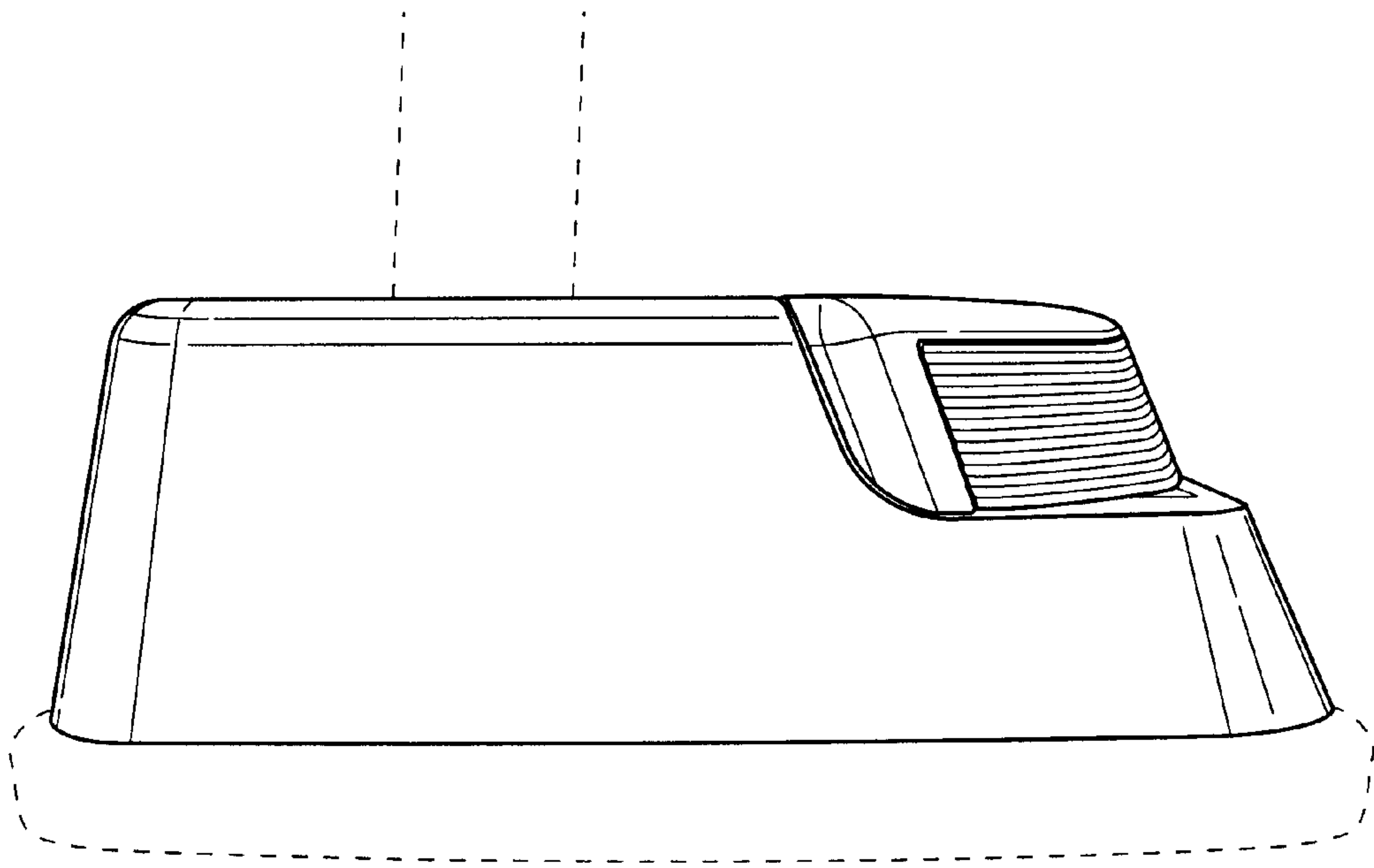


FIG. 5

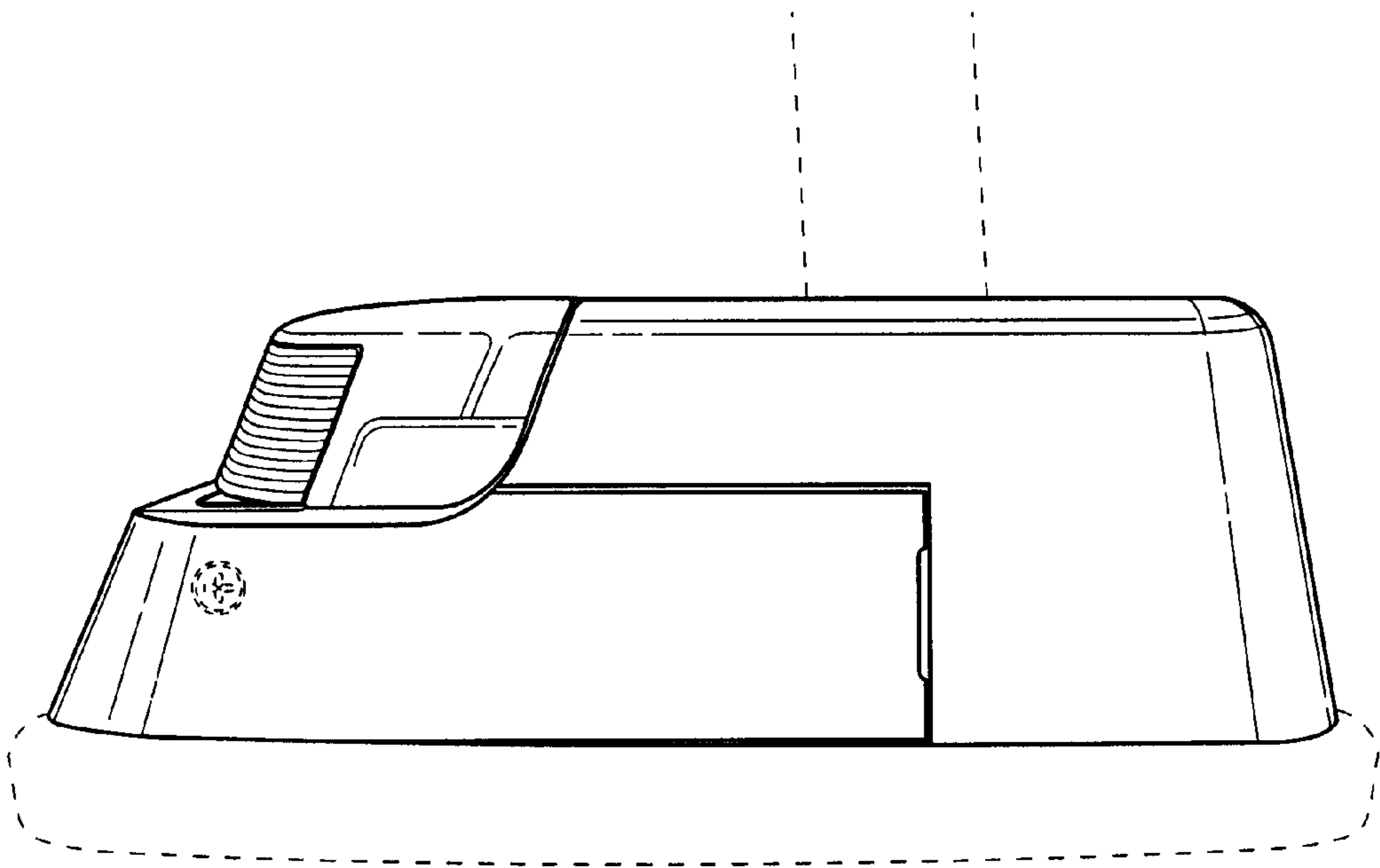


FIG. 6