



US00D480849S

(12) **United States Design Patent**
Stephens et al.

(10) **Patent No.:** **US D480,849 S**

(45) **Date of Patent:** **** Oct. 14, 2003**

(54) **GRILL CONSTRUCTION FOR VACUUM CLEANER**

(75) **Inventors:** **Paul D. Stephens**, Twinsburg, OH (US); **Robert A. Salo**, Mentor, OH (US); **Mark E. Cipolla**, Chardon, OH (US); **Craig J. Barbeck**, North Royalton, OH (US); **Jeffrey M. Kalman**, Cleveland Heights, OH (US); **Craig M. Saunders**, Rocky River, OH (US); **David J. Boll**, Avon, OH (US)

(73) **Assignee:** **Royal Appliance Mfg. Co.**, Glenwillow, OH (US)

(**) **Term:** **14 Years**

(21) **Appl. No.:** **29/166,120**

(22) **Filed:** **Aug. 22, 2002**

(51) **LOC (7) Cl.** **15-05**

(52) **U.S. Cl.** **D32/31**

(58) **Field of Search** D32/21-22, 15-16, D32/30-34, 38-39; 15/347, 350-353, 349, 335, 361; 55/337, 429, DIG. 3

(56) **References Cited**

U.S. PATENT DOCUMENTS

D309,807 S	8/1990	Sovis et al.
D319,517 S	8/1991	Sovis et al.
D358,236 S	5/1995	Kopco et al.
D359,604 S	6/1995	Sovis et al.

5,606,770 A	3/1997	Sovis et al.
D403,480 S	* 12/1998	Diebel D32/22
D405,929 S	2/1999	Sovis et al.
D413,698 S	* 9/1999	Dyson D32/22
D418,265 S	12/1999	Farone et al.
6,003,196 A	12/1999	Wright et al.
D429,392 S	* 8/2000	Maruyama et al. D32/22
D430,961 S	* 9/2000	Bobrosky et al. D32/22
D460,227 S	* 7/2002	Leyden D32/31

* cited by examiner

Primary Examiner—Ruth McInroy

(74) *Attorney, Agent, or Firm*—Fay, Sharpe, Fagan, Minnich & McKee, LLP

(57) **CLAIM**

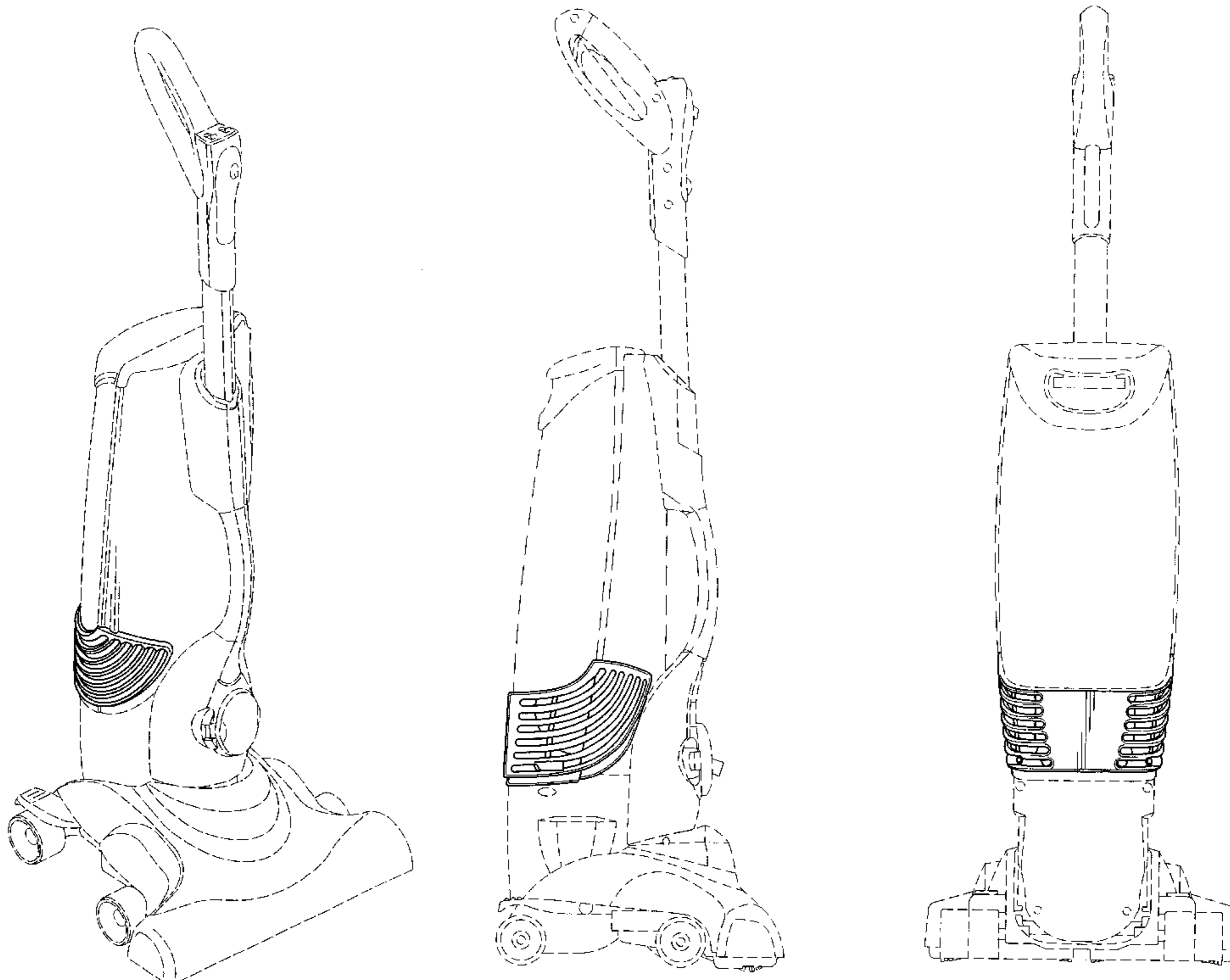
The ornamental design for a grill construction for a vacuum cleaner, as shown and described.

DESCRIPTION

FIG. 1 is a perspective view of a grill construction for a vacuum cleaner showing our new design; FIG. 2 is a front elevational view thereof; FIG. 3 is a left side elevational view thereof, with the right side elevational view being a mirror image thereof; FIG. 4 is a rear elevational view thereof; FIG. 5 is an enlarged top plan view thereof; and, FIG. 6 is an enlarged bottom plan view thereof.

The parts shown in broken lines in FIGS. 1-6 are shown for illustrative purposes only and form no part of the claimed design.

1 Claim, 5 Drawing Sheets



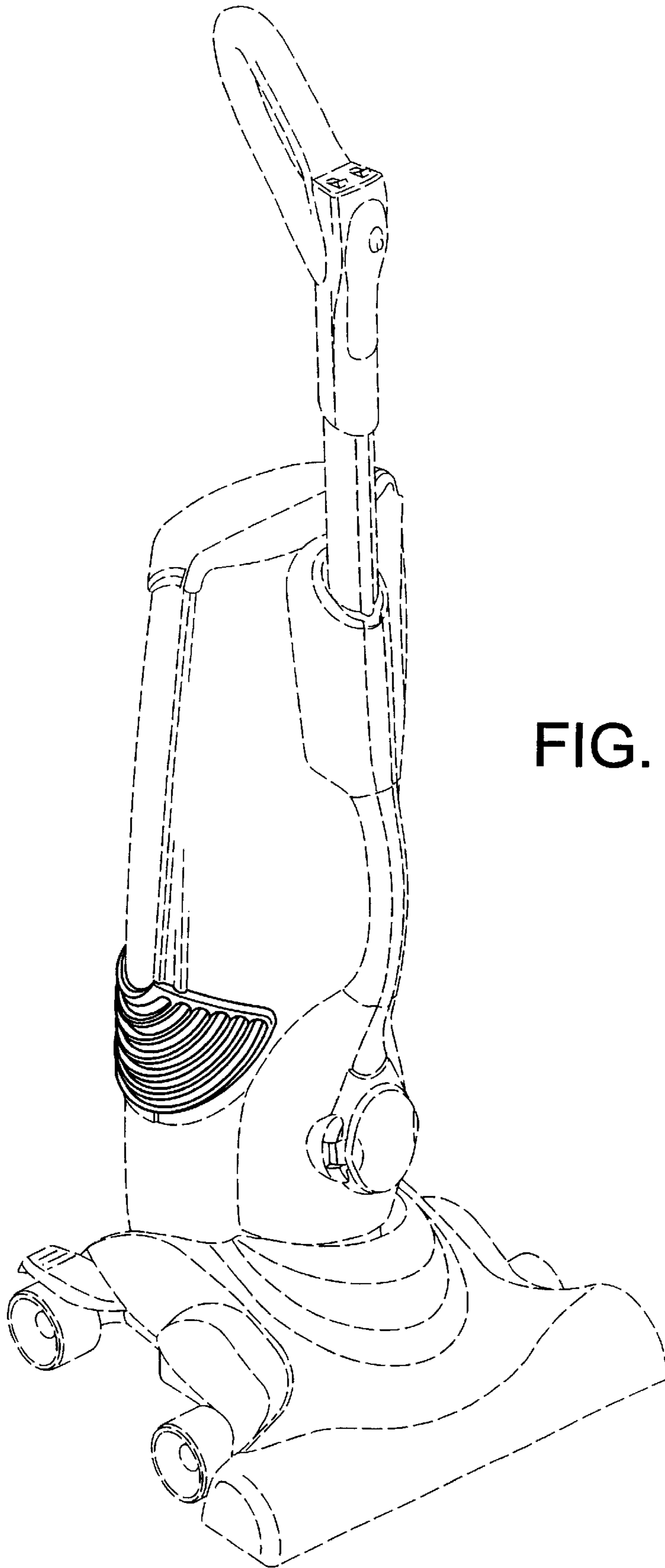


FIG. 1

FIG. 2

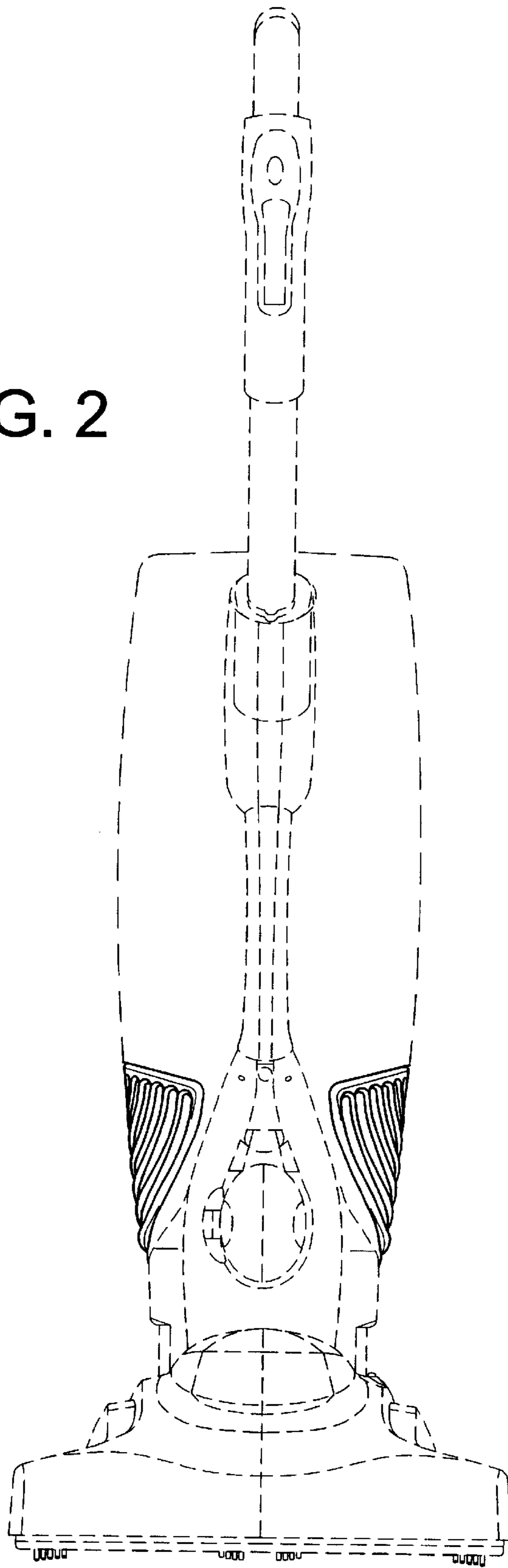


FIG. 3

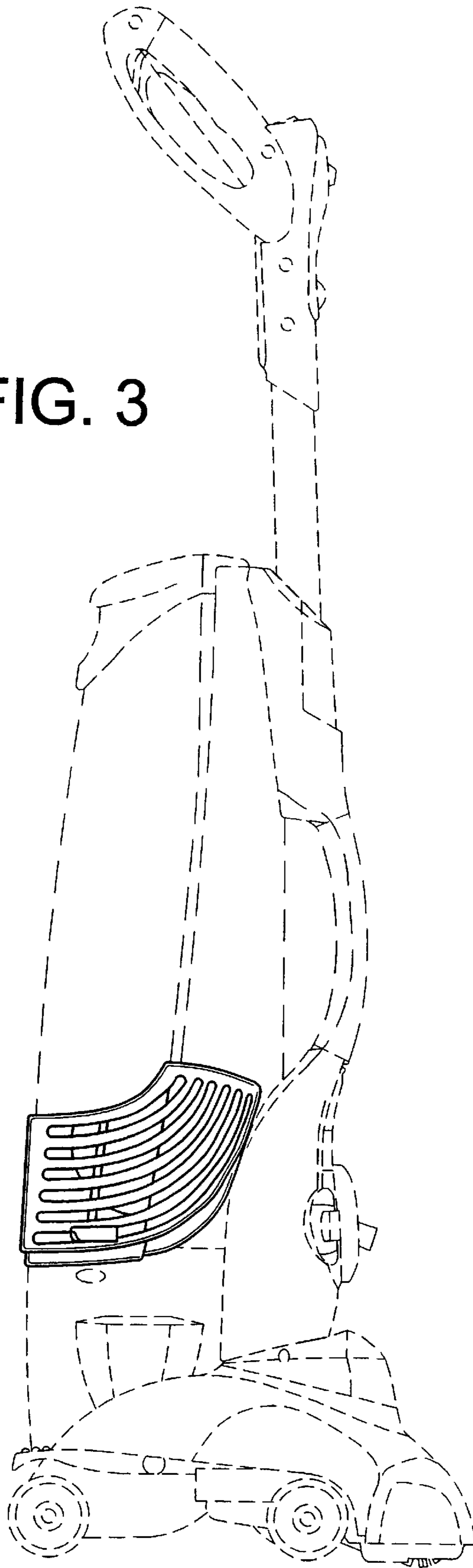
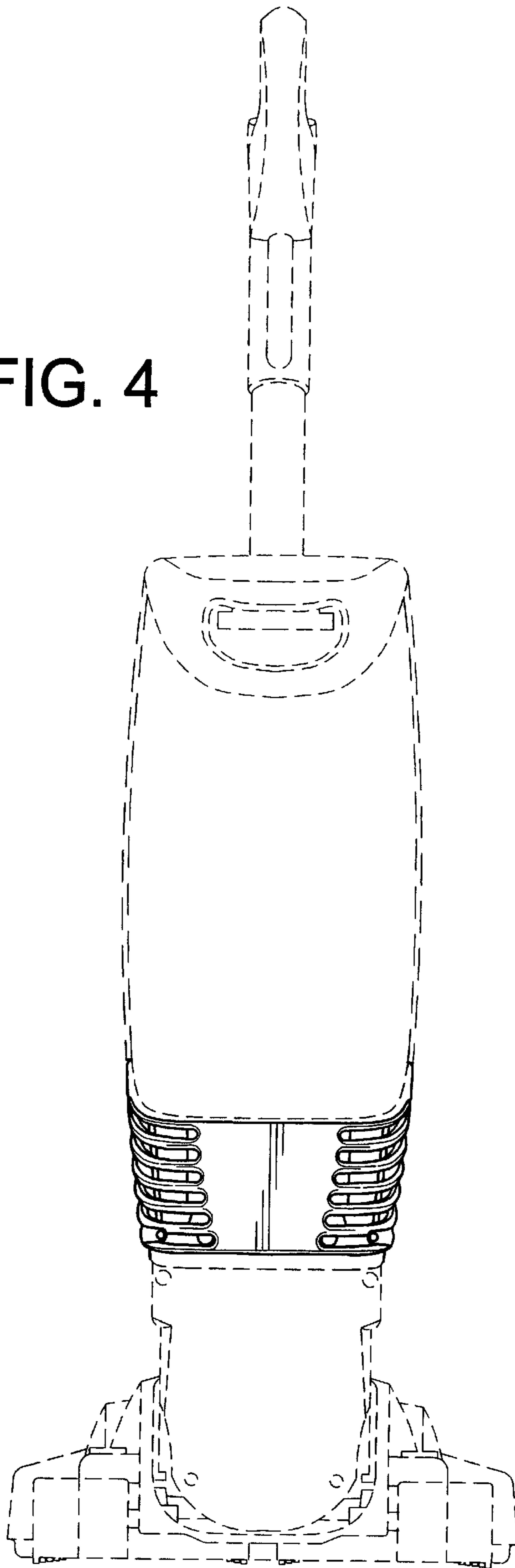


FIG. 4



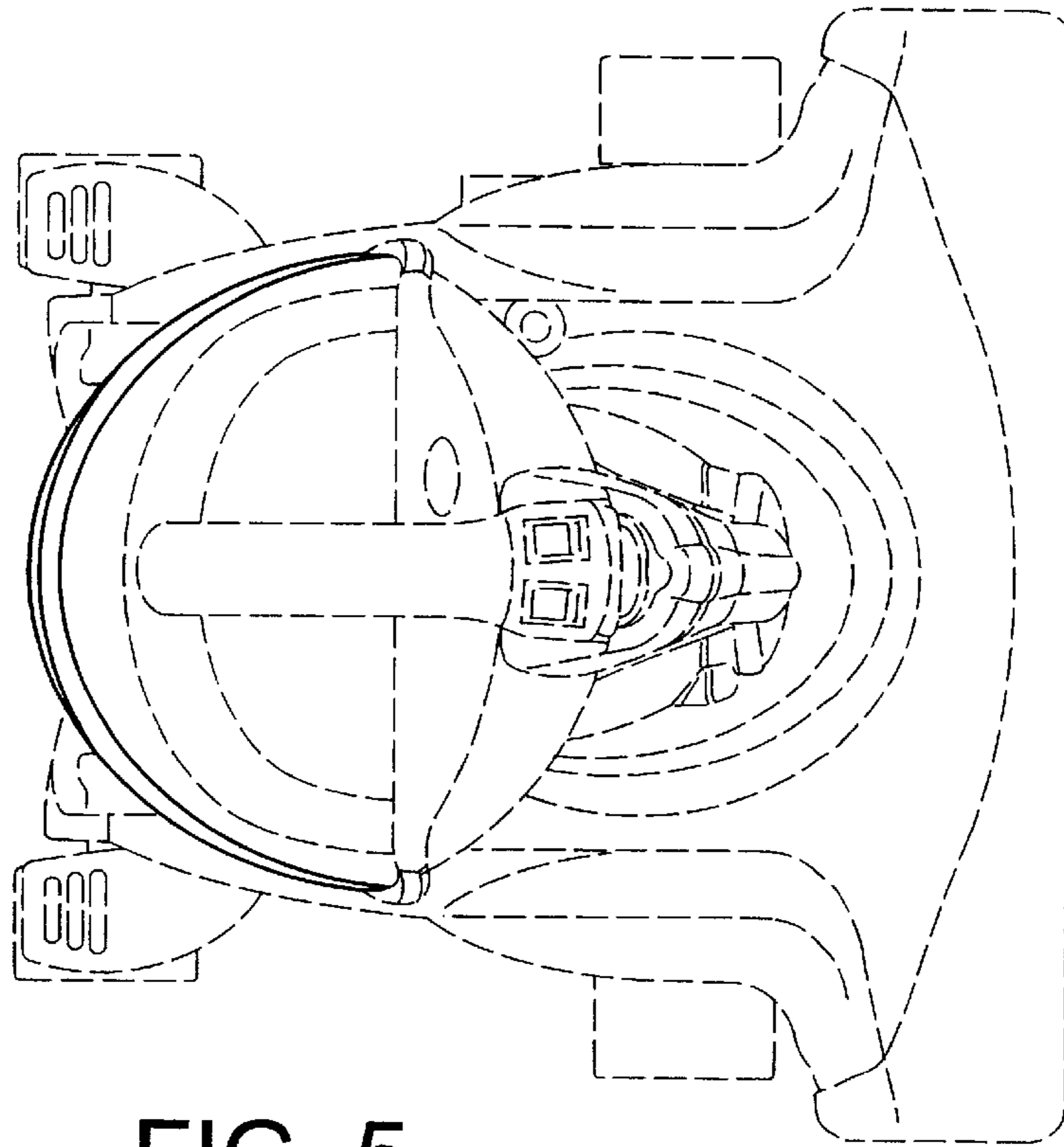


FIG. 5

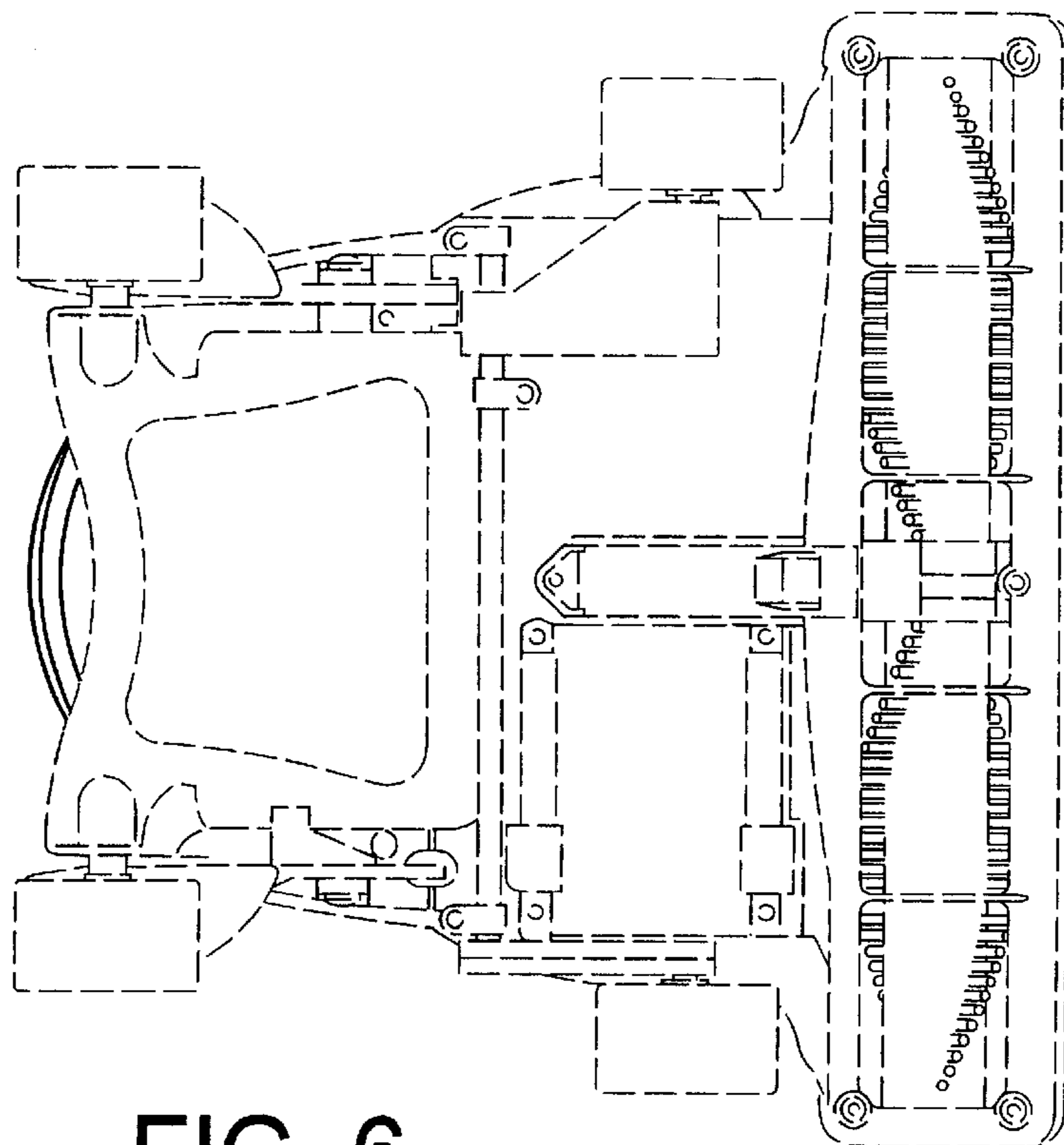


FIG. 6