



US00D480848S

(12) **United States Design Patent**
Smith et al.

(10) **Patent No.:** **US D480,848 S**

(45) **Date of Patent:** **** Oct. 14, 2003**

(54) **HAND WAND FOR VACUUM CLEANER**

(75) Inventors: **James F. Smith**, Louisville, OH (US);
Wesley A. Schroeder, Seville, OH (US)

(73) Assignee: **H-P Products, Inc.**, Louisville, OH (US)

(**) Term: **14 Years**

(21) Appl. No.: **29/160,795**

(22) Filed: **May 14, 2002**

(51) **LOC (7) Cl.** **15-05**

(52) **U.S. Cl.** **D32/31**

(58) **Field of Search** D32/31, 21; 15/314,
15/377, 321, 329, 327.1, 312.2; 285/7;
174/47; 439/191

(56) **References Cited**

U.S. PATENT DOCUMENTS

2,953,806 A	9/1960	Walker	
3,173,164 A	3/1965	Congdon	
D217,285 S	* 4/1970	Anderson D32/31
4,079,965 A	* 3/1978	Moughty et al. 285/7
4,422,702 A	* 12/1983	Nordeen 439/191
4,462,649 A	7/1984	Medford et al.	
4,494,270 A	1/1985	Ritzau et al.	
4,998,317 A	* 3/1991	Passien 15/321

5,740,583 A	4/1998	Shimada et al.	
5,836,620 A	* 11/1998	Wang et al. 285/7
6,148,474 A	11/2000	Ohara et al.	
6,324,722 B1	12/2001	Takemoto	
D453,866 S	* 2/2002	Nighy et al. D32/31
6,486,396 B2	* 11/2002	Stein 174/47

* cited by examiner

Primary Examiner—Ruth McInroy

(74) *Attorney, Agent, or Firm*—Sand & Sebolt

(57) **CLAIM**

The ornamental design for the hand wand for vacuum cleaner, as shown and described.

DESCRIPTION

FIG. 1 is a perspective view of a hand wand for vacuum cleaner showing my new design, the broken lines are for illustrative purposes only and form no part of the claimed design;

FIG. 2 is a top perspective view of the hand wand;

FIG. 3 is a side elevational view of the hand wand, the opposite side being a mirror image;

FIG. 4 is a top plan view of the hand wand;

FIG. 5 is a bottom plan view of the hand wand;

FIG. 6 is a left hand end view of FIG. 3; and,

FIG. 7 is a right hand end view of FIG. 3.

1 Claim, 3 Drawing Sheets

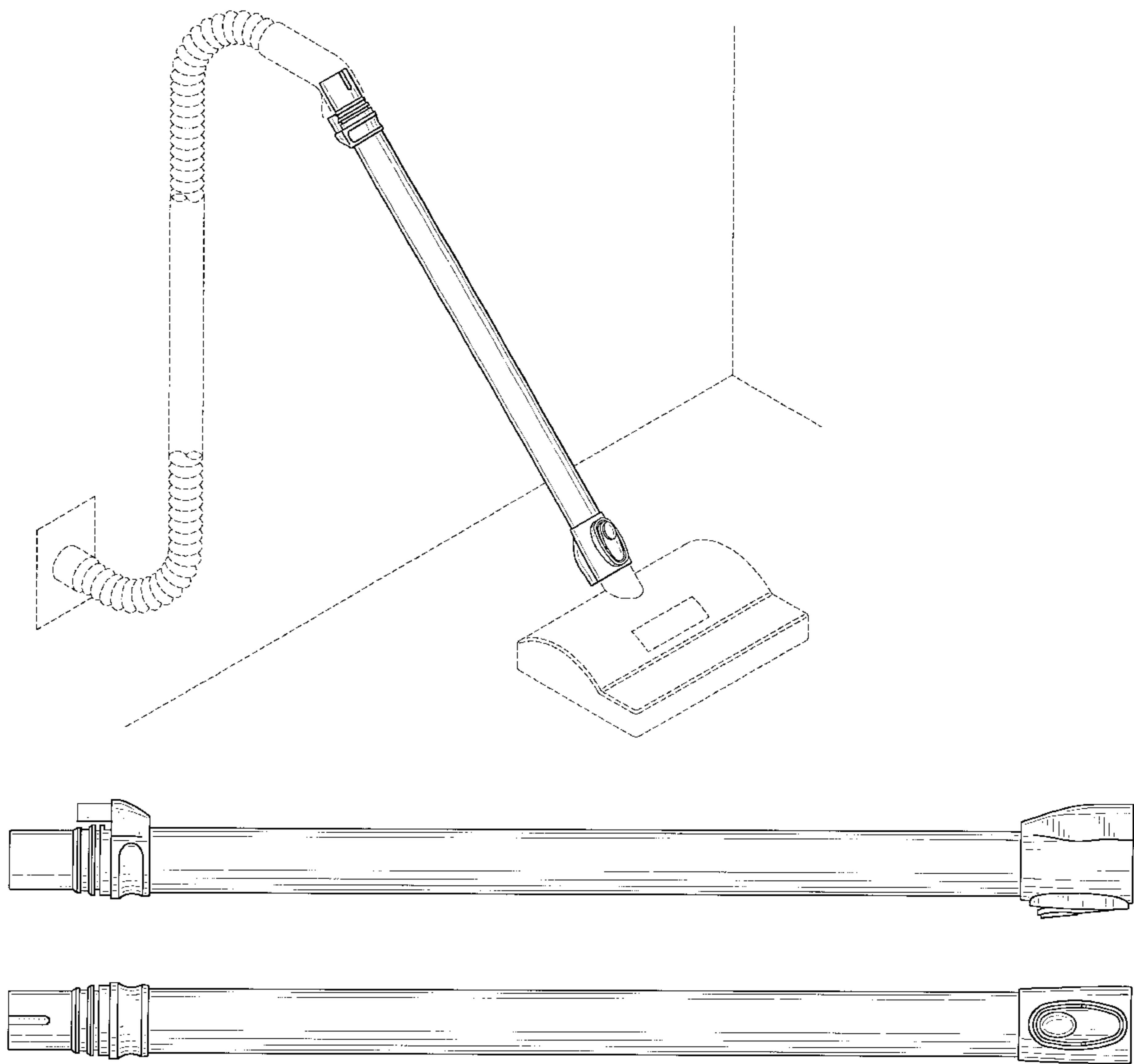
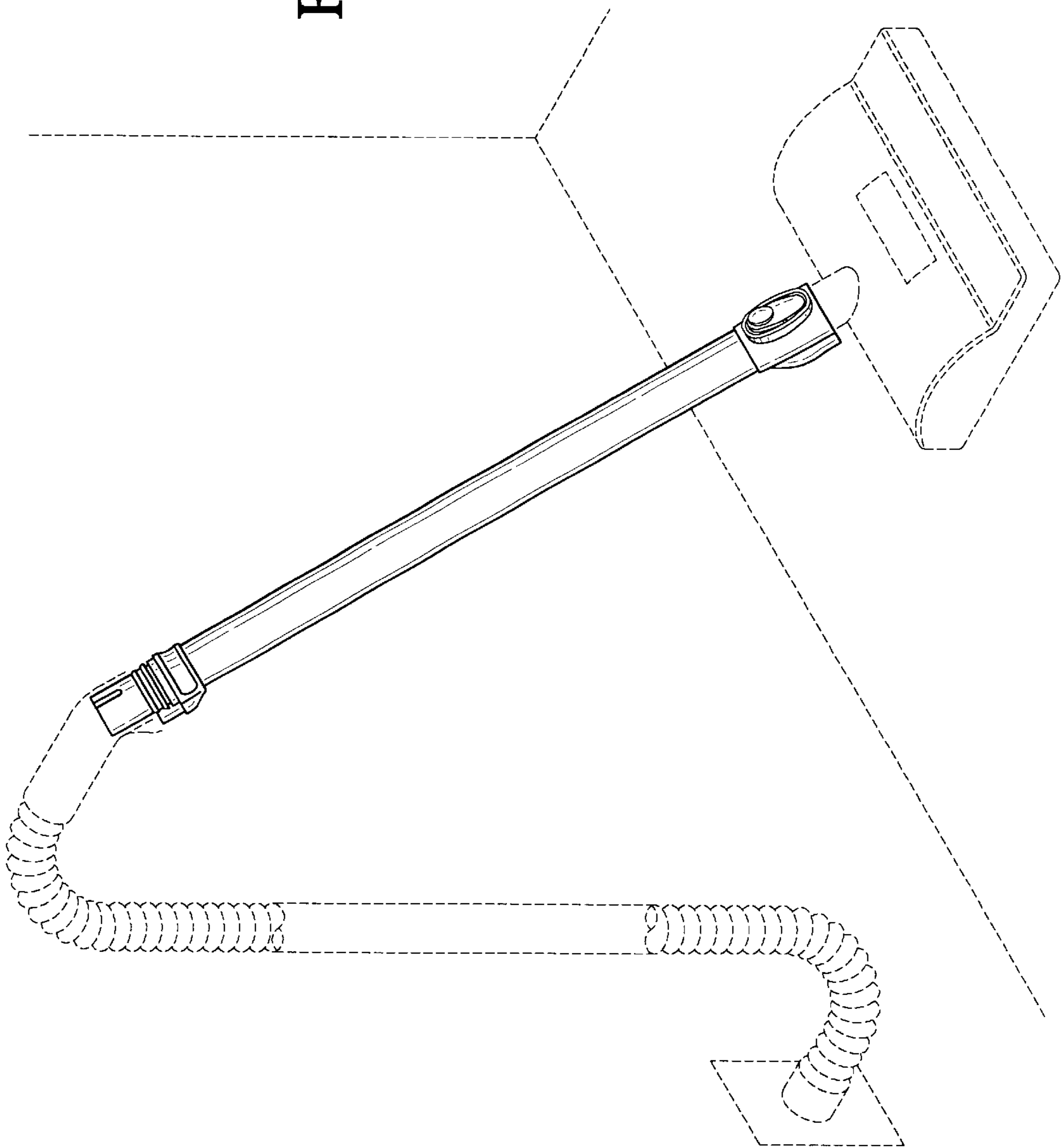


FIG-1



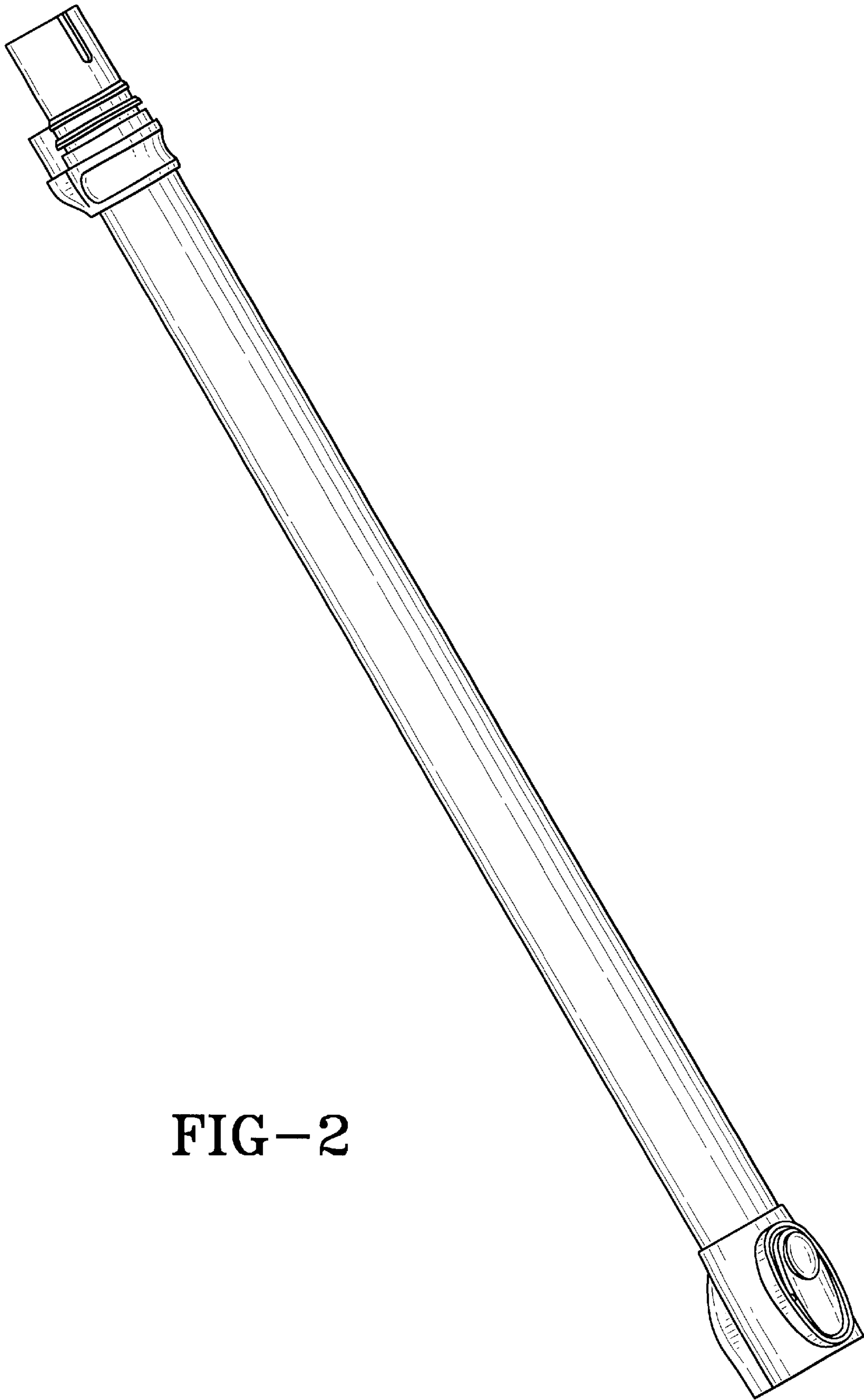


FIG-2

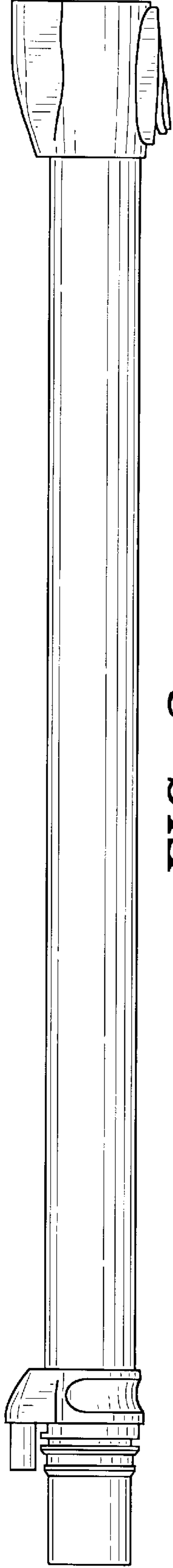


FIG-3

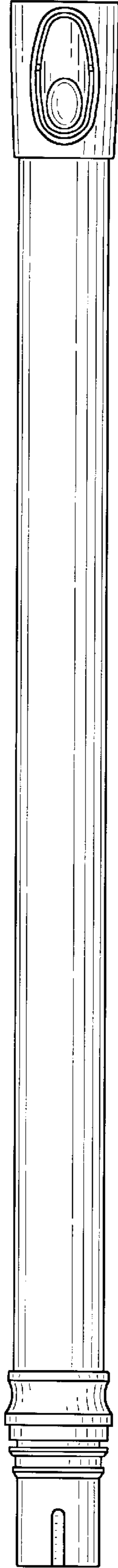


FIG-4

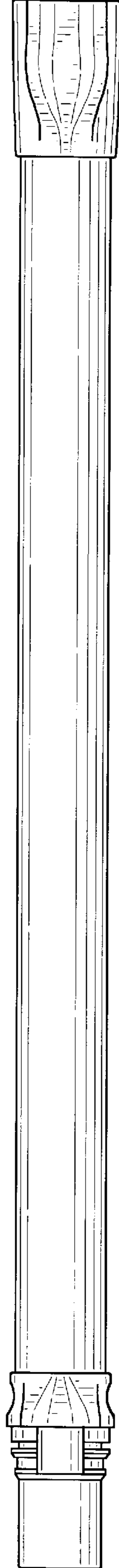


FIG-5

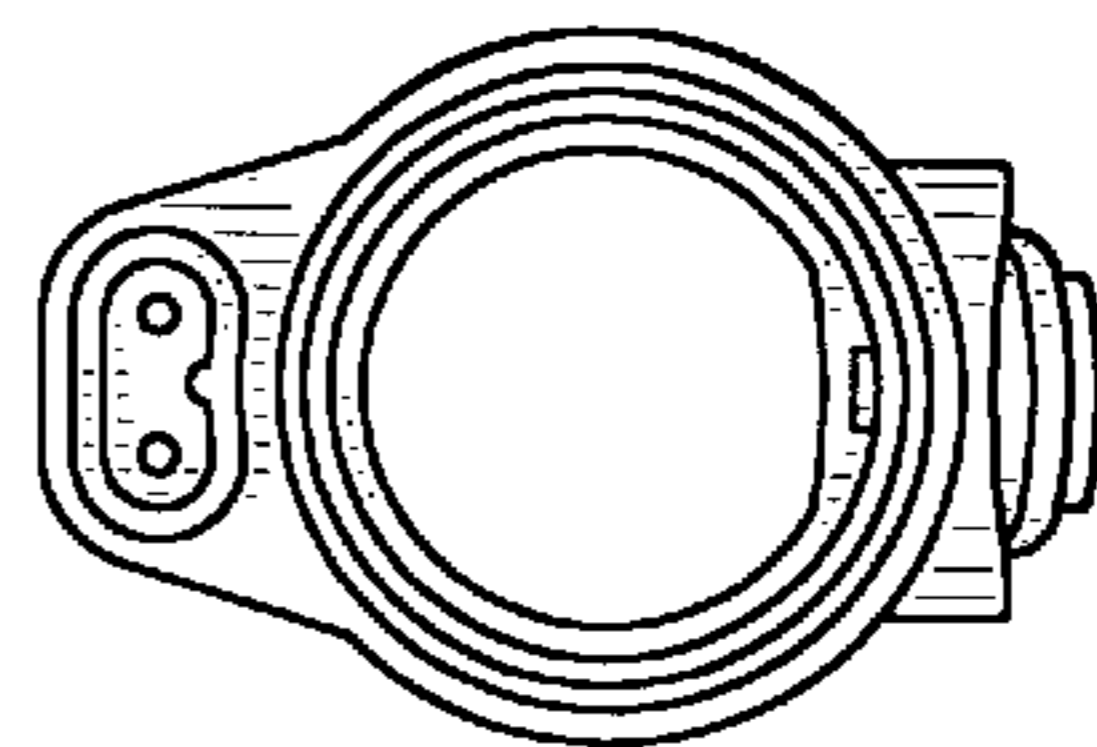


FIG-6

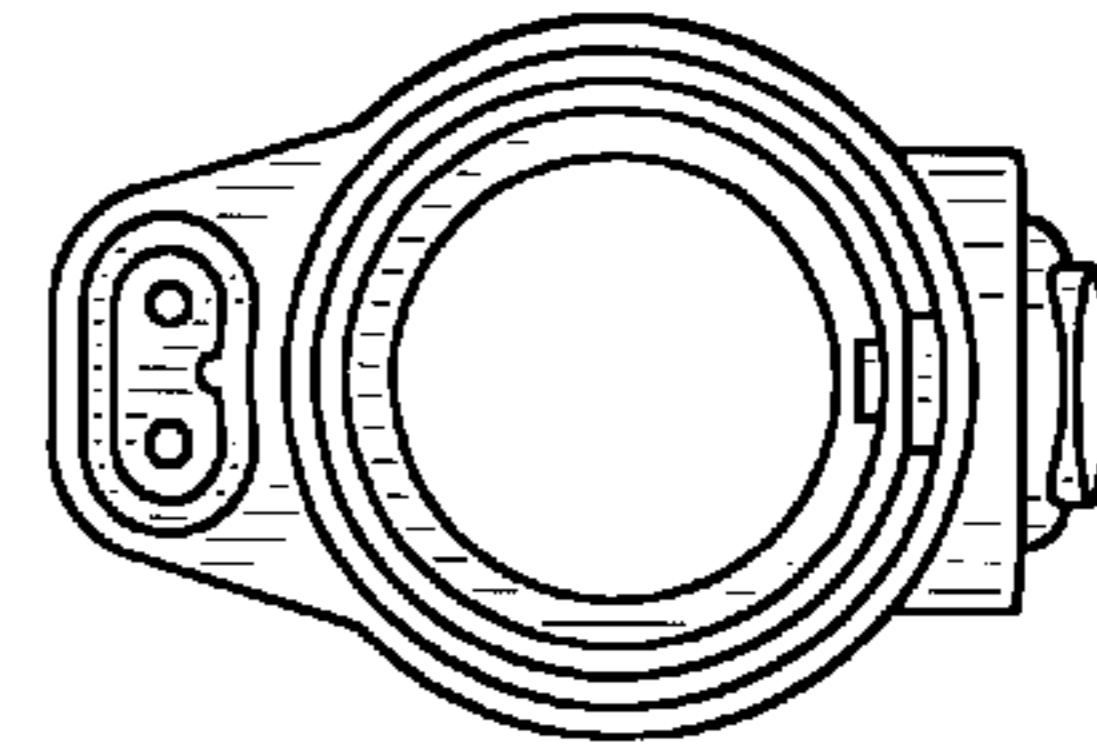


FIG-7