



US00D480847S

(12) **United States Design Patent**
Fujii

(10) **Patent No.:** **US D480,847 S**

(45) **Date of Patent:** **** Oct. 14, 2003**

(54) **VACUUM CLEANER**

(75) **Inventor:** **Nobuhiro Fujii, Osaka-fu (JP)**

(73) **Assignee:** **Sharp Kabushiki Kaisha, Osaka (JP)**

(**) **Term:** **14 Years**

(21) **Appl. No.:** **29/163,470**

(22) **Filed:** **Jul. 8, 2002**

(51) **LOC (7) Cl.** **15-05**

(52) **U.S. Cl.** **D32/22**

(58) **Field of Search** D32/17-18, 21-24,
D32/31; 15/344, 329, 320-321, 352-353,
327.1-327.7; 55/459.1-459.2, 449, DIG. 3;
95/271

(56) **References Cited**

U.S. PATENT DOCUMENTS

D325,274 S	4/1992	Ikeda	
D327,145 S	6/1992	Kuriya	
5,145,499 A	* 9/1992	Dyson	55/337
D335,556 S	5/1993	Kuriya	
D343,707 S	* 1/1994	Dyson	D32/22
D344,164 S	2/1994	Kuriya	
D346,468 S	* 4/1994	Dusinberre et al.	D32/22
D354,593 S	1/1995	Koike	
D358,913 S	5/1995	Sugiyama et al.	
D373,665 S	9/1996	Nakamura et al.	

D375,820 S	* 11/1996	Piccaluga et al.	D32/22
D383,574 S	9/1997	Saimen et al.	
D398,093 S	9/1998	Fujima	
D403,477 S	12/1998	Tsujimoto et al.	
D403,478 S	12/1998	Tsujimoto et al.	
5,842,254 A	* 12/1998	Lee	15/327.4
D436,699 S	1/2001	Makihara et al.	
D443,738 S	6/2001	Makihara et al.	
6,344,064 B1	* 2/2002	Conrad	55/337
D455,876 S	* 4/2002	Arney et al.	D32/22
6,391,095 B1	* 5/2002	Conrad et al.	95/271

* cited by examiner

Primary Examiner—Ruth McInroy

(74) *Attorney, Agent, or Firm*—Nixon & Vanderhye

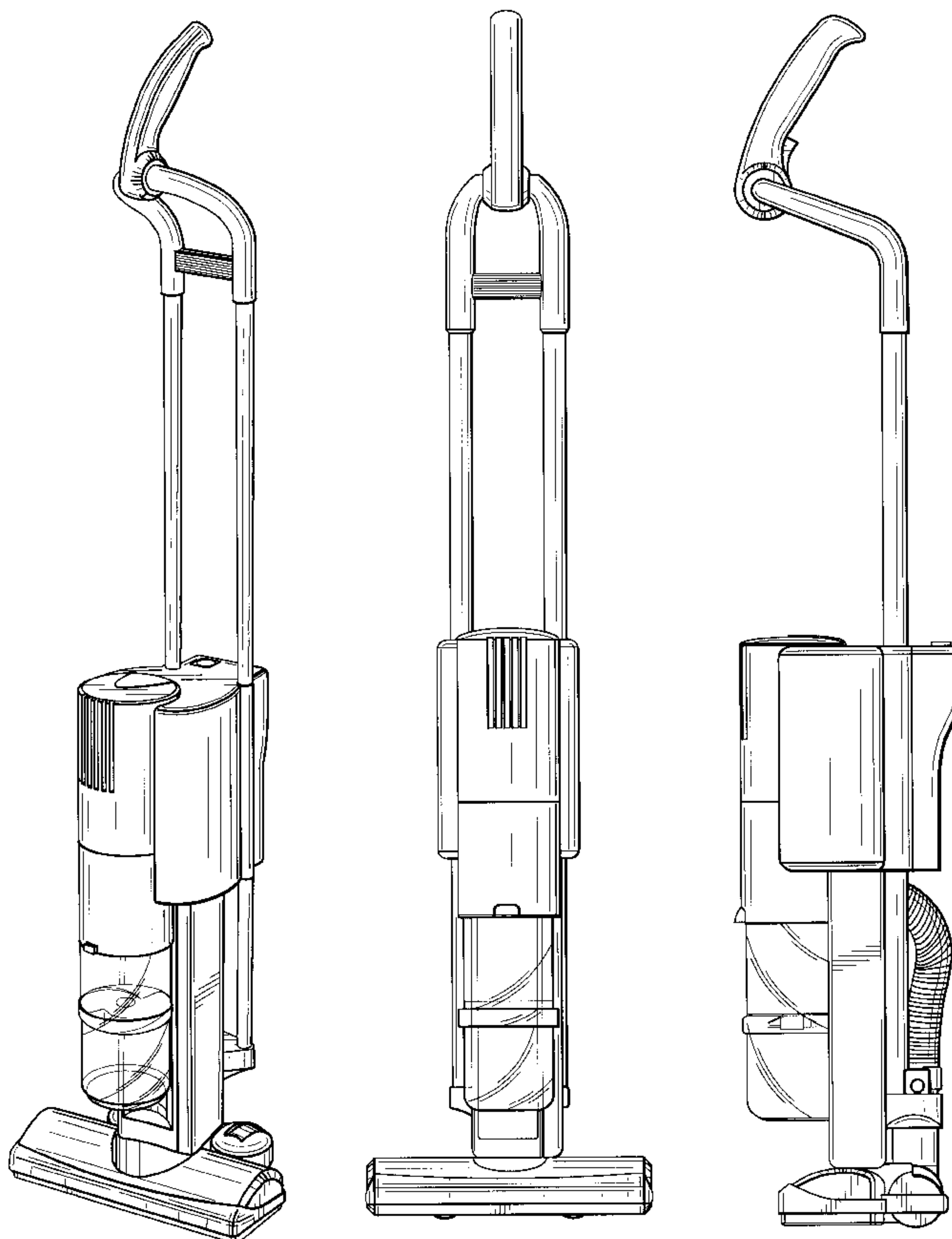
(57) **CLAIM**

The ornamental design for a vacuum cleaner, as shown and described.

DESCRIPTION

FIG. 1 is a top, front and right perspective view of a vacuum cleaner showing my new design;
FIG. 2 is a front elevational view thereof;
FIG. 3 is a rear elevational view thereof;
FIG. 4 is a top plan view thereof;
FIG. 5 is a bottom plan view thereof;
FIG. 6 is a right side elevational view thereof; and,
FIG. 7 is a left side elevational view thereof.

1 Claim, 6 Drawing Sheets



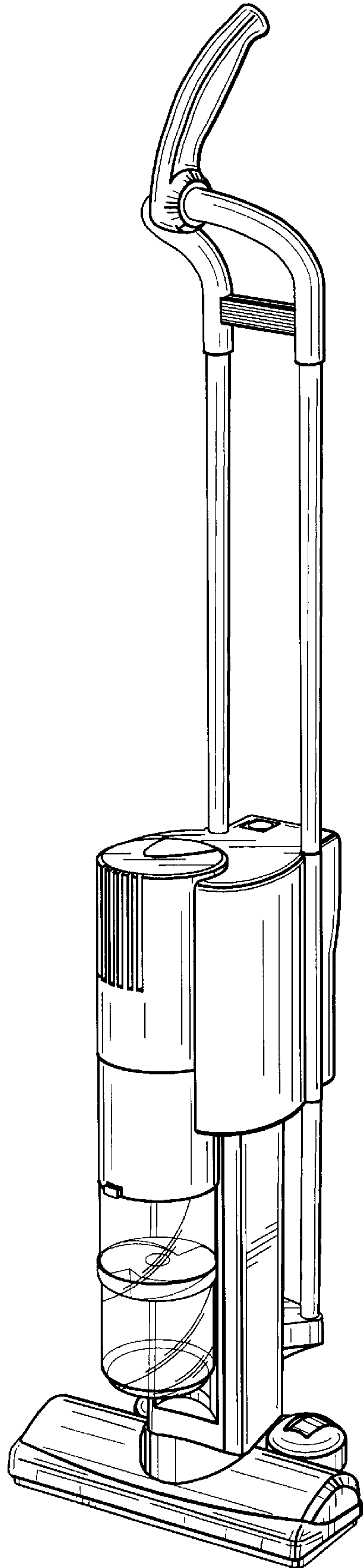


Fig.1

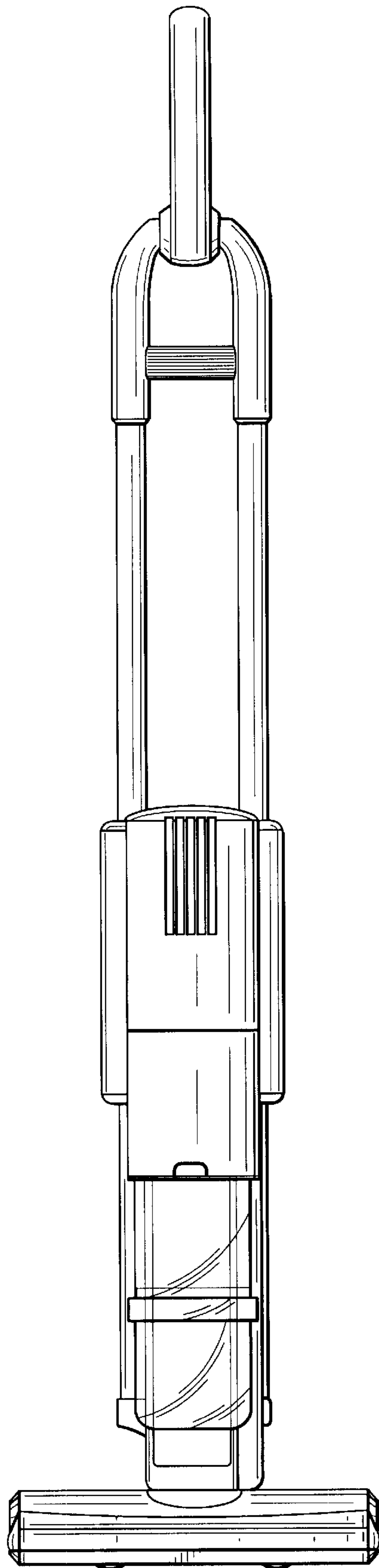


Fig.2

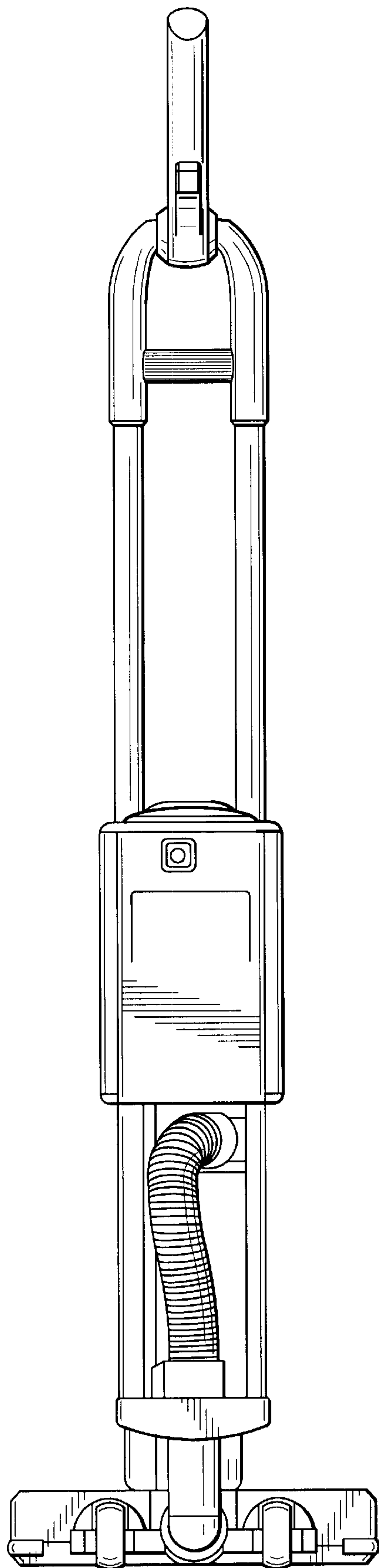


Fig.3

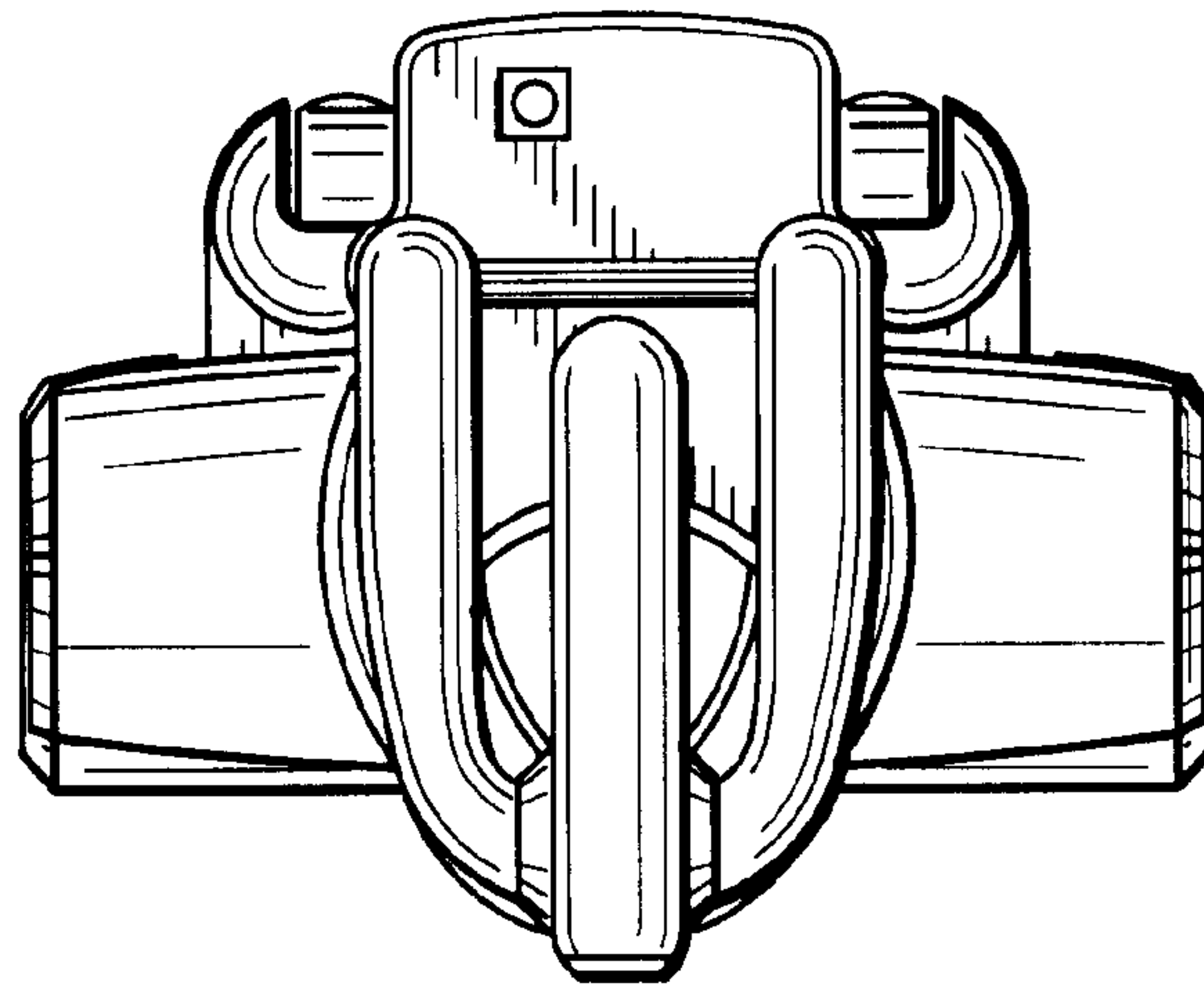


Fig.4

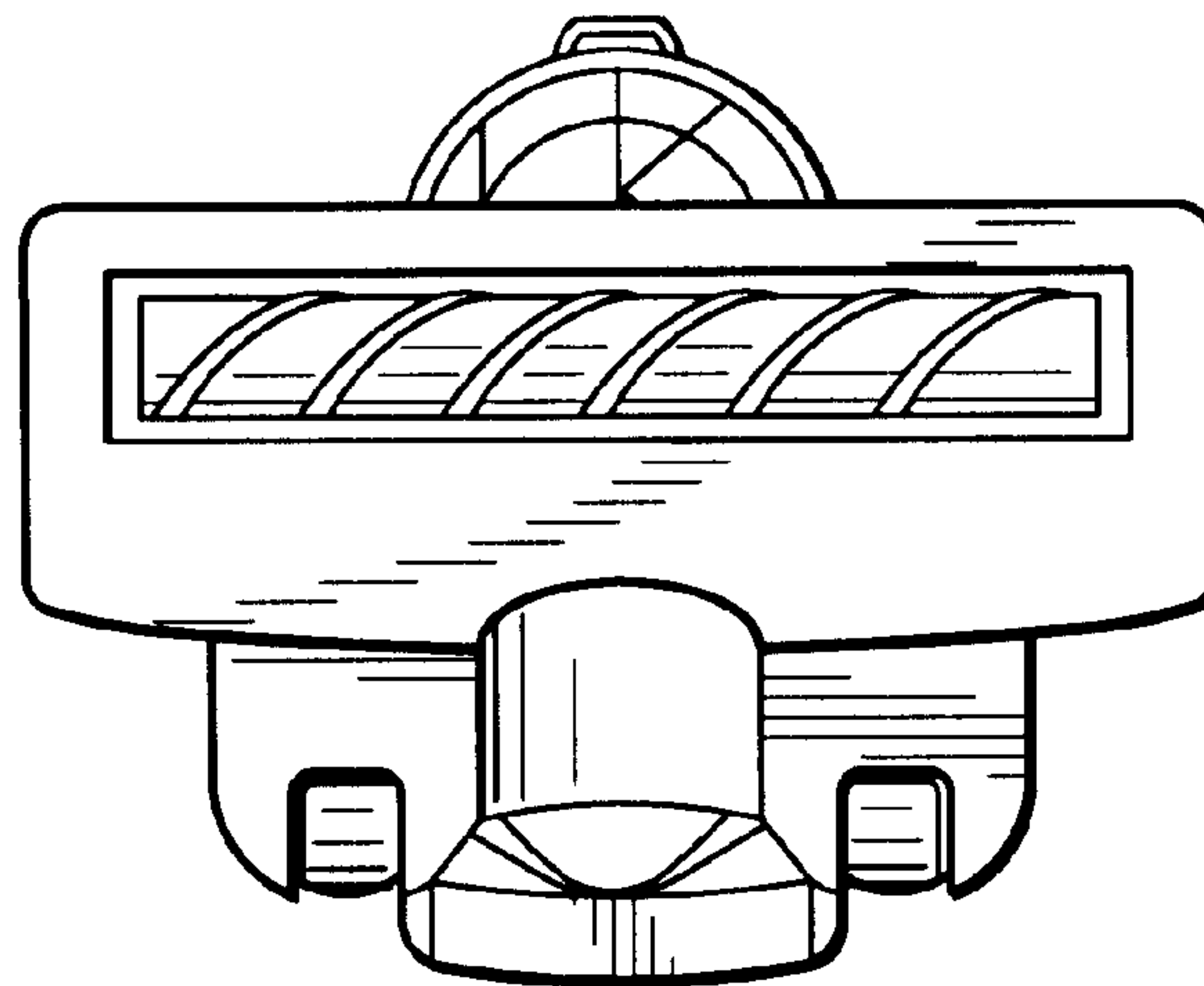


Fig.5

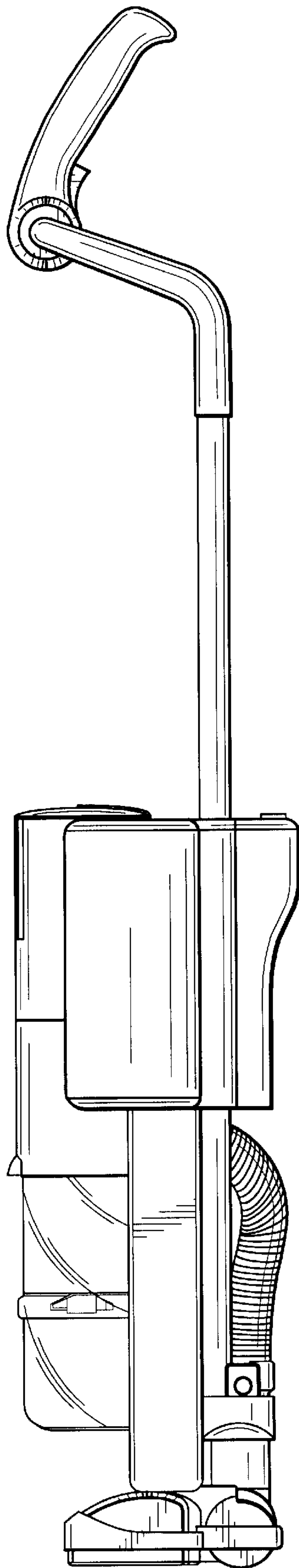


Fig.6

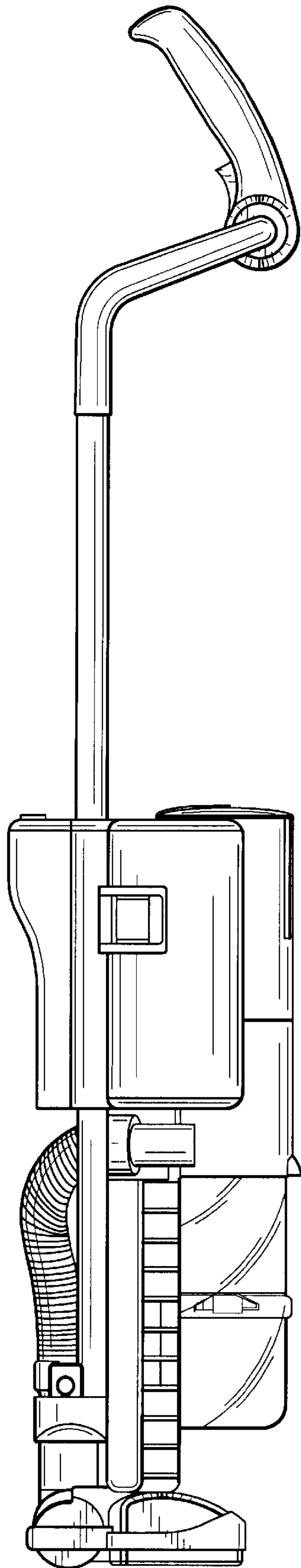


Fig.7