



US00D480846S

(12) **United States Design Patent** (10) **Patent No.:** **US D480,846 S**
Ki (45) **Date of Patent:** **** Oct. 14, 2003**

(54) **HANDHELD VACUUM CLEANER AND ATTACHMENT**

(75) Inventor: **Sana Mok Sze Ki**, Kowloon (HK)

(73) Assignee: **One World Technologies Limited**, Hamilton (BM)

(**) Term: **14 Years**

(21) Appl. No.: **29/171,053**

(22) Filed: **Nov. 15, 2002**

(51) **LOC (7) Cl.** **15-05**

(52) **U.S. Cl.** **D32/18**

(58) **Field of Search** D32/17-18, 31, D32/32, 33; 15/344, 329, 320

(56) **References Cited**

U.S. PATENT DOCUMENTS

D294,412 S	*	2/1988	Sadashima et al.	D32/18
D315,816 S	*	3/1991	Ferrari et al.	D32/18
D333,539 S		2/1993	Kramer et al.	D32/32
D370,319 S	*	5/1996	Bass et al.	D32/18
D376,228 S	*	12/1996	Bass et al.	D32/18
D379,691 S	*	6/1997	Moine et al.	D32/18
D418,262 S	*	12/1999	Yuen	D32/18
D427,737 S		7/2000	Dyson et al.	D32/32

D443,120 S		5/2001	Choi	D32/32
D449,724 S		10/2001	Nighy et al.	D32/32
D459,560 S	*	6/2002	Lau	D32/18
6,481,043 B1	*	11/2002	Anderson et al.	15/246.2
D468,068 S	*	12/2002	Mok	D32/18
D471,331 S	*	3/2003	Pan	D32/18
D473,355 S	*	4/2003	Fernandez	D32/18

* cited by examiner

Primary Examiner—Ruth McInroy

(74) *Attorney, Agent, or Firm*—Andrew Y. Pang; Nexsen Pruet Jacobs & Pollard, LLC

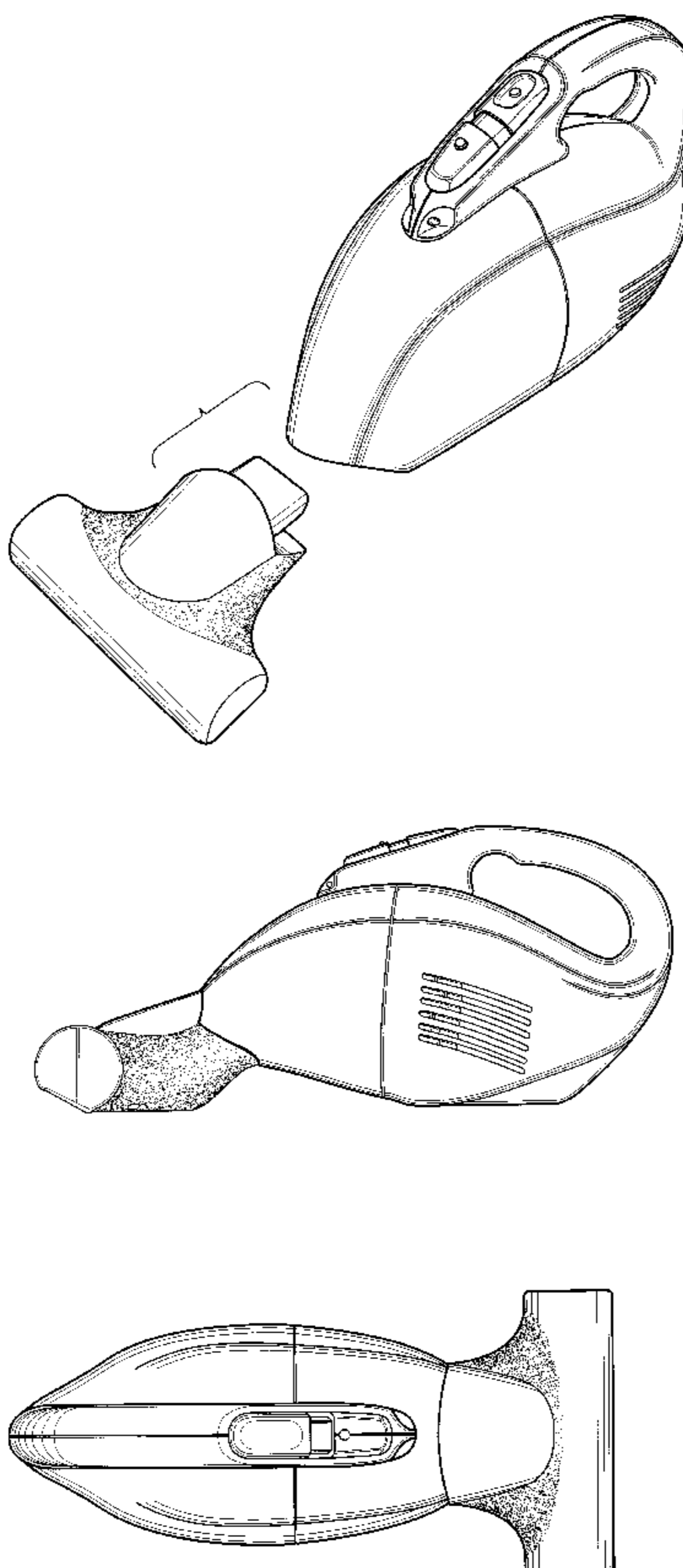
(57) **CLAIM**

The ornamental design for a handheld vacuum cleaner and attachment, as shown and described.

DESCRIPTION

FIG. 1 is an exploded perspective view of a handheld vacuum cleaner and attachment showing my new design; FIG. 2 is a perspective view thereof; FIG. 3 is a right side elevational view thereof; FIG. 4 is a left side elevational view thereof; FIG. 5 is a front end view thereof; FIG. 6 is a rear end view thereof; FIG. 7 is a top view thereof; and, FIG. 8 is a bottom view thereof.

1 Claim, 5 Drawing Sheets



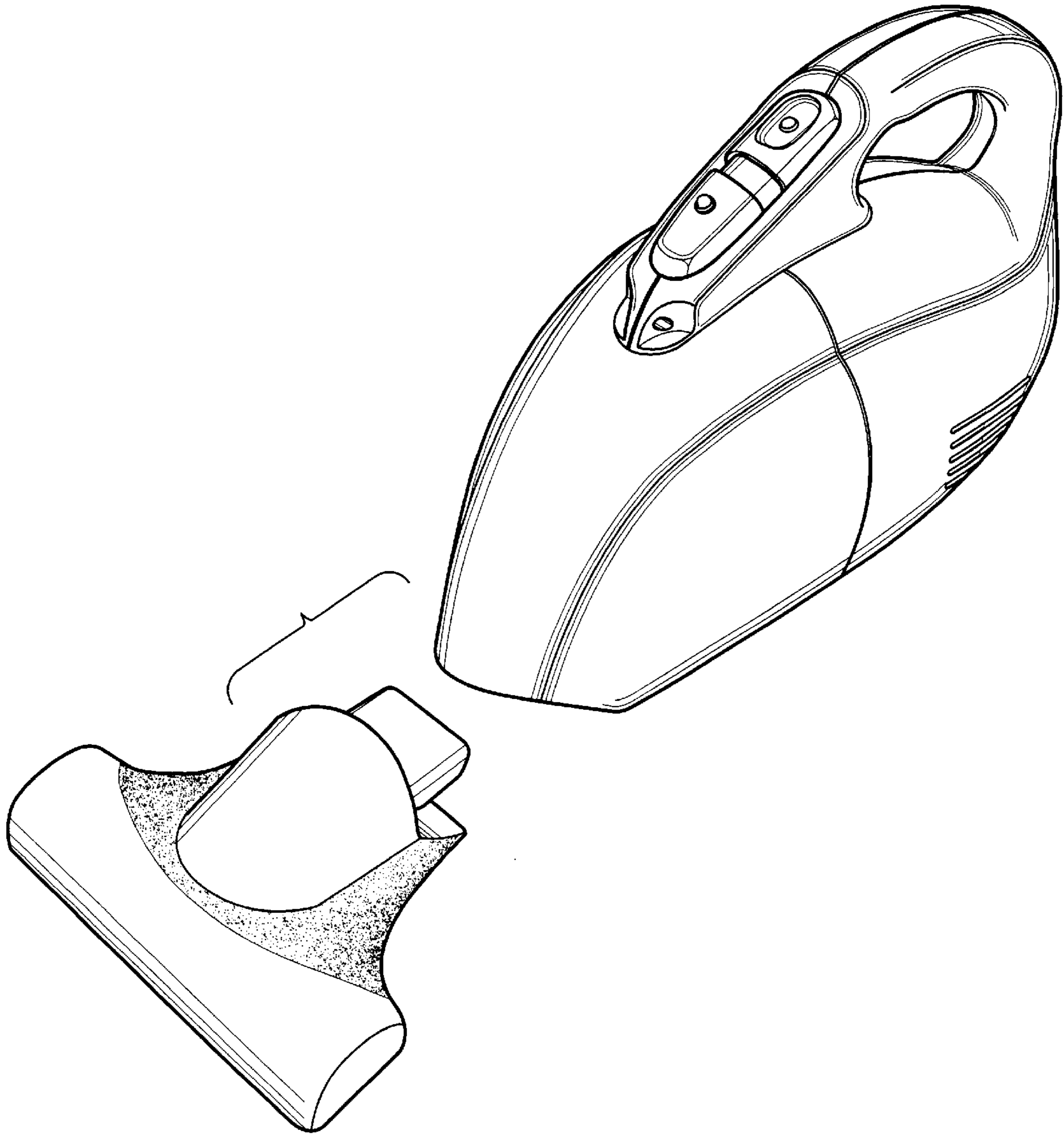


FIG. 1

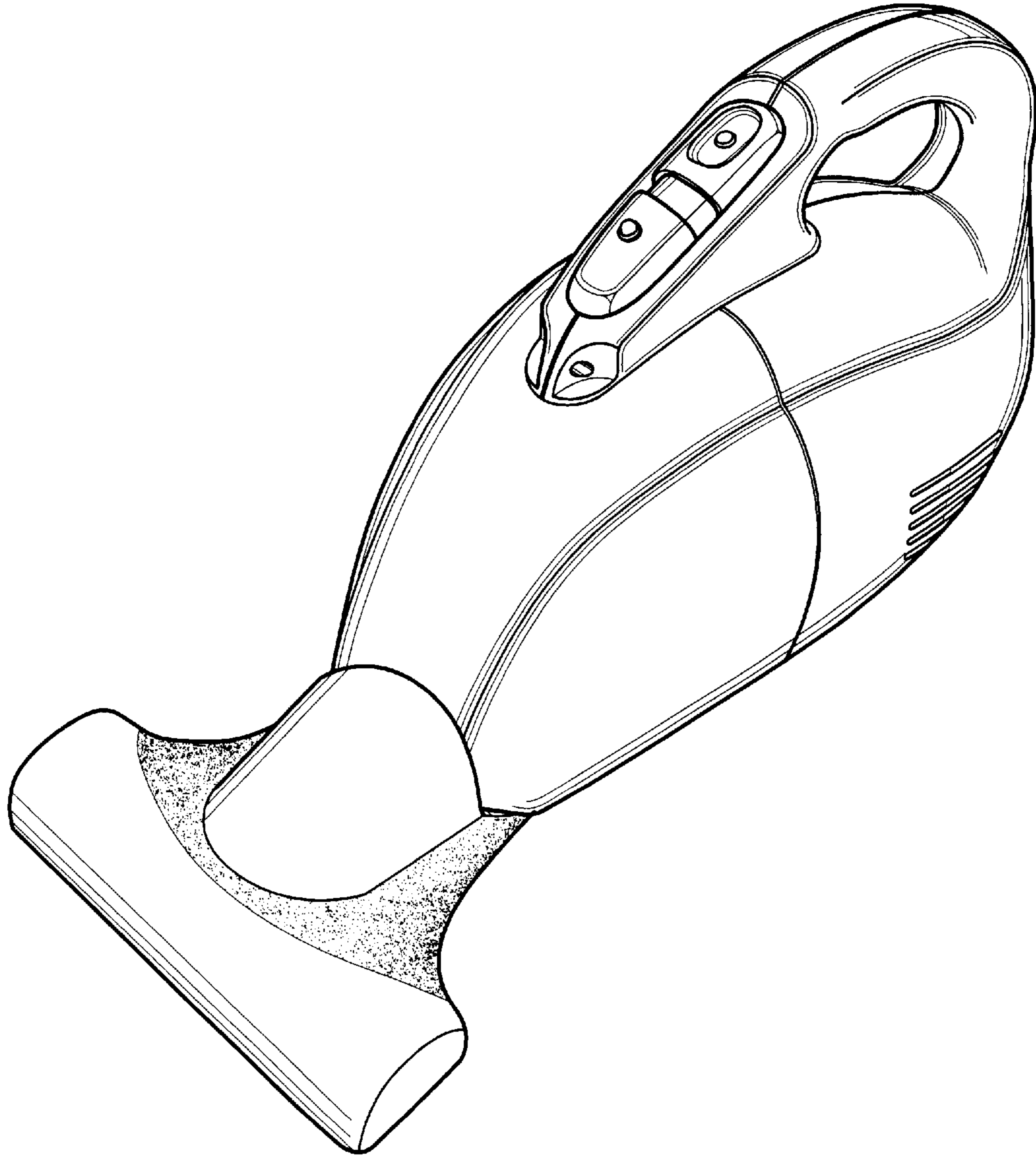


FIG. 2

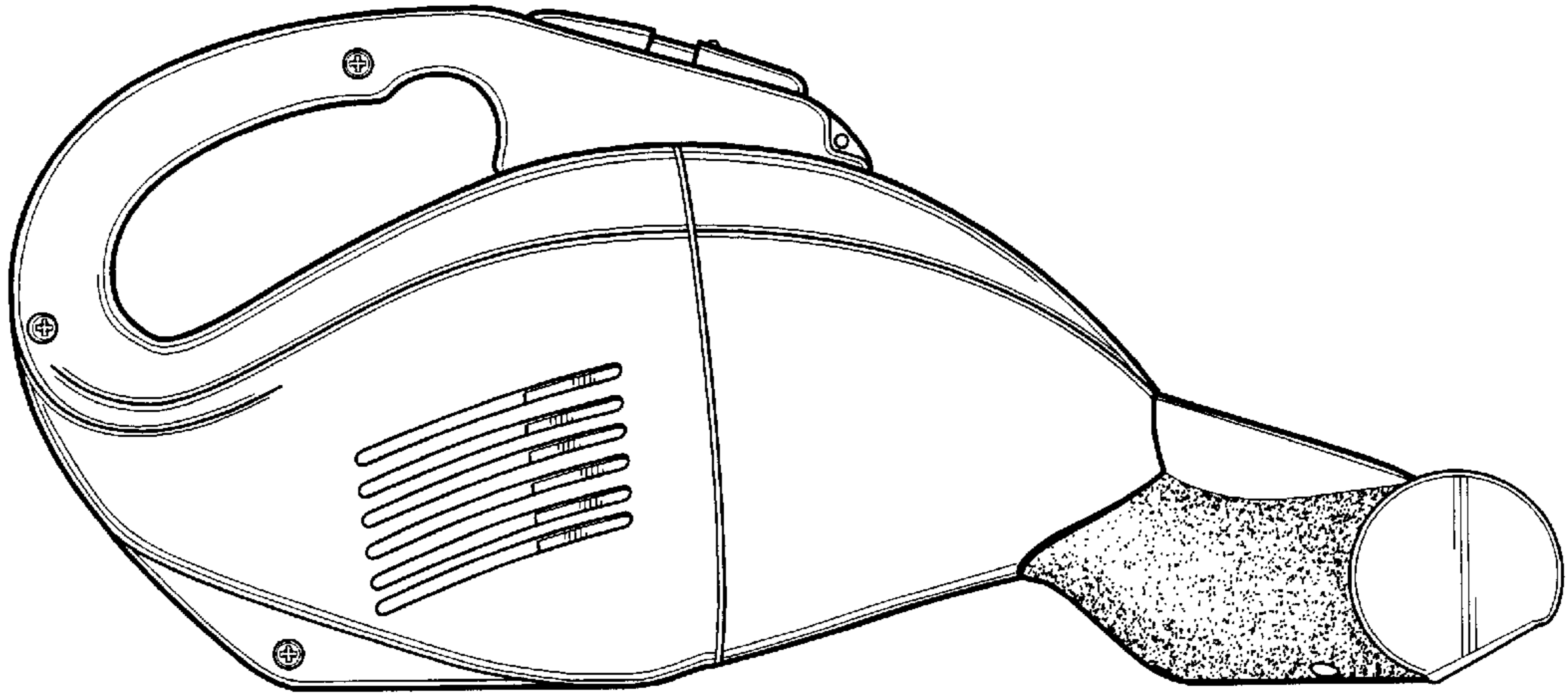


FIG. 3

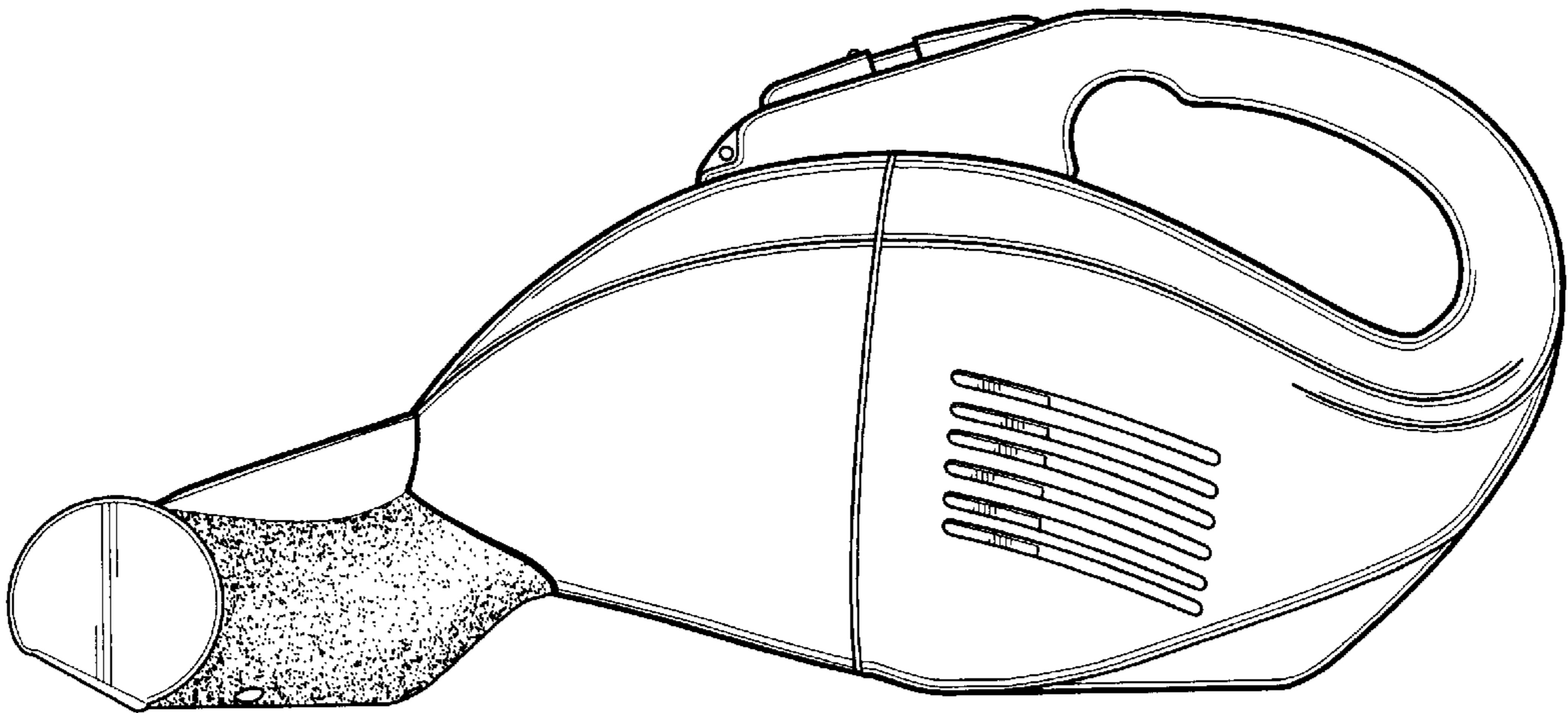


FIG. 4

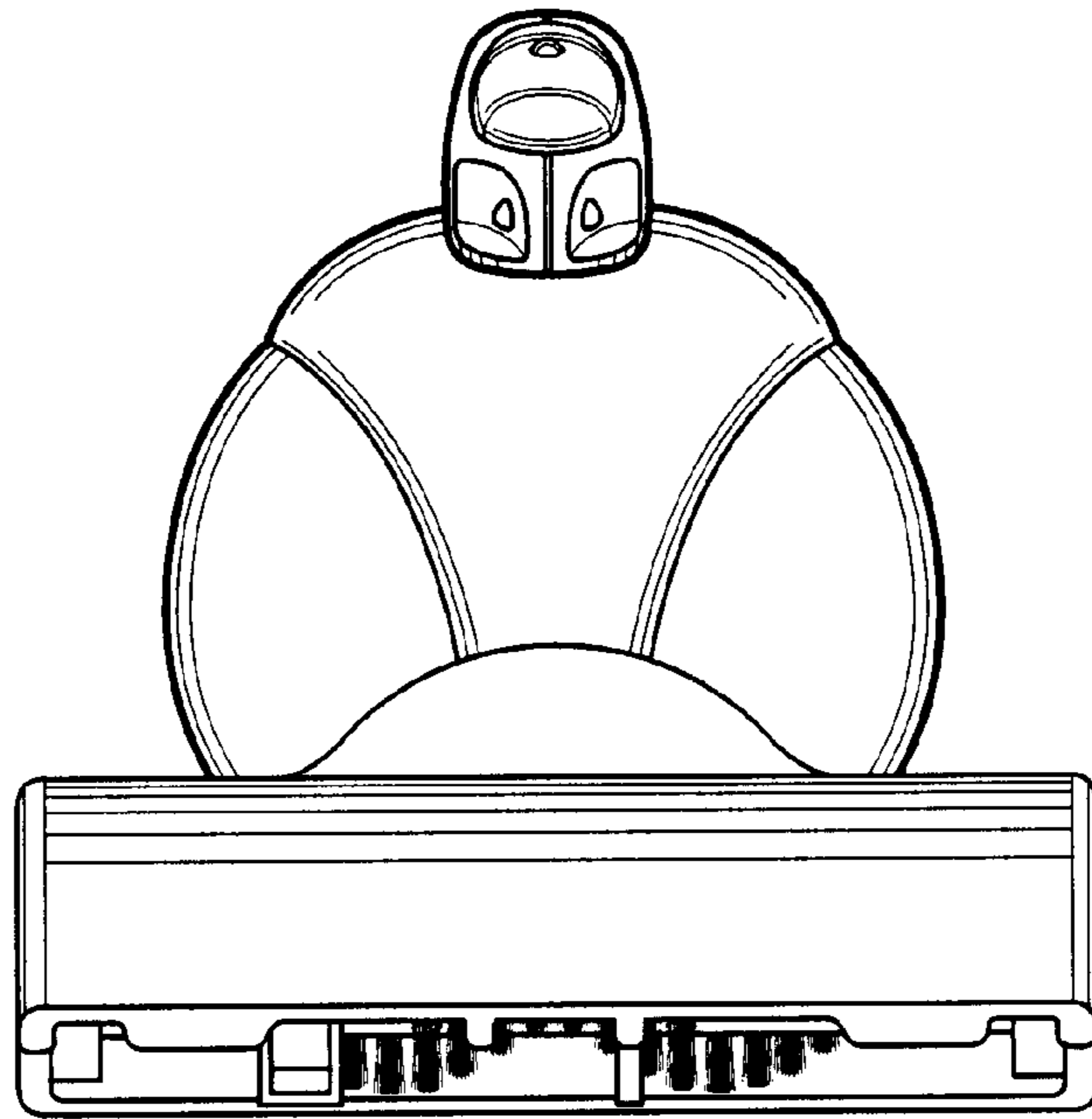


FIG. 5

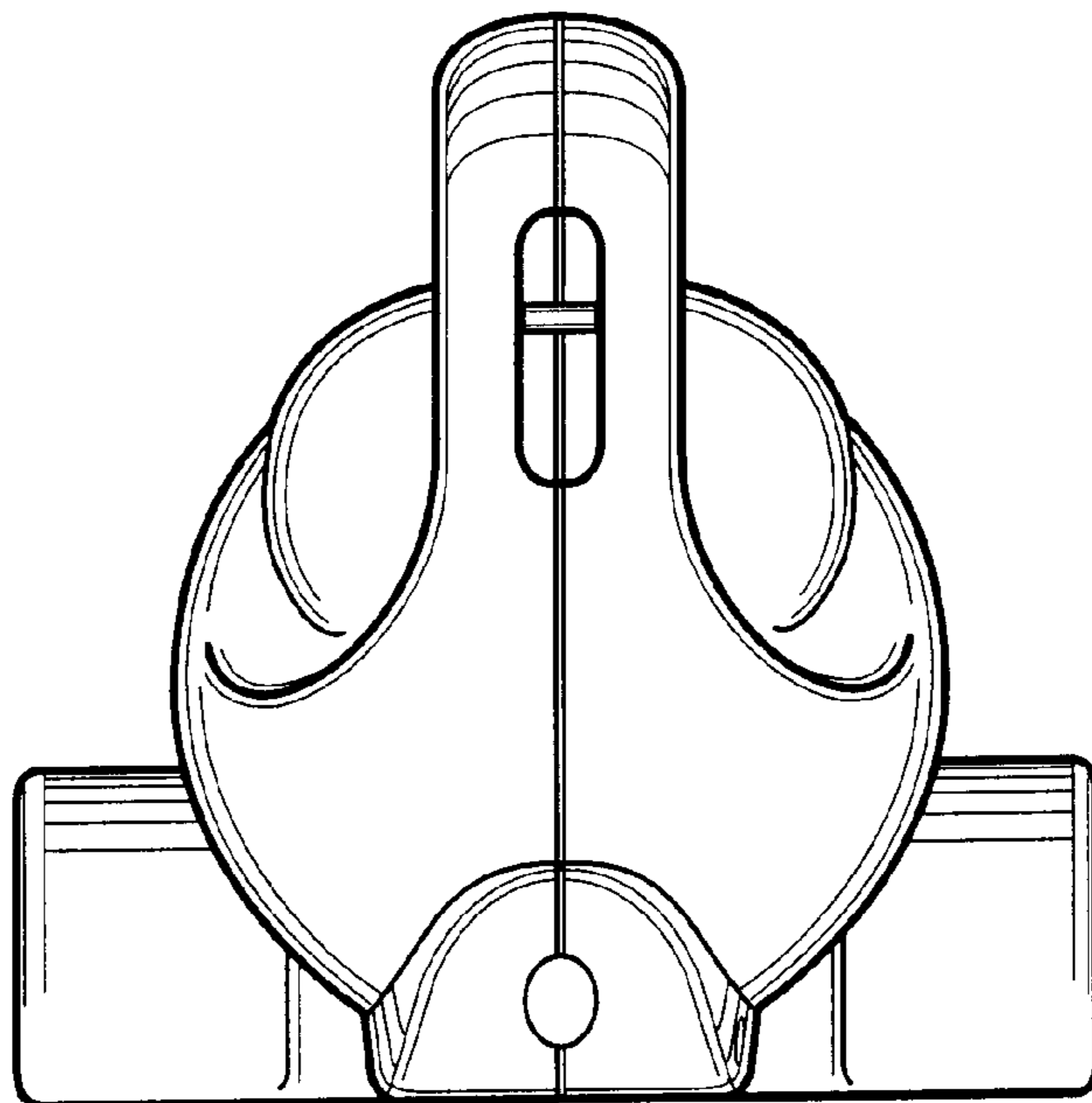


FIG. 6

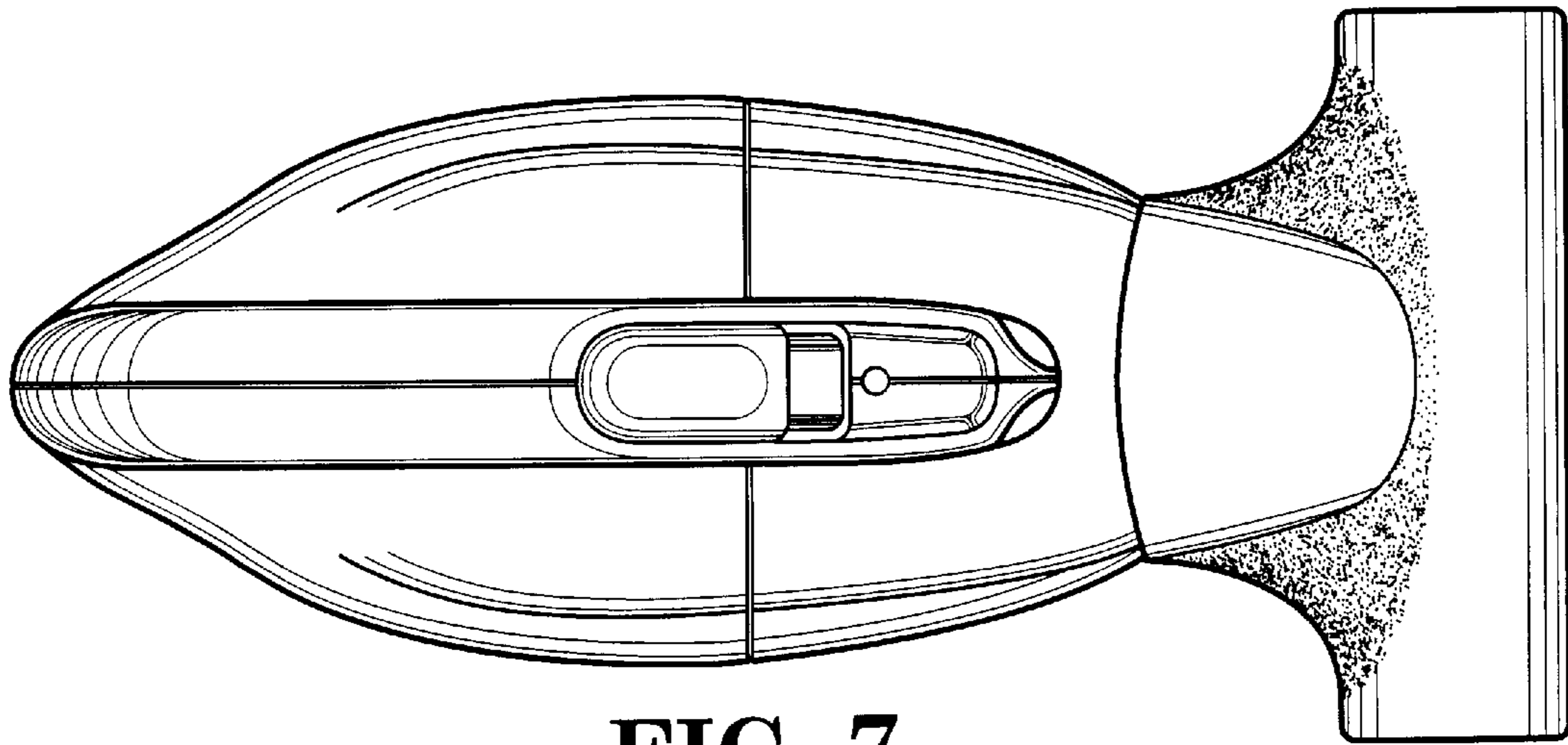


FIG. 7

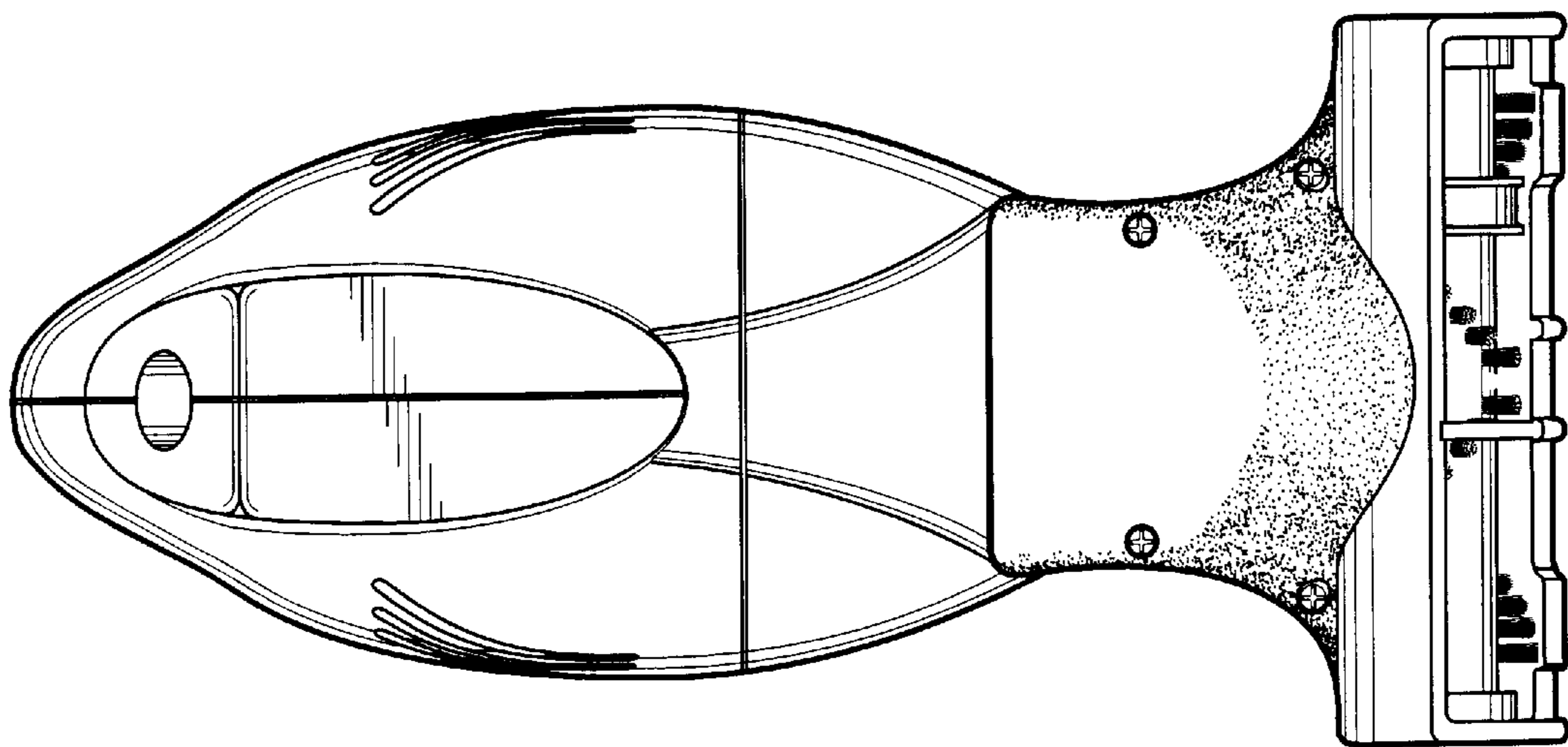


FIG. 8