



US00D480845S

(12) **United States Design Patent**
Ki

(10) **Patent No.:** **US D480,845 S**

(45) **Date of Patent:** **** Oct. 14, 2003**

(54) **HANDHELD VACUUM**

(75) **Inventor:** **Sana Mok Sze Ki, Kowloon (HK)**

(73) **Assignee:** **One World Technologies Limited, Hamilton (BM)**

(**) **Term:** **14 Years**

(21) **Appl. No.:** **29/170,958**

(22) **Filed:** **Nov. 14, 2002**

(51) **LOC (7) Cl. 15-05**

(52) **U.S. Cl. D32/18**

(58) **Field of Search D32/17-18, 31, D32/32, 33; 15/344, 329, 320**

D398,425 S	*	9/1998	Hudson	D32/18
D401,021 S		11/1998	Stephens et al.	D32/18
D421,671 S		3/2000	Thomas et al.	D32/18
D440,719 S		4/2001	Stratford	D32/18
D448,894 S	*	10/2001	Yuen	D32/18

* cited by examiner

Primary Examiner—Ruth McInroy

(74) *Attorney, Agent, or Firm*—Andrew Y. Pang; Nexsen Pruet Jacobs & Pollard, LLC

(57) **CLAIM**

The ornamental design for a handheld vacuum, as shown and described.

DESCRIPTION

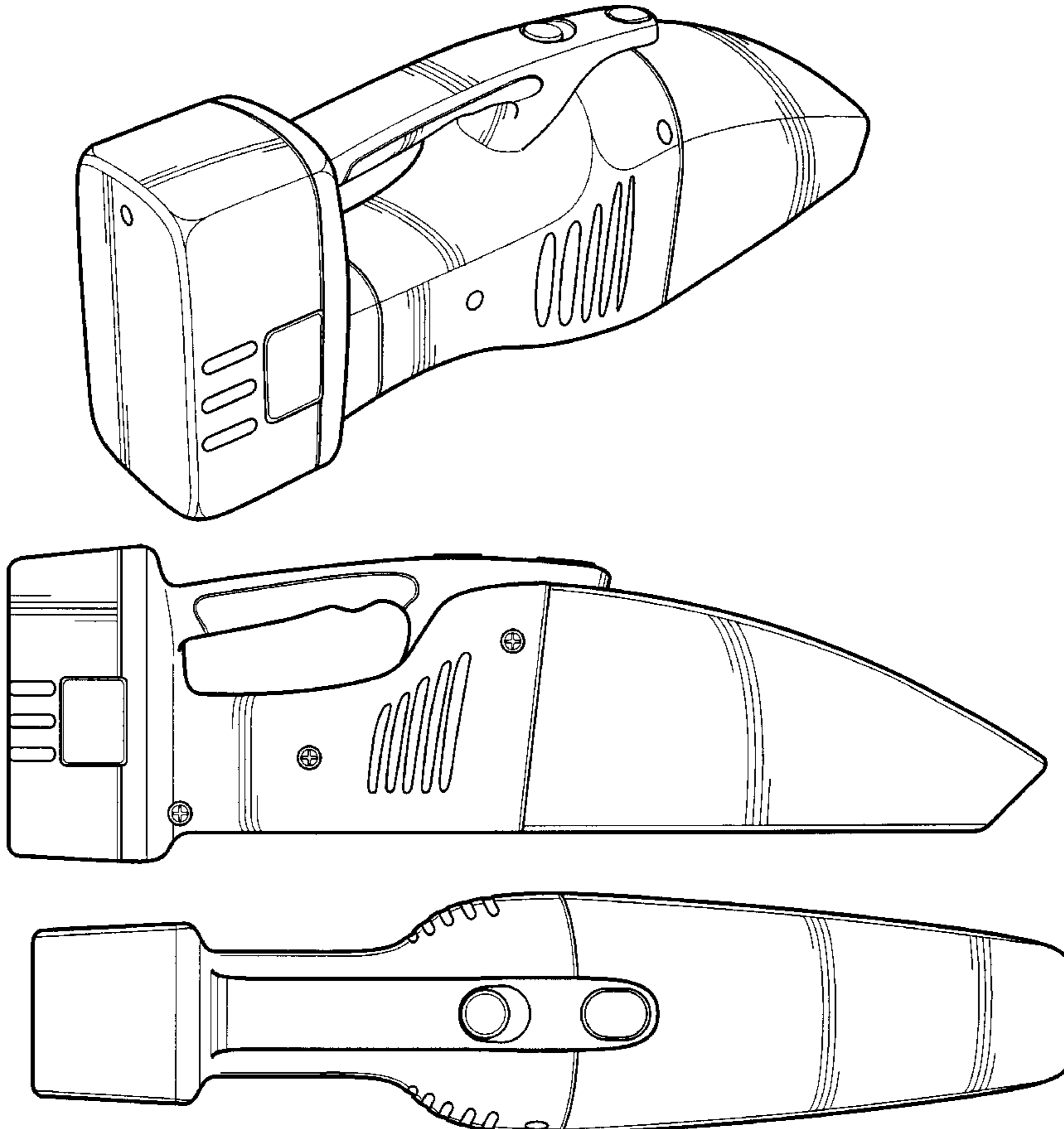
FIG. 1 is a front perspective view of a handheld vacuum showing my new design;
 FIG. 2 is a rear perspective view thereof;
 FIG. 3 is a right side elevational view thereof;
 FIG. 4 is a left side elevational view thereof;
 FIG. 5 is a front end view thereof;
 FIG. 6 is a rear end view thereof;
 FIG. 7 is a top view thereof; and,
 FIG. 8 is a bottom view thereof.

1 Claim, 3 Drawing Sheets

(56) **References Cited**

U.S. PATENT DOCUMENTS

D275,427 S	9/1984	Kishi et al.	D32/18	
D287,893 S	1/1987	Fujii et al.	D32/21	
D301,646 S	*	6/1989	Yamamoto et al.	D32/18
D356,191 S	3/1995	Phelan	D32/18	
D357,772 S	*	4/1995	Yuen	D32/18
5,410,775 A	5/1995	Frazier	15/338	
D379,690 S	6/1997	Howell et al.	D32/18	
D387,516 S	12/1997	Murray et al.	D32/18	



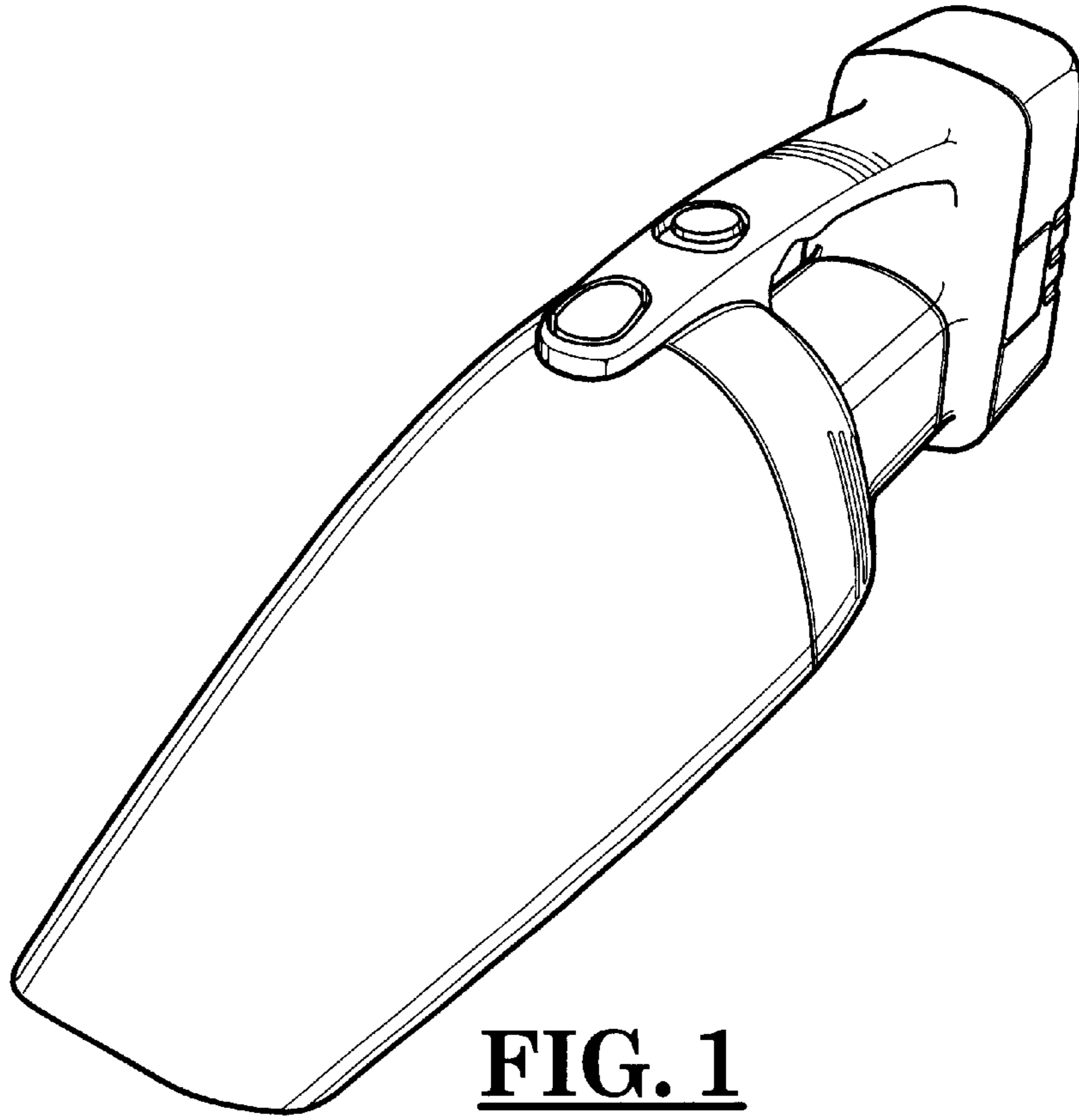


FIG. 1

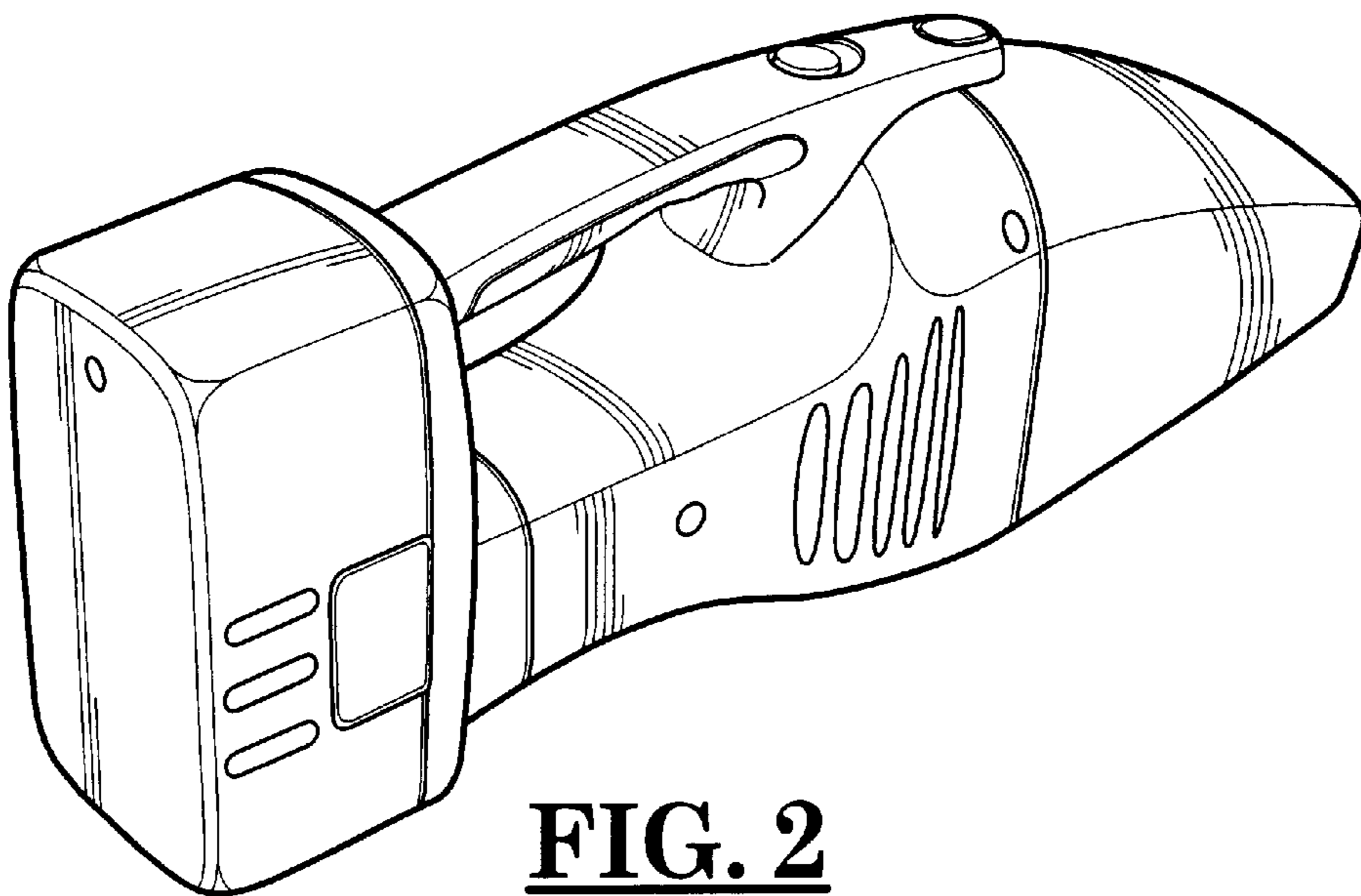


FIG. 2

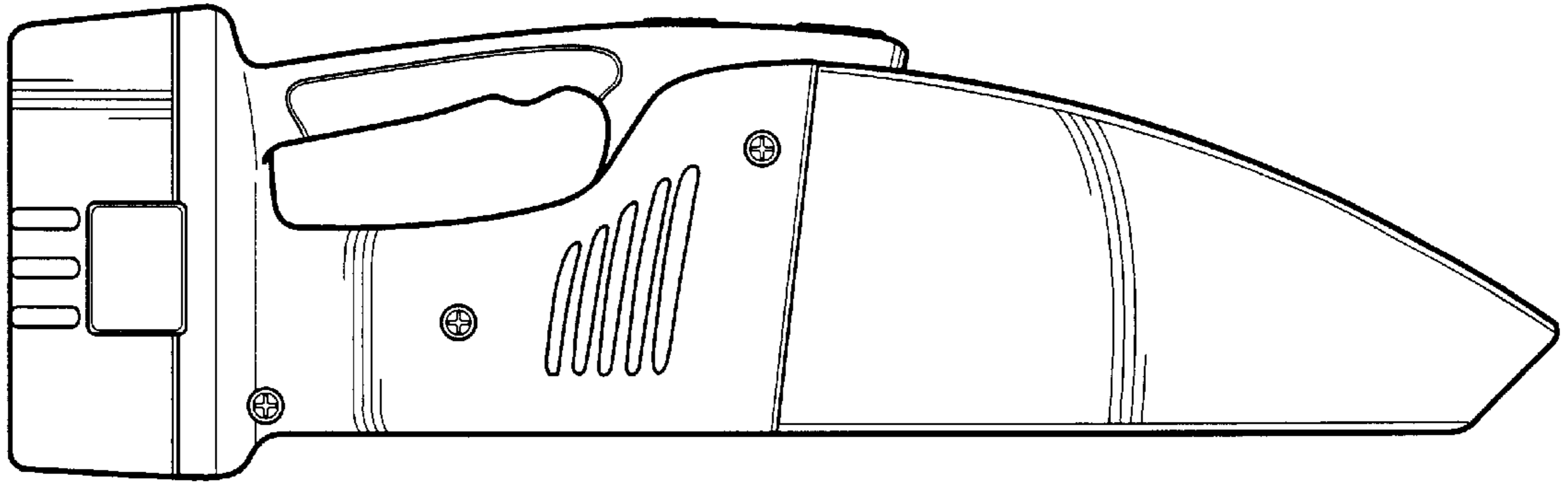


FIG. 3

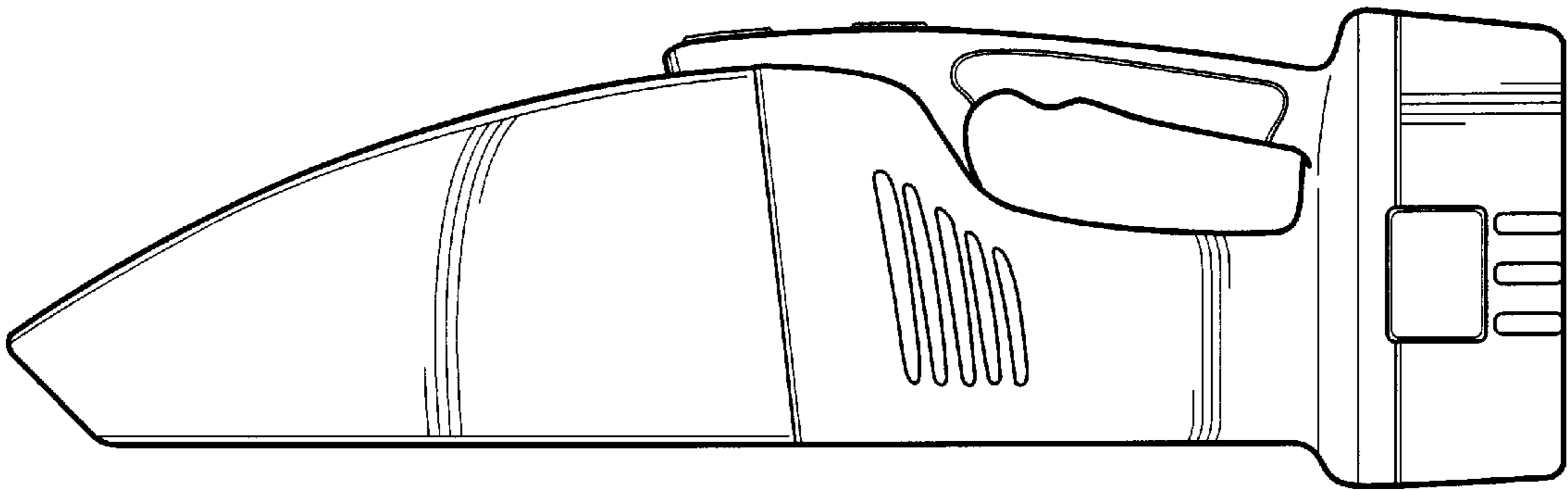


FIG. 4

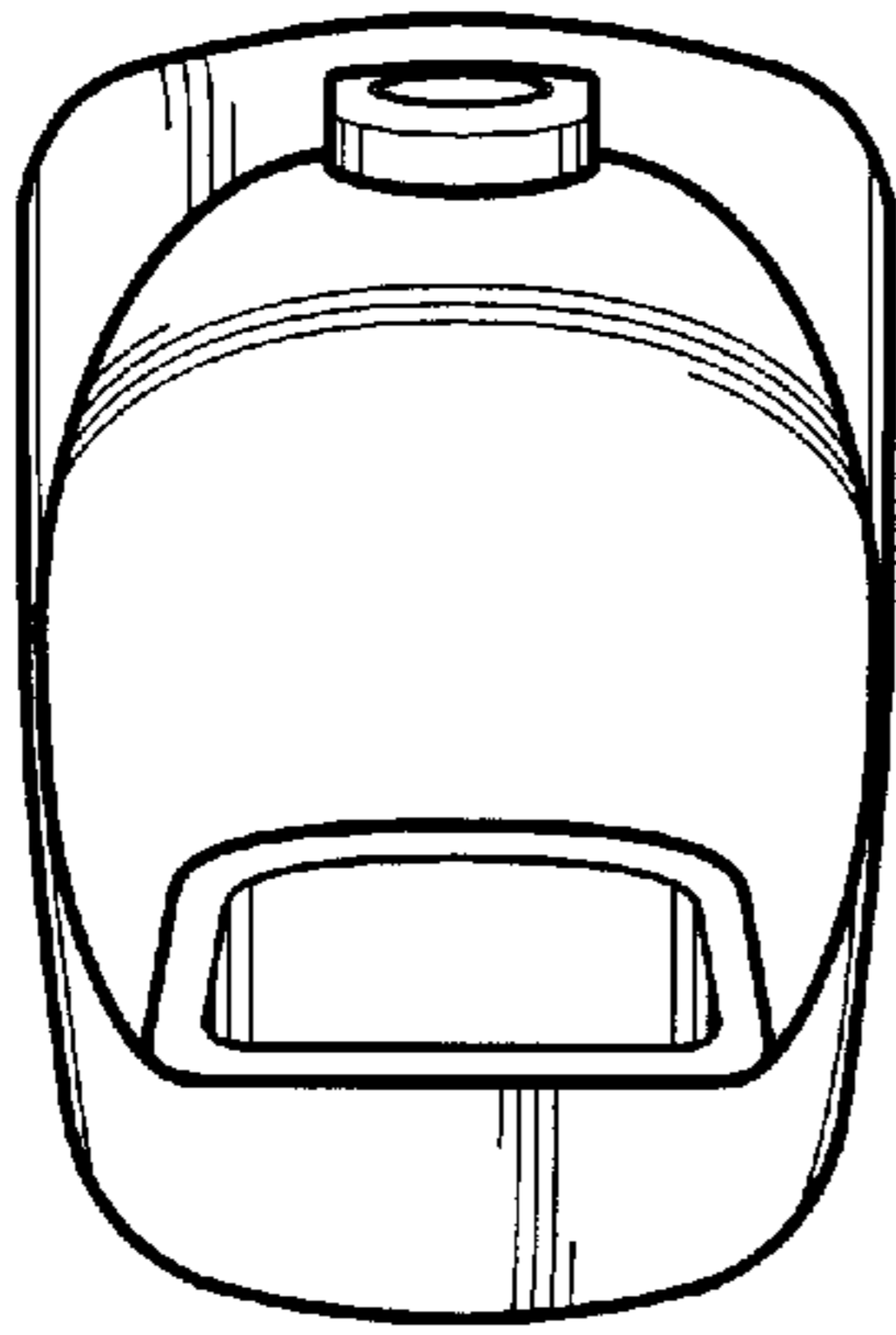


FIG. 5

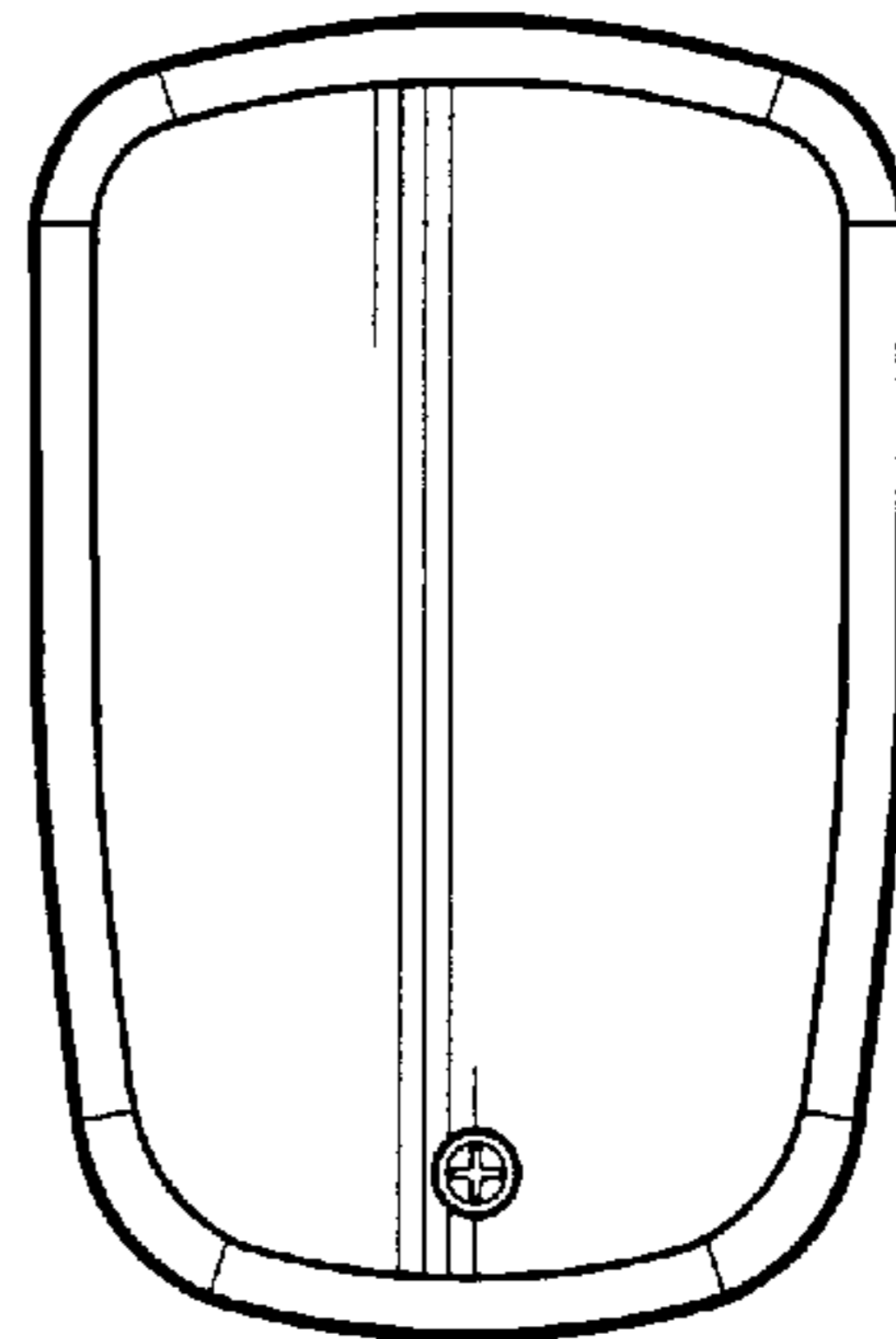


FIG. 6

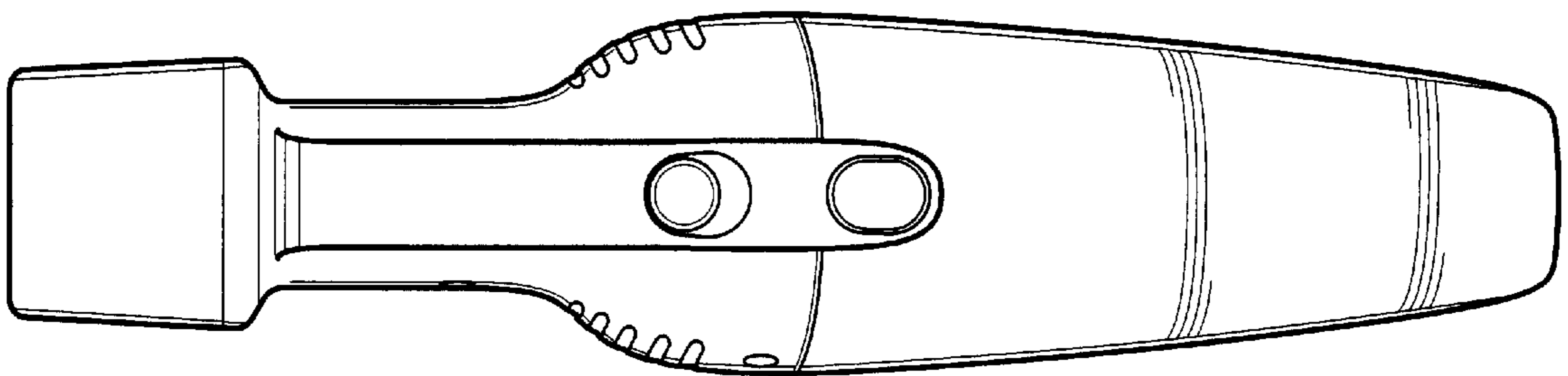


FIG. 7

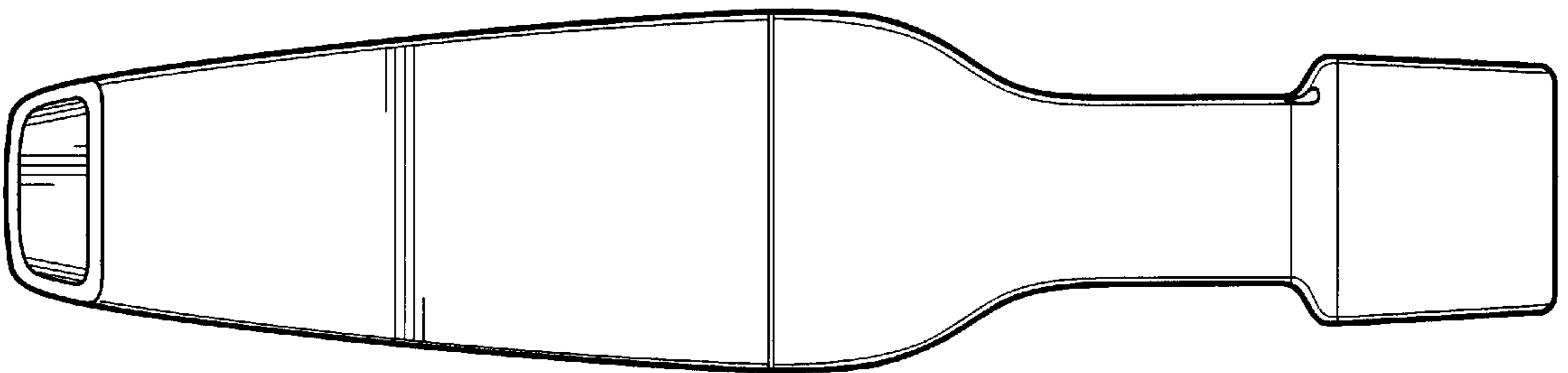


FIG. 8