



US00D480844S

(12) **United States Design Patent**
Noma et al.

(10) **Patent No.:** **US D480,844 S**
(45) **Date of Patent:** **** Oct. 14, 2003**

(54) **PORTABLE ELECTRIC BLOWER WITH DUST COLLECTOR**

(75) Inventors: **Masaharu Noma**, Hiroshima-ken (JP);
Shinji Oohama, Hiroshima-ken (JP)

(73) Assignee: **Ryobi Ltd.**, Hiroshima-ken (JP)

(**) Term: **14 Years**

(21) Appl. No.: **29/172,375**

(22) Filed: **Dec. 11, 2002**

(30) **Foreign Application Priority Data**

Jun. 12, 2002 (JP) 2002-015769

(51) **LOC (7) Cl.** **15-05**

(52) **U.S. Cl.** **D32/15**

(58) **Field of Search** D29/1, 15, 25;
15/344, 300.1, 303, 405; D23/355; 239/DIG. 21

(56) **References Cited**

U.S. PATENT DOCUMENTS

D258,908 S * 4/1981 Satoh D32/15 X
D363,149 S * 10/1995 Franke et al. D32/15
D431,697 S * 10/2000 Hayakawa et al. D32/15
D469,931 S * 2/2003 Nawrozki et al. D32/15

OTHER PUBLICATIONS

Blower "GBL 550", of Bosch's Catalog issued on Jan. 1, 1999.

* cited by examiner

Primary Examiner—Louis S. Zarfes

Assistant Examiner—Robert A. Delehanty

(74) *Attorney, Agent, or Firm*—Sughrue Mion, PLLC

(57) **CLAIM**

The ornamental design for a portable electric blower with dust collector, as shown.

DESCRIPTION

FIG. 1 is a perspective view of the top, rear and left side of a portable electric blower with dust collector showing our new design, the broken line showing of a dust collector is for illustrative purposes only and forms no part of the claimed design.

FIG. 2 is a right side elevational view thereof;

FIG. 3 is a left side elevational view thereof;

FIG. 4 is a rear elevational view thereof;

FIG. 5 is a front elevational view thereof;

FIG. 6 is a top plan view thereof; and,

FIG. 7 is a bottom plan view thereof.

1 Claim, 4 Drawing Sheets

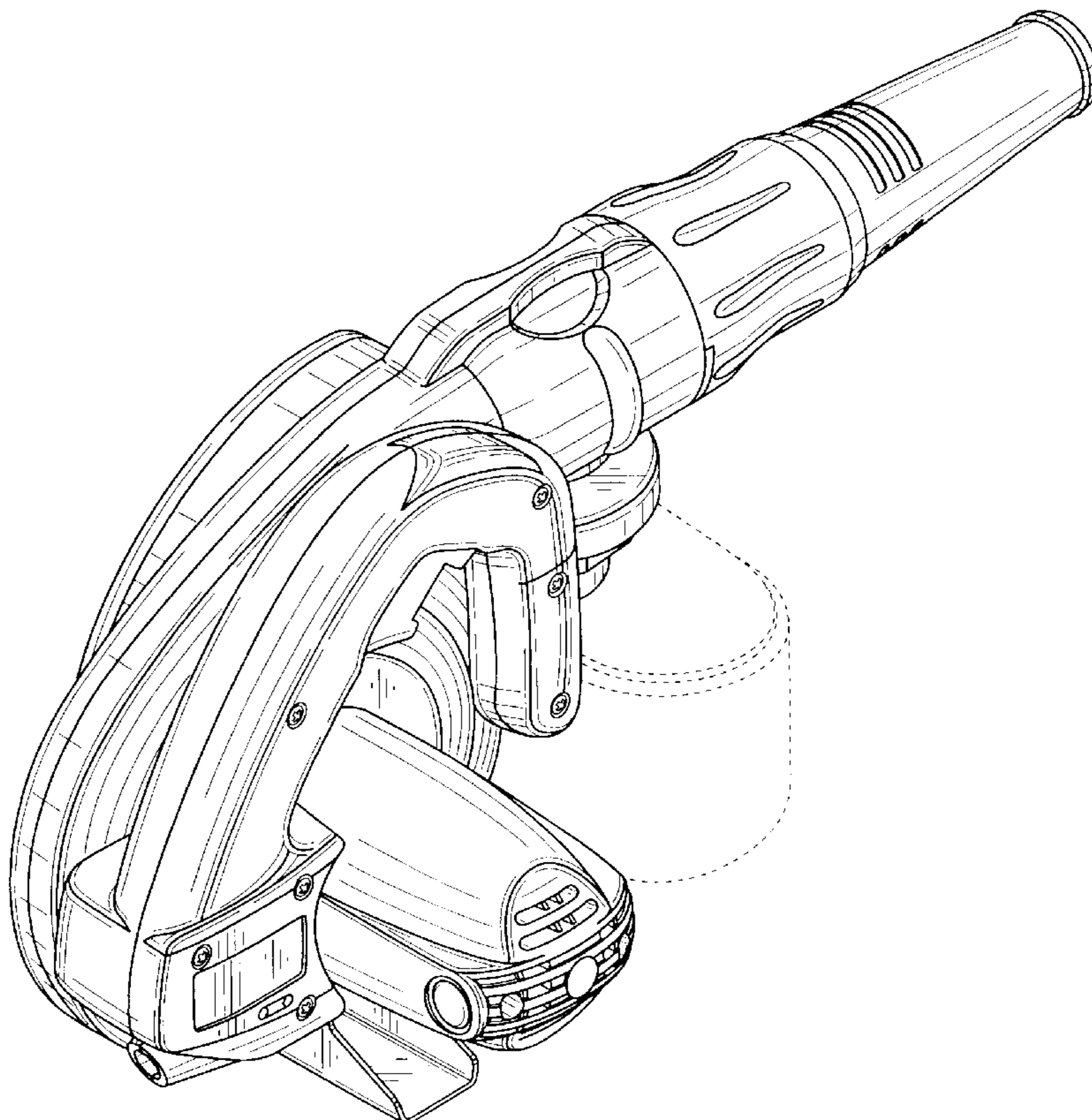


FIG. 1

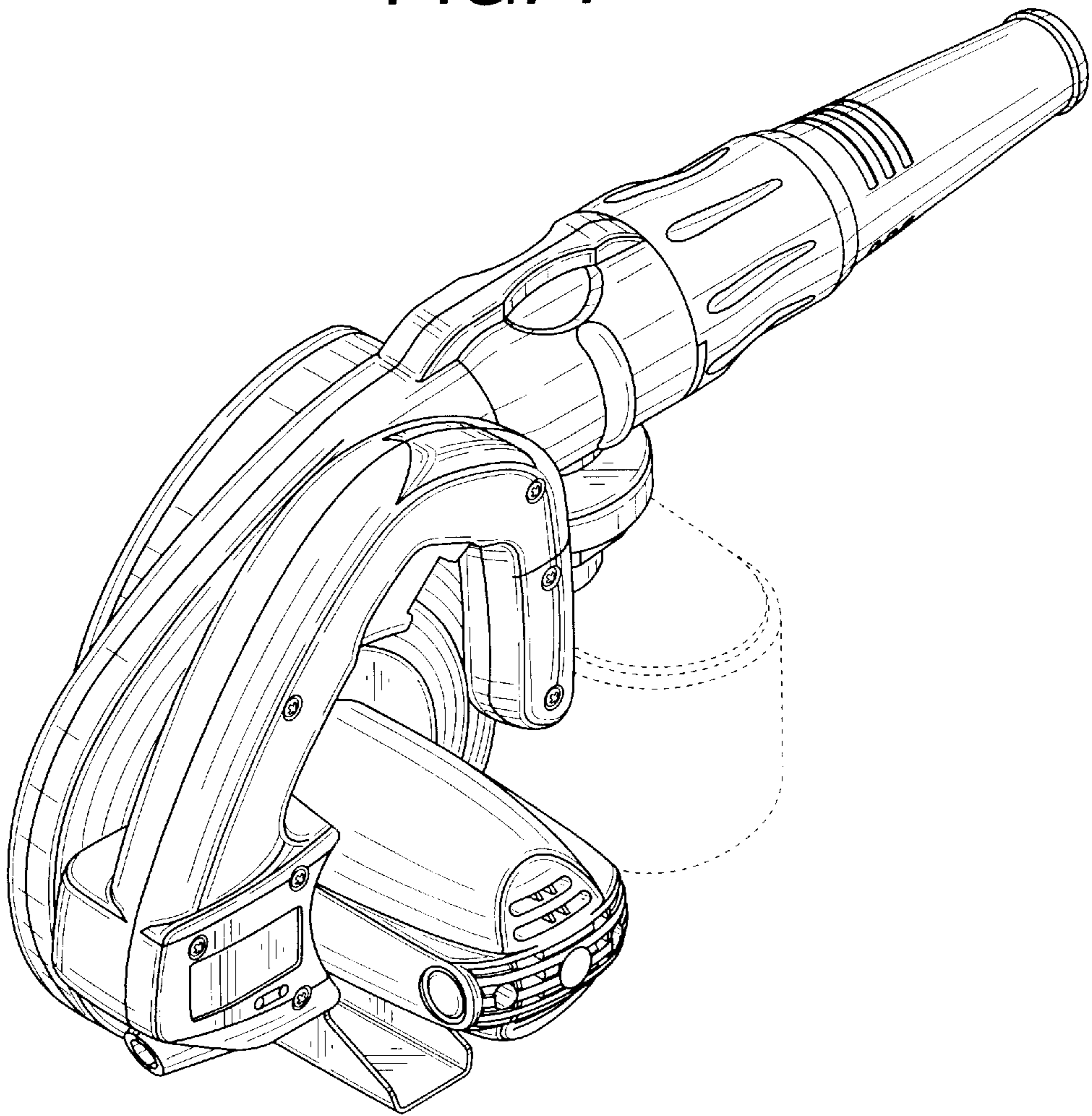


FIG. 2

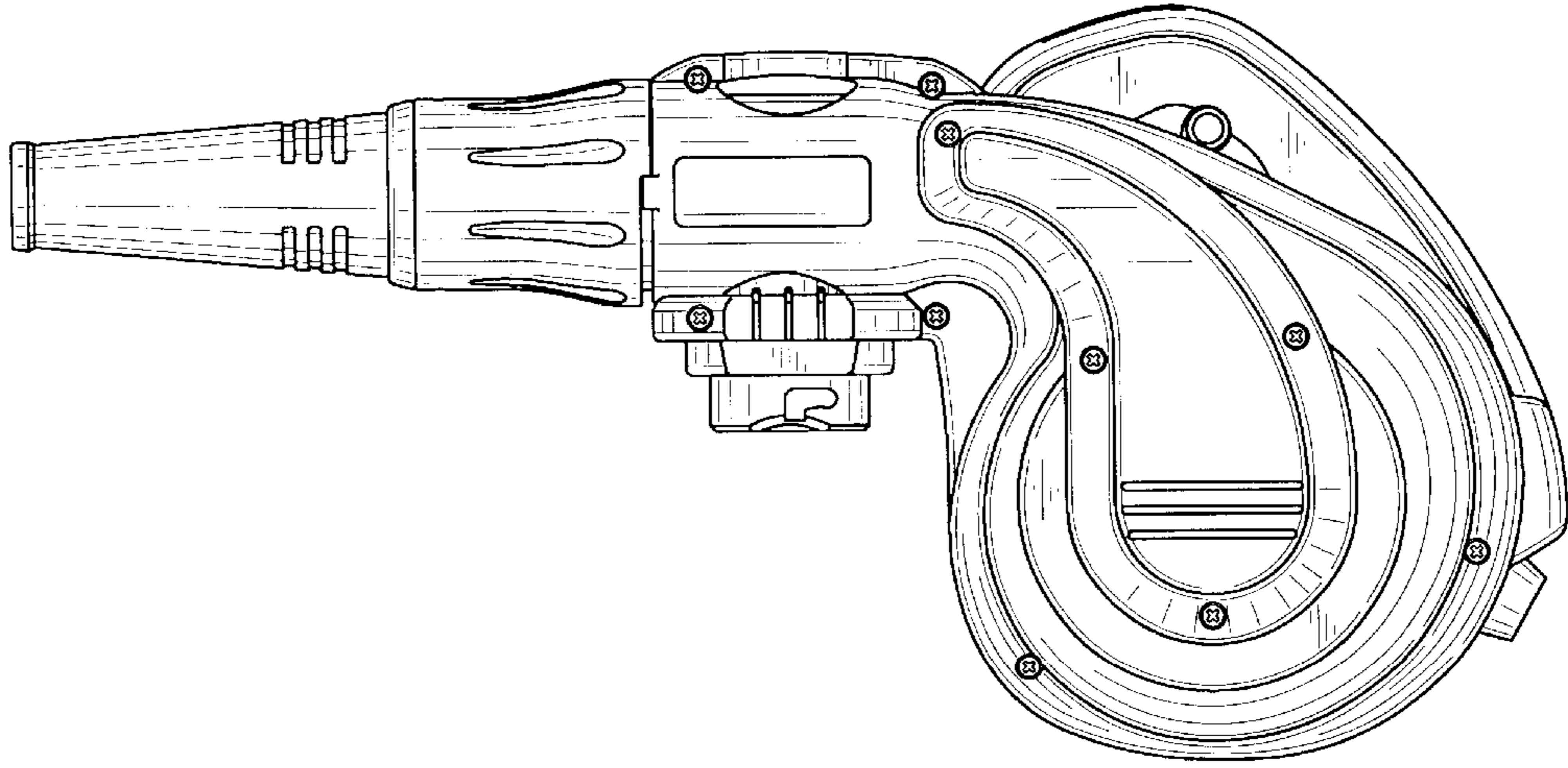


FIG. 3

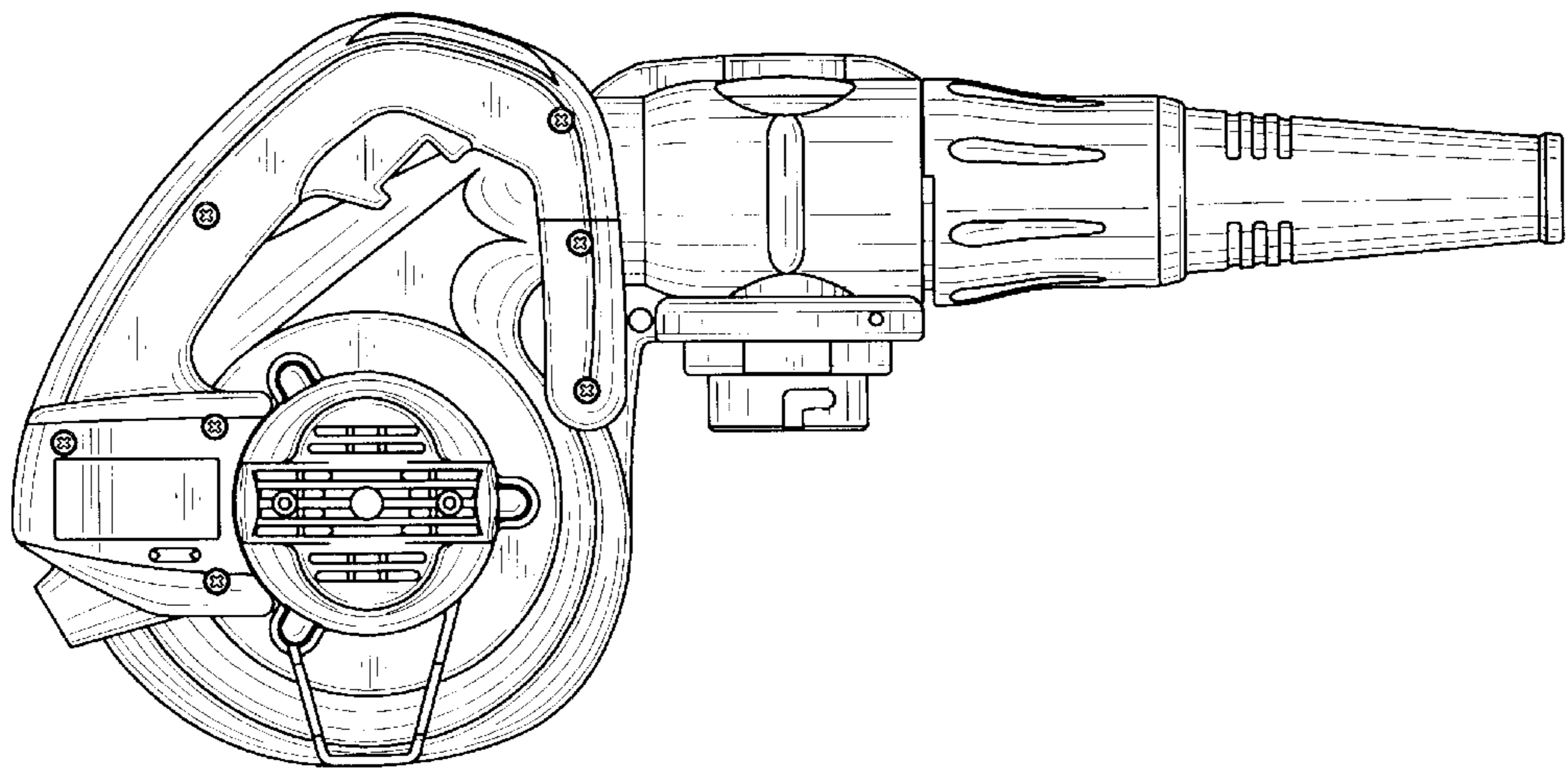


FIG. 4

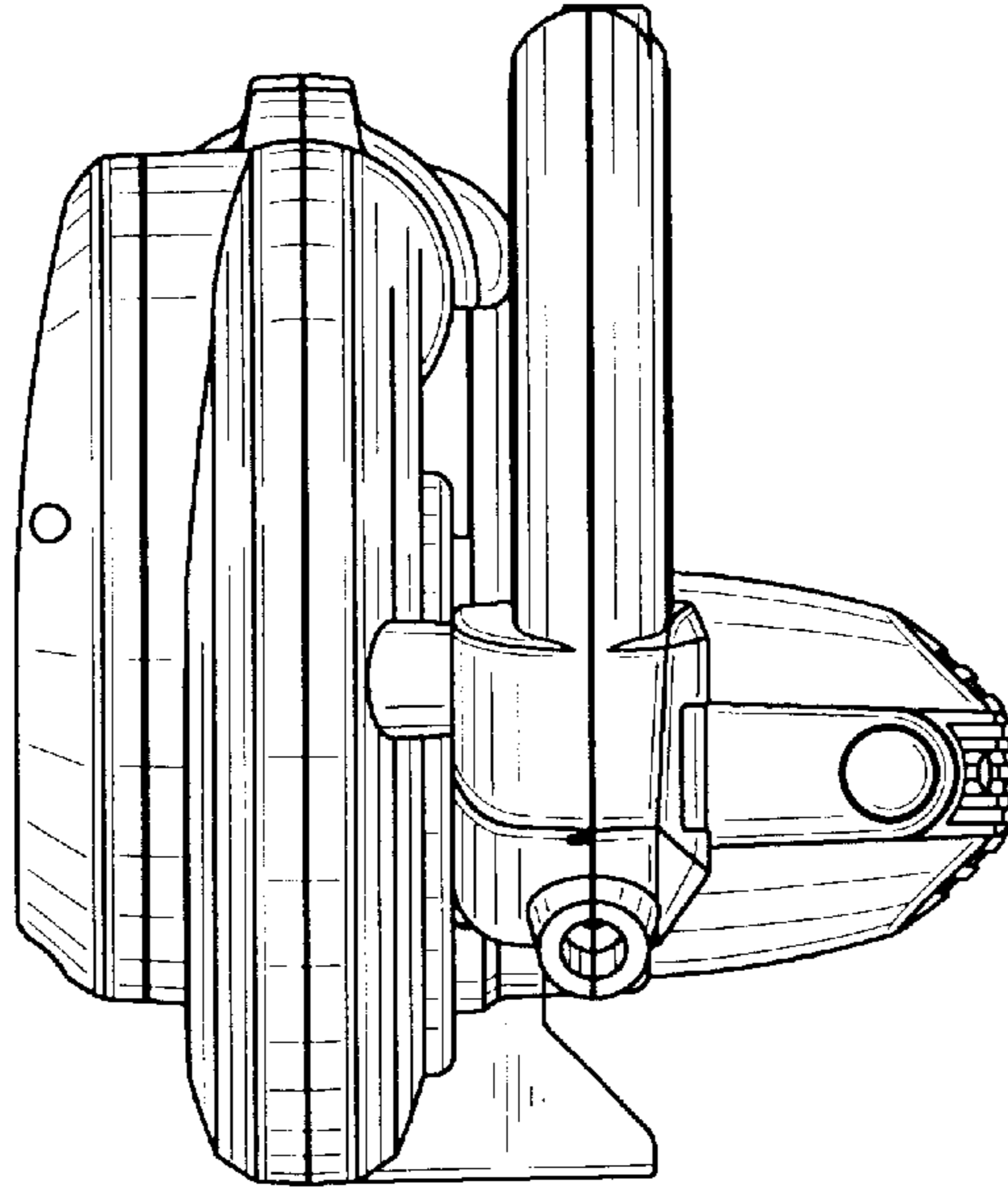


FIG. 5

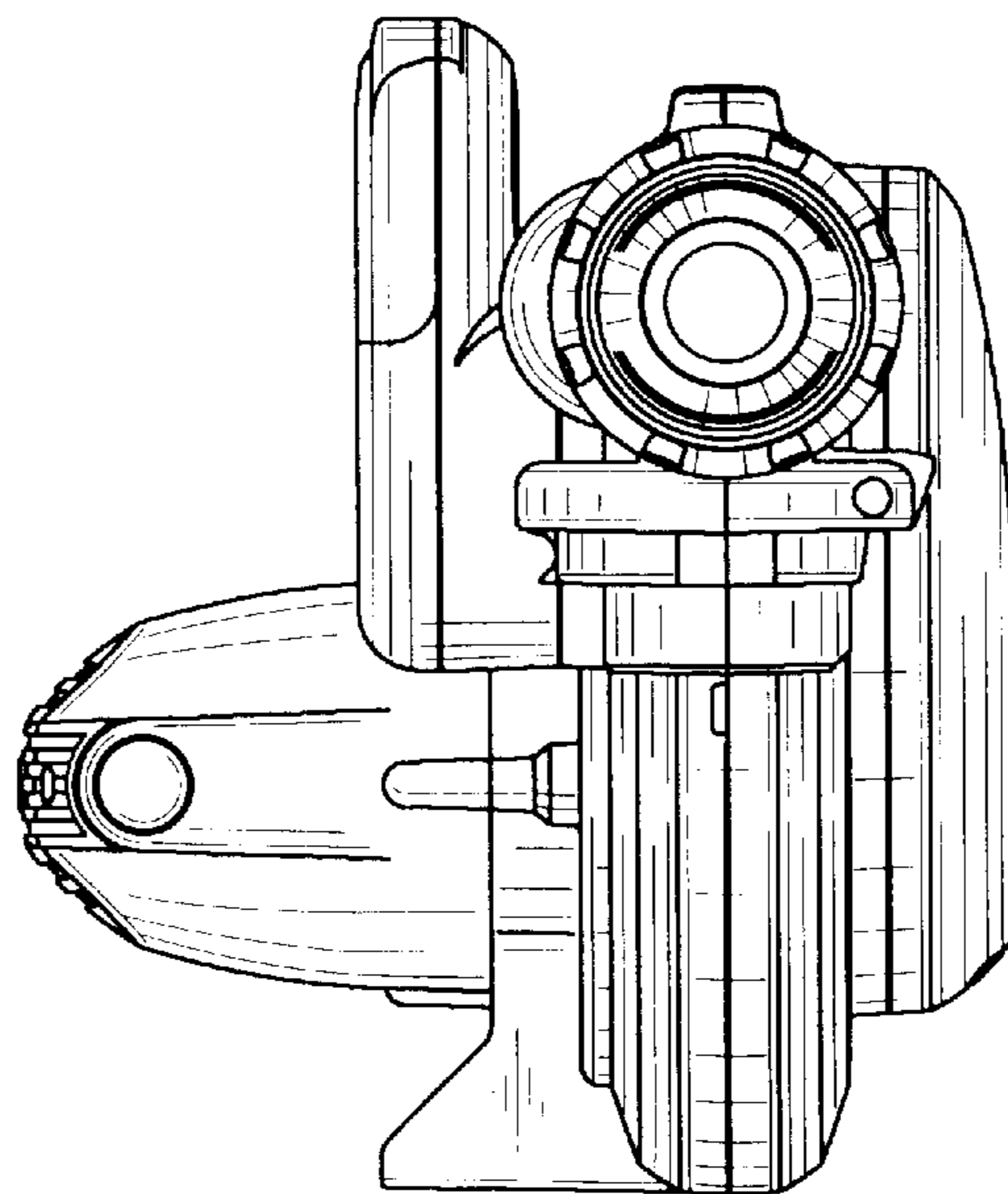


FIG. 6

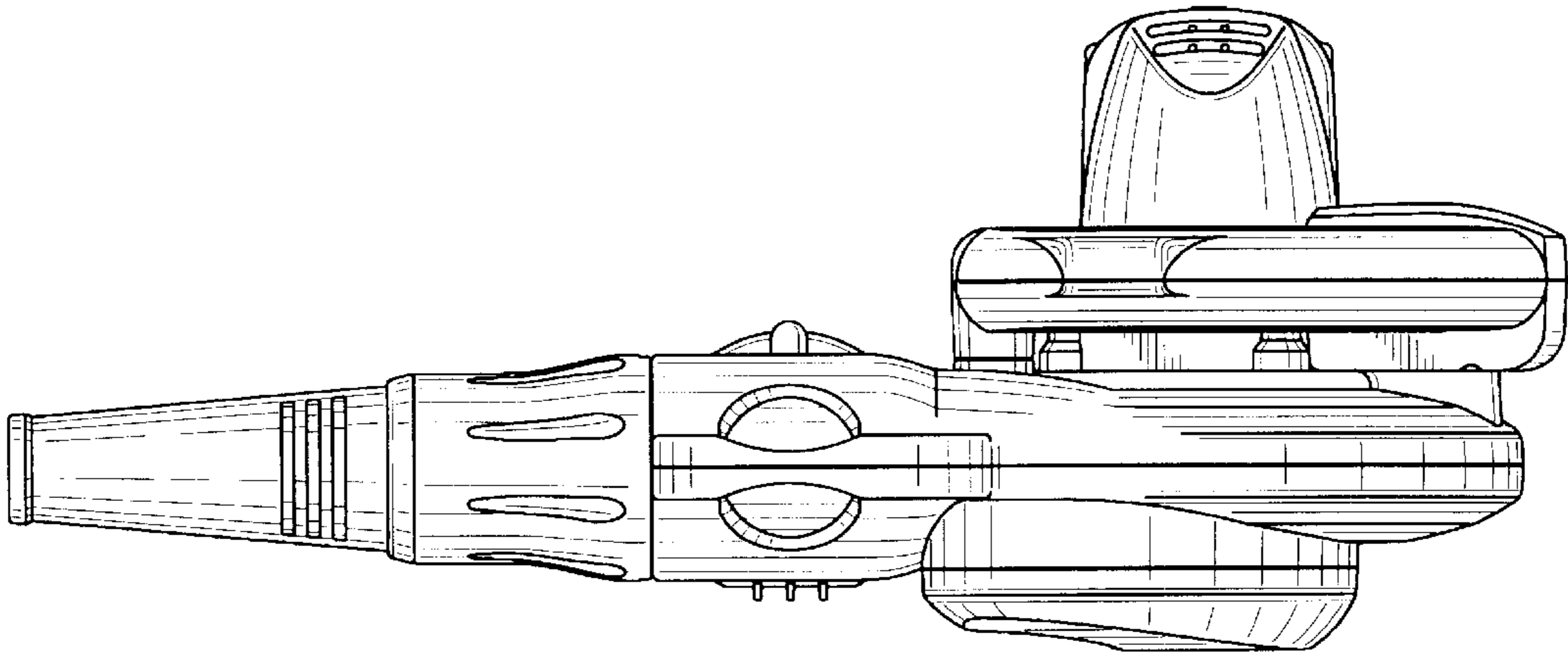


FIG. 7

