



US00D480843S

(12) **United States Design Patent**  
**Sullivan**

(10) **Patent No.:** **US D480,843 S**

(45) **Date of Patent:** **\*\* Oct. 14, 2003**

(54) **DOG PACK**

(76) Inventor: **Diane Sullivan**, P.O. Box 26307,  
Phoenix, AZ (US) 85068-6307

(\*\*) Term: **14 Years**

(21) Appl. No.: **29/130,844**

(22) Filed: **Oct. 10, 2000**

(51) **LOC (7) Cl.** ..... **30-04**

(52) **U.S. Cl.** ..... **D30/152**

(58) **Field of Search** ..... D30/152, 144,  
D30/145, 161, 199; D3/216, 217, 231,  
153; 224/42.11, 241, 582, 191; 54/44.1;  
119/850, 858, 907

(56) **References Cited**

**U.S. PATENT DOCUMENTS**

5,644,902 A	*	7/1997	Kemp	.....	54/37.1
D383,255 S	*	9/1997	Caditz	.....	D30/145
D384,780 S	*	10/1997	McLaughlin	.....	D30/152
5,887,772 A	*	3/1999	Dooley	.....	224/191
D429,390 S	*	8/2000	Grady et al.	.....	D30/152

\* cited by examiner

*Primary Examiner*—Pamela Burgess

(74) *Attorney, Agent, or Firm*—Snell & Wilmer L.L.P.

(57) **CLAIM**

An ornamental design for a dog pack, as shown and described.

**DESCRIPTION**

FIG. 1 is a left side elevational view of a dog pack showing my new design, the broken lines shown are for illustrative purposes only and form no part of the claimed design;

FIG. 2 is a top plan view thereof;

FIG. 3 is a left side elevational view thereof;

FIG. 4 is a right side elevational view thereof;

FIG. 5 is a bottom plan view thereof;

FIG. 6 is a rear elevational view thereof;

FIG. 7 is a front elevational view thereof;

FIG. 8 is a top plan view thereof, showing a first handle design as in FIG. 2 in an alternate position;

FIG. 9 is a top plan view thereof, showing a first handle design as in FIG. 2 in an alternate position;

FIG. 10 is a top plan view thereof, showing a first handle design as in FIG. 2 in an alternate position;

FIG. 11 is a top plan view of the bodice of the dog pack shown separately with the pouches omitted for convenience of illustration and showing a first handle design as in FIG. 2 in an alternate position;

FIG. 12 is a right side elevational view thereof, showing a second handle design in an alternate position;

FIG. 13 is a top plan view thereof, showing a second handle design in an alternate position;

FIG. 14 is a top plan view thereof, showing a second handle design in an alternate position;

FIG. 15 is a right side elevational view of the bodice of the dog pack shown separately with the pouches omitted and without a handle for convenience of illustration;

FIG. 16 is a left side elevational view of the bodice of the dog pack shown separately with the pouches omitted and without a handle for convenience of illustration;

FIG. 17 is an elevational view of the adjustable handle strapping shown separately for clarity of disclosure;

FIG. 18 is an elevational view of another adjustable handle strapping, shown separately for clarity of disclosure;

FIG. 19 is a perspective view of a pad component of a second handle design shown separately for clarity of disclosure;

FIG. 20 is a perspective view of a pad component of a first handle design shown separately for clarity of disclosure;

FIG. 21 is a top plan view thereof, showing a second handle design in an alternate position;

FIG. 22 is a top plan view thereof, showing a second handle design in an alternate position;

FIG. 23 is a top plan view of the bodice of the dog pack with the pouch assembly omitted for convenience of illustration, showing the second handle design in an alternate position;

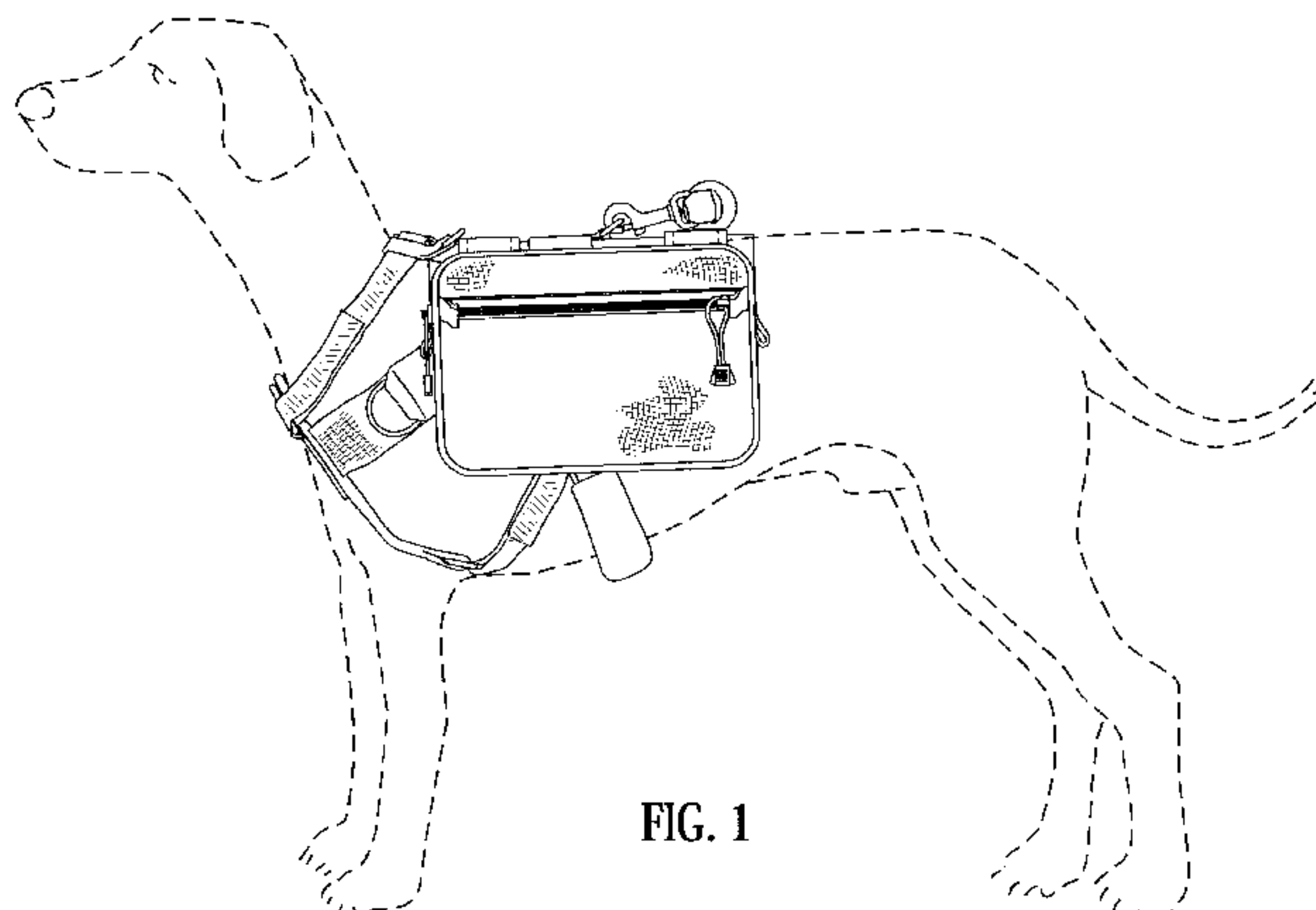


FIG. 1

FIG. 24 is a top plan view thereof, showing a second handle design in an alternate position;

FIG. 25 is a top plan view thereof, showing a second handle design in an alternate position;

FIG. 26 is a left side elevational view of the bodice of the dog pack with the pouch assembly omitted for convenience of illustration, showing the second handle design in an alternate position; and,

FIG. 27 is a right side elevational view of the bodice of the dog pack with the pouch assembly omitted for convenience of illustration, showing the second handle design in an alternate position.

The broken lines of a dog shown in FIG. 1 are for illustrative purposes only and form no part of the claimed design.

**1 Claim, 13 Drawing Sheets**

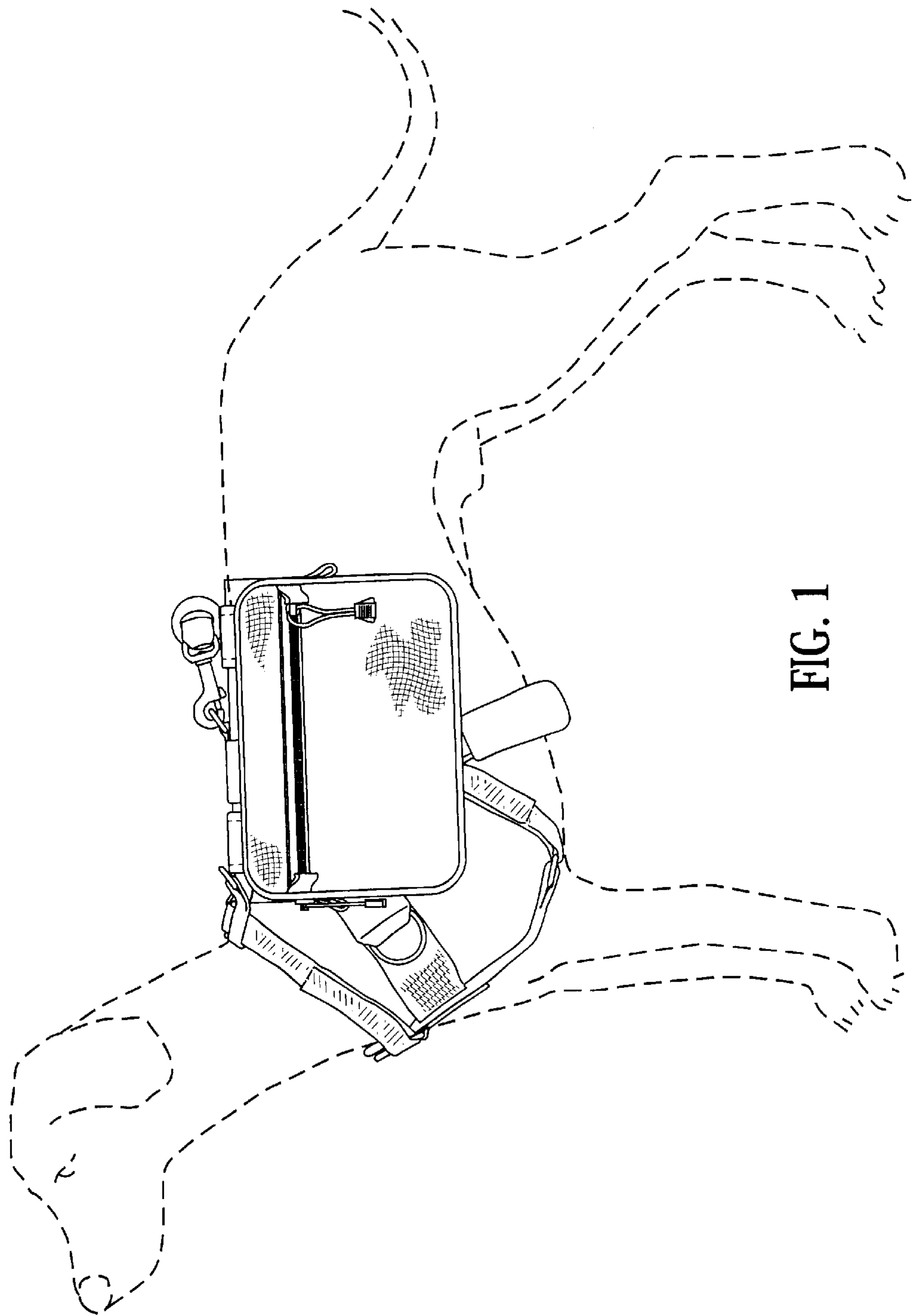


FIG. 1

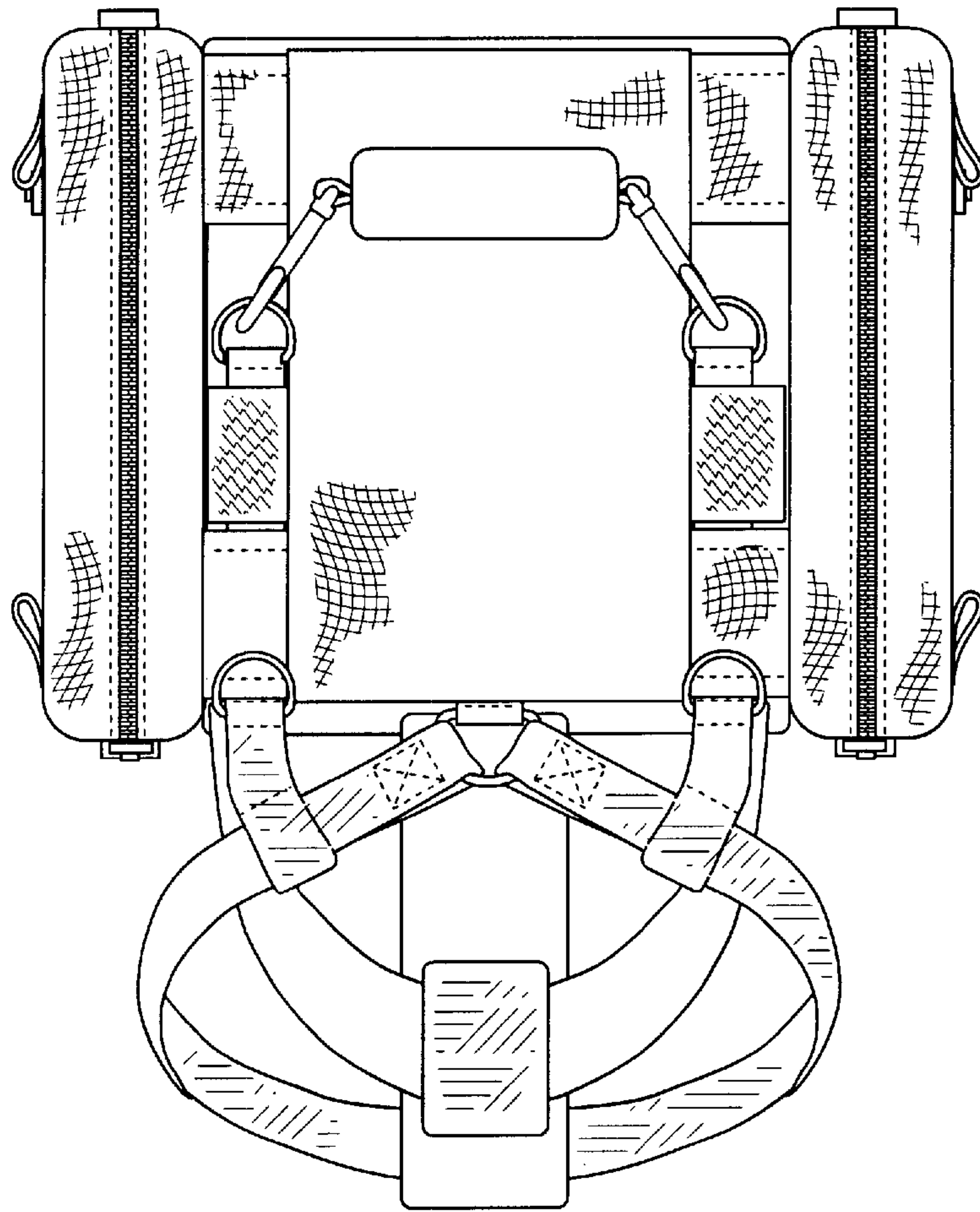


FIG. 2

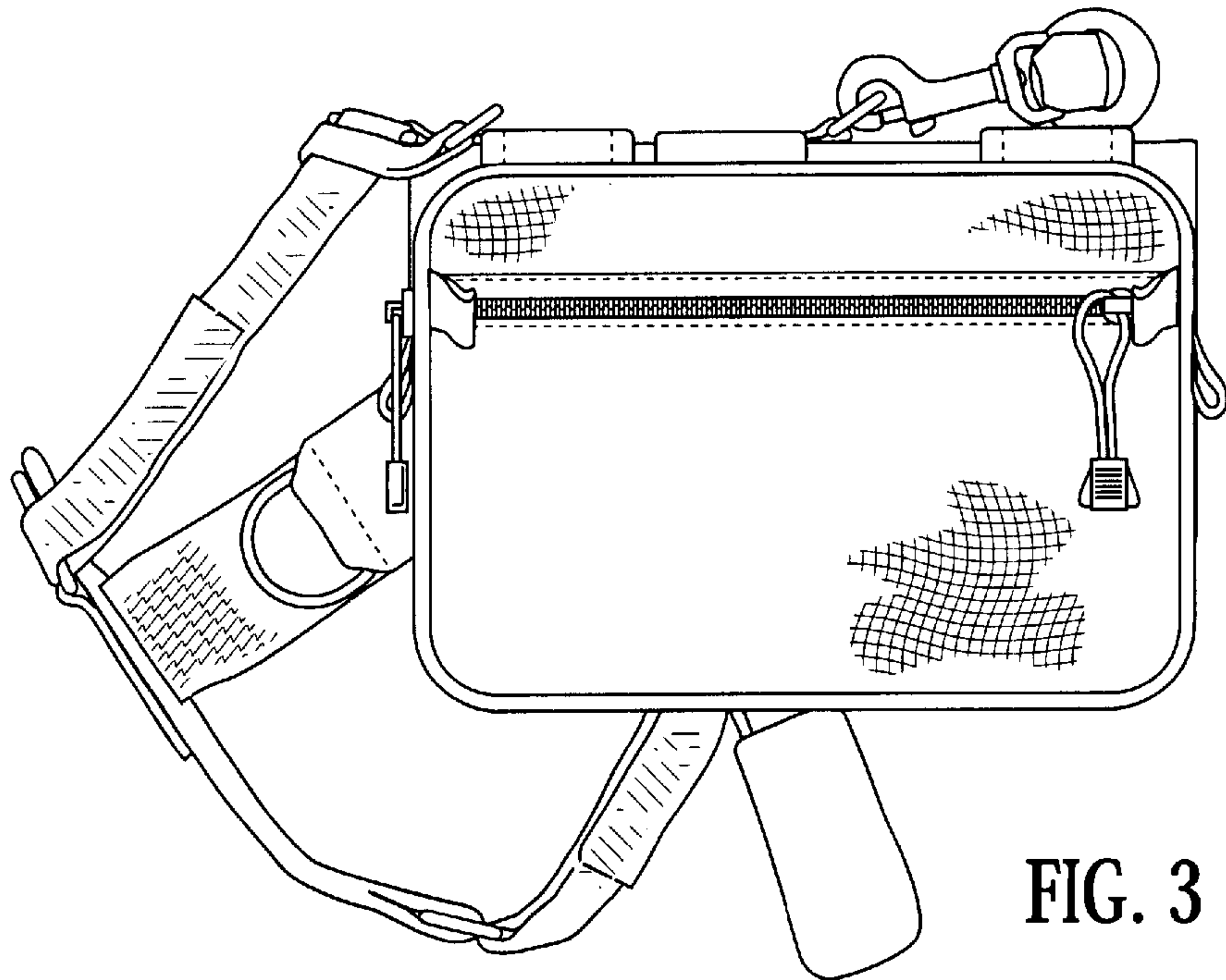


FIG. 3



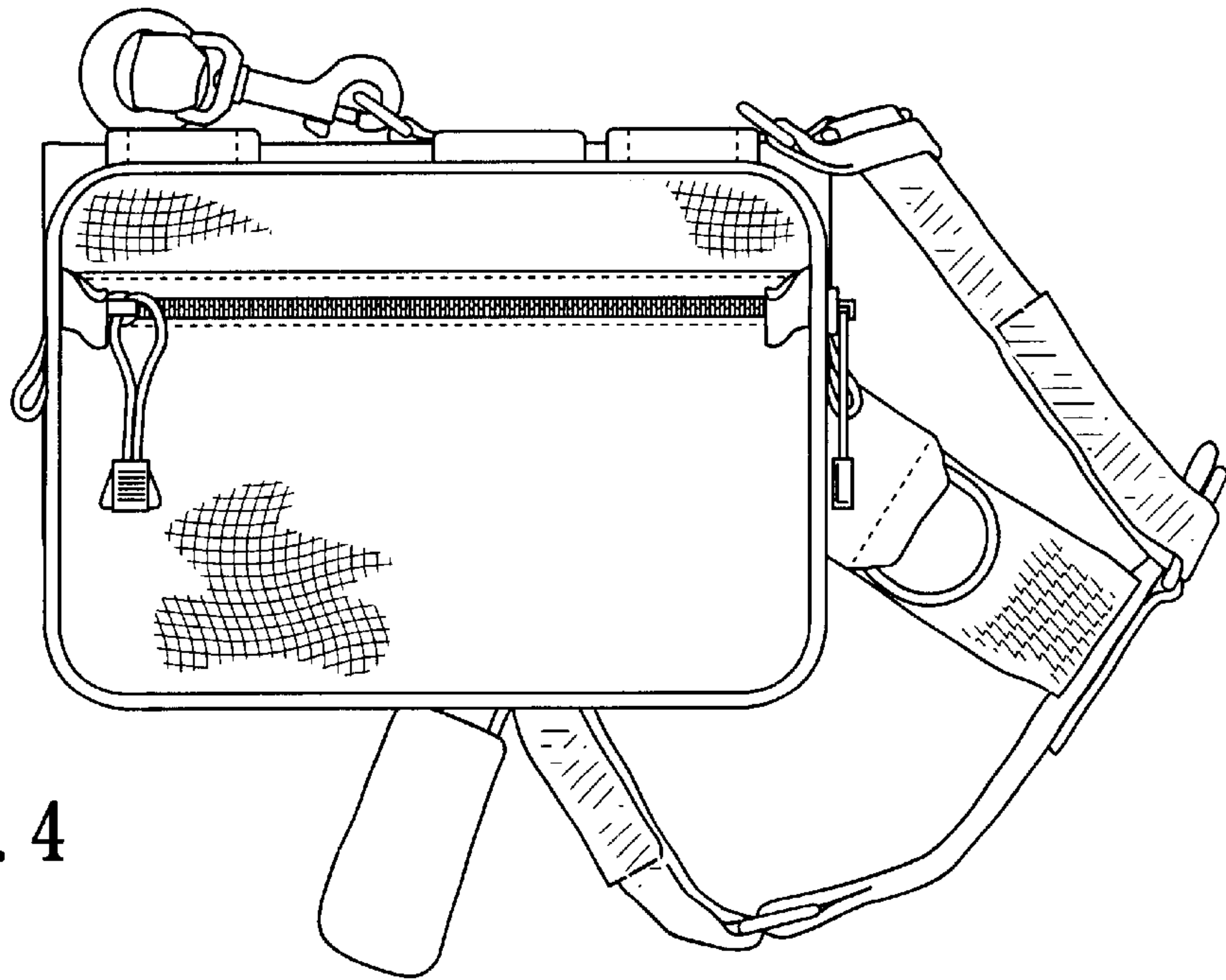


FIG. 4

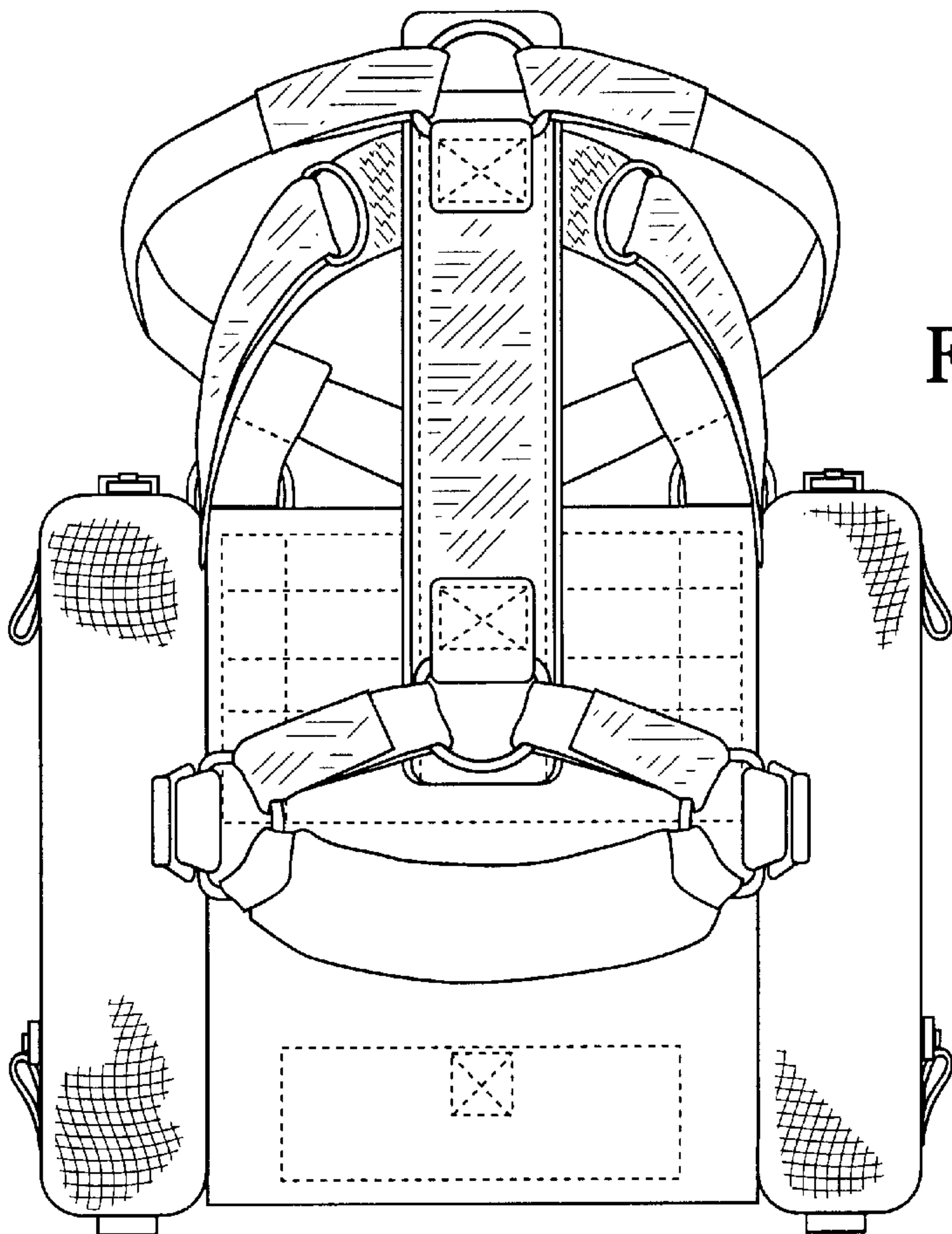


FIG. 5

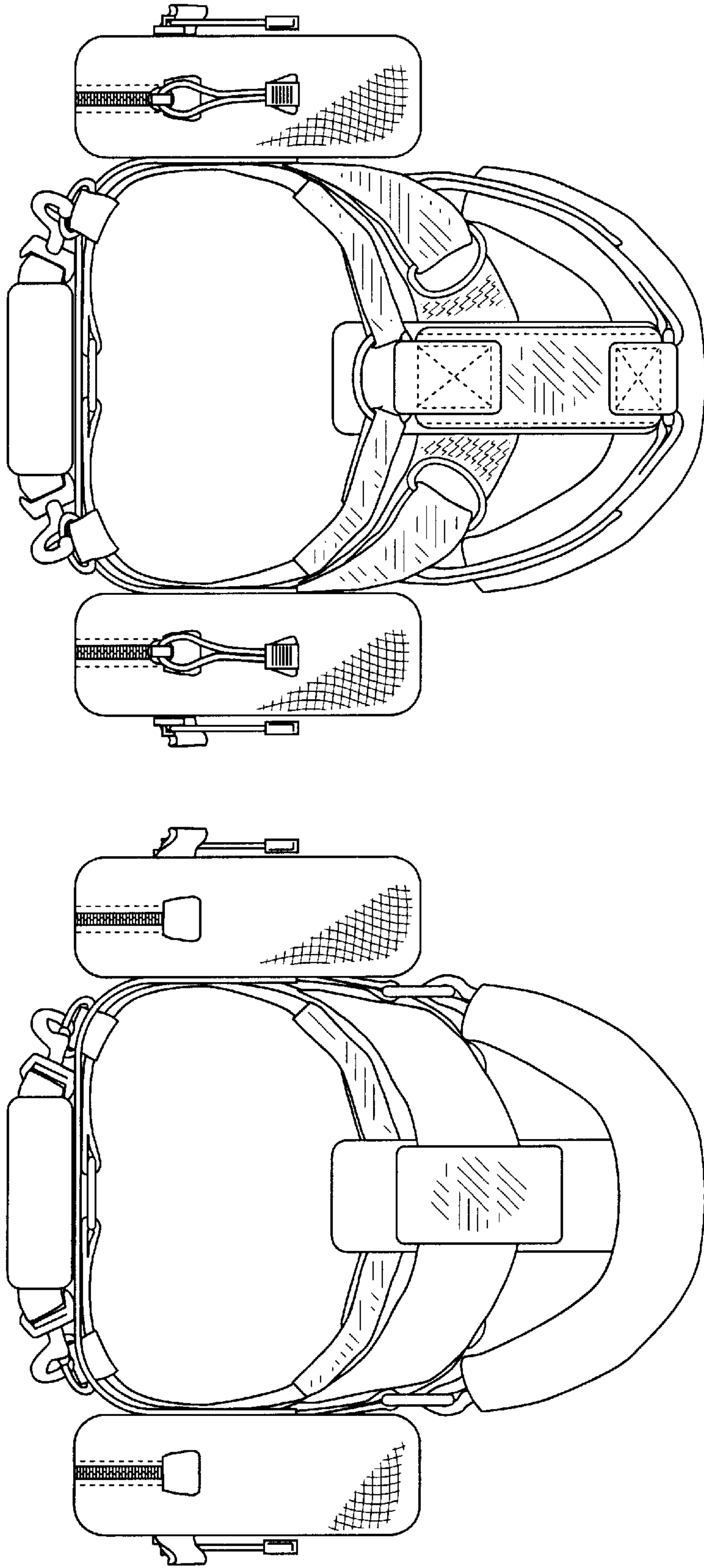


FIG. 7

FIG. 6

FIG. 9

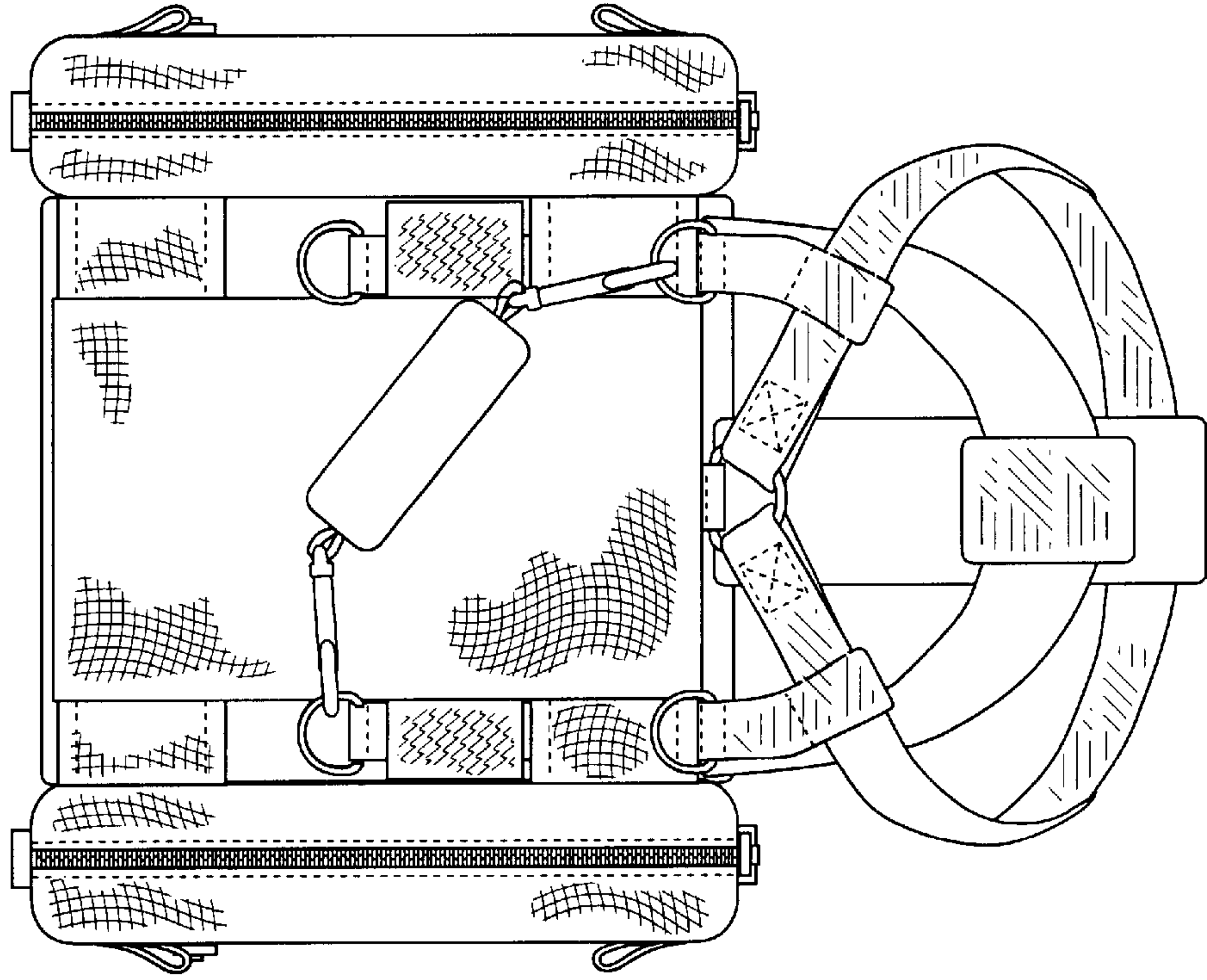


FIG. 8

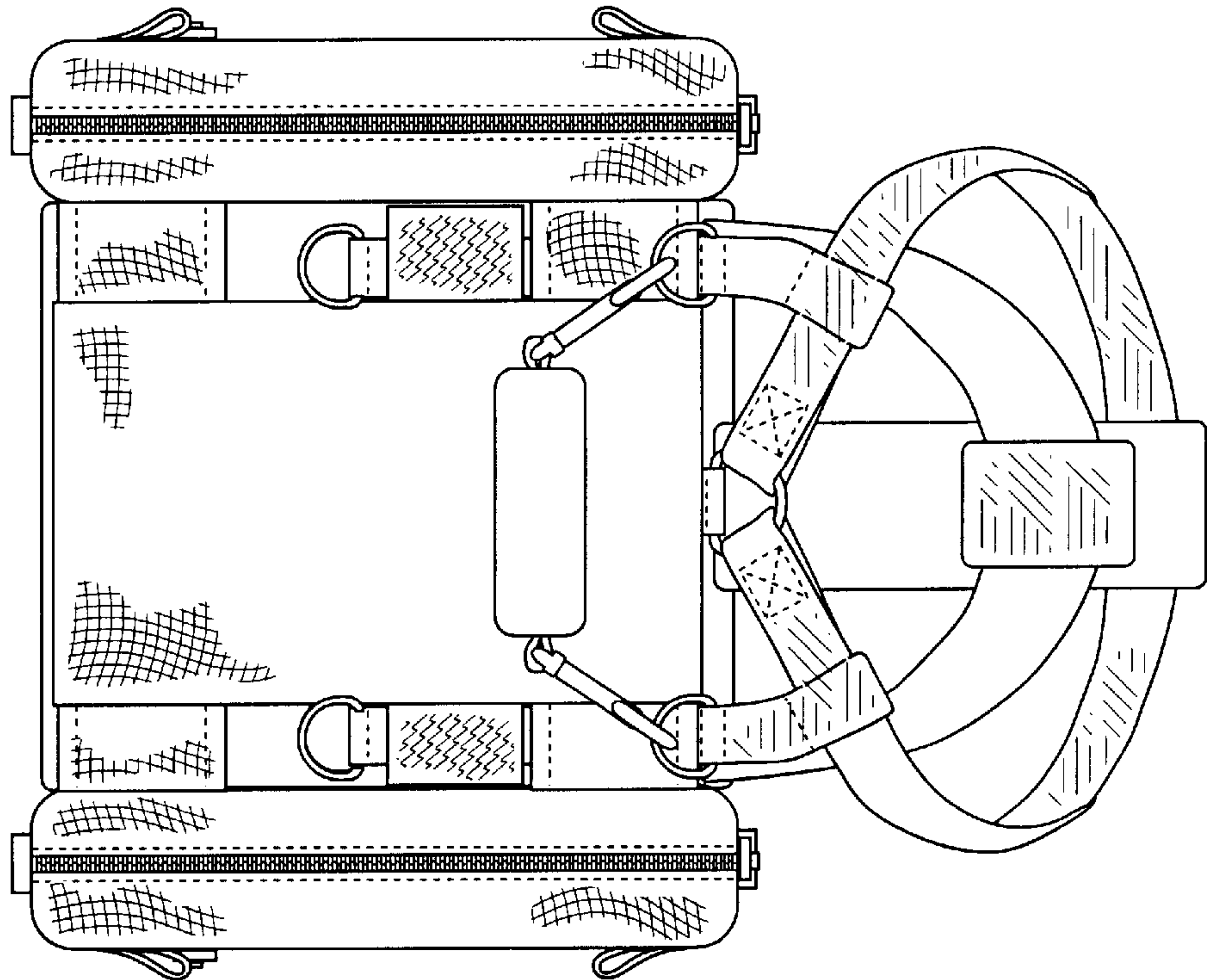




FIG. 11

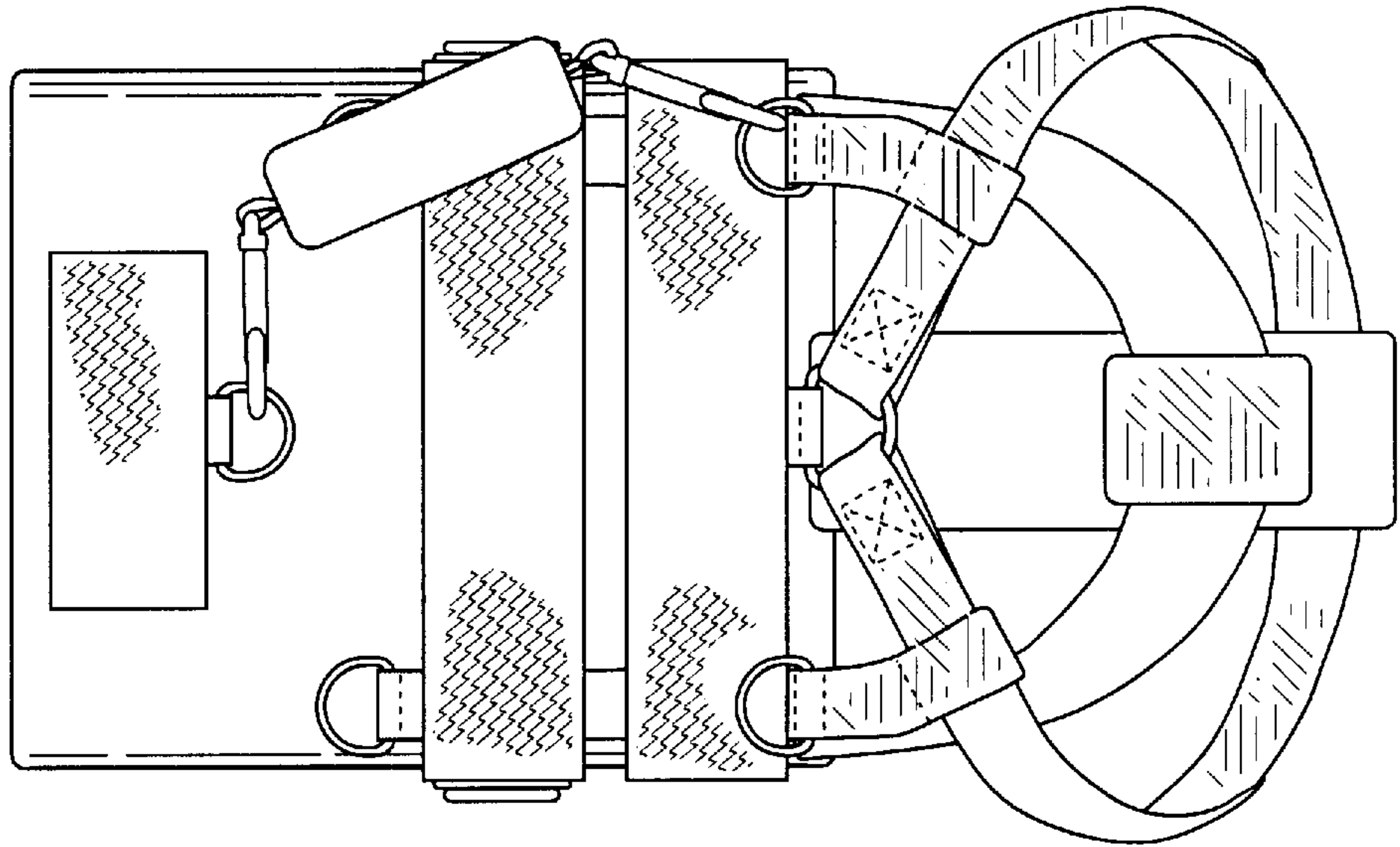
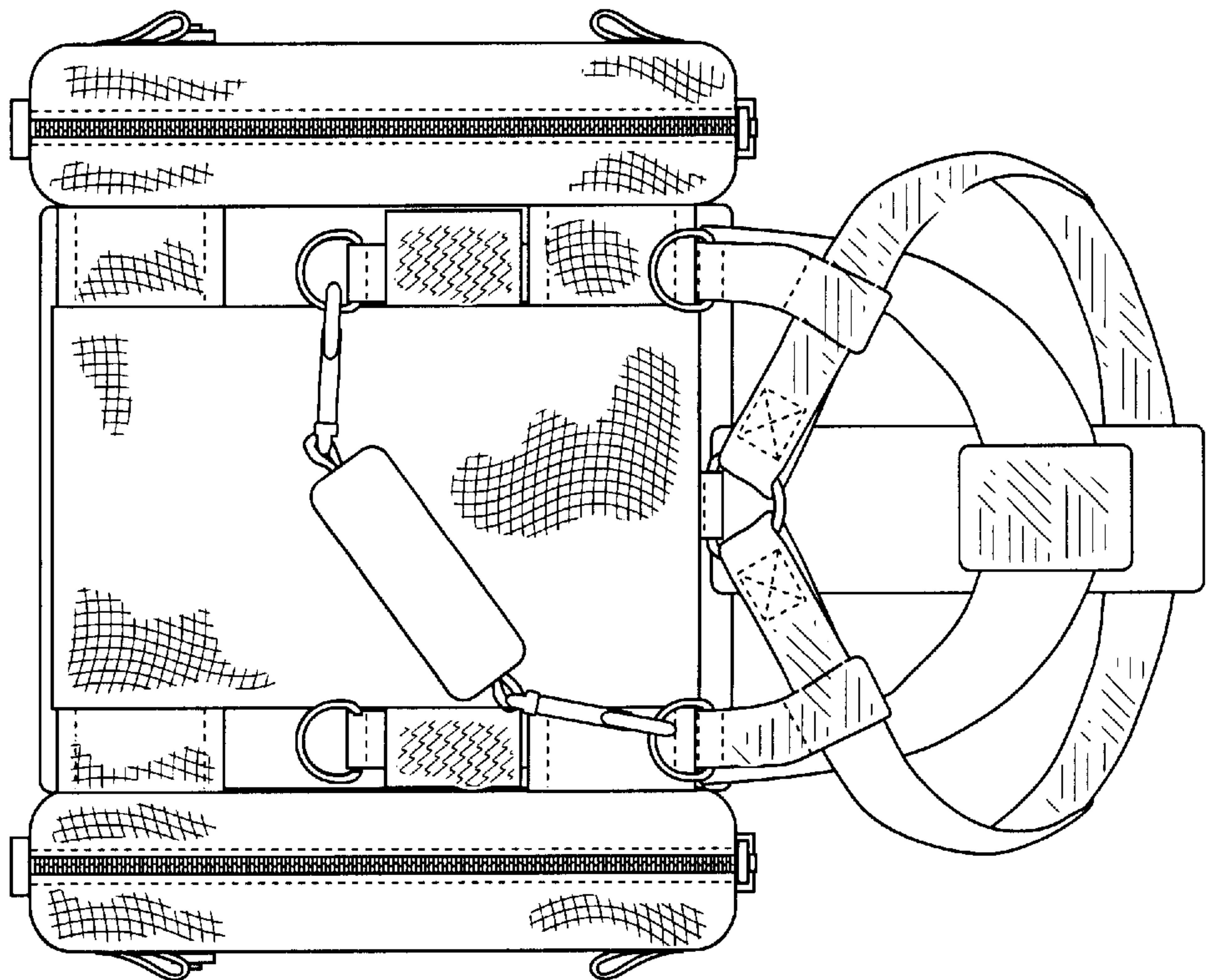


FIG. 10





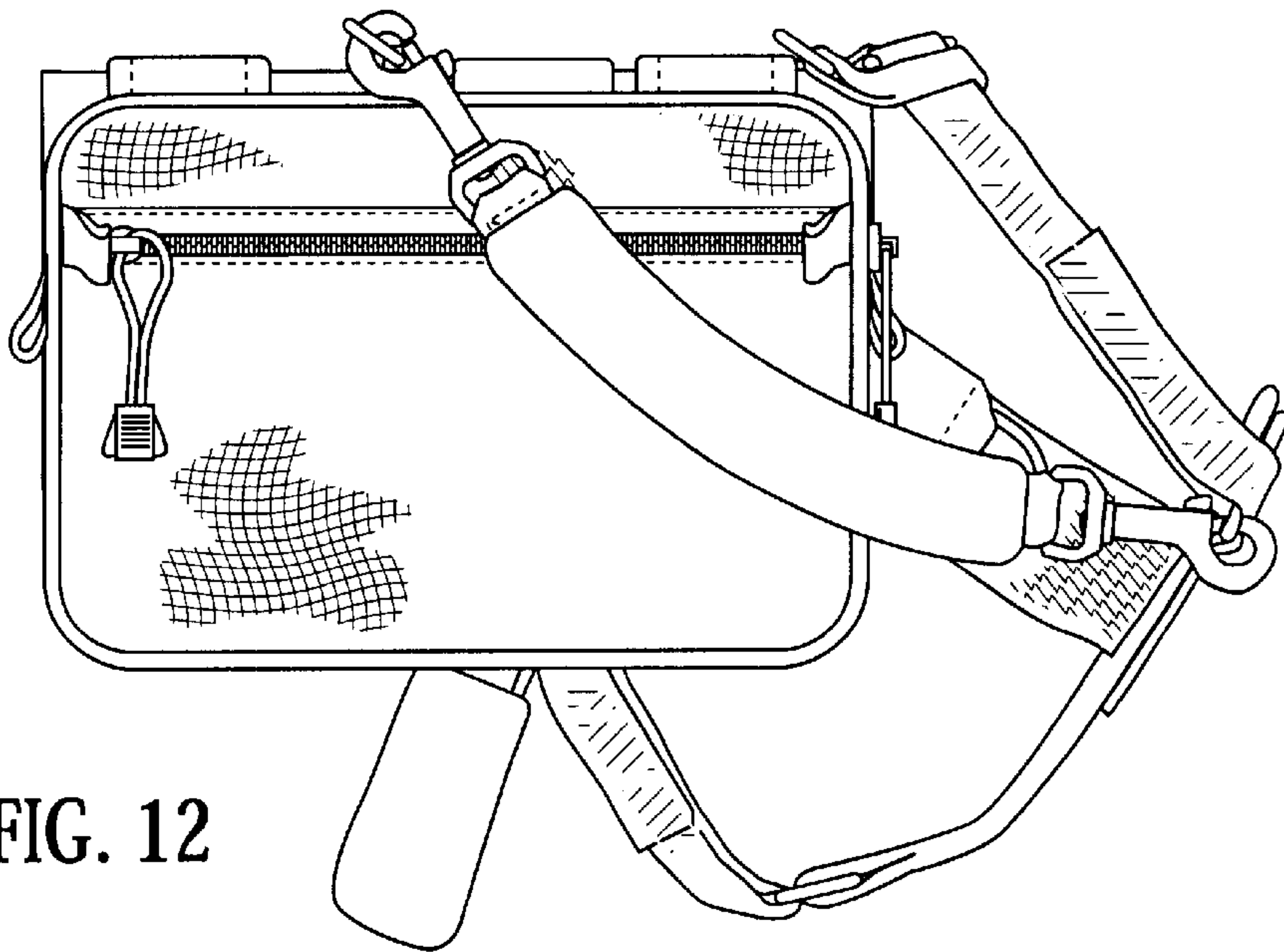


FIG. 12

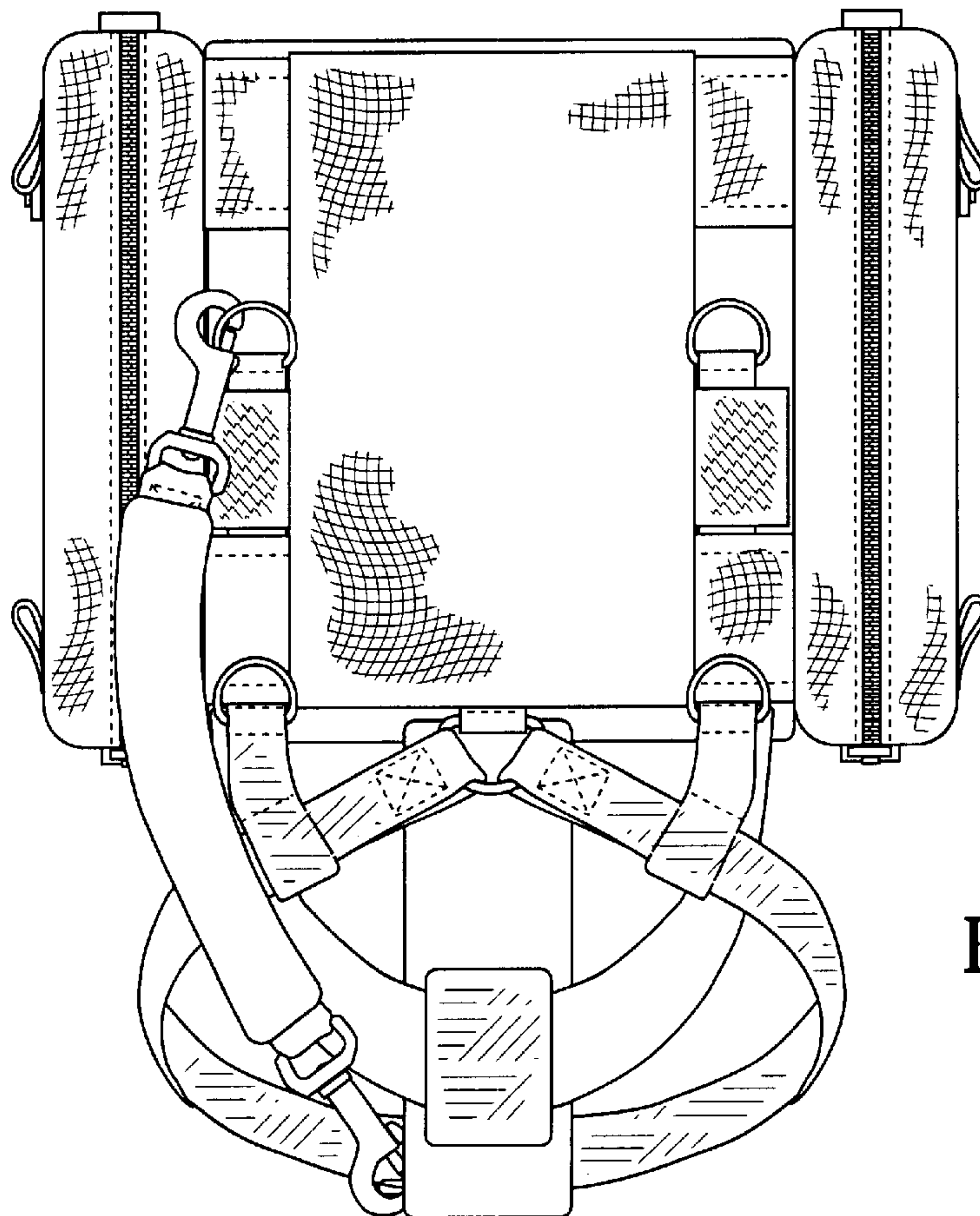


FIG. 13

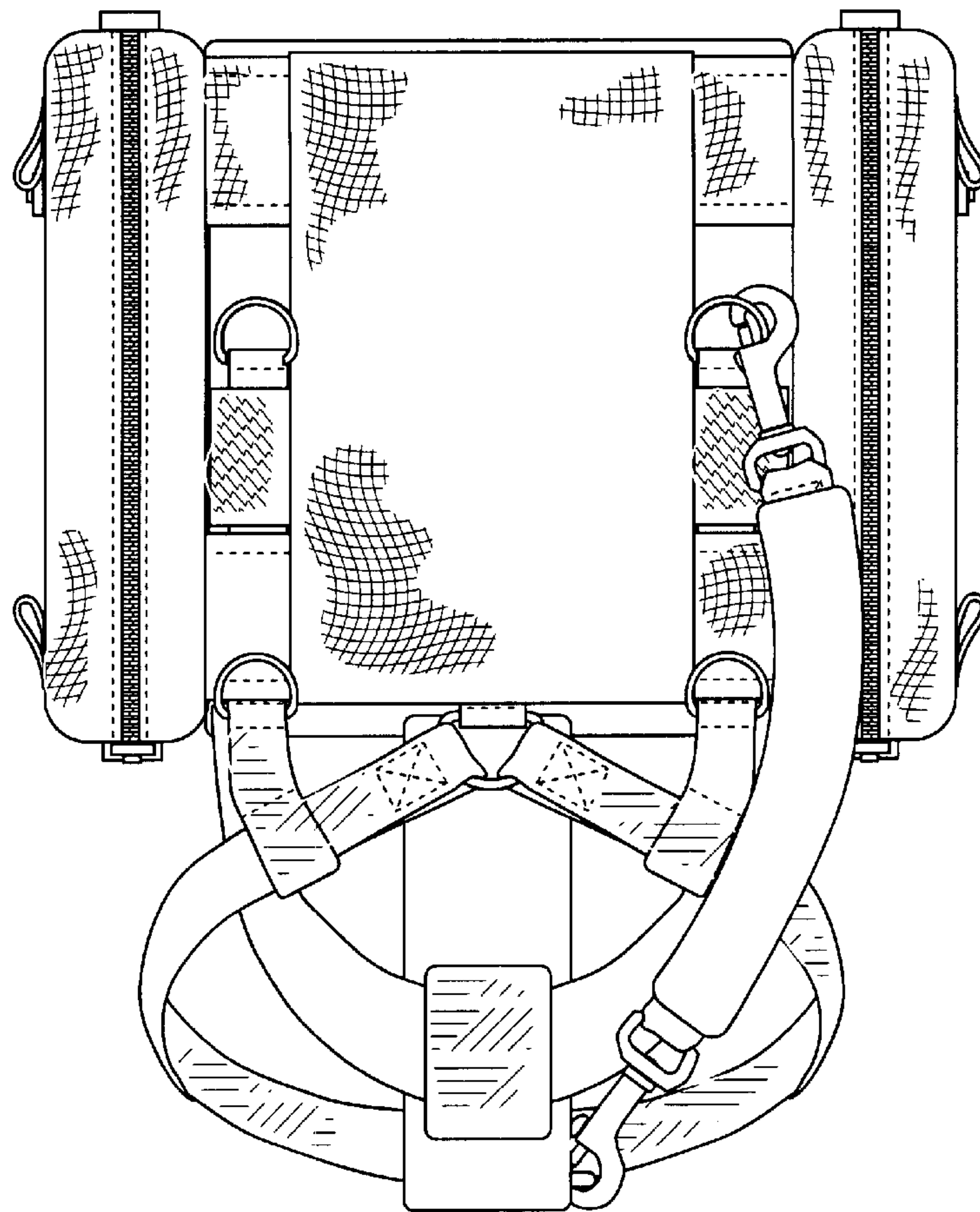


FIG. 14

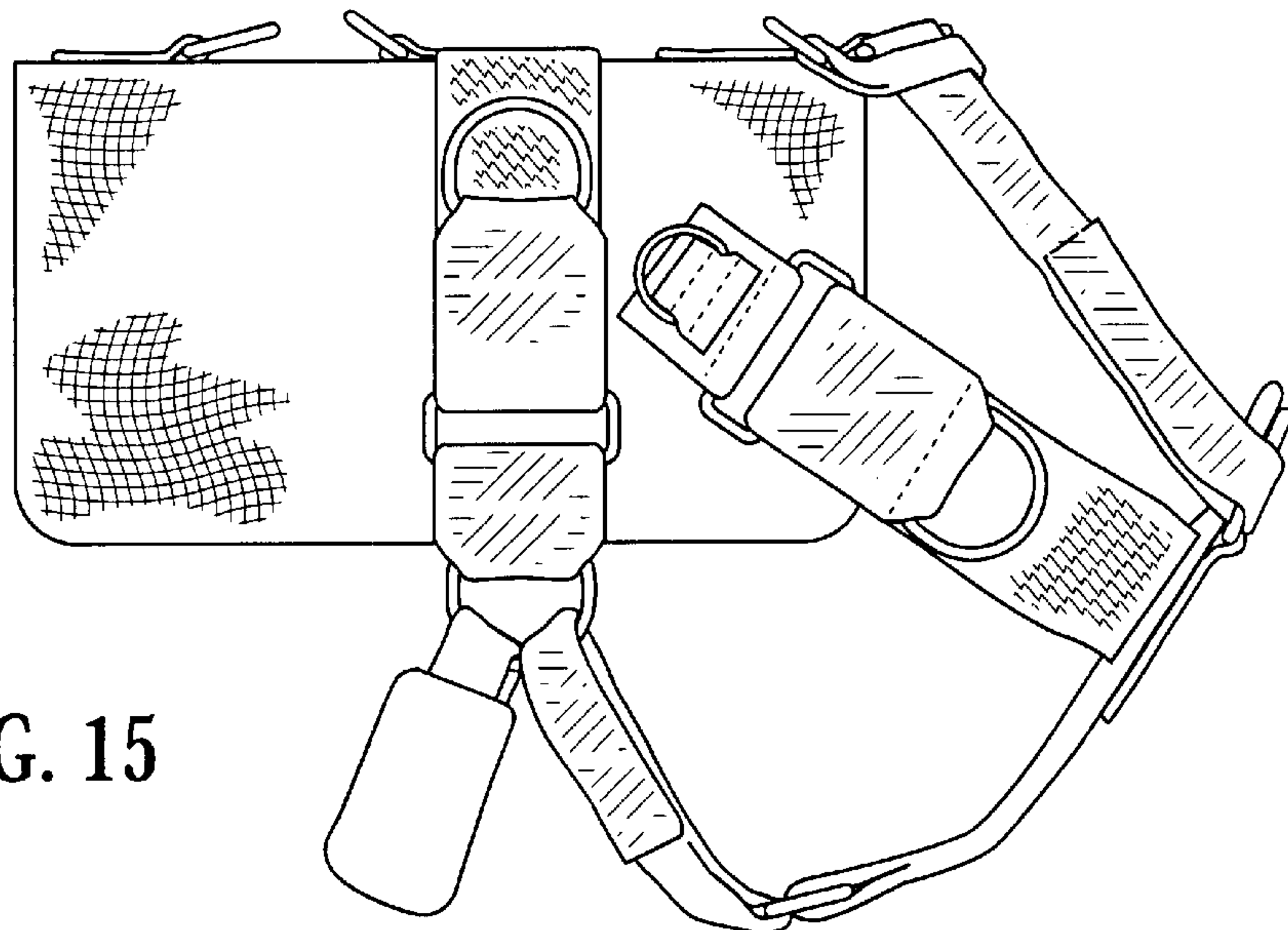


FIG. 15

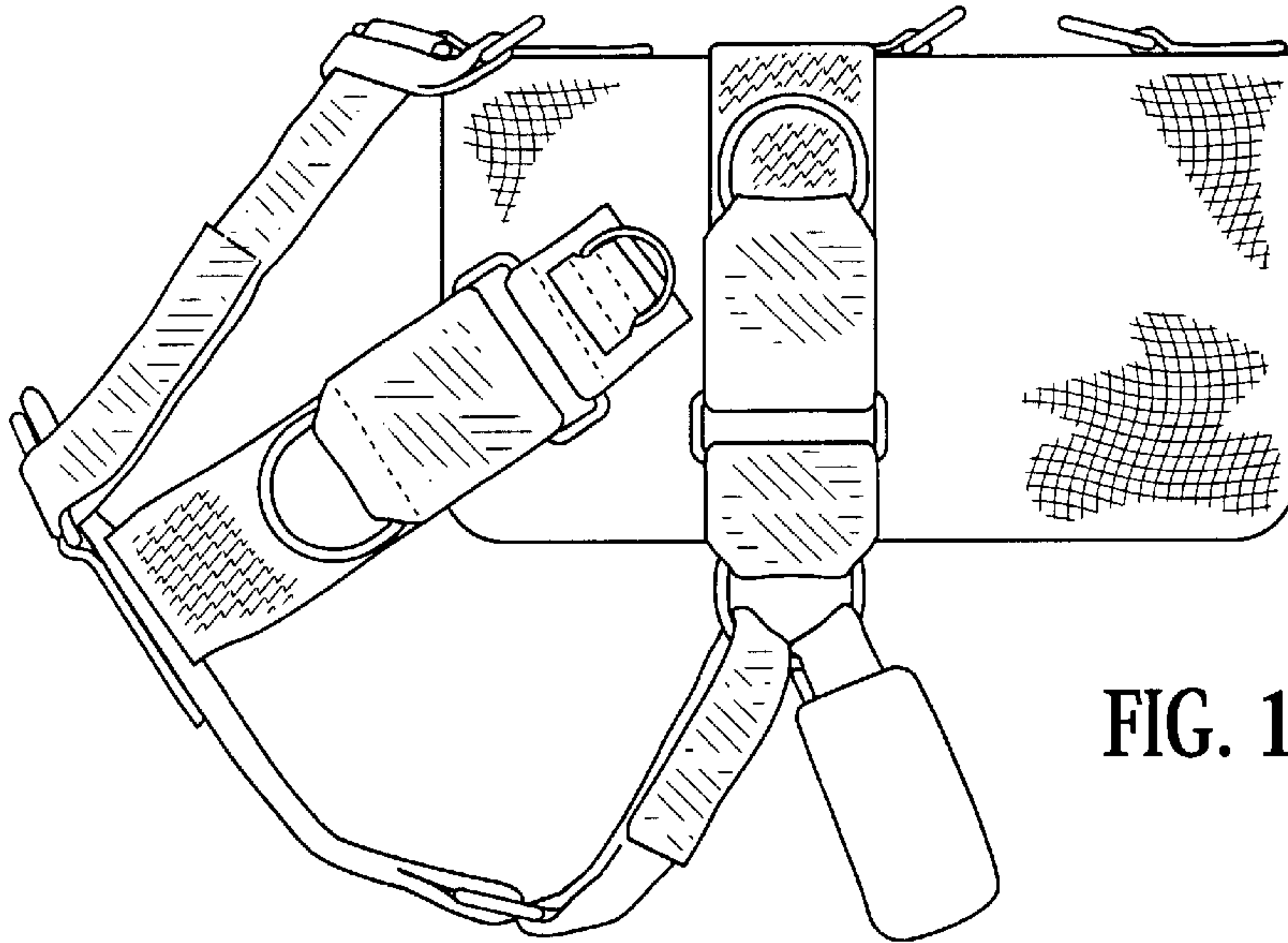


FIG. 16

FIG. 17

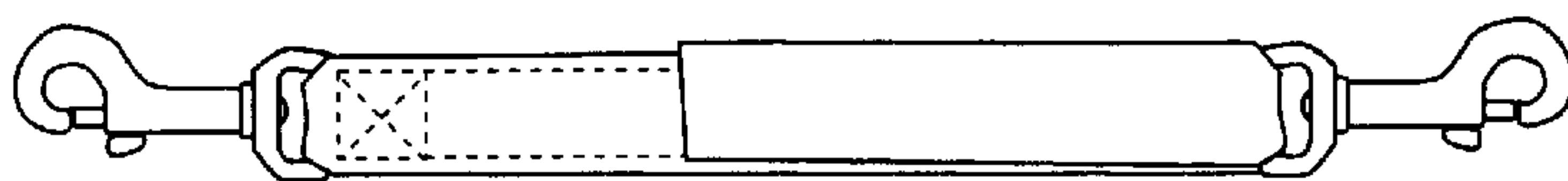


FIG. 18

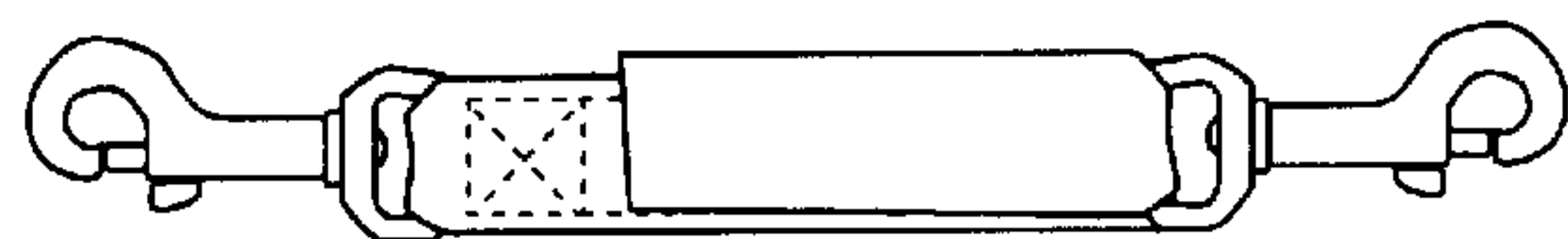


FIG. 19

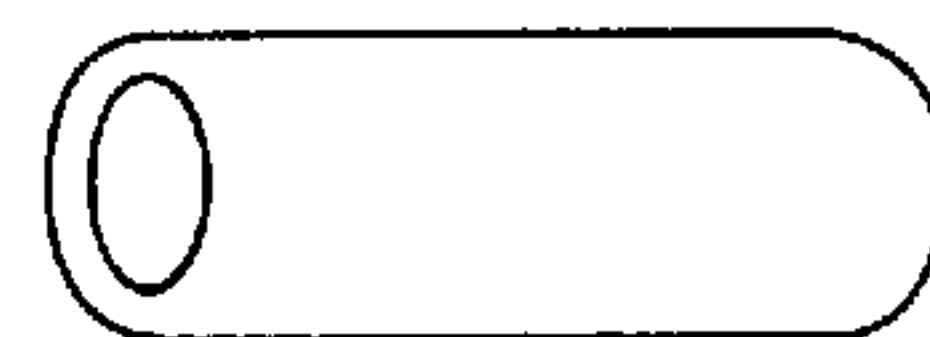


FIG. 20



FIG. 22

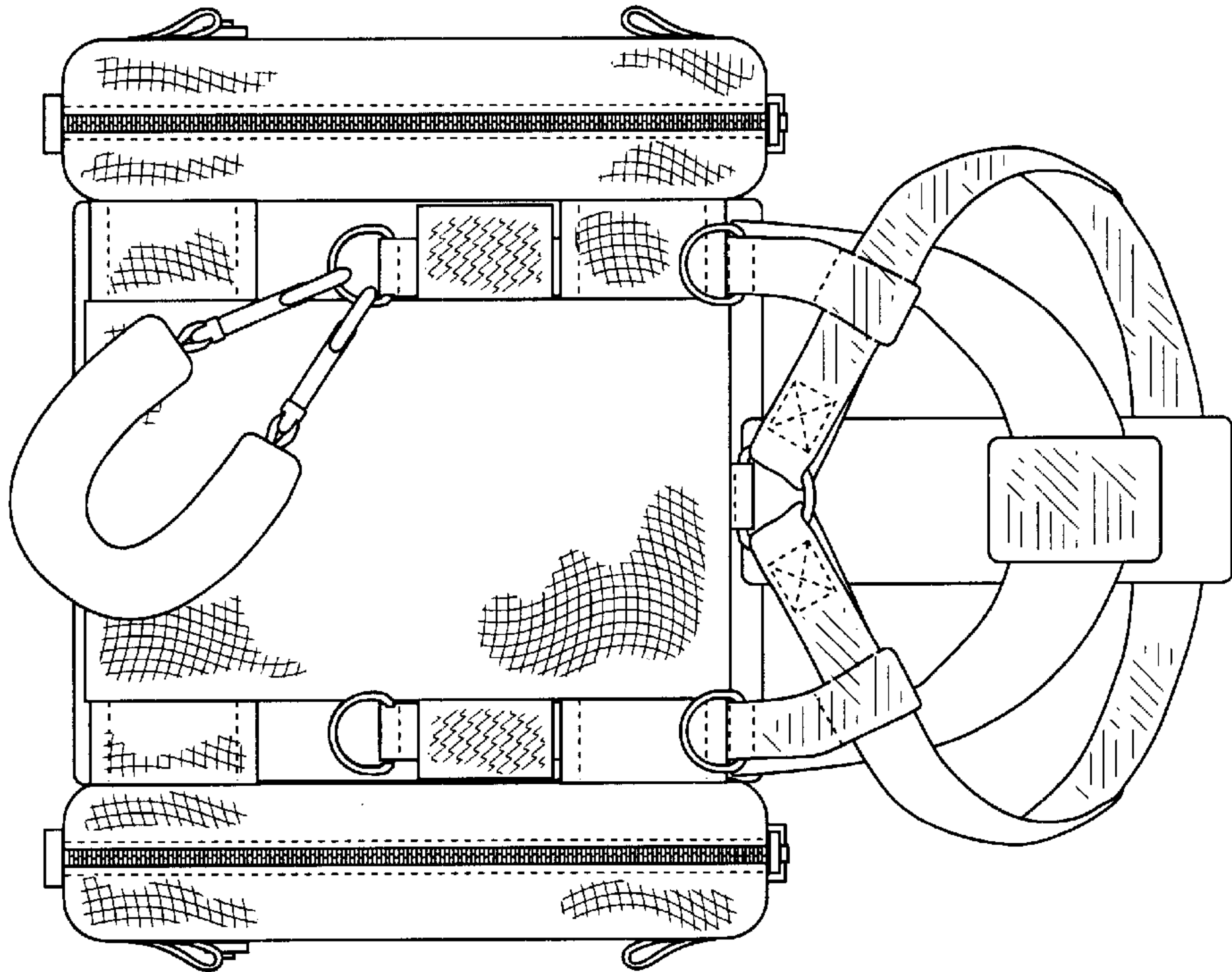


FIG. 21

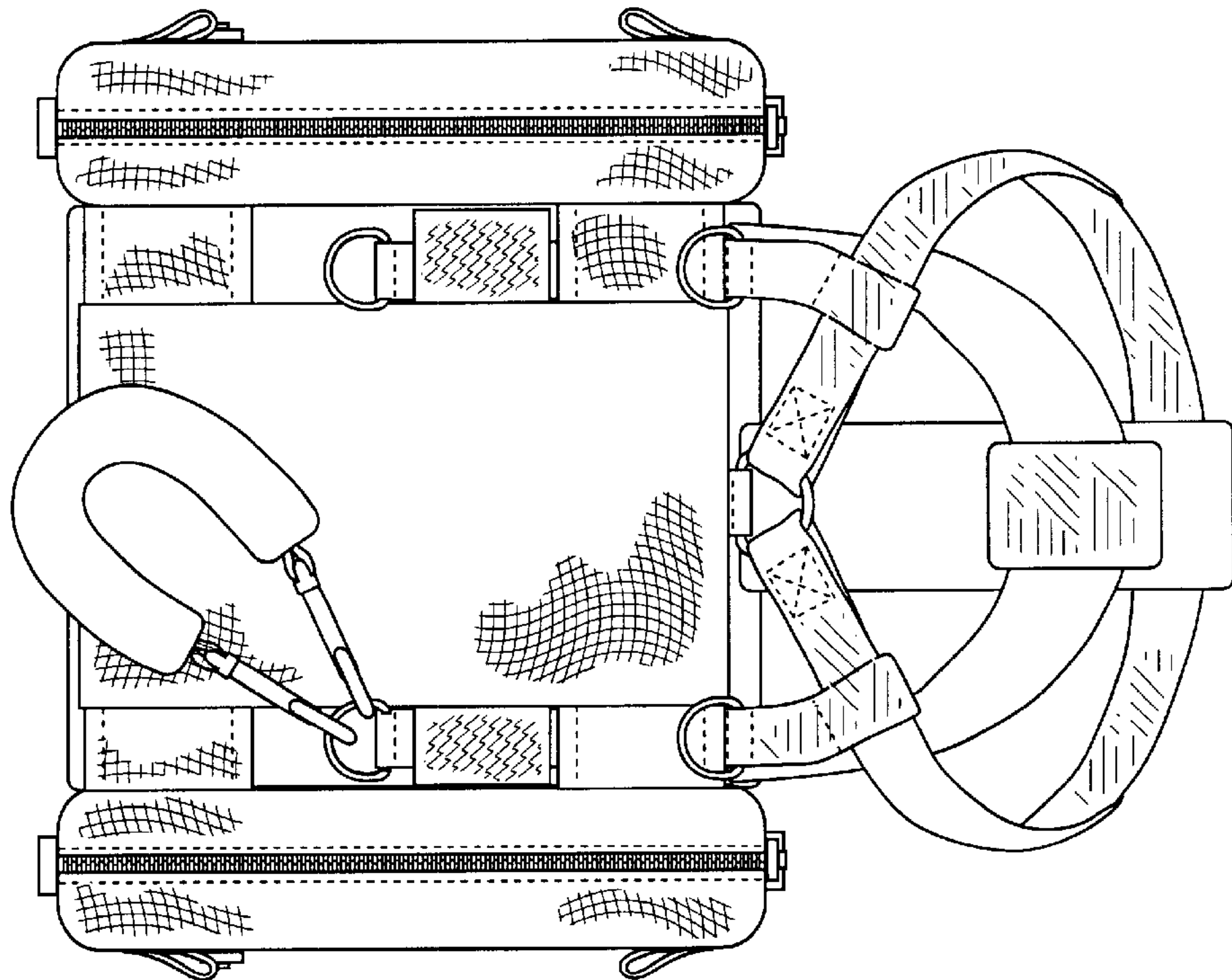


FIG. 23

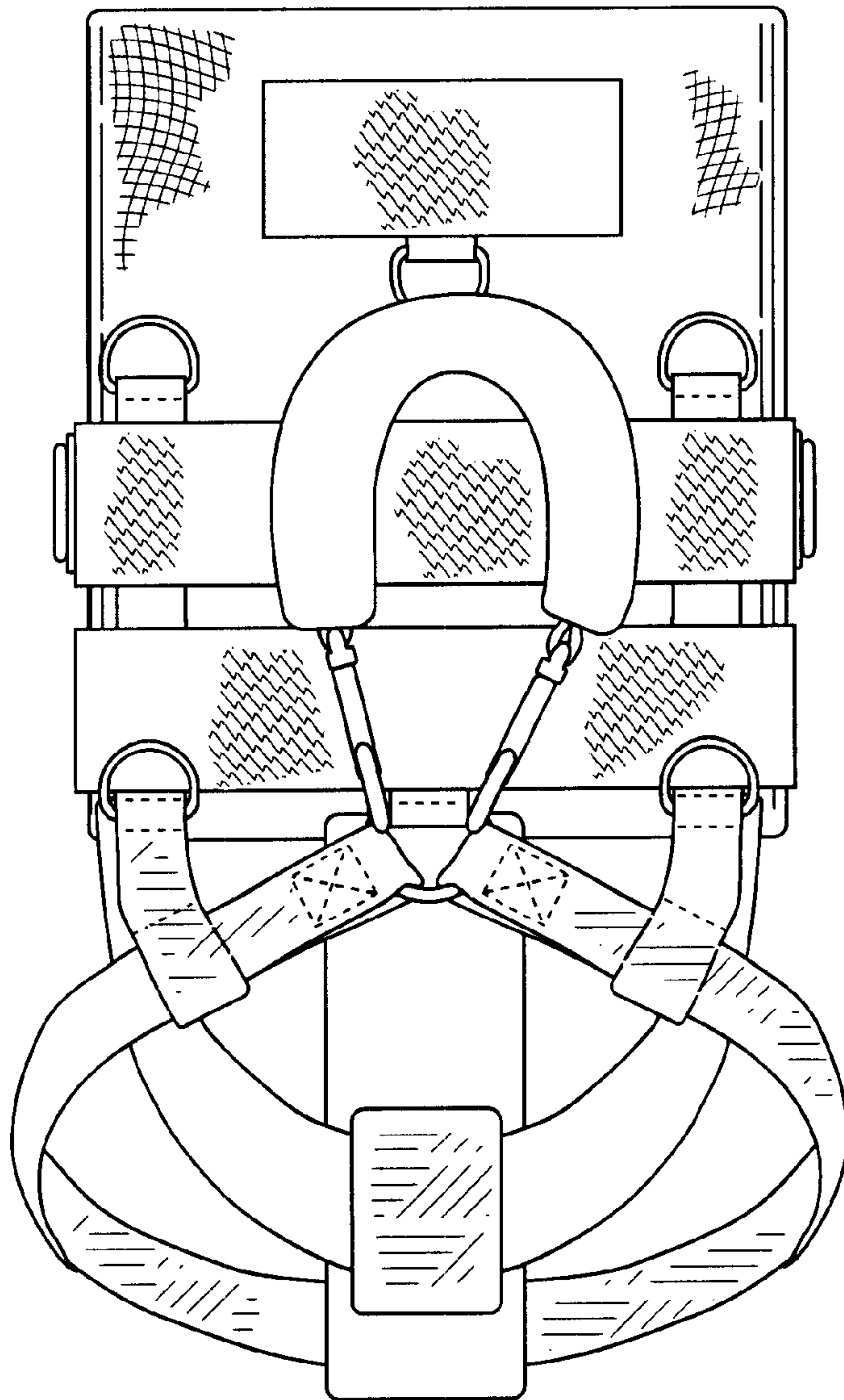


FIG. 25

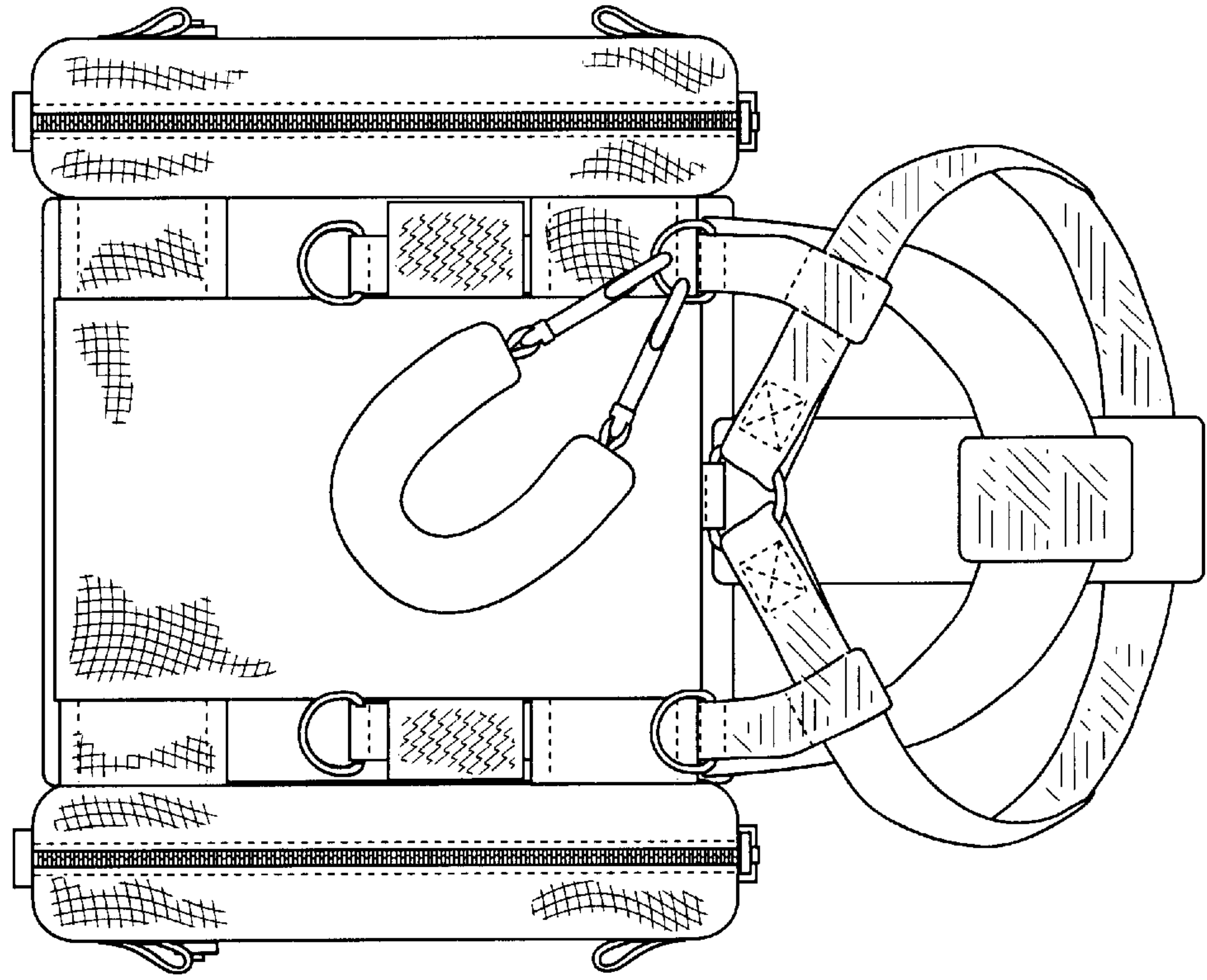
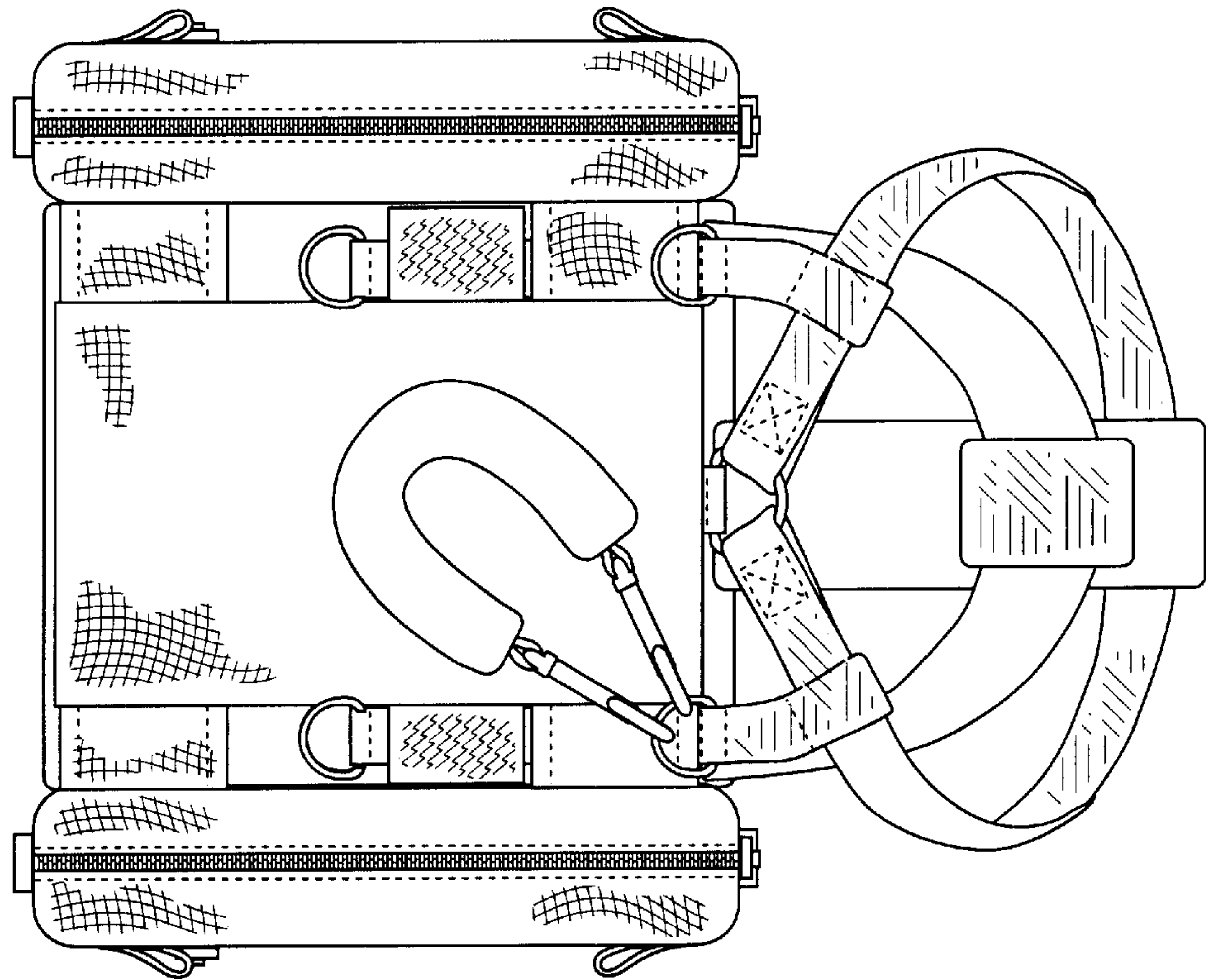


FIG. 24





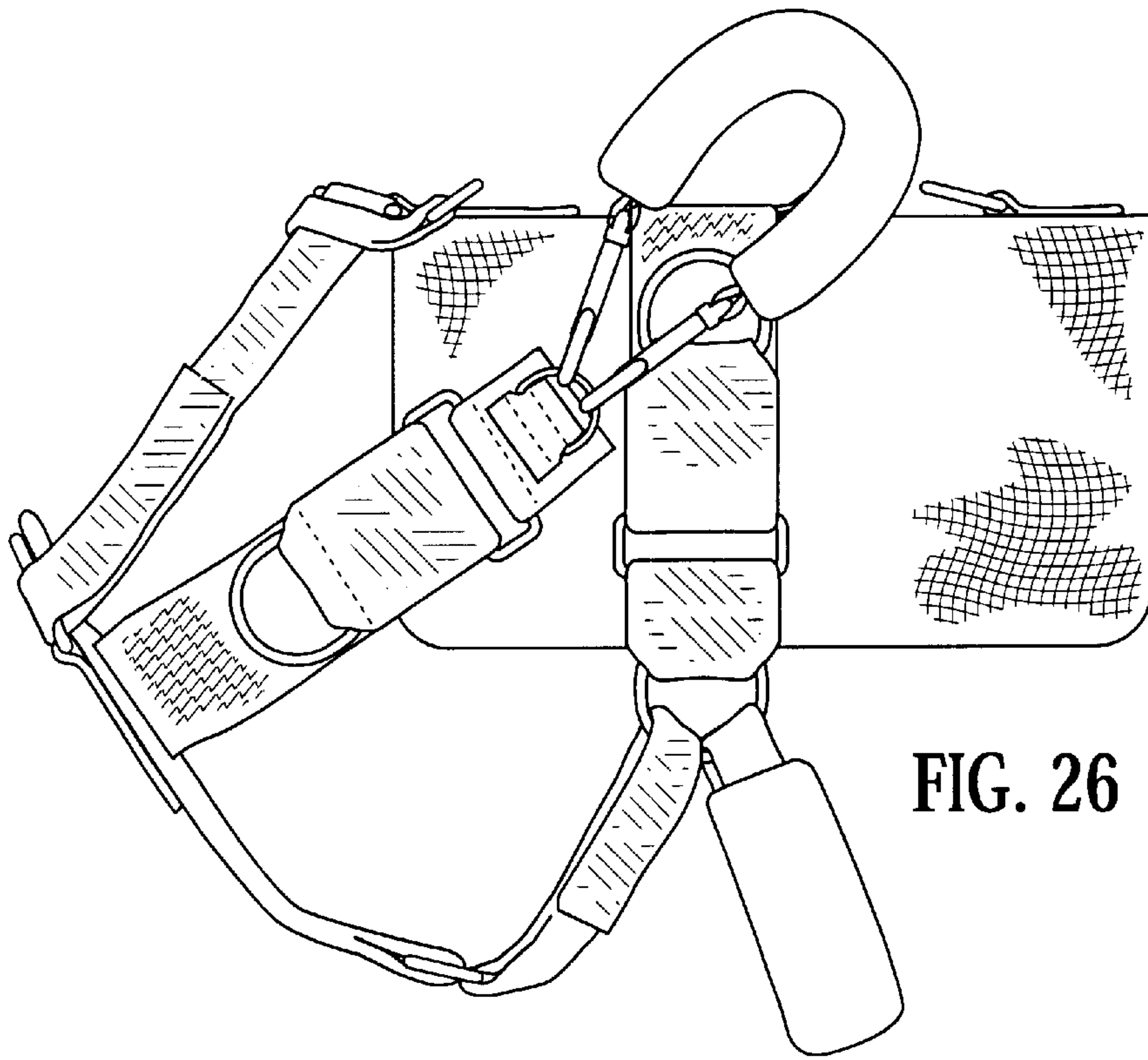


FIG. 26

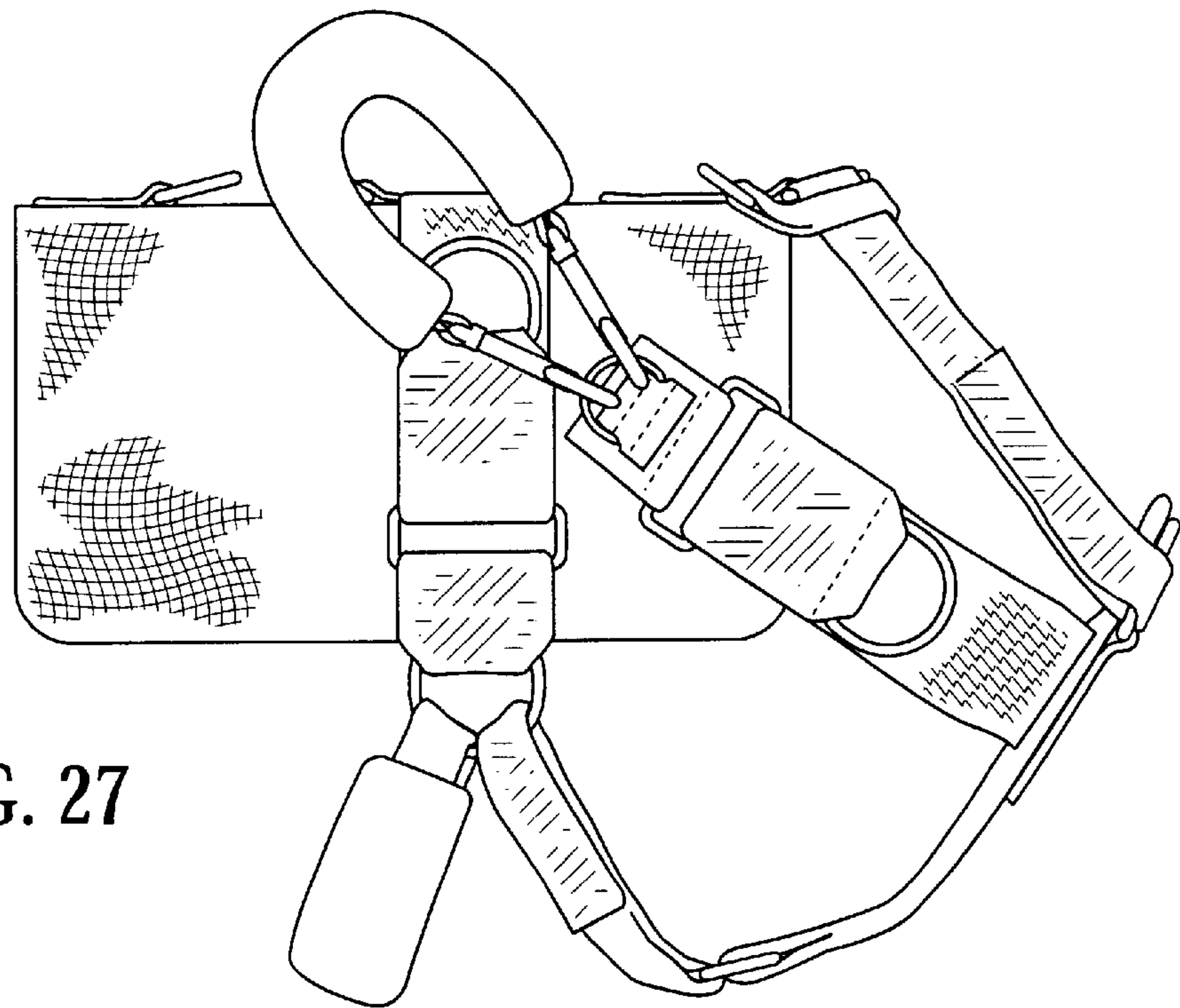


FIG. 27