



US00D480841S

(12) **United States Design Patent**
Bird

(10) **Patent No.:** **US D480,841 S**

(45) **Date of Patent:** **** Oct. 14, 2003**

(54) **SURCINGLE FITTING**

(75) **Inventor:** **Cornelia H. Bird**, Droitwich (GB)

(73) **Assignee:** **C. Bird Fashion Limited**, Droitwich (GB)

(**) **Term:** **14 Years**

(21) **Appl. No.:** **29/145,931**

(22) **Filed:** **Aug. 2, 2001**

(30) **Foreign Application Priority Data**

Feb. 2, 2001 (GB) 2099185

(51) **LOC (7) Cl.** **30-04**

(52) **U.S. Cl.** **D30/138; D8/367; 54/23**

(58) **Field of Search** **D30/138-140; 54/54, 55, 23, 26, 1; D11/200, 201; 24/601.5, 185, 309, 310, 163 R, 182, 599.1, 552, 600.1, 265 R, 265 H, 318, 319, 598.2, 614, 700, 169; D8/349, 367, 382**

(56) **References Cited**

U.S. PATENT DOCUMENTS

25,798 A * 10/1859 Kingston 91/262
219,372 A * 9/1879 Warr 54/23
228,534 A * 6/1880 Hudson et al. 24/169

235,316 A * 12/1880 Trott 54/23
842,081 A * 1/1907 Clark 16/412
971,521 A * 10/1910 Brooks 54/54
2,895,200 A * 7/1959 Gaylord 24/600.6
5,949,339 A * 9/1999 Ettinger et al. 54/1

* cited by examiner

Primary Examiner—Pamela Burgess

(74) *Attorney, Agent, or Firm*—Pillsbury Winthrop LLP

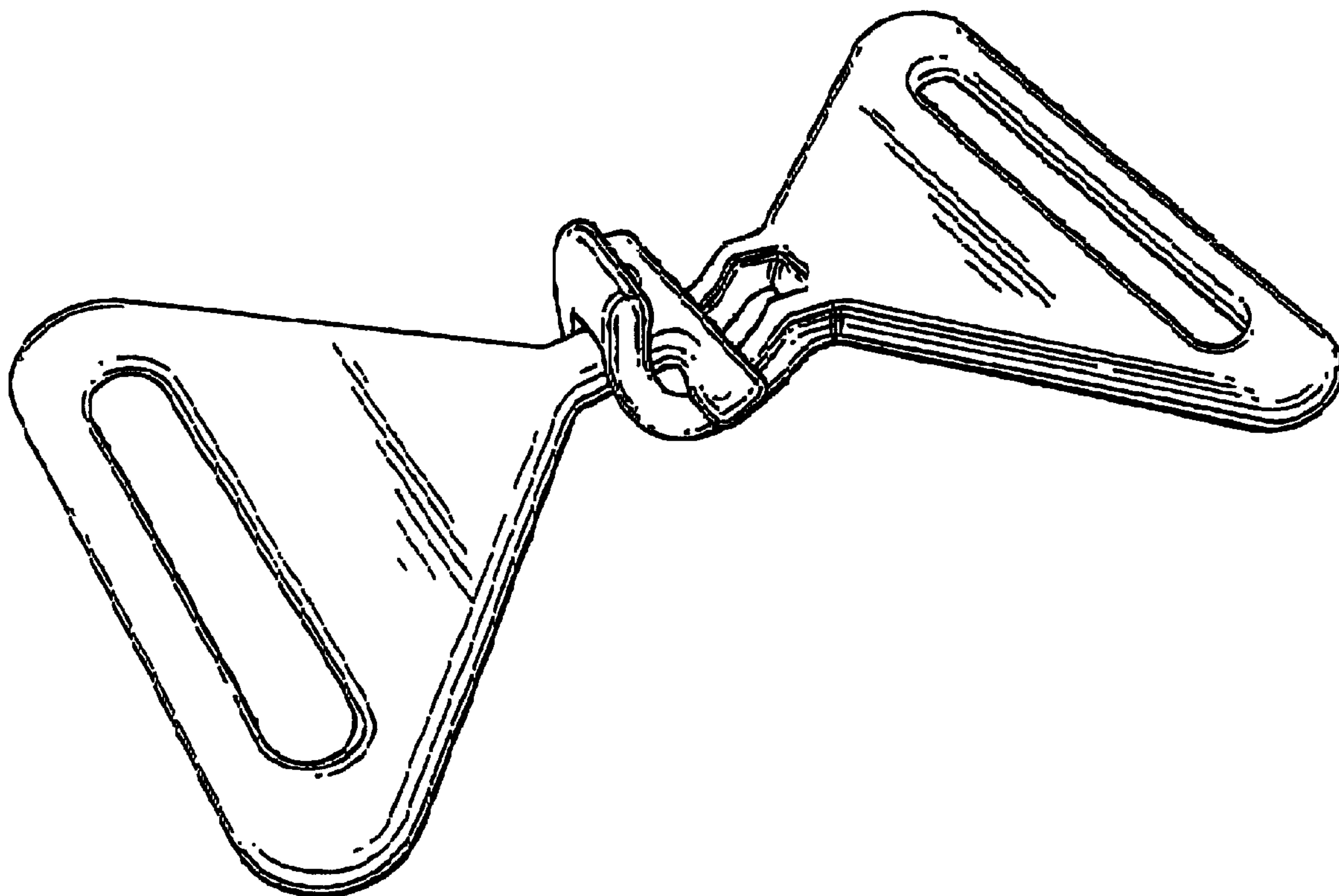
(57) **CLAIM**

The ornamental design for a surcingle fitting, as shown and described.

DESCRIPTION

FIG. 1 is a perspective view of a surcingle fitting showing my new design;
FIG. 2 is a top plan view thereof;
FIG. 3 is a side elevational view thereof;
FIG. 4 is a bottom plan view thereof;
FIG. 5 is a side elevational view thereof;
FIG. 6 is a side elevational view opposite FIG. 5 thereof;
FIG. 7 is a top plan view thereof, the fitting shown in an alternate unlatched position; and,
FIG. 8 is a side elevational view thereof, the fitting shown in an alternate unlatched position.

1 Claim, 4 Drawing Sheets



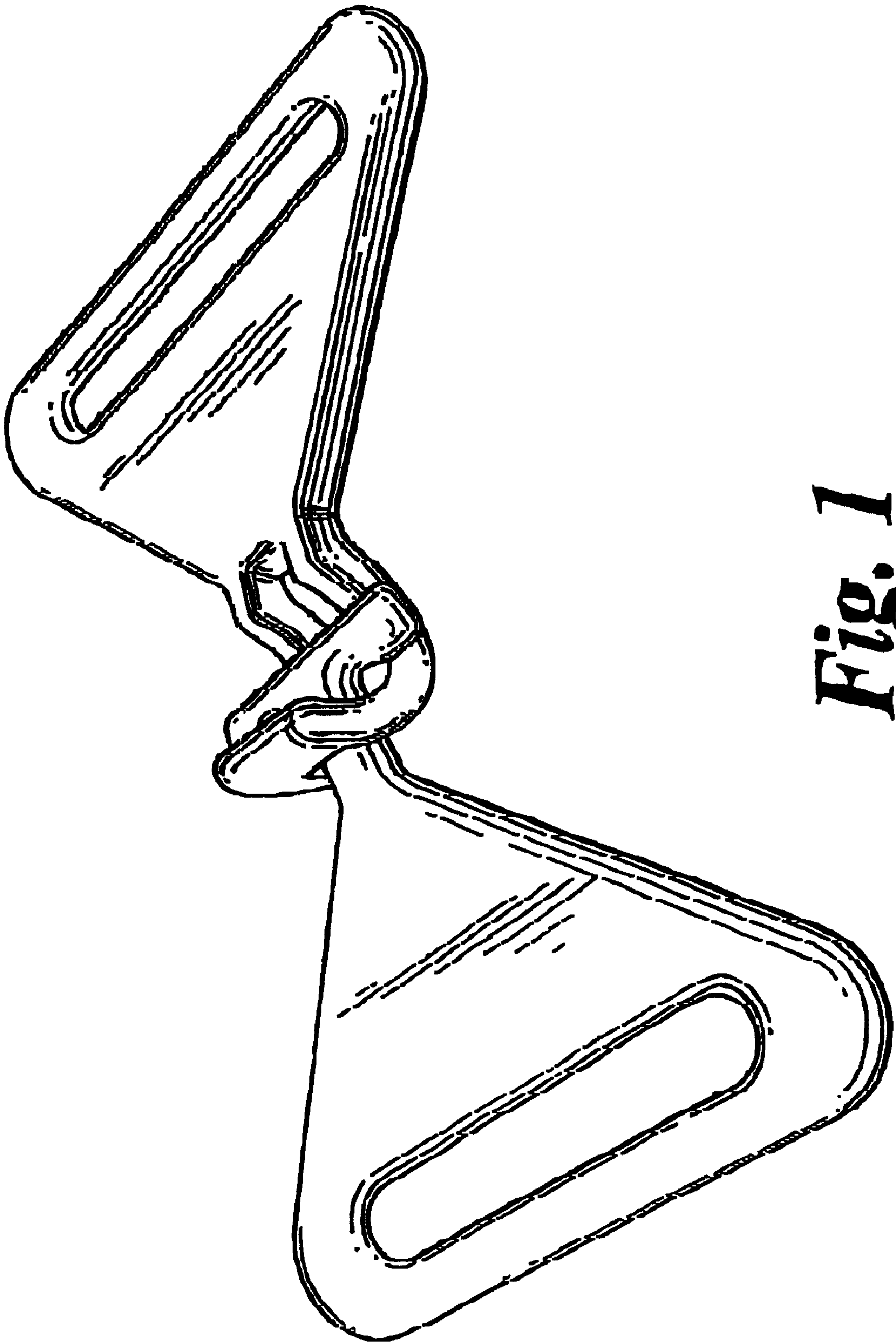


Fig. 1

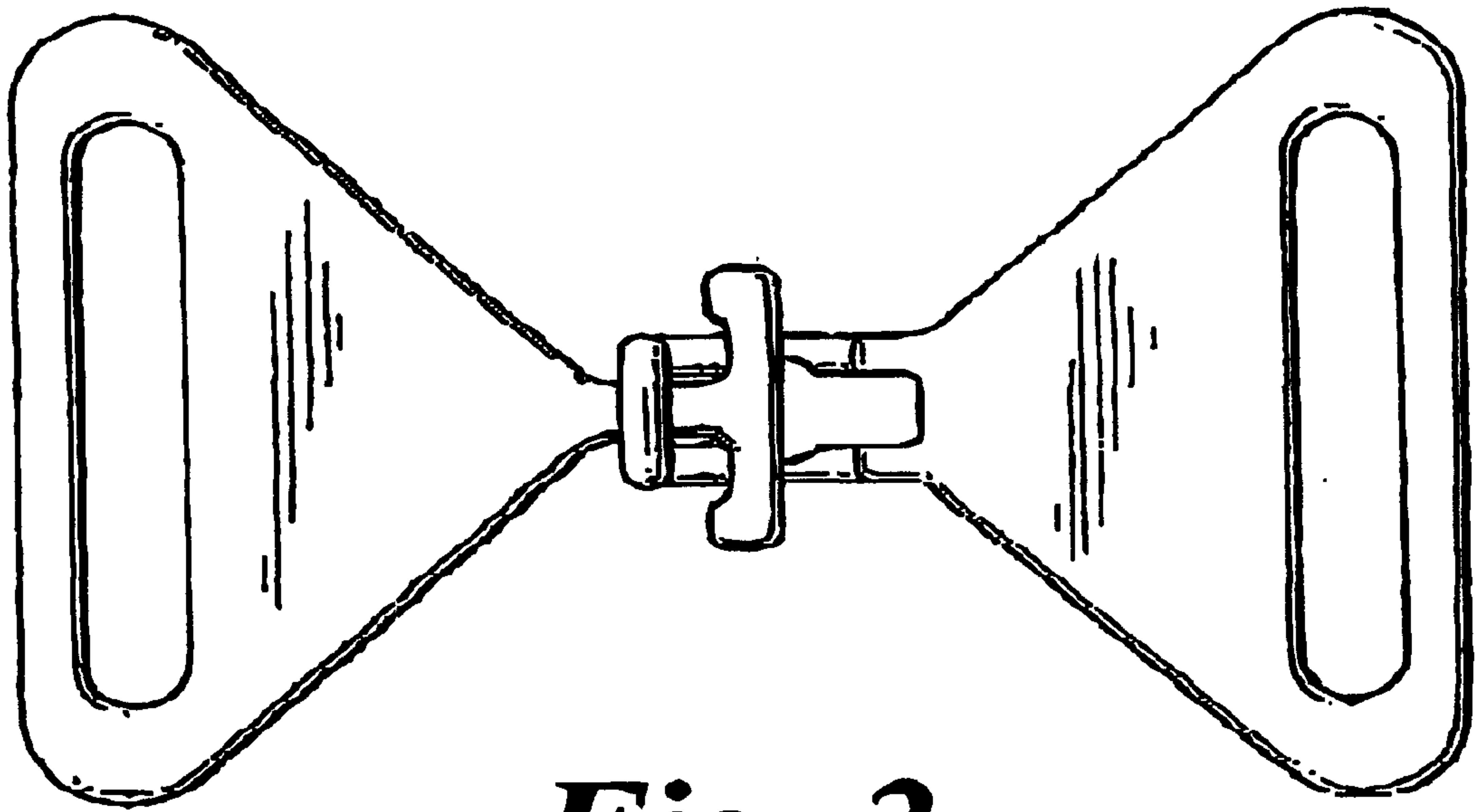


Fig. 2



Fig. 3

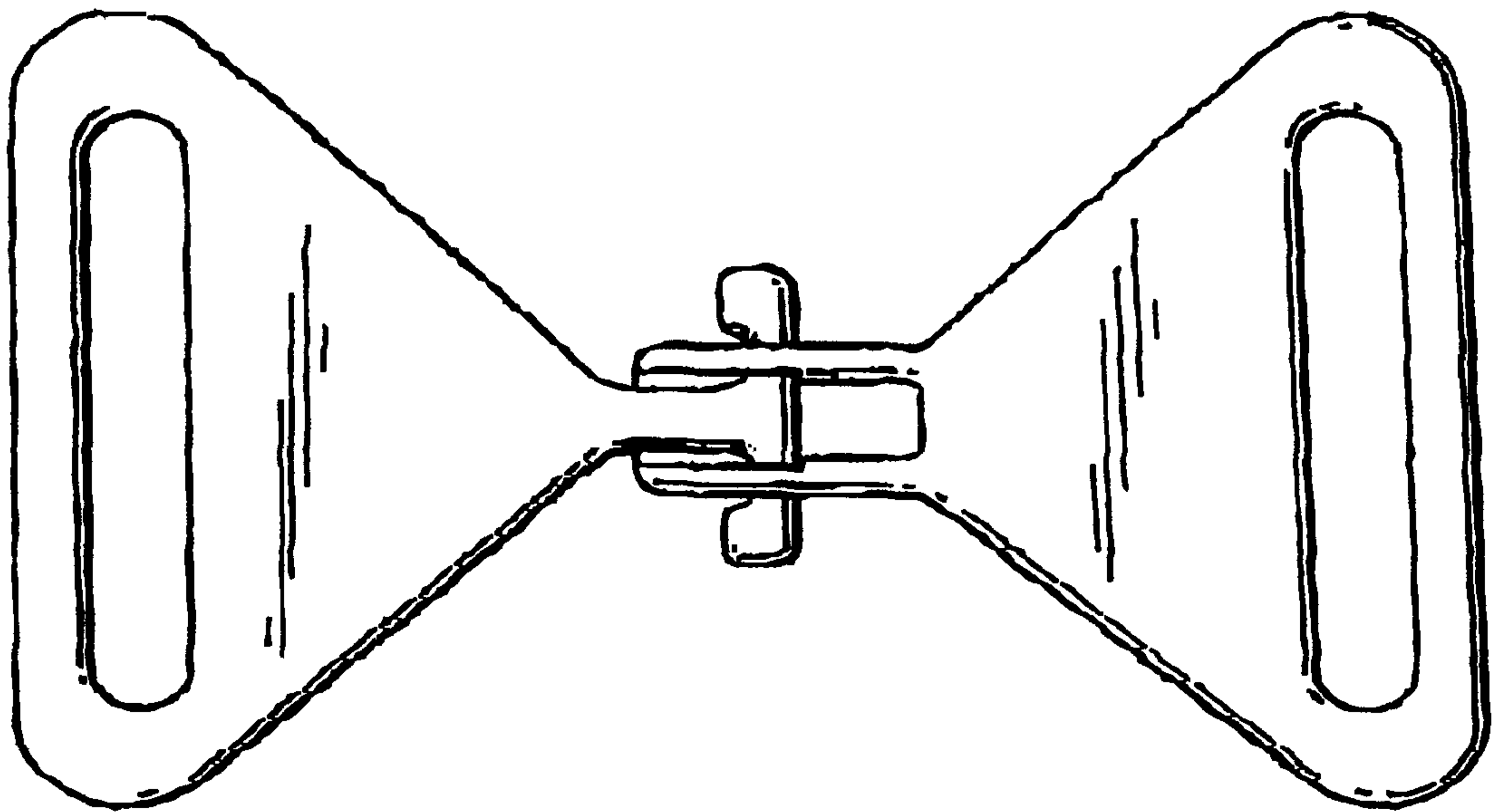


Fig. 4

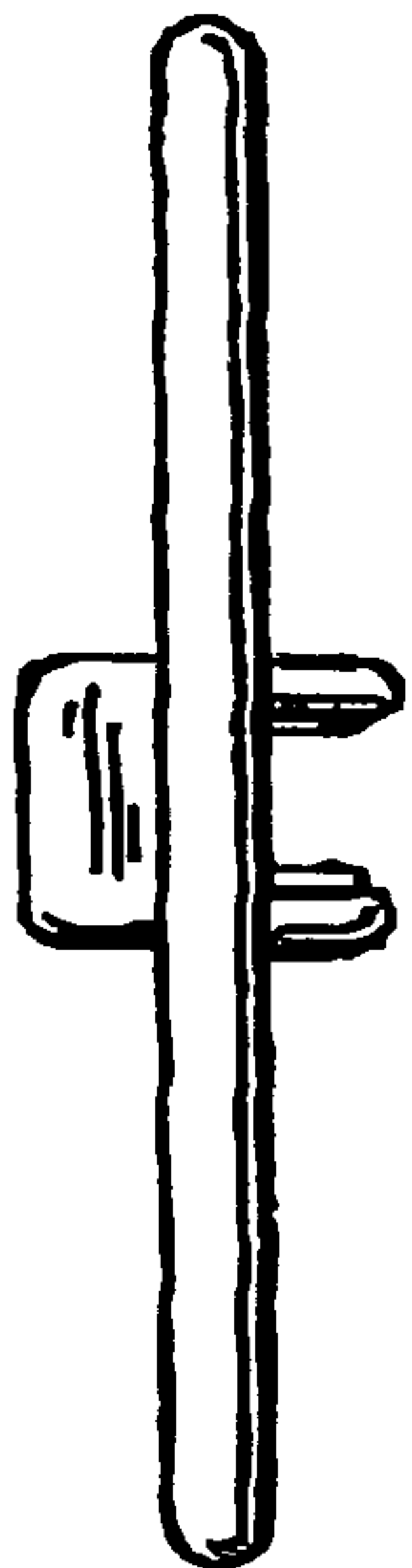


Fig. 5

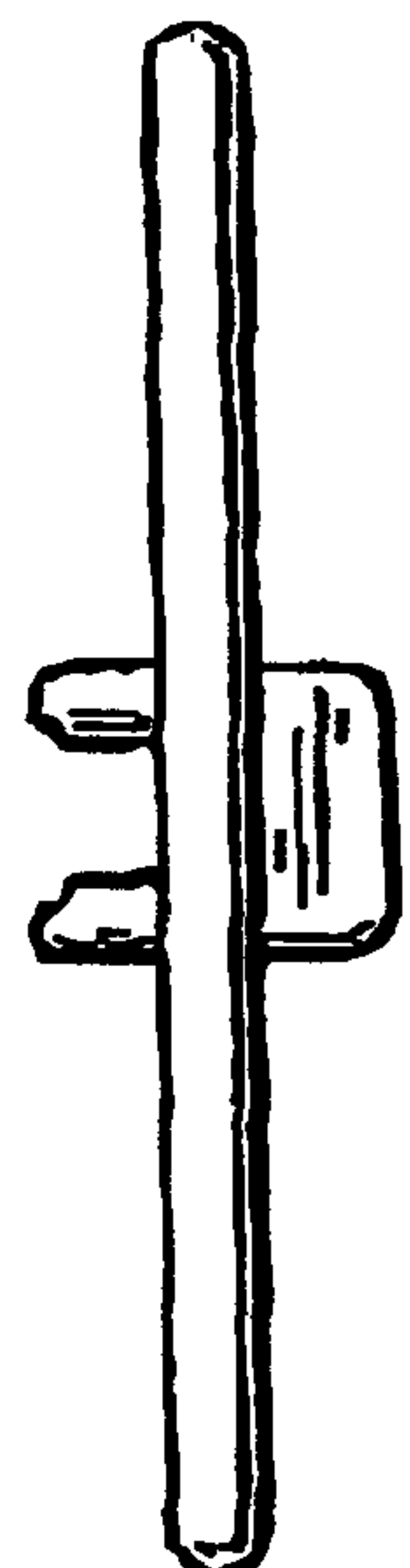


Fig. 6

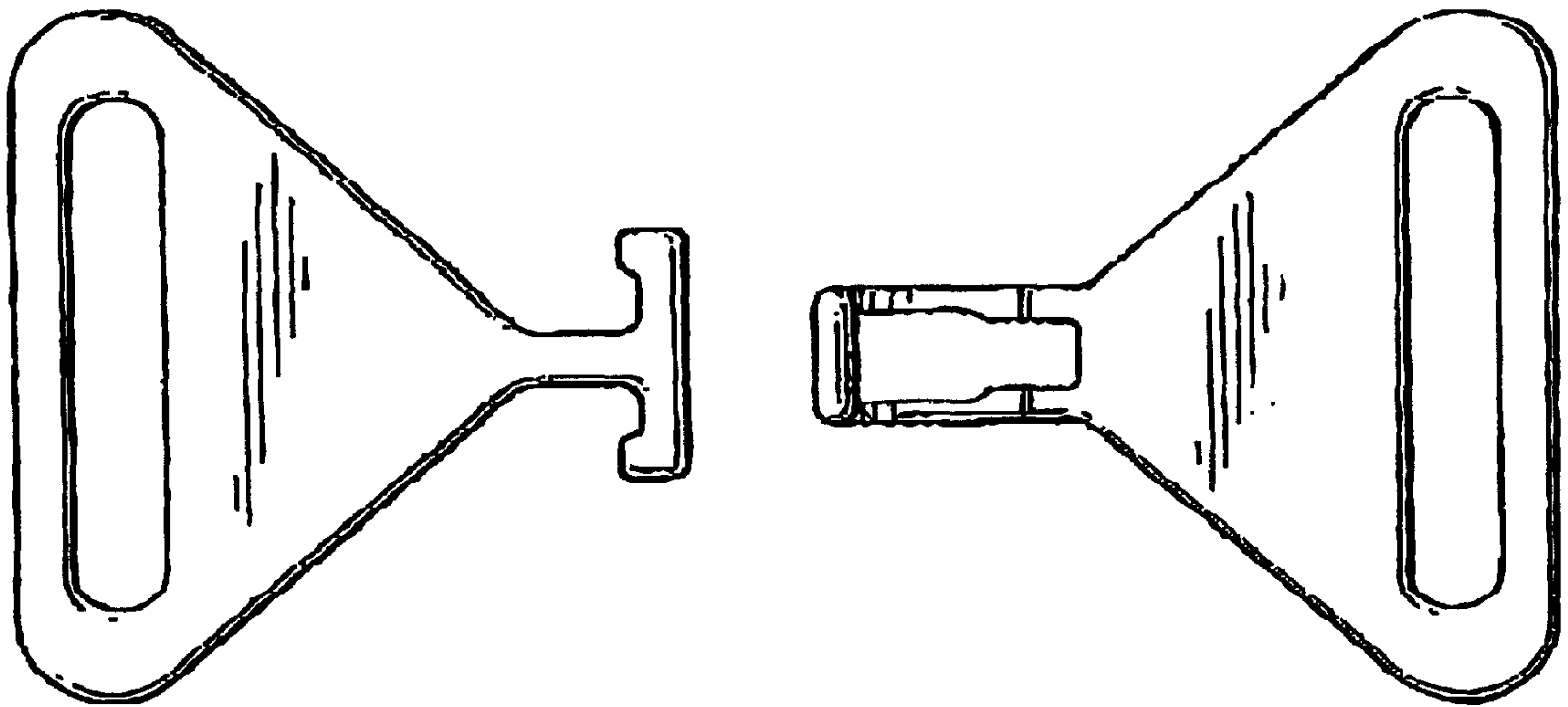


Fig. 7



Fig. 8