



US00D480837S

(12) **United States Design Patent**  
**Liu**

(10) **Patent No.:** **US D480,837 S**

(45) **Date of Patent:** **\*\* Oct. 14, 2003**

(54) **COSMETIC CASE**

(76) Inventor: **Li-Yu Liu**, No. 65, Lane 113,  
Shin-Shing Road, Tainan City (TW)

(\*\*) Term: **14 Years**

(21) Appl. No.: **29/174,654**

(22) Filed: **Jan. 23, 2003**

(51) **LOC (7) Cl.** ..... **28-03**

(52) **U.S. Cl.** ..... **D28/83**

(58) **Field of Search** ..... D28/73, 76, 78-84;  
D3/295; 132/293-307, 314-315; 206/581,  
823, 1.8; 220/DIG. 26; D9/341; D19/35,  
36

(56) **References Cited**

**U.S. PATENT DOCUMENTS**

4,421,127	A	*	12/1983	Geer	.....	132/294
4,765,457	A	*	8/1988	Rayhle	.....	206/1.8
D409,801	S	*	5/1999	Kim	.....	D28/83
D453,859	S	*	2/2002	Spearman	.....	D28/77
D469,223	S	*	1/2003	Thorpe et al.	.....	D28/83
2003/0000865	A1	*	1/2003	Carlino	.....	206/581

**OTHER PUBLICATIONS**

Charles V Cosmetics, Beauty Fashion, p. 27, Mar. 1981.\*

\* cited by examiner

*Primary Examiner*—Jennifer Rivard

(74) *Attorney, Agent, or Firm*—Rosenberg, Klein & Lee

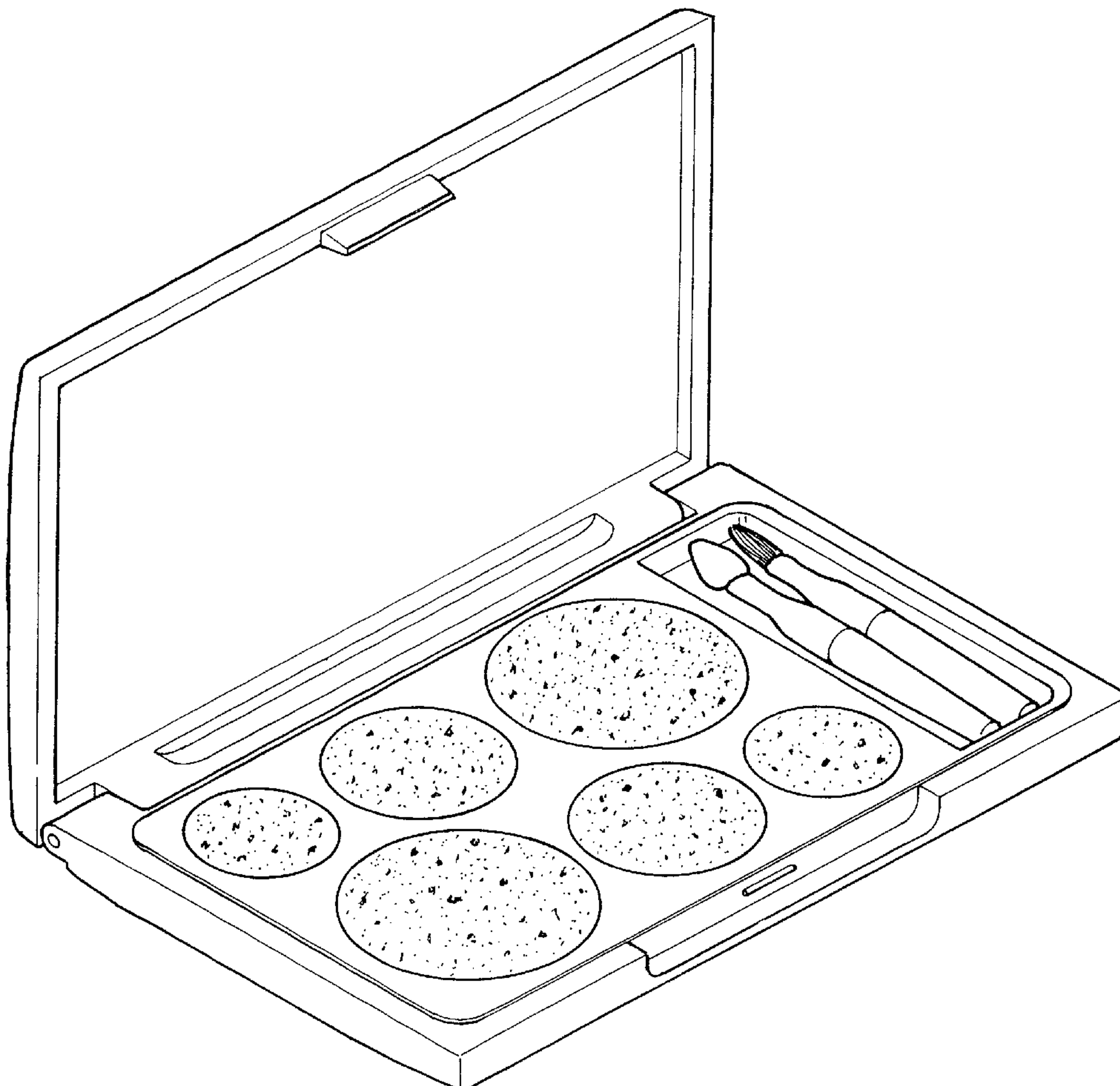
(57) **CLAIM**

The ornamental design for a cosmetic case, as shown and described.

**DESCRIPTION**

FIG. 1 is front-right-top perspective view of a cosmetic case, showing my new design;  
FIG. 2 is a front elevation view thereof;  
FIG. 3 is a rear elevation view thereof;  
FIG. 4 is a left elevation view thereof;  
FIG. 5 is a right elevation view thereof;  
FIG. 6 is a top plan view thereof;  
FIG. 7 is a bottom plan view thereof; and,  
FIG. 8 is a perspective view of the cosmetic case in a closed state.

**1 Claim, 5 Drawing Sheets**



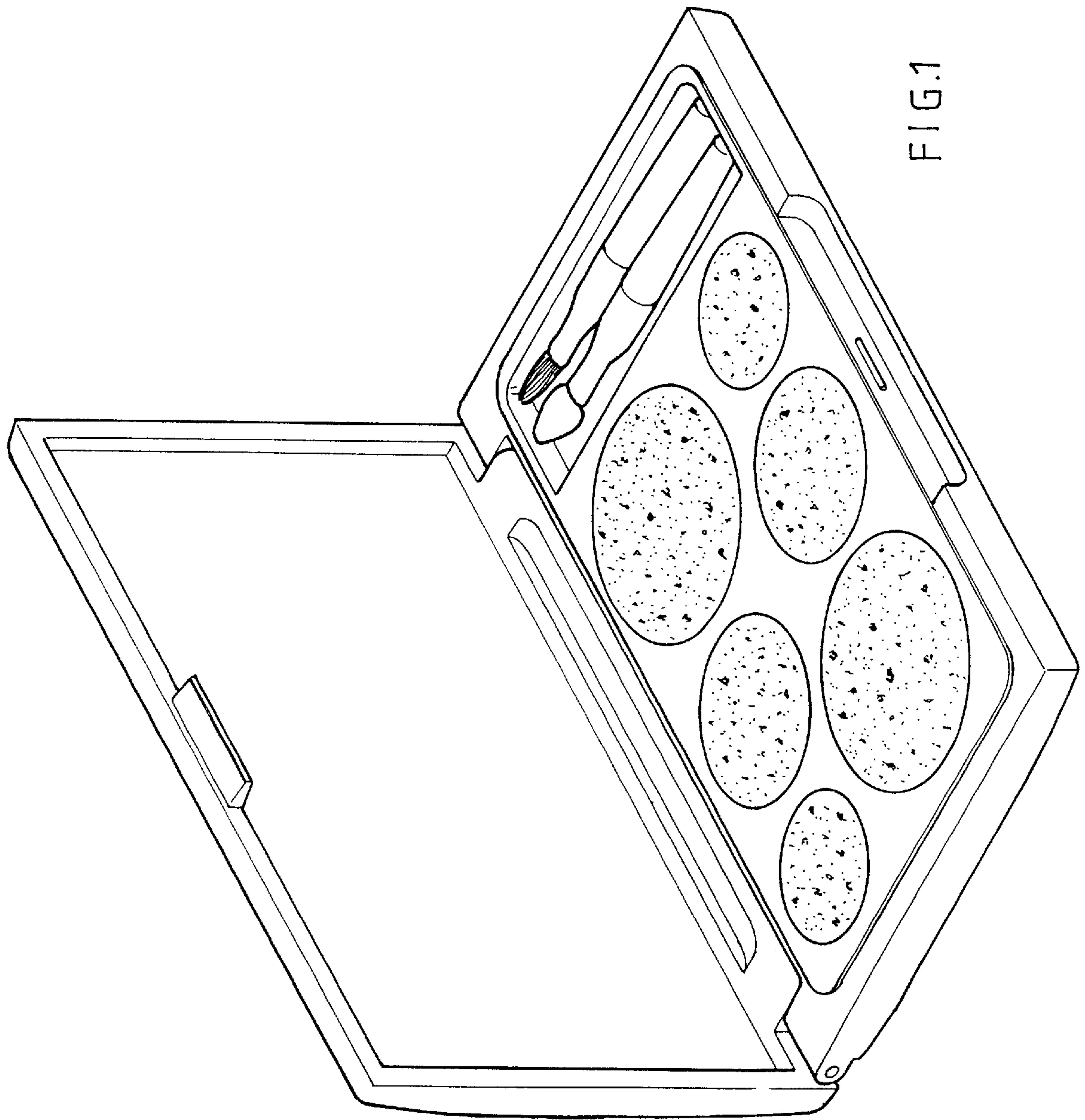


FIG. 1

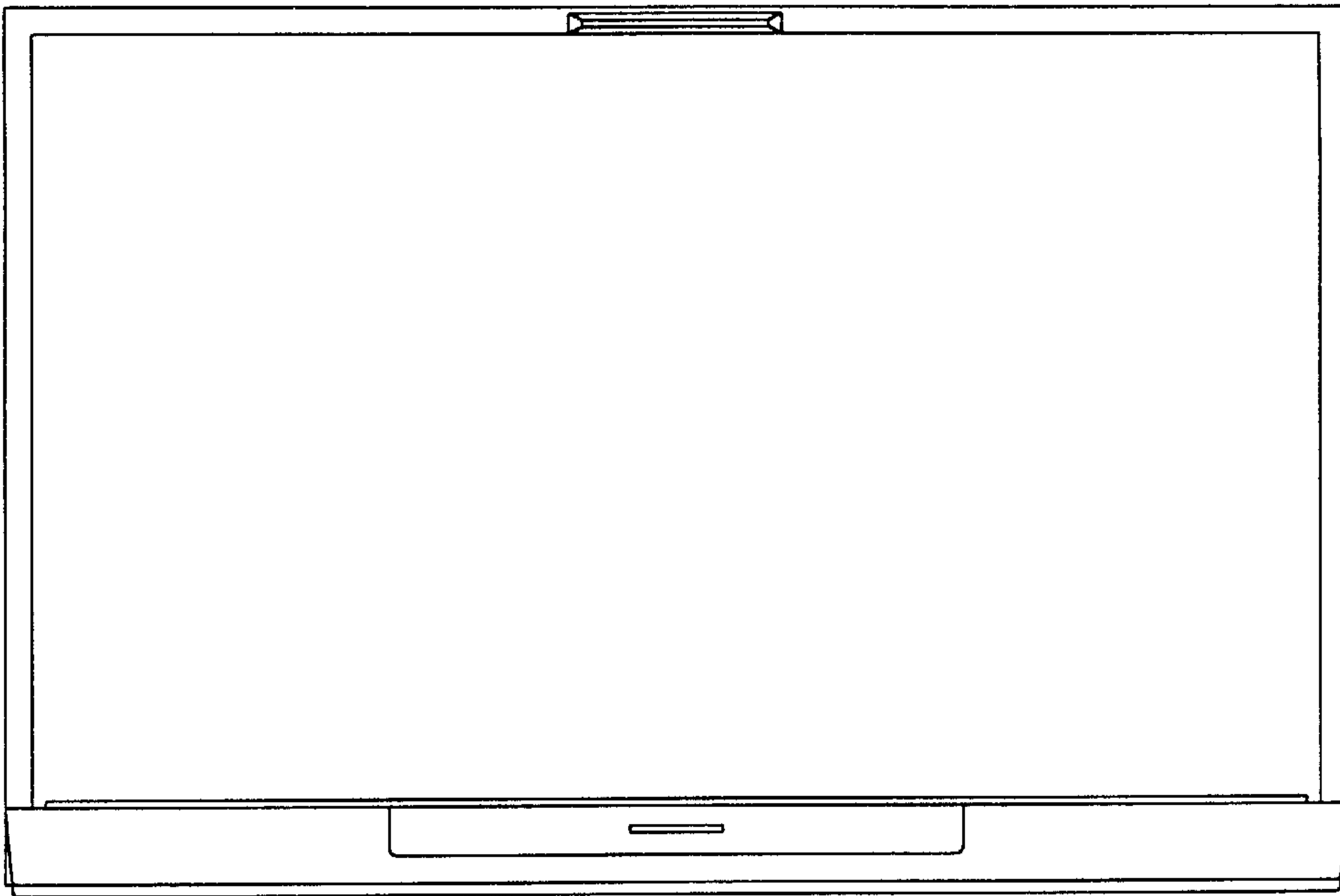


FIG. 2

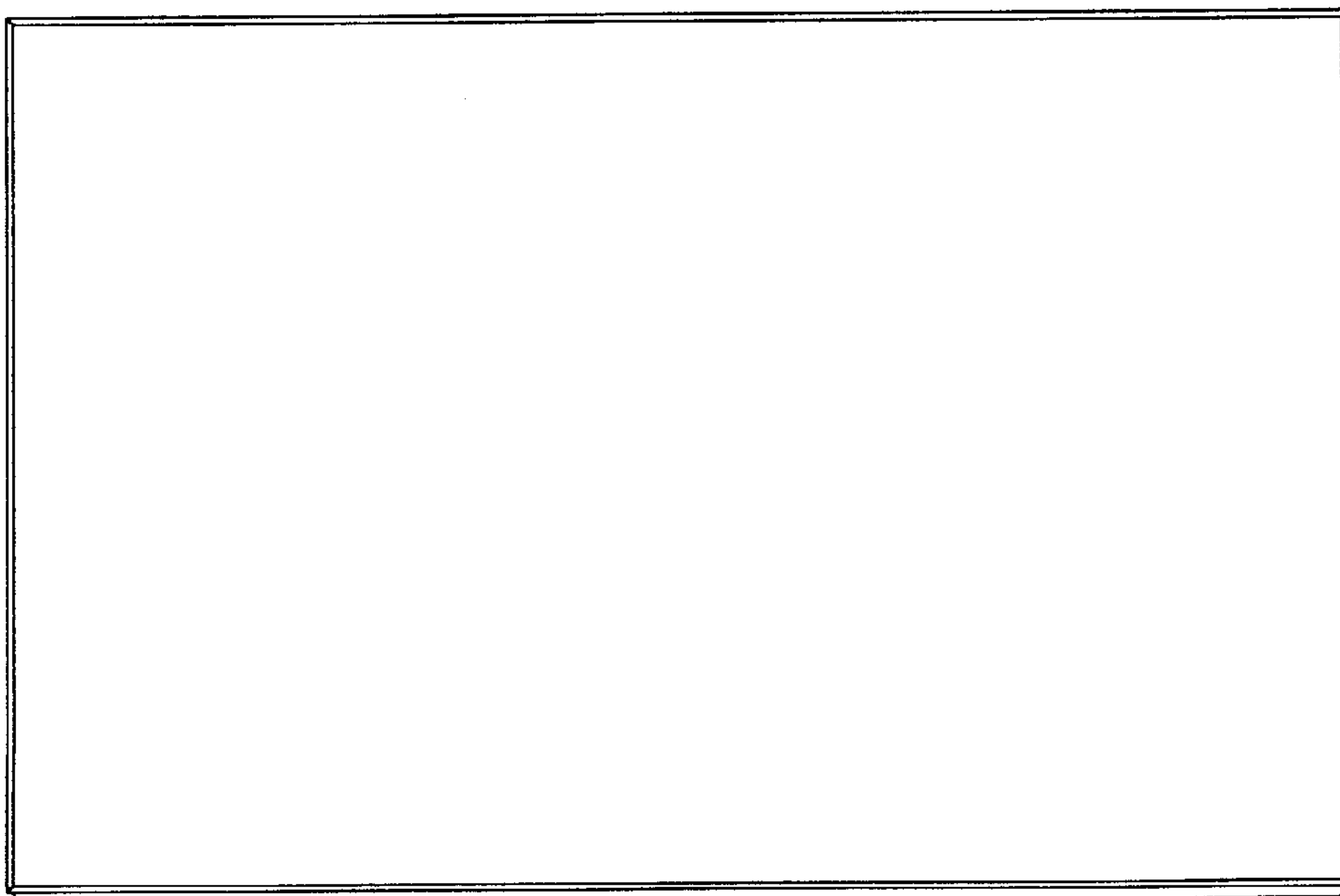


FIG. 3

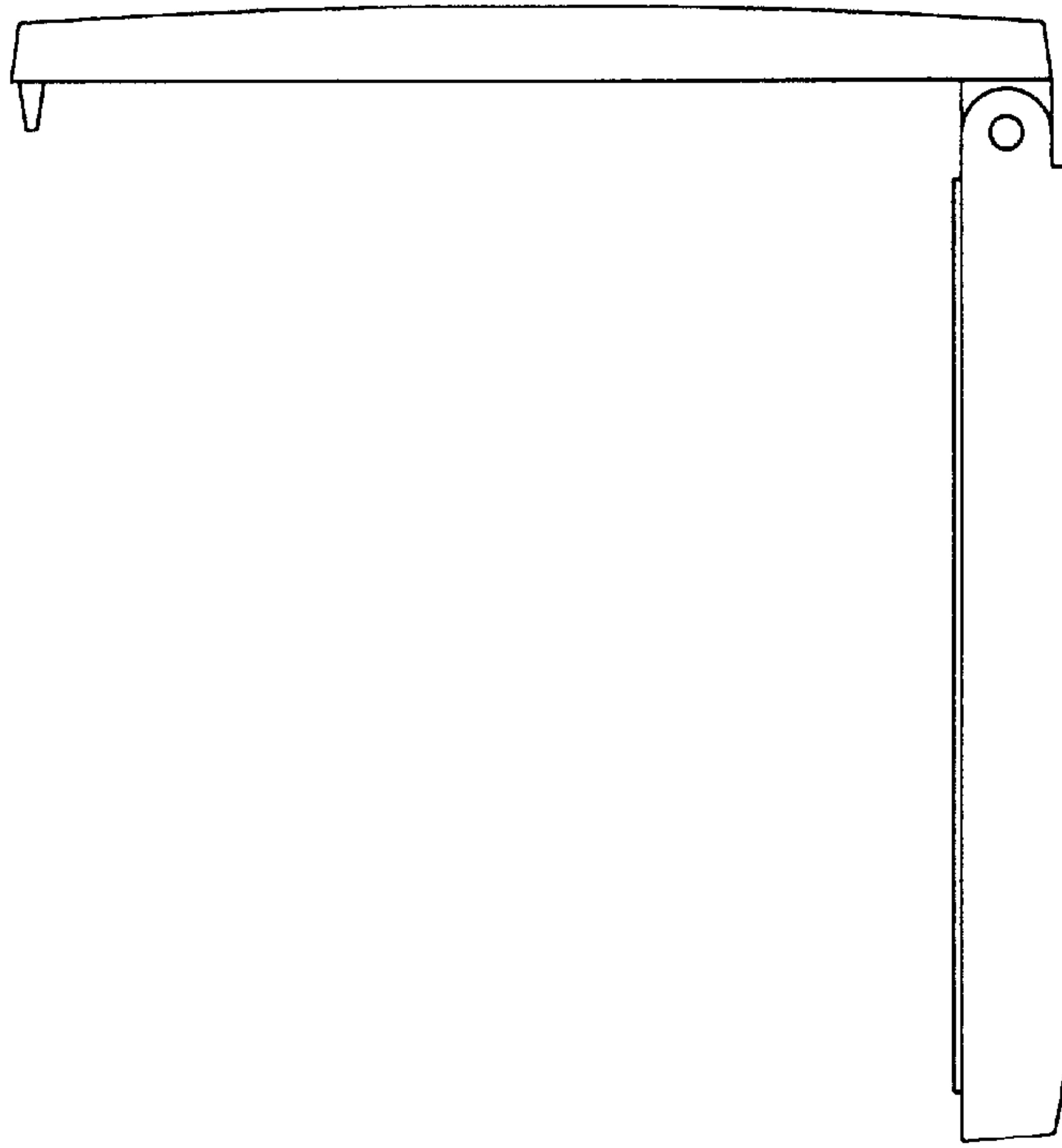


FIG. 5

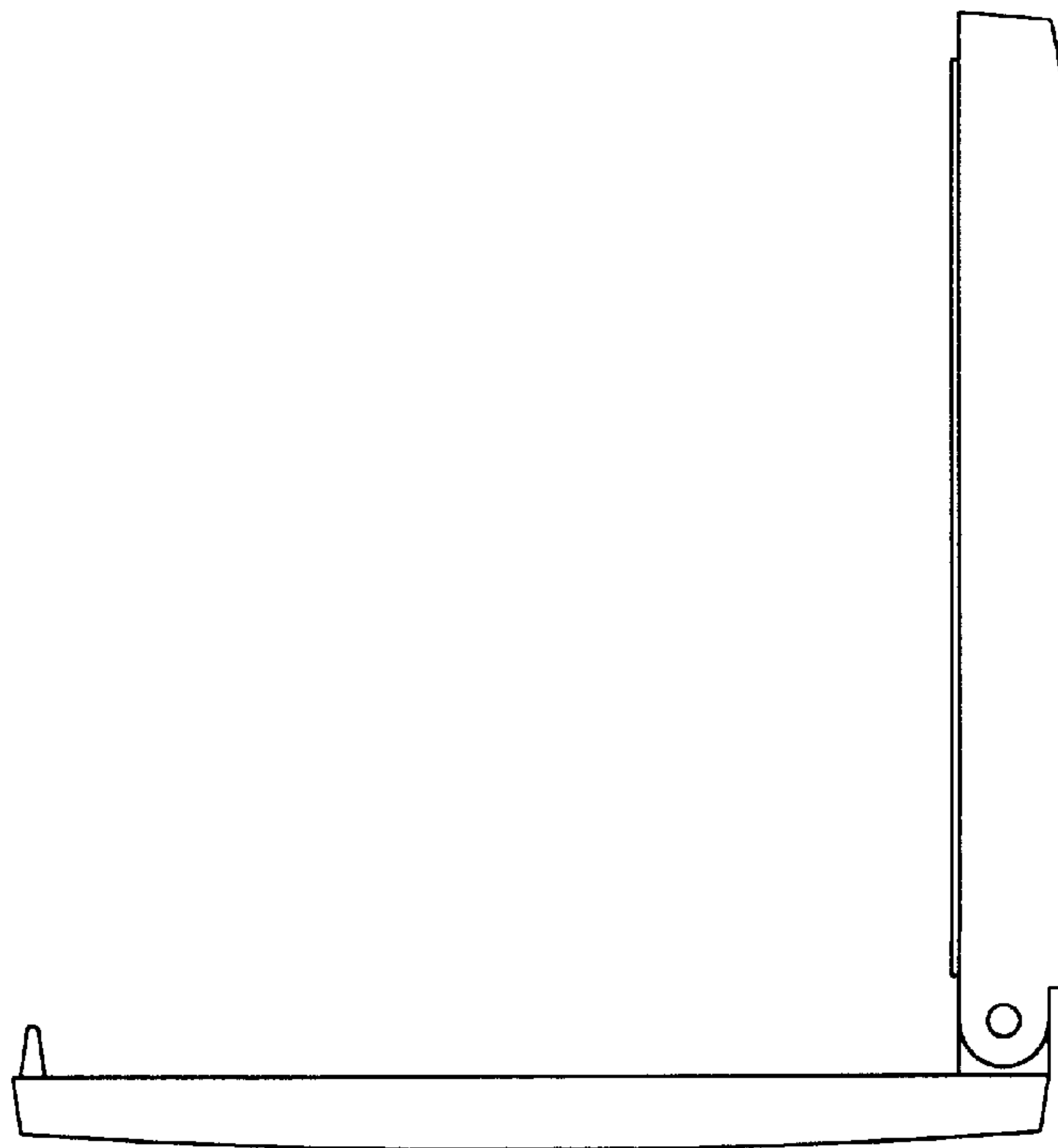


FIG. 4

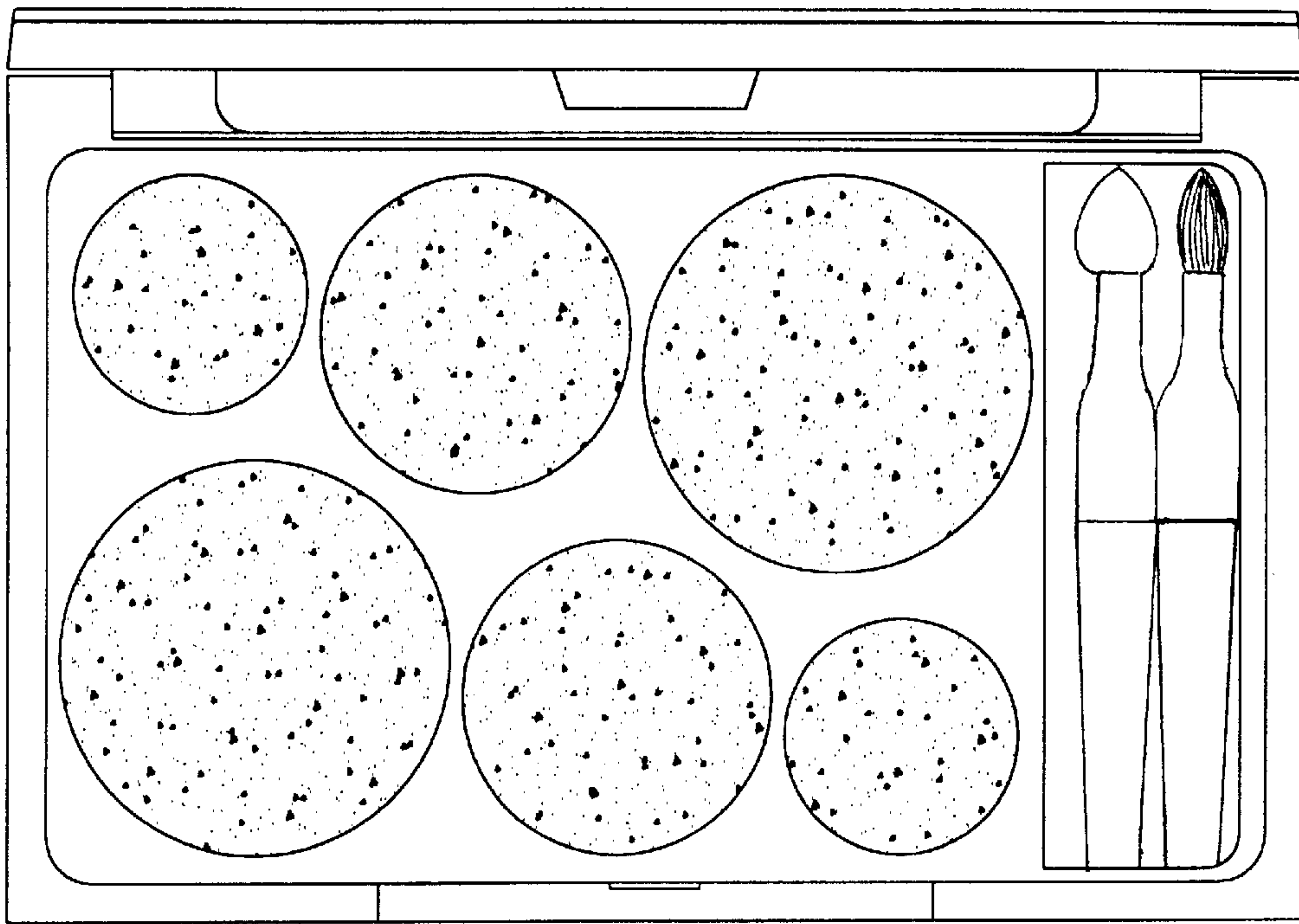


FIG. 6

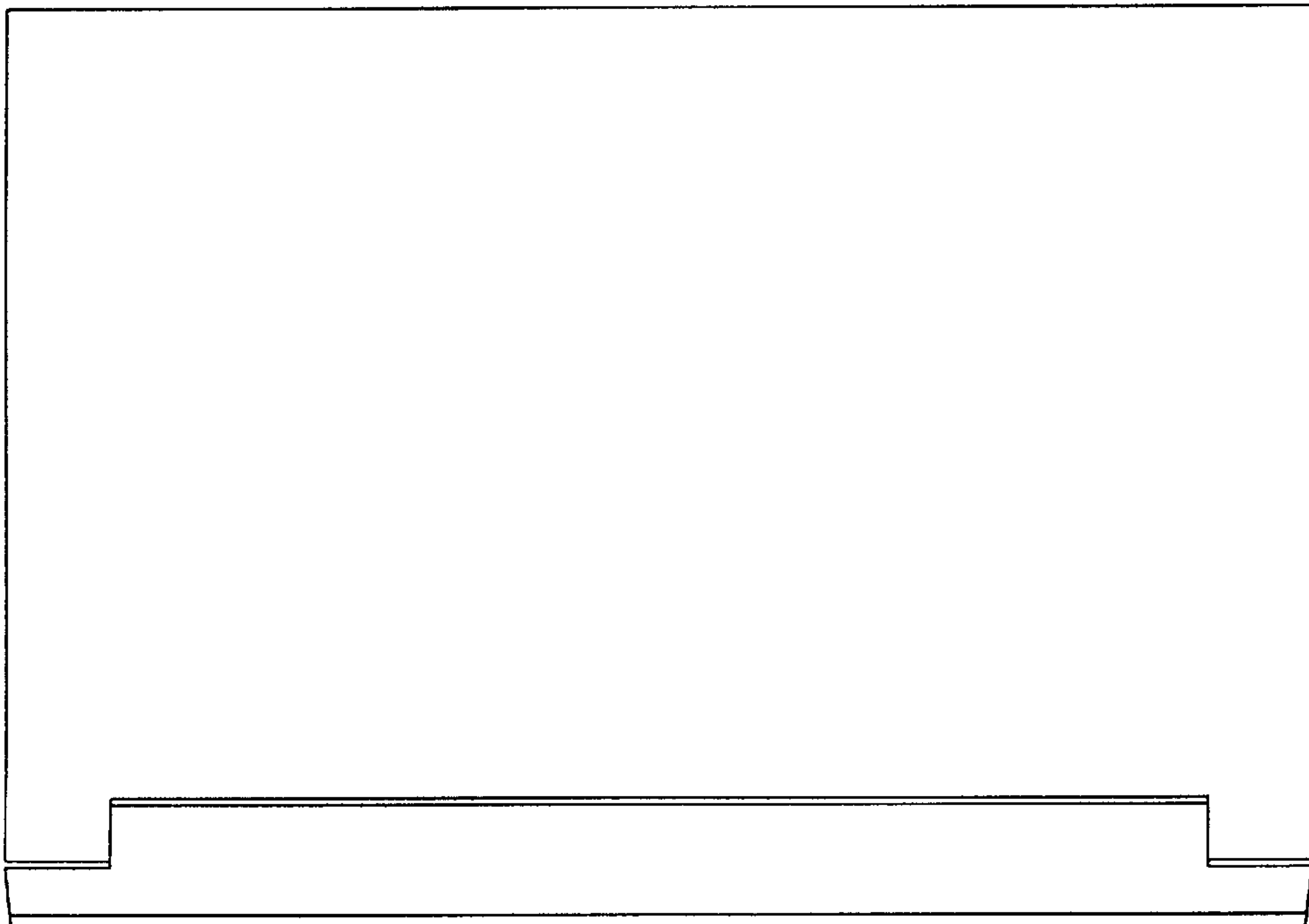


FIG. 7

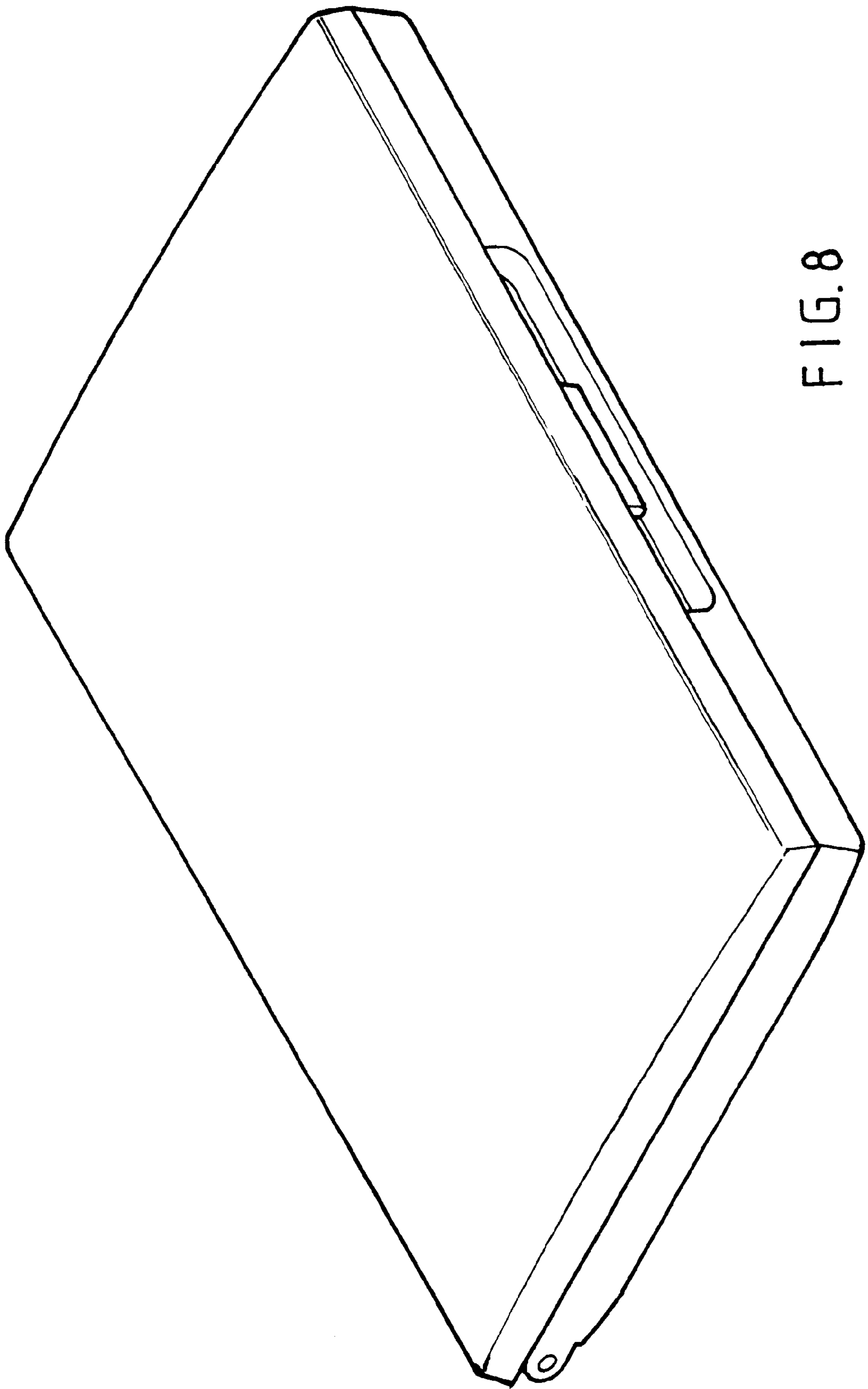


FIG. 8