



US00D480831S

(12) **United States Design Patent**  
**Pallo**

(10) **Patent No.:** **US D480,831 S**

(45) **Date of Patent:** **\*\* Oct. 14, 2003**

(54) **TOP PORTION OF A HOUSING FOR A SURGICAL LIGHTHEAD**

D369,876 S \* 5/1996 Muellenmeister ..... D26/63  
D447,261 S \* 8/2001 Tang ..... D26/63  
D448,507 S \* 9/2001 Shen ..... D26/63

(75) **Inventor:** **Richard Karl Pallo**, New Hope, PA (US)

\* cited by examiner

(73) **Assignee:** **Steris Inc.**, Temecula, CA (US)

*Primary Examiner*—Clare E. Heflin

(\*\*) **Term:** **14 Years**

(74) *Attorney, Agent, or Firm*—Fay, Sharpe, Fagan, Minnich & McKee, LLP

(21) **Appl. No.:** **29/160,425**

(22) **Filed:** **May 9, 2002**

(51) **LOC (7) Cl.** ..... **26-99**

(52) **U.S. Cl.** ..... **D26/142; D26/63**

(58) **Field of Search** ..... D26/72, 85, 87, D26/92, 61–66, 138, 142; 362/267, 269, 281, 285, 419, 478, 427, 430, 404–414

(56) **References Cited**

**U.S. PATENT DOCUMENTS**

4,135,231 A \* 1/1979 Fisher ..... 362/269  
D254,632 S \* 4/1980 Brendgard ..... D26/65  
4,229,781 A \* 10/1980 Hitora ..... 362/274  
4,494,177 A \* 1/1985 Matthews ..... 362/402  
D312,140 S \* 11/1990 Jonsson ..... D26/63

(57) **CLAIM**

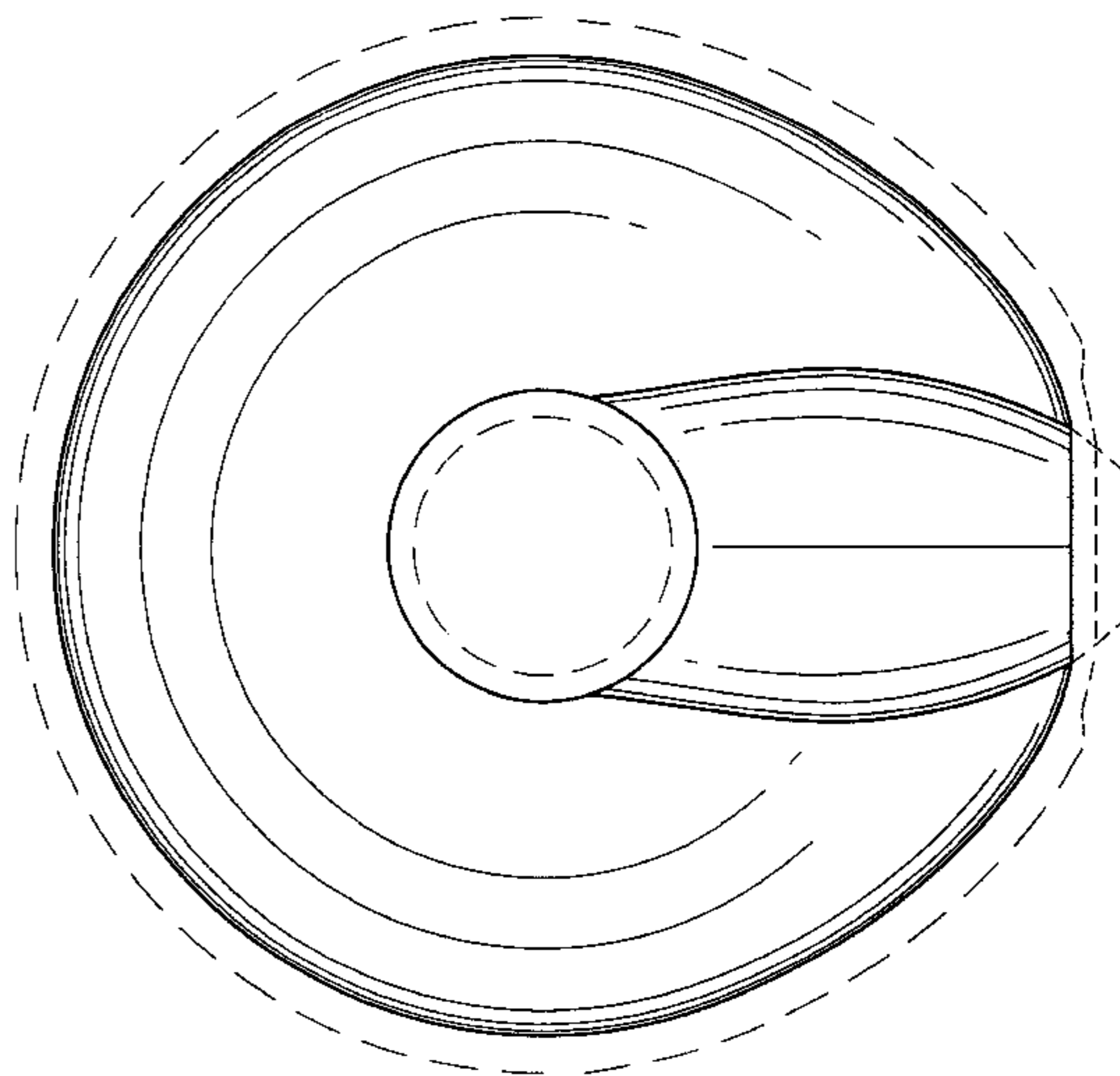
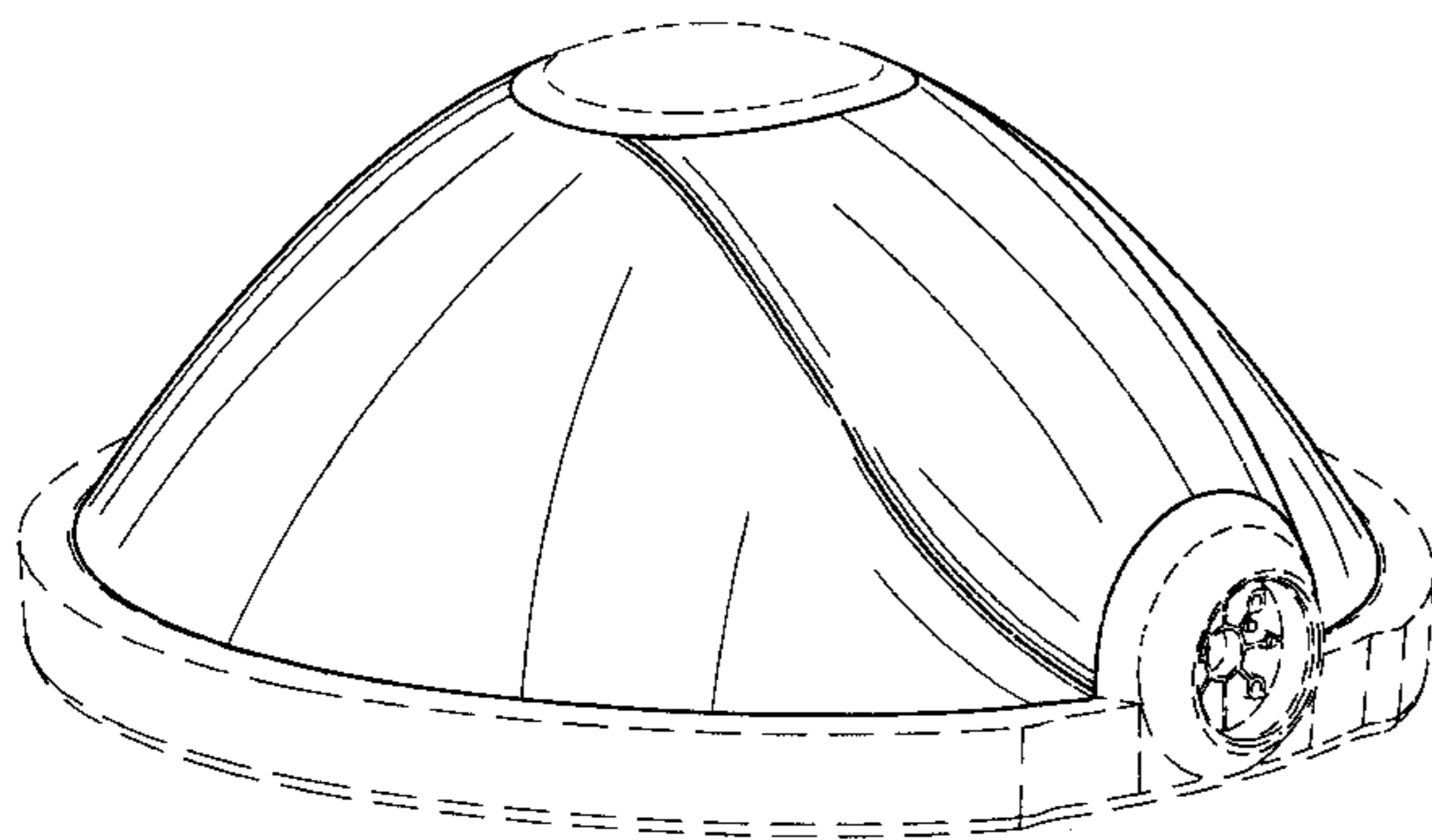
The ornamental design for a top portion of a housing for a surgical lighthead, as shown and described.

**DESCRIPTION**

FIG. 1 is a perspective view of a top portion of a housing for a surgical lighthead showing my new ornamental design; FIG. 2 is a top plan view thereof; FIG. 3 is a left side elevational view thereof; FIG. 4 is a right side elevational view thereof; FIG. 5 is a rear elevational view thereof; and, FIG. 6 is a front elevational view thereof.

The parts shown in broken lines in FIGS. 1–6 are shown for illustrative purposes only and form no part of the claimed design.

**1 Claim, 3 Drawing Sheets**



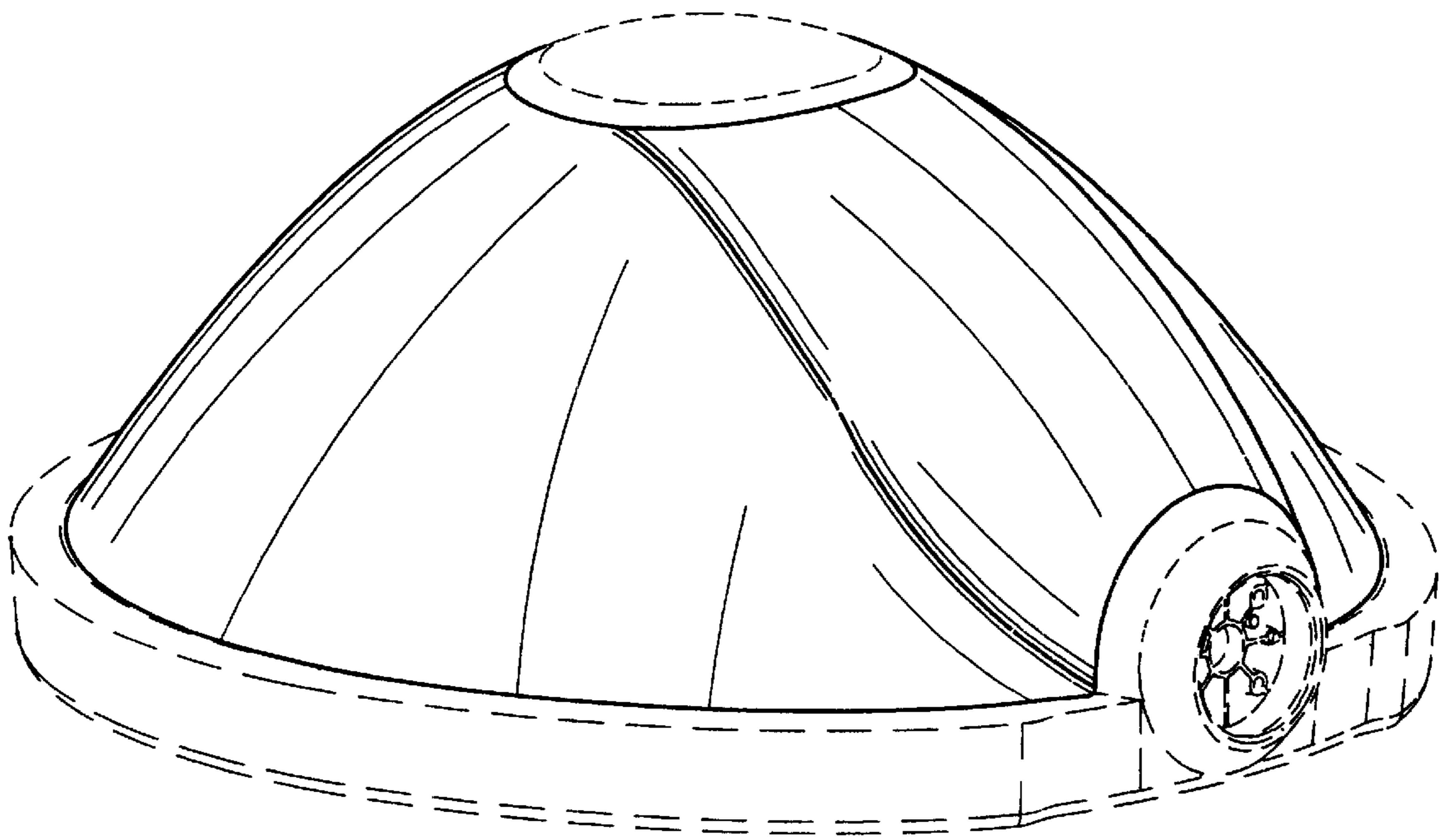


FIG. 1

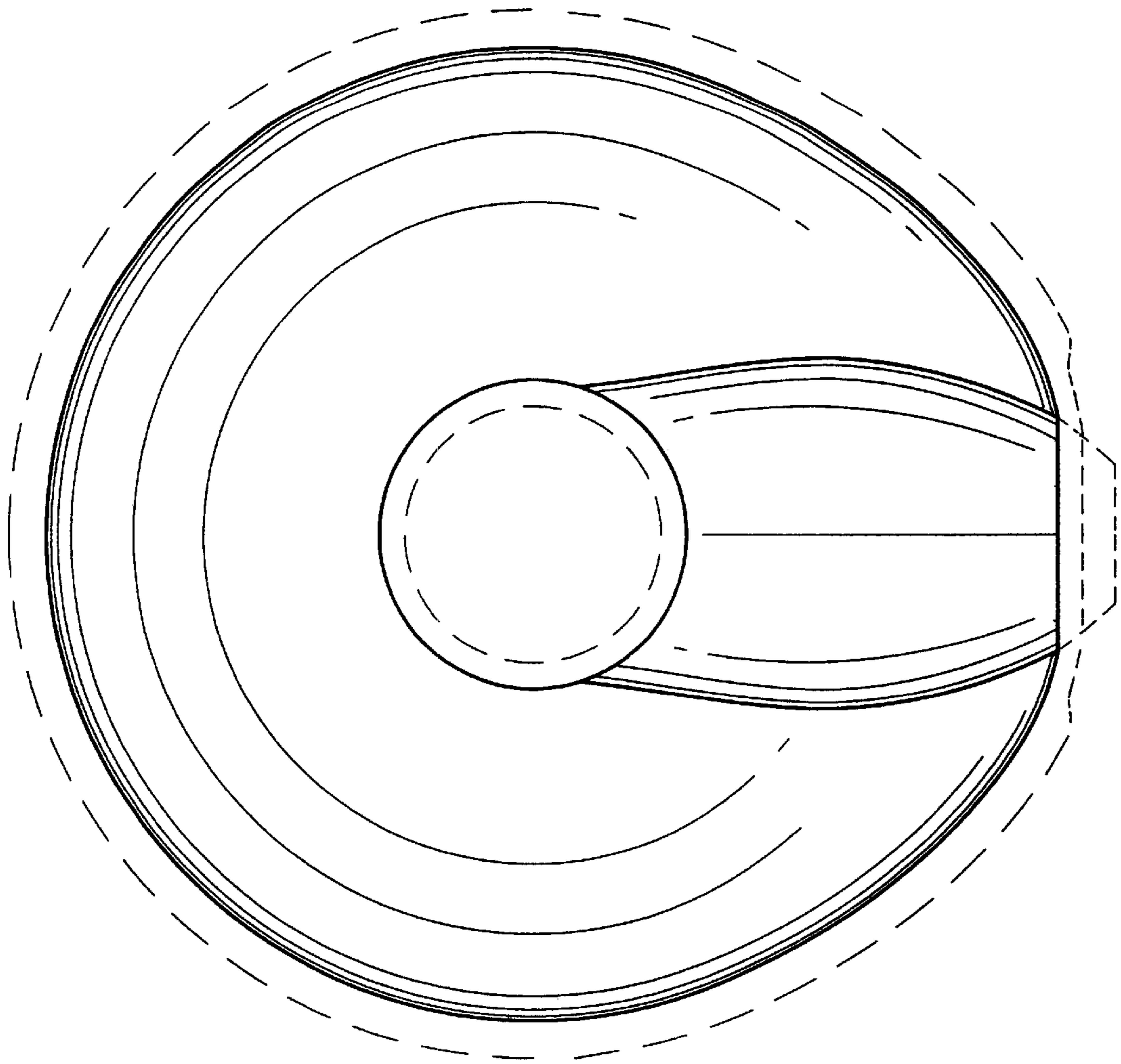


FIG. 2

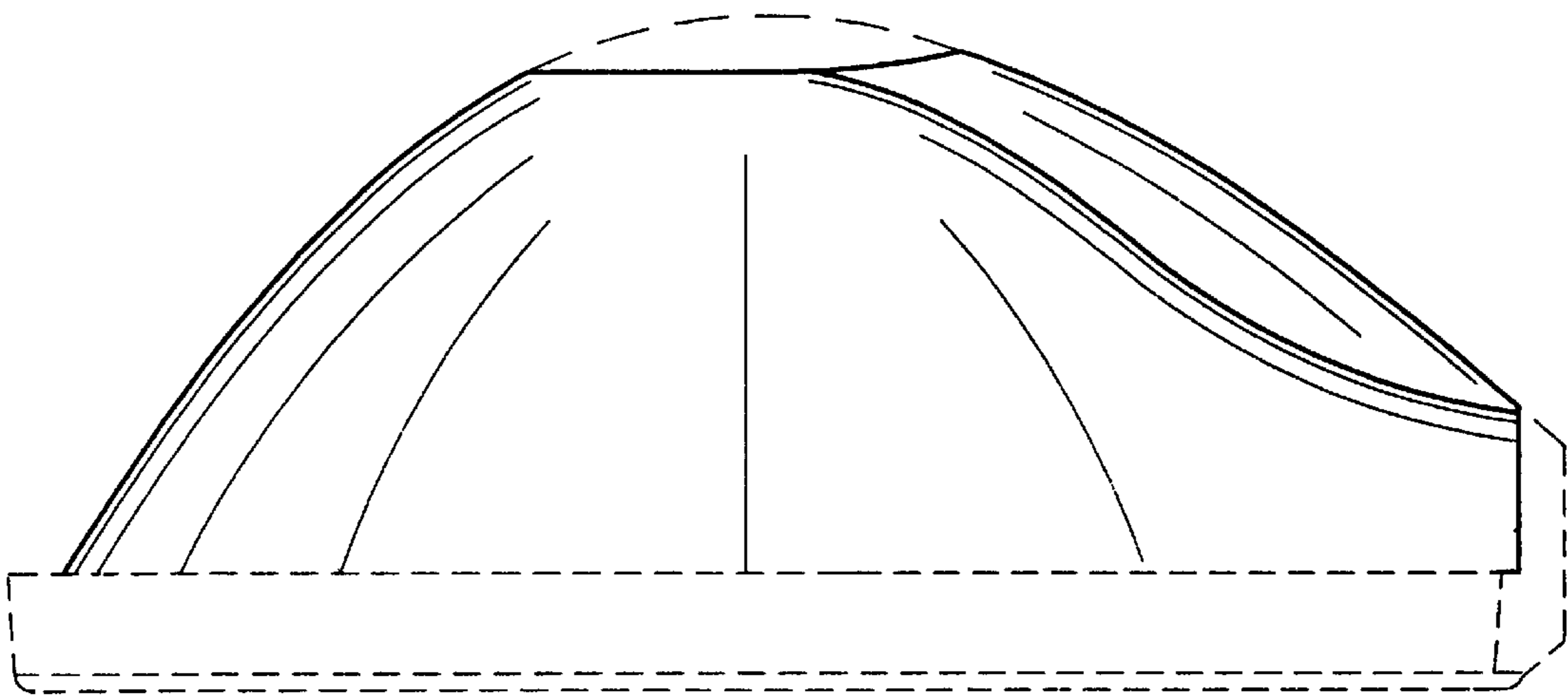


FIG. 3

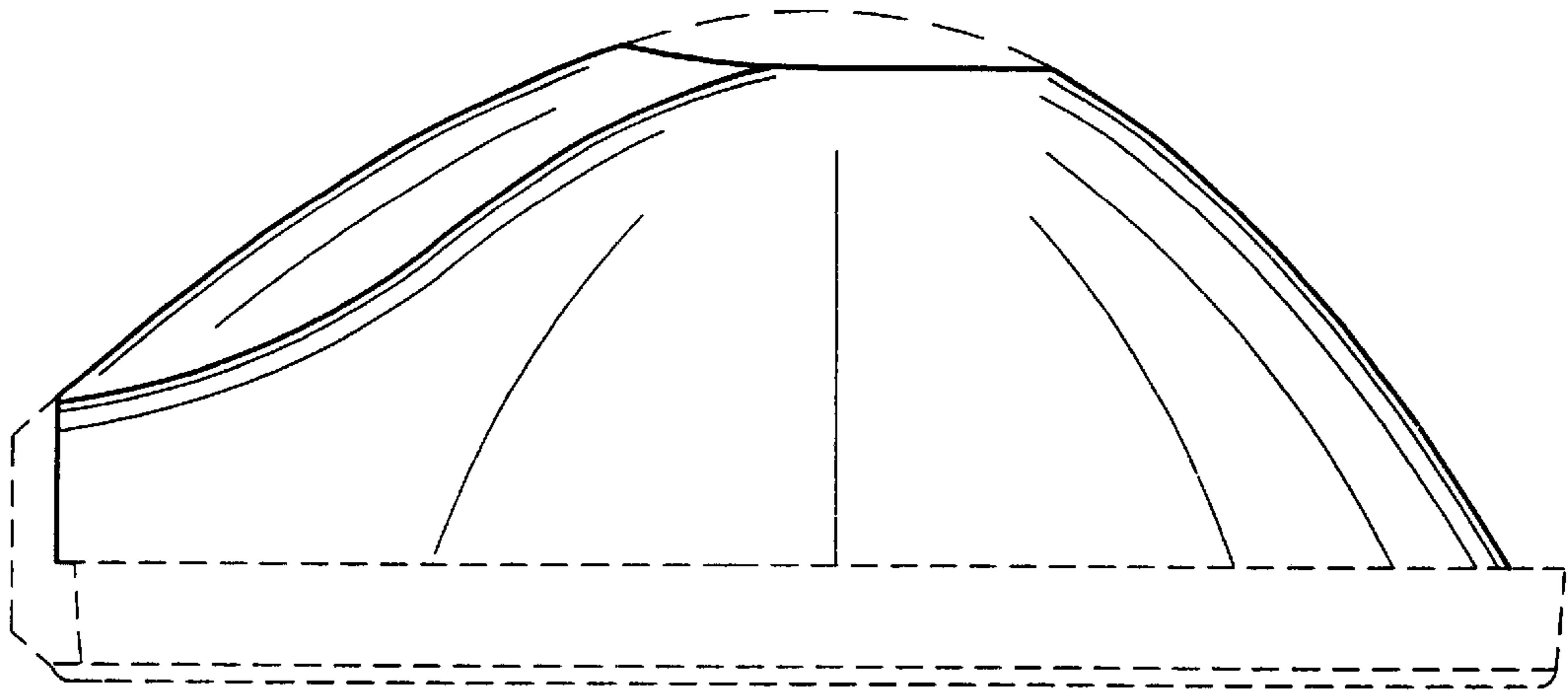


FIG. 4

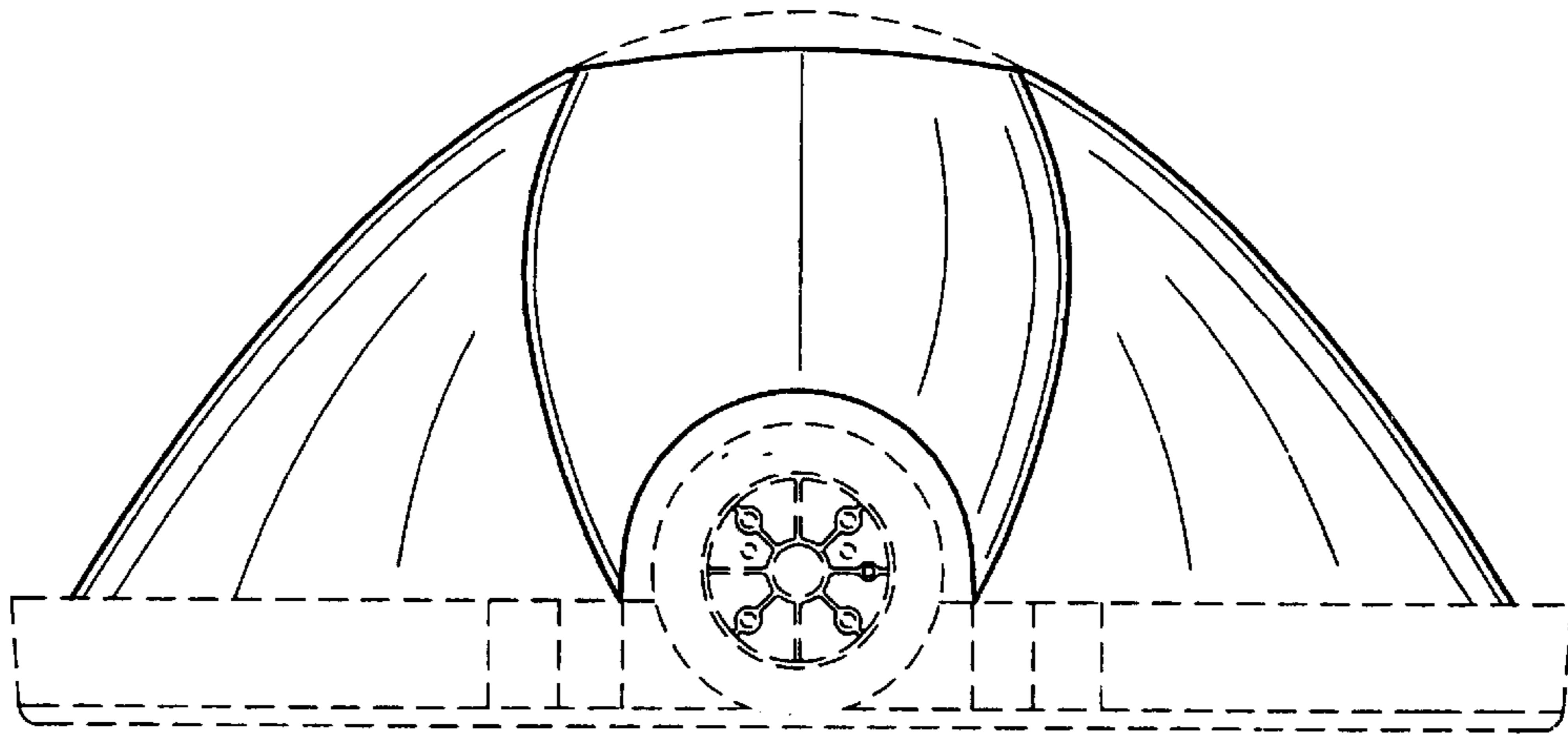


FIG. 5

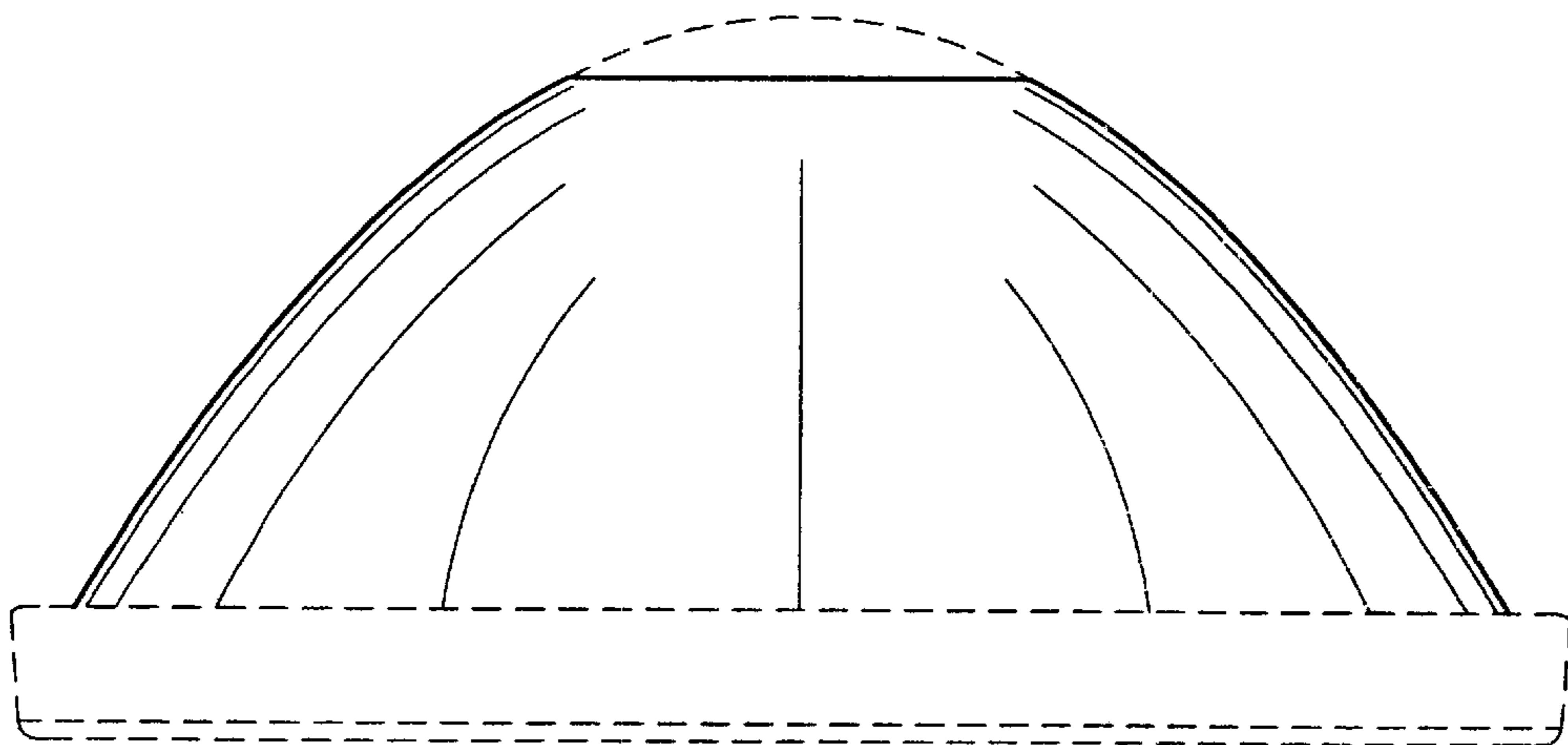


FIG. 6