



US00D480828S

(12) **United States Design Patent**  
**Block**

(10) **Patent No.:** **US D480,828 S**

(45) **Date of Patent:** **\*\* Oct. 14, 2003**

(54) **ROTATABLE MOUNTING FIXTURE FOR A LAMP**

D434,518 S \* 11/2000 Rivers ..... D26/142  
D463,613 S \* 9/2002 Block ..... D26/110 X

(76) **Inventor:** **Lawrence M. Block**, 1303 Western Ave., Las Vegas, NV (US) 89102-2502

\* cited by examiner

(\*\*) **Term:** **14 Years**

*Primary Examiner*—Alan P. Douglas

*Assistant Examiner*—Linda Brooks

(74) *Attorney, Agent, or Firm*—Leonard Weiss

(21) **Appl. No.:** **29/174,339**

(57) **CLAIM**

(22) **Filed:** **Jan. 17, 2003**

The ornamental design for a rotatable mounting fixture for a lamp, as shown and described.

(51) **LOC (7) Cl.** ..... **26-03**

(52) **U.S. Cl.** ..... **D26/110**

(58) **Field of Search** ..... D26/56, 58, 93,  
D26/104–112, 138, 142–151, 153; 362/410–414,  
134, 253, 277

**DESCRIPTION**

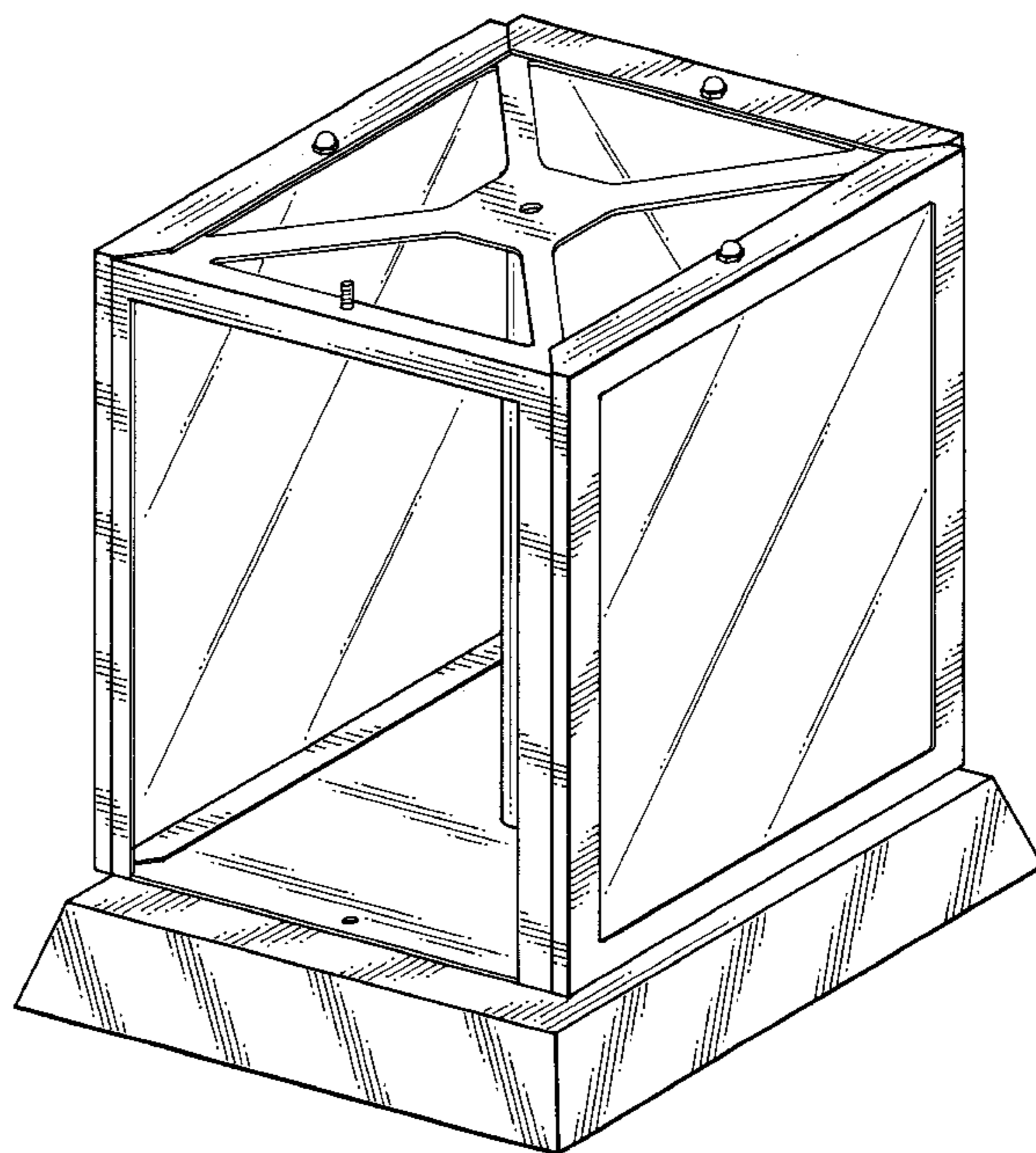
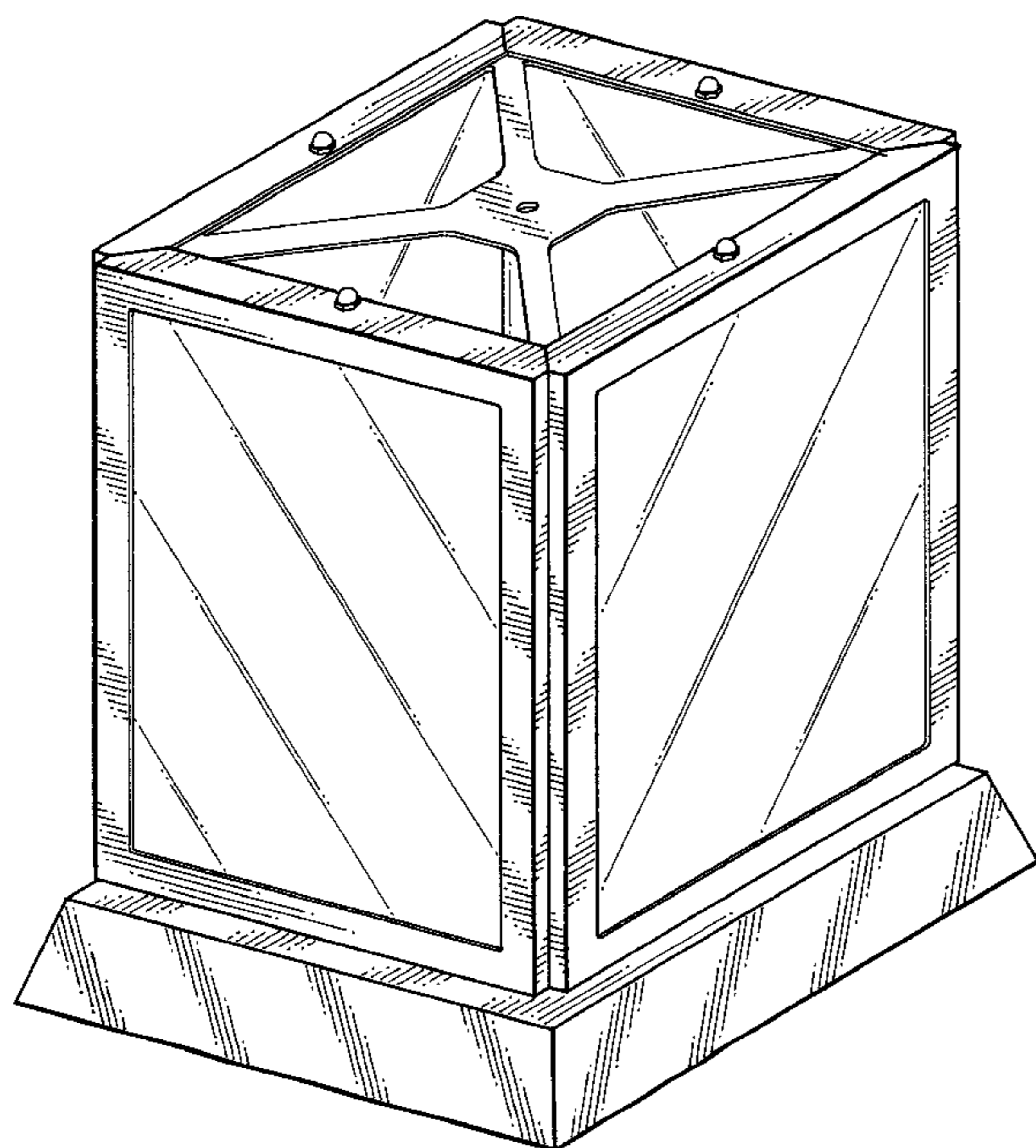
FIG. 1 is a perspective view of a rotatable mounting fixture for a lamp showing my new design;  
FIG. 2 is a top plan view thereof;  
FIG. 3 is a bottom plan view of a base thereof;  
FIG. 4 is a side elevation of thereof with a panel removed;  
and,  
FIG. 5 is a perspective view thereof with the panel removed.

(56) **References Cited**

**U.S. PATENT DOCUMENTS**

D345,024 S \* 3/1994 Fox ..... D26/93  
D349,171 S \* 7/1994 Hayes ..... D26/56  
D430,694 S \* 9/2000 Chiang ..... D26/110

**1 Claim, 4 Drawing Sheets**



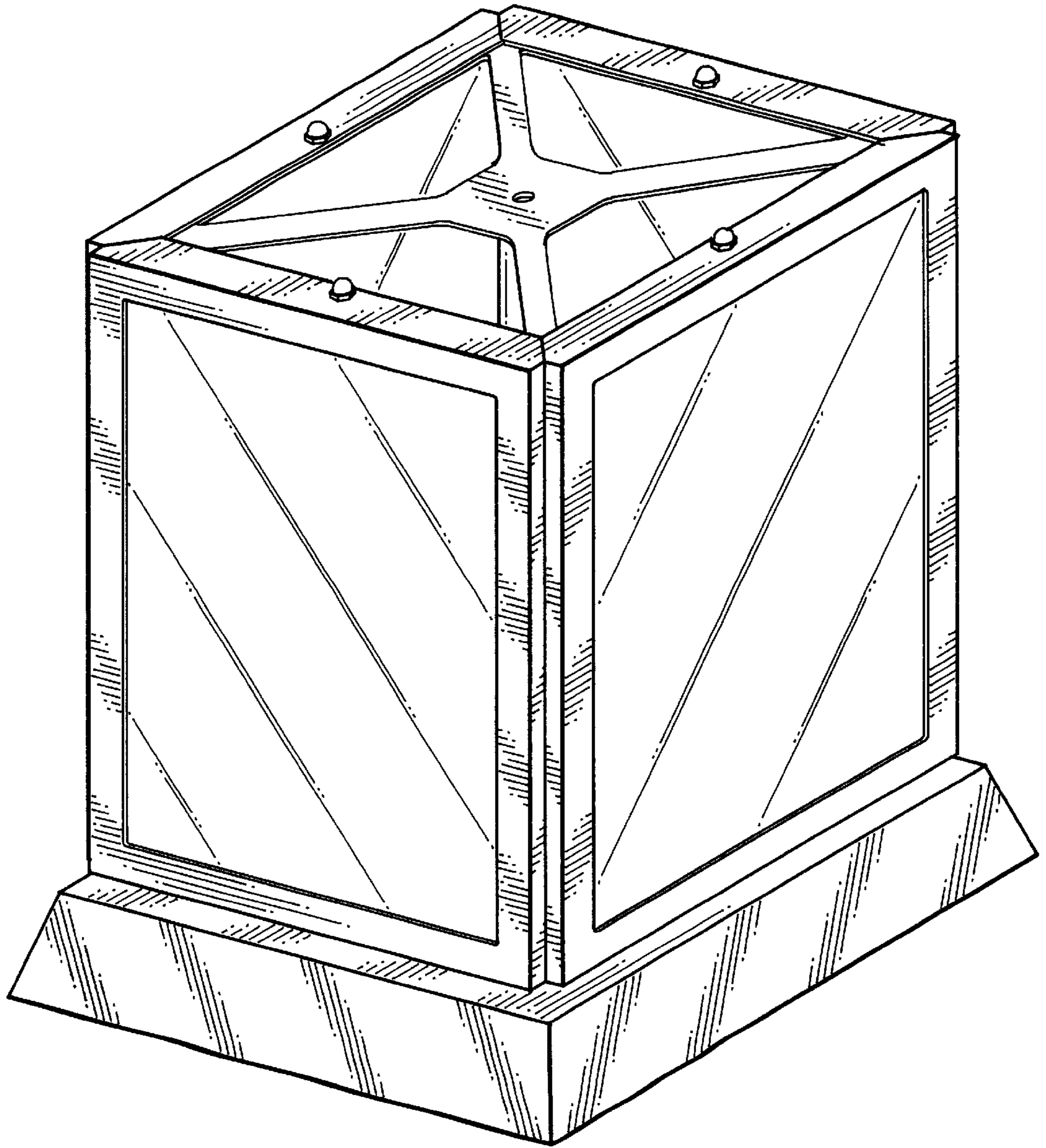


FIG. 1

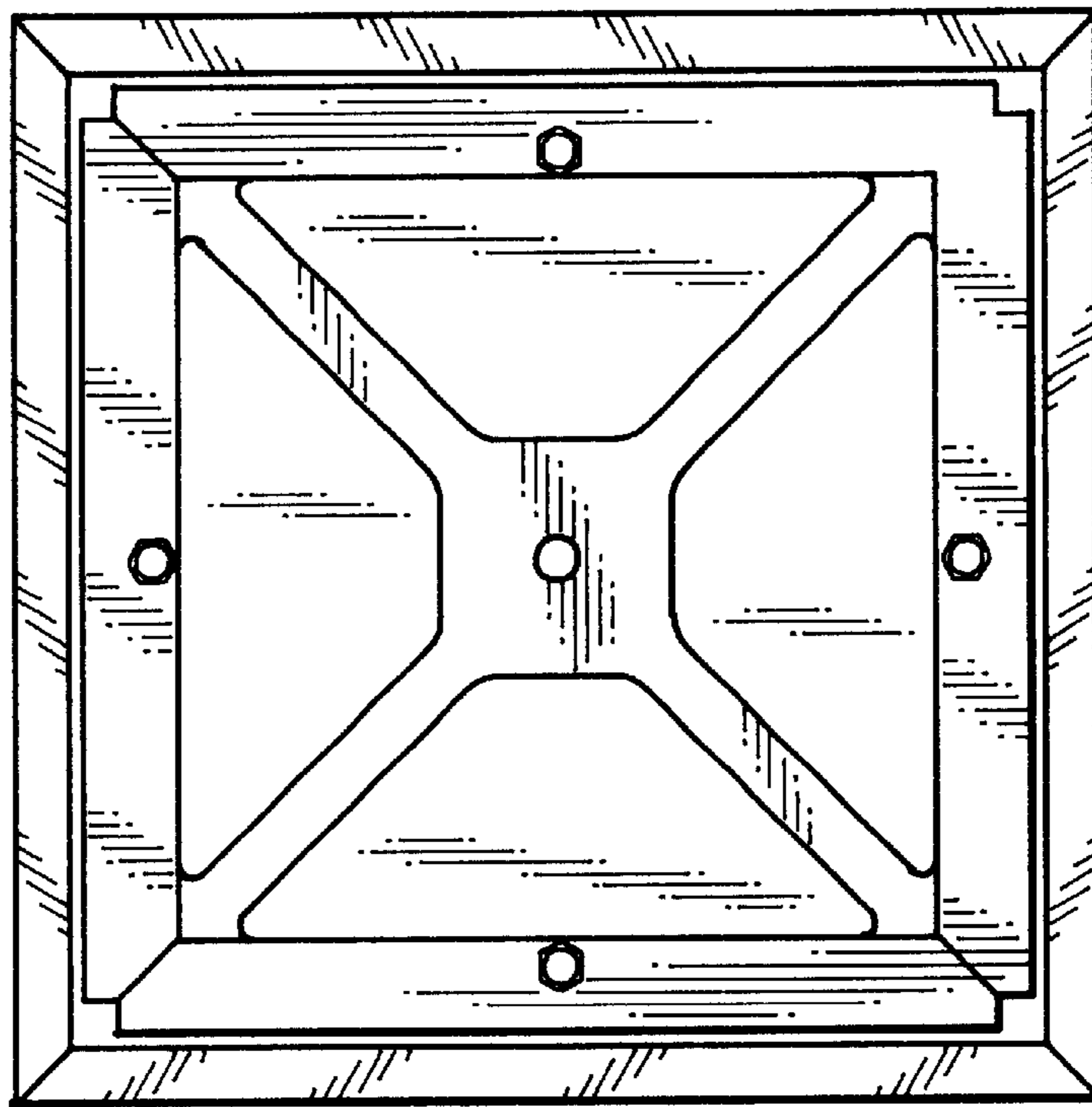


FIG. 2

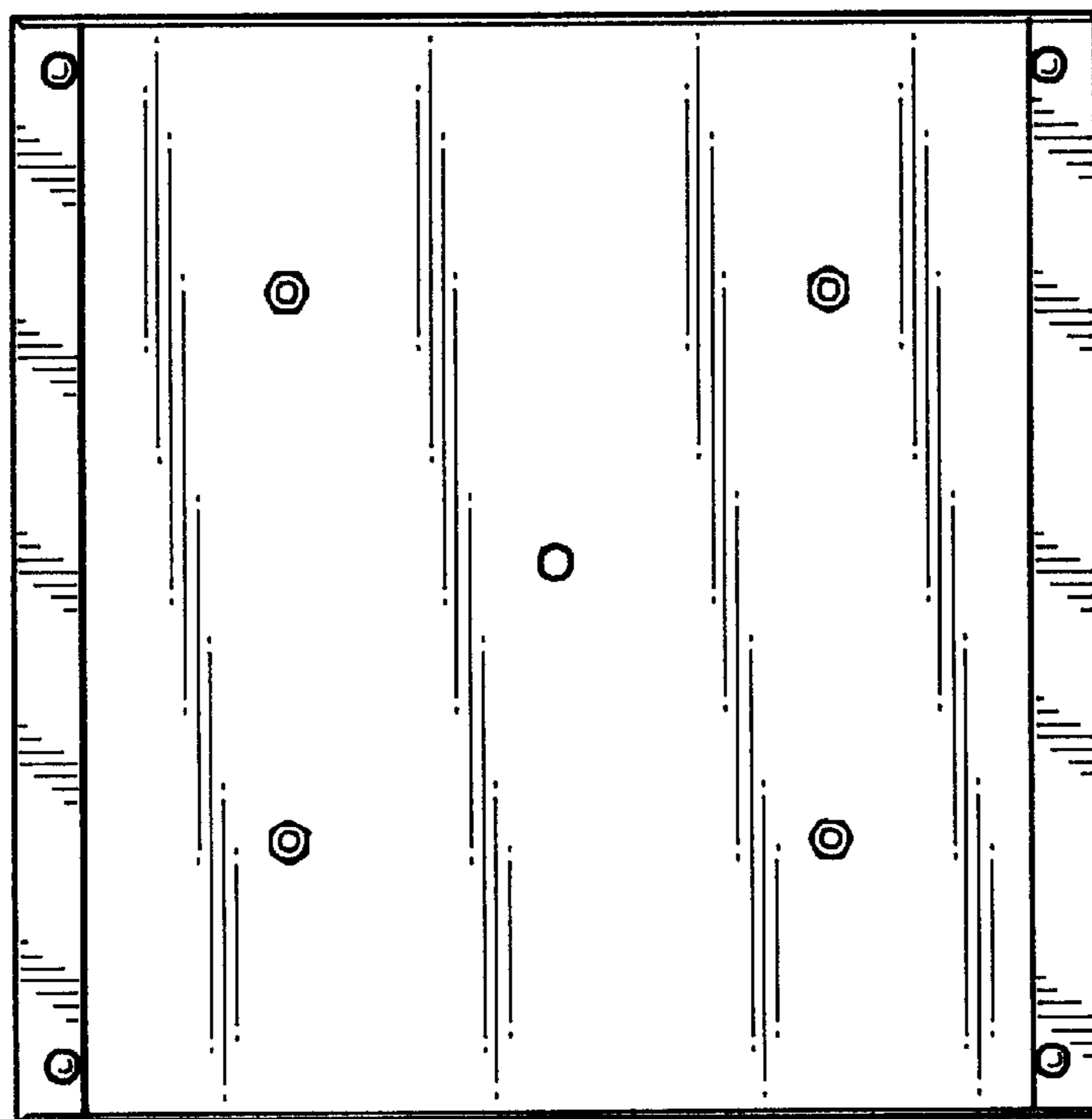
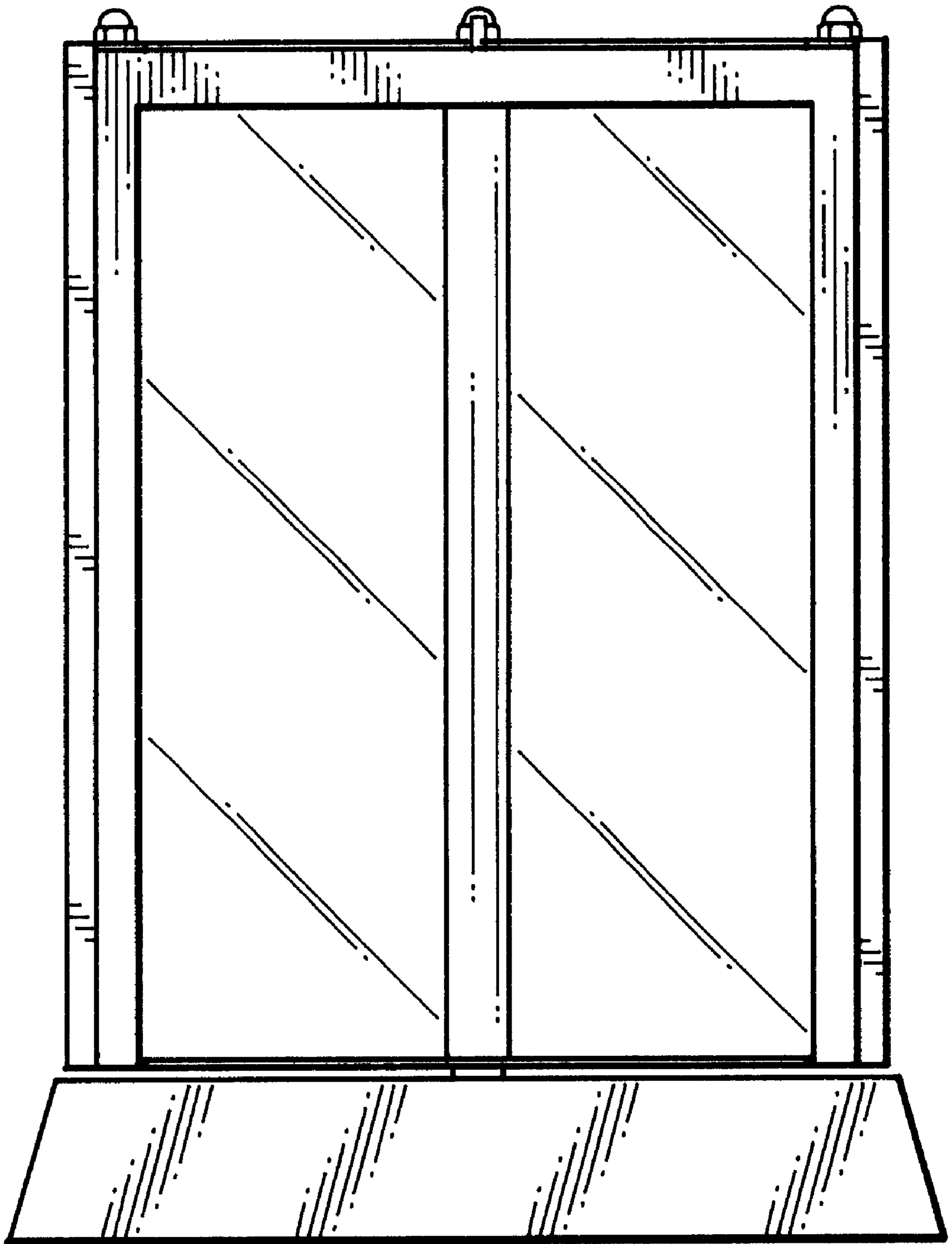


FIG. 3



**FIG. 4**

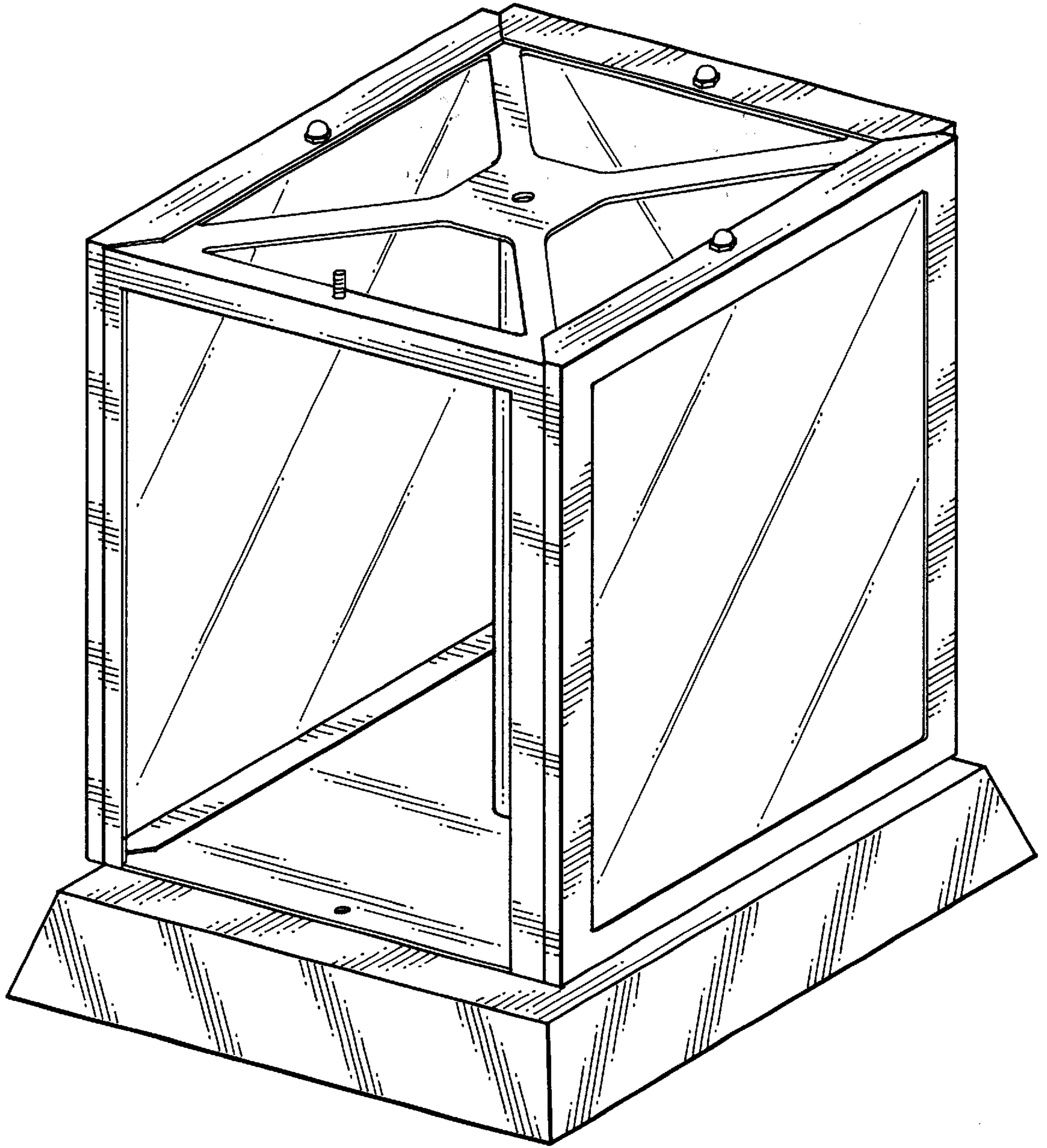


FIG. 5