



US00D480827S

(12) **United States Design Patent**
Hsieh

(10) **Patent No.:** **US D480,827 S**

(45) **Date of Patent:** **** Oct. 14, 2003**

(54) **TABLE LAMP**

D469,202 S * 1/2003 Tsai D26/65

(75) Inventor: **Duan-Cheng Hsieh**, Taipei (TW)

* cited by examiner

(73) Assignee: **Habitex Corporation**, Taipei (TW)

Primary Examiner—Pamela Burgess

Assistant Examiner—Linda Brooks

(**) Term: **14 Years**

(74) *Attorney, Agent, or Firm*—Foley & Lardner

(21) Appl. No.: **29/174,915**

(57) **CLAIM**

(22) Filed: **Jan. 28, 2003**

The ornamental design for a table lamp, as shown and described.

(51) **LOC (7) Cl.** **26-03**

DESCRIPTION

(52) **U.S. Cl.** **D26/108**

FIG. 1 is a perspective view of table lamp showing my new design;

(58) **Field of Search** D26/60–66, 93,
D26/105–112; 362/269, 270, 275, 277–289,
410–415, 418, 419, 427

FIG. 2 is a front elevational view thereof;

FIG. 3 is a rear elevational view thereof;

FIG. 4 is a left side elevational view thereof;

FIG. 5 is a right side elevational view thereof;

FIG. 6 is a top plan view thereof; and,

FIG. 7 is a bottom plan view thereof.

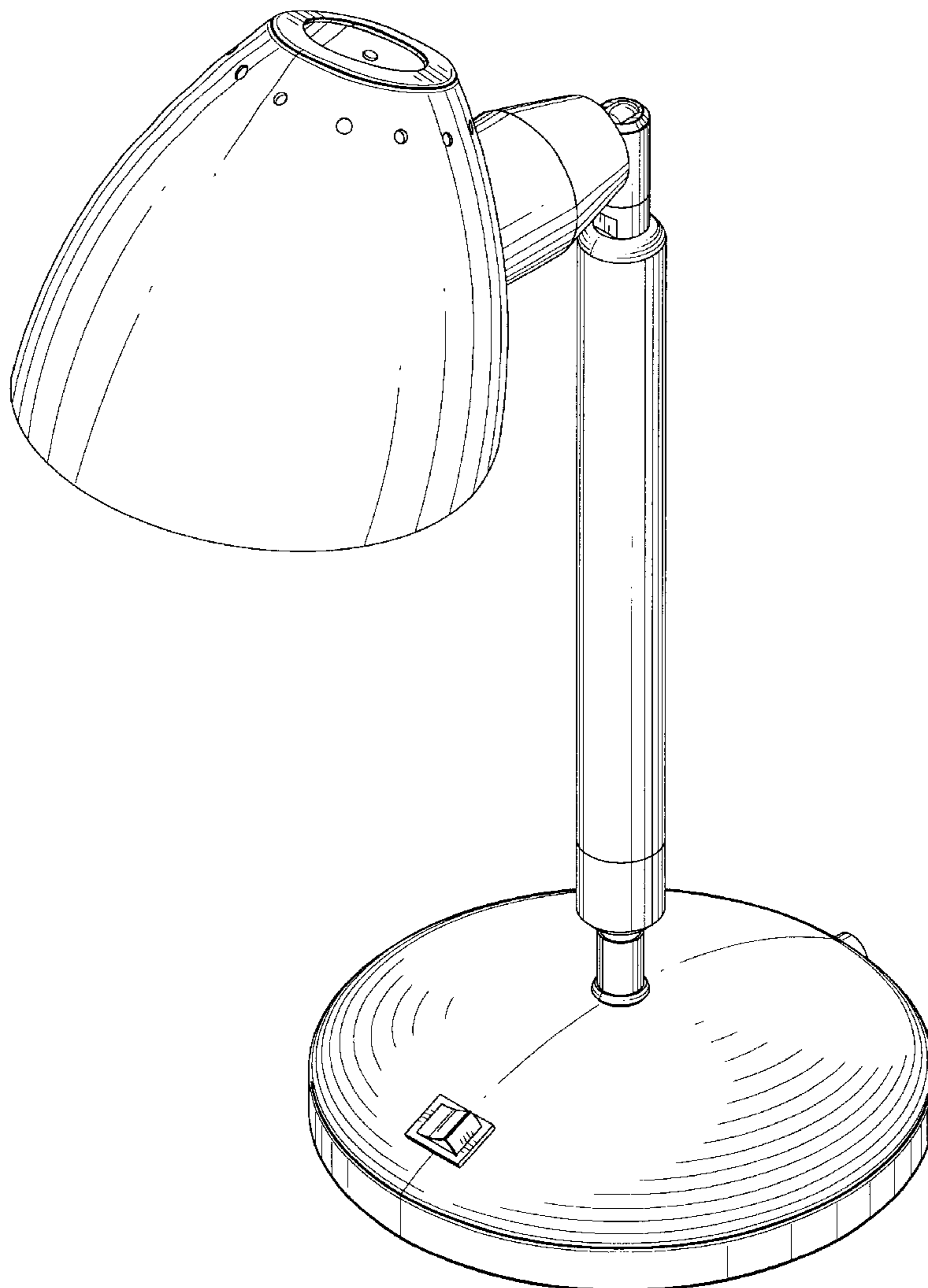
(56) **References Cited**

U.S. PATENT DOCUMENTS

D178,415 S * 7/1956 Mugnai D26/63

D391,665 S * 3/1998 Yang D26/108

1 Claim, 6 Drawing Sheets



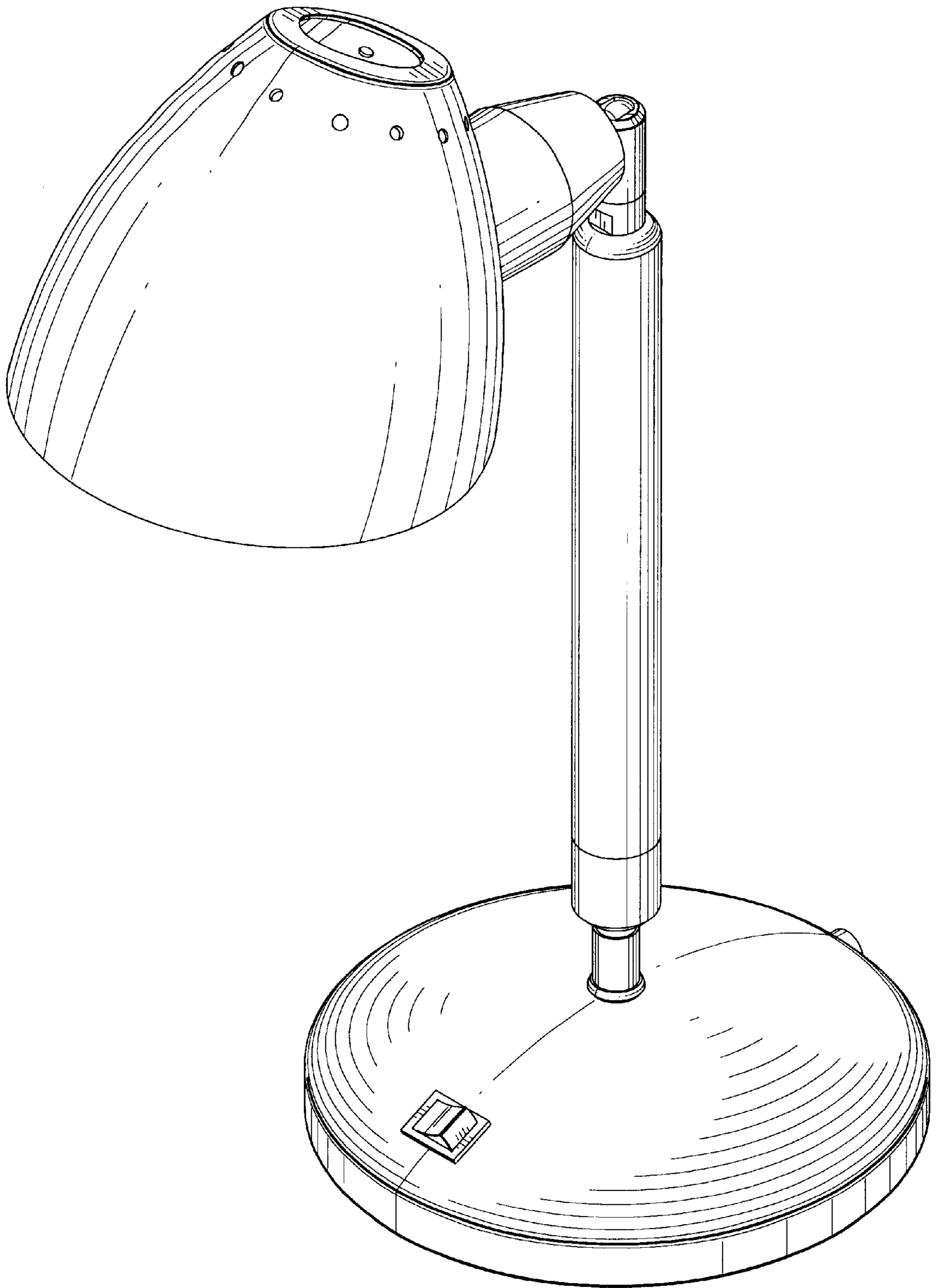


FIG. 1

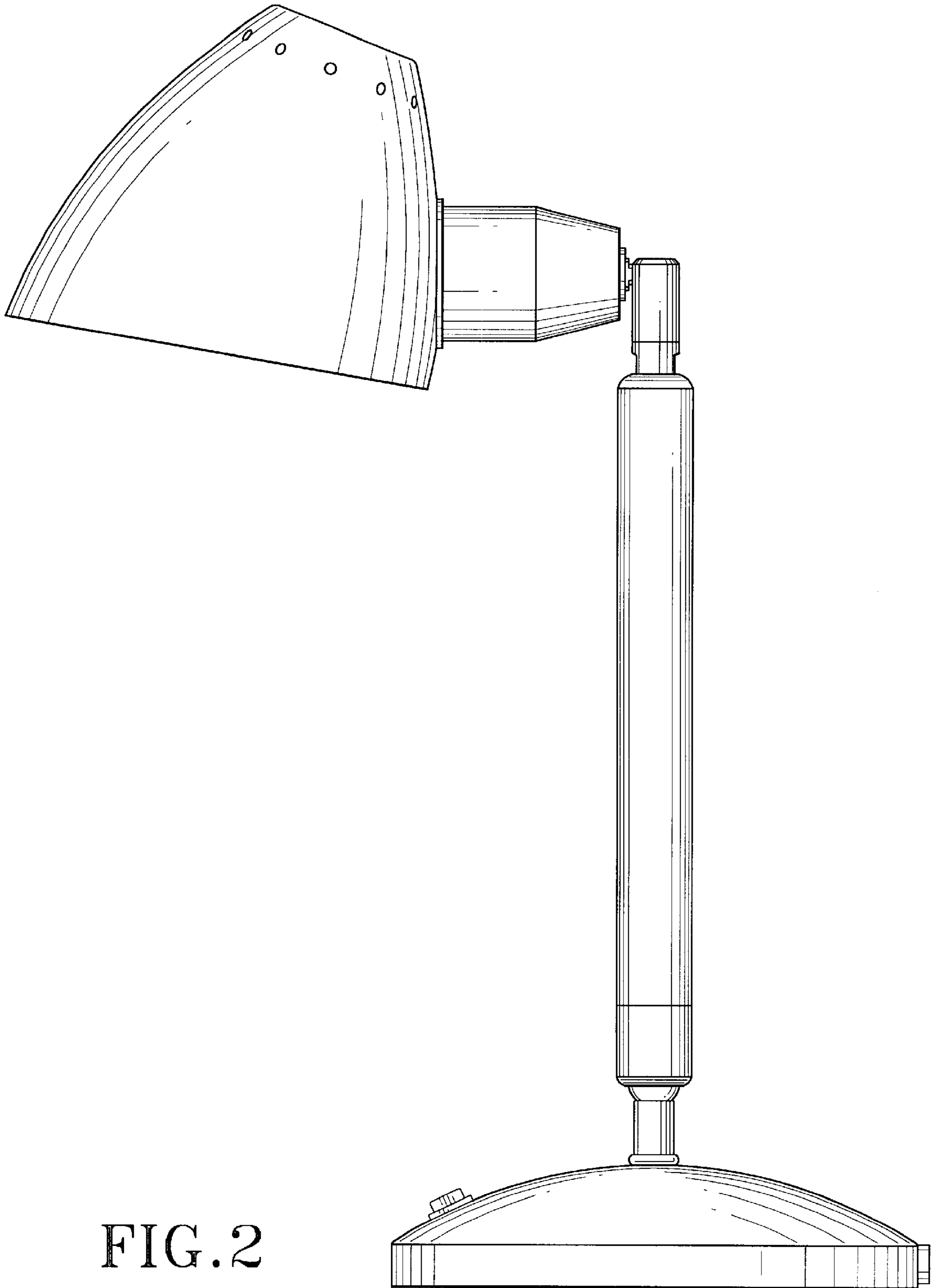


FIG. 2

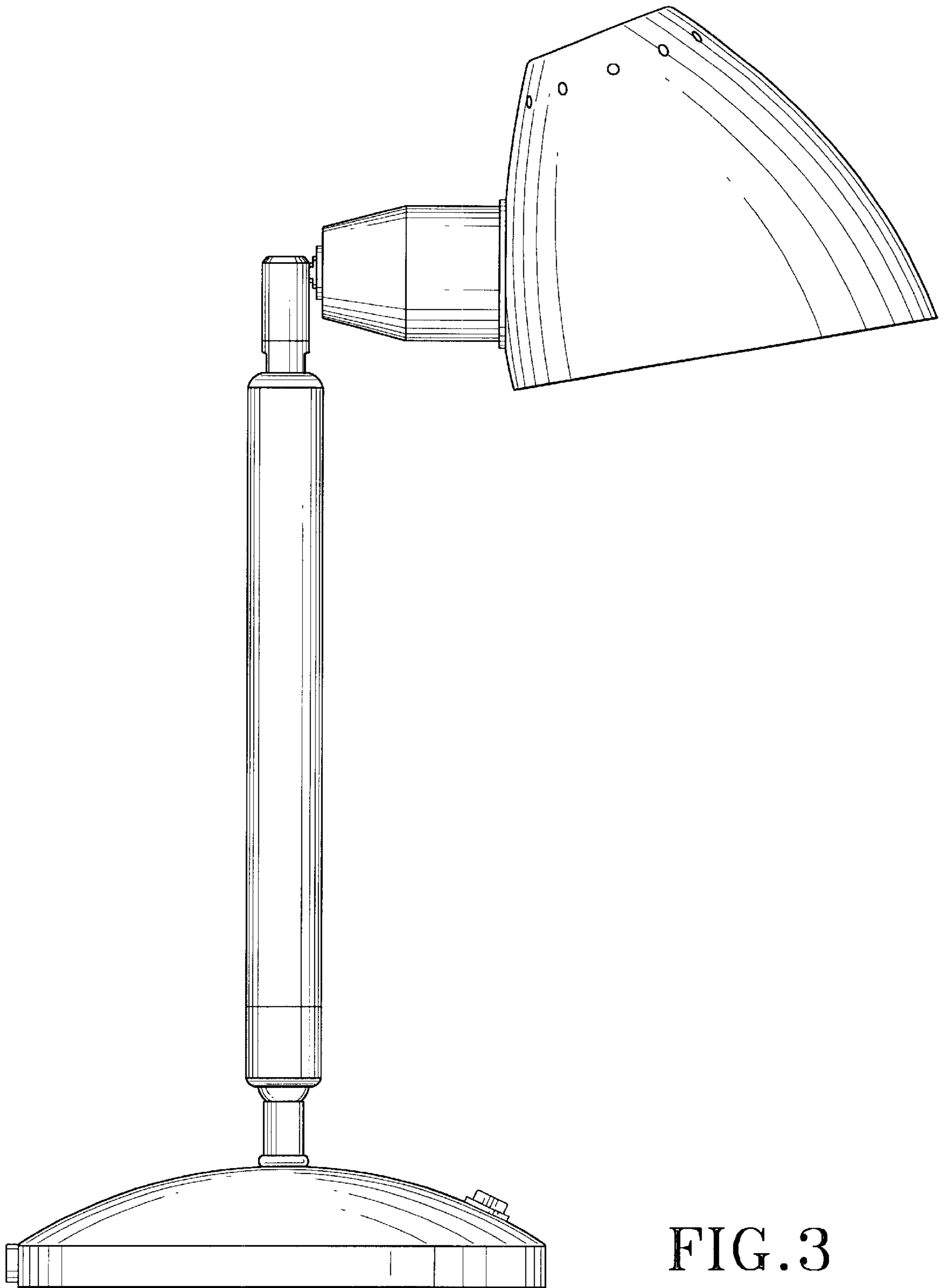


FIG. 3

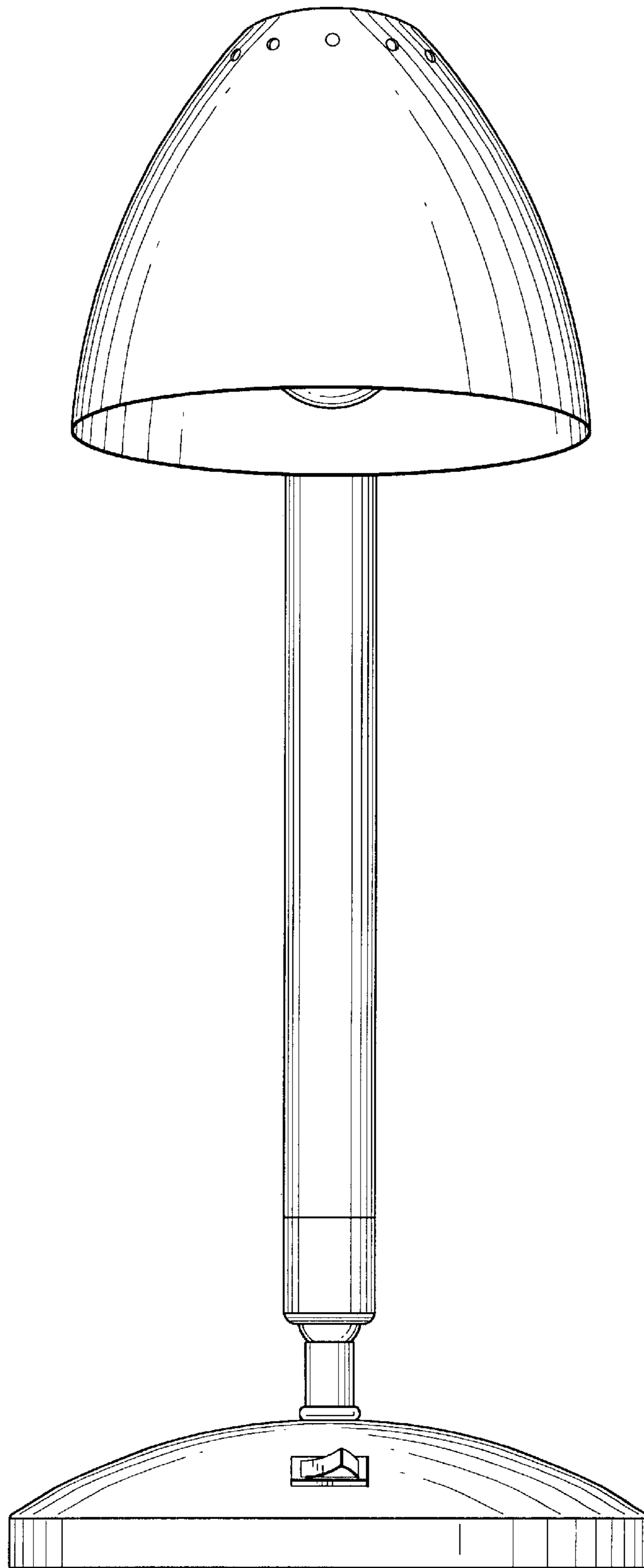


FIG. 4

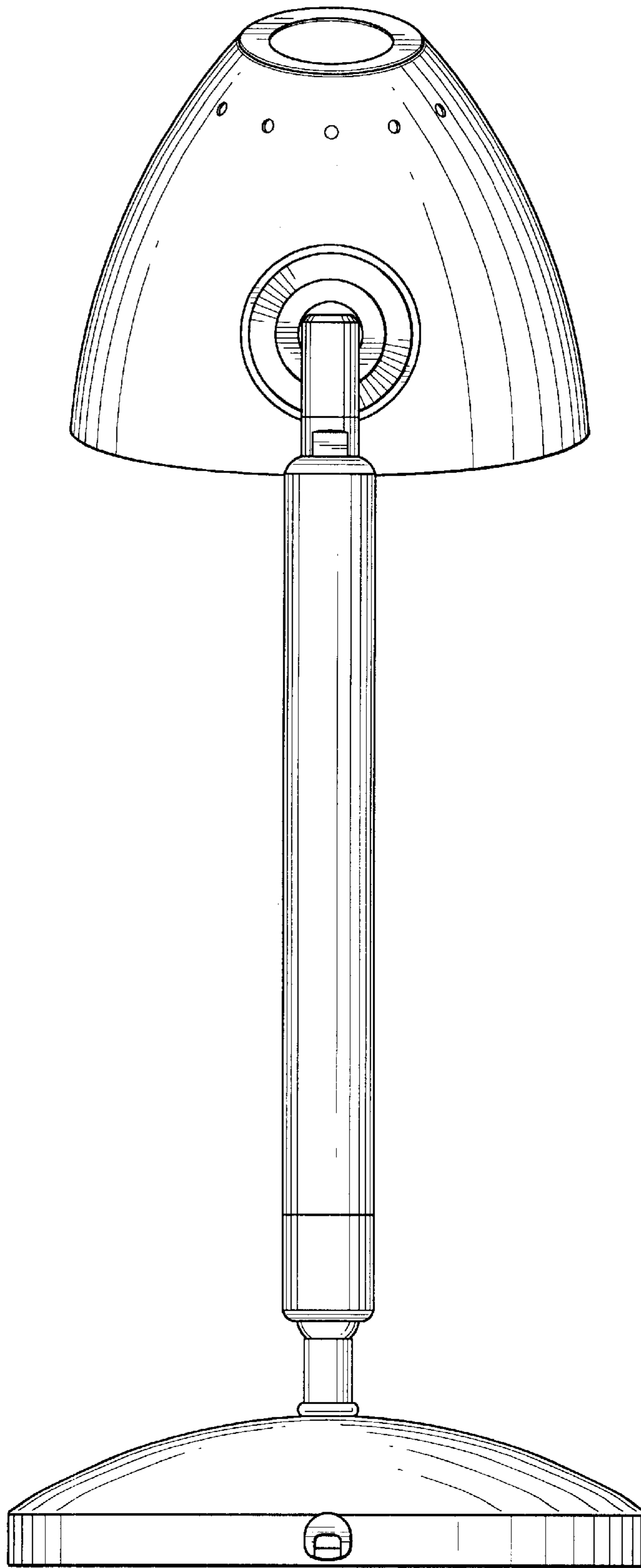


FIG. 5

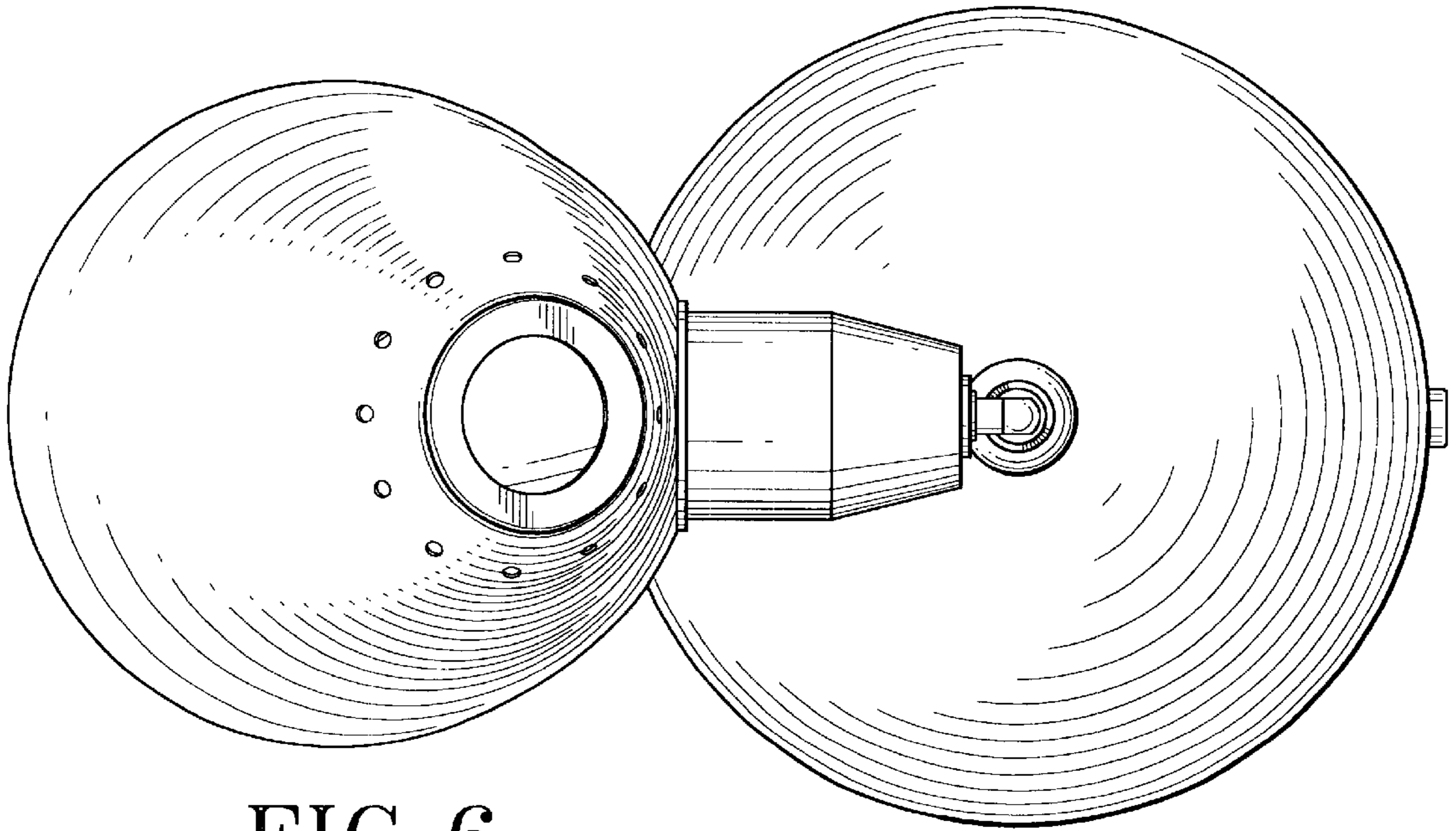


FIG. 6

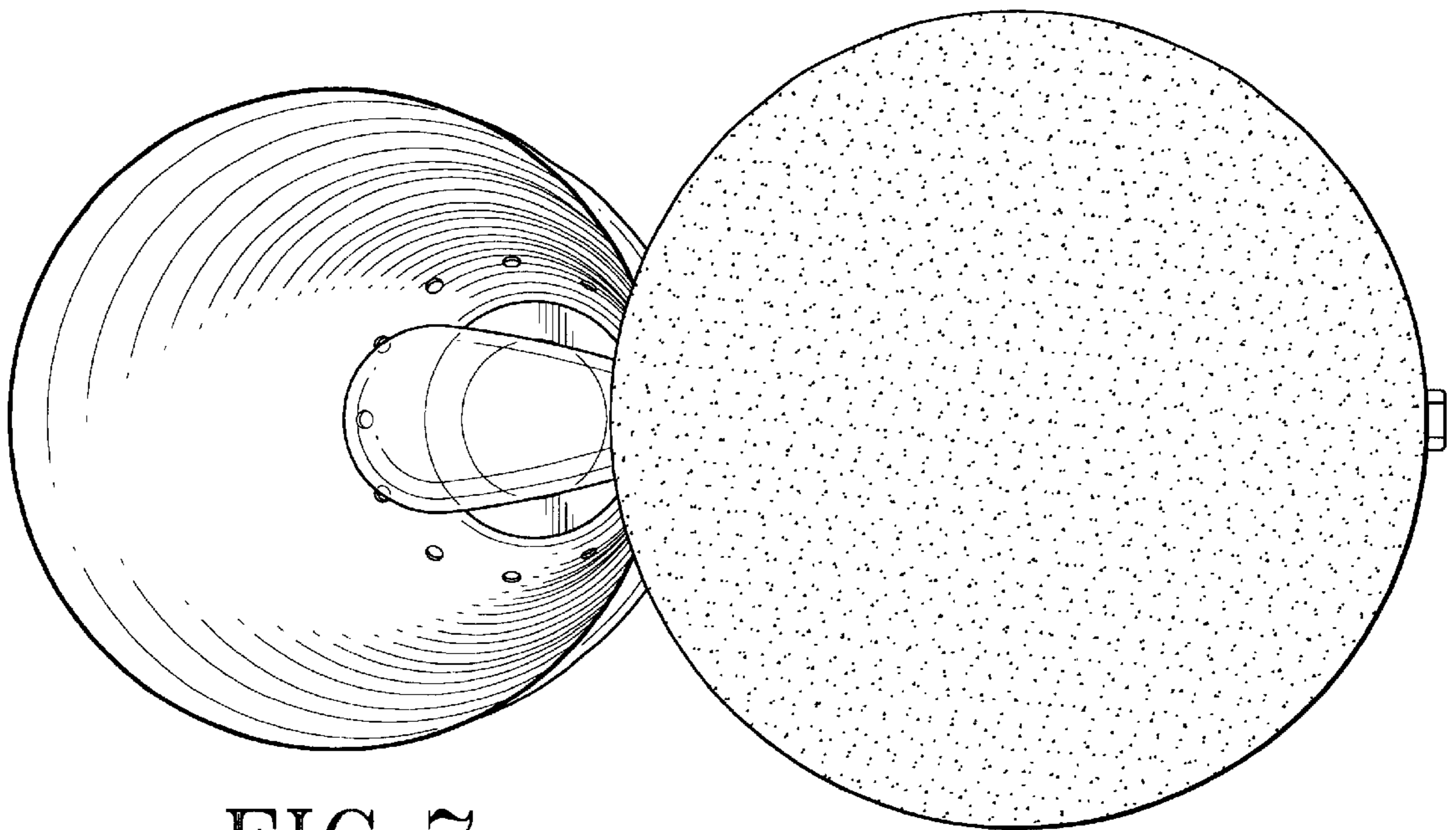


FIG. 7