



US00D480825S

(12) **United States Design Patent**
Englert et al.

(10) **Patent No.:** **US D480,825 S**

(45) **Date of Patent:** **** Oct. 14, 2003**

(54) **FLASHLIGHT**

(75) Inventors: **Robert S. Englert**, Syracuse, NY (US);
Scott W. Osiecki, Skaneateles, NY
(US); **Peter F. Lynch**, Skaneateles, NY
(US)

(73) Assignee: **Eveready Battery Company, Inc.**, St.
Louis, MO (US)

(**) Term: **14 Years**

(21) Appl. No.: **29/171,736**

(22) Filed: **Nov. 26, 2002**

(51) **LOC (7) Cl.** **26-02**

(52) **U.S. Cl.** **D26/49**

(58) **Field of Search** D26/37-50; 362/157,
362/158, 171, 172, 173, 183-208

(56) **References Cited**

U.S. PATENT DOCUMENTS

D450,871 S	*	11/2001	Dair et al.	D23/49
D454,968 S	*	3/2002	Dair et al.	D26/49
D466,242 S	*	11/2002	Chan	D26/49

* cited by examiner

Primary Examiner—Marcus A. Jackson

(74) *Attorney, Agent, or Firm*—Stewart A. Fraser

(57) **CLAIM**

We claim the ornamental design for a flashlight, as shown.

DESCRIPTION

FIG. 1 is a perspective view showing the front, top, and a first side of the flashlight of the present invention;

FIG. 2 is a plan view of the top of the flashlight of the present invention;

FIG. 3 is an elevational view of the first side of the flashlight of the present invention;

FIG. 4 is a plan view of the bottom of the flashlight of the present invention;

FIG. 5 is an elevational view of the front of the flashlight of the present invention;

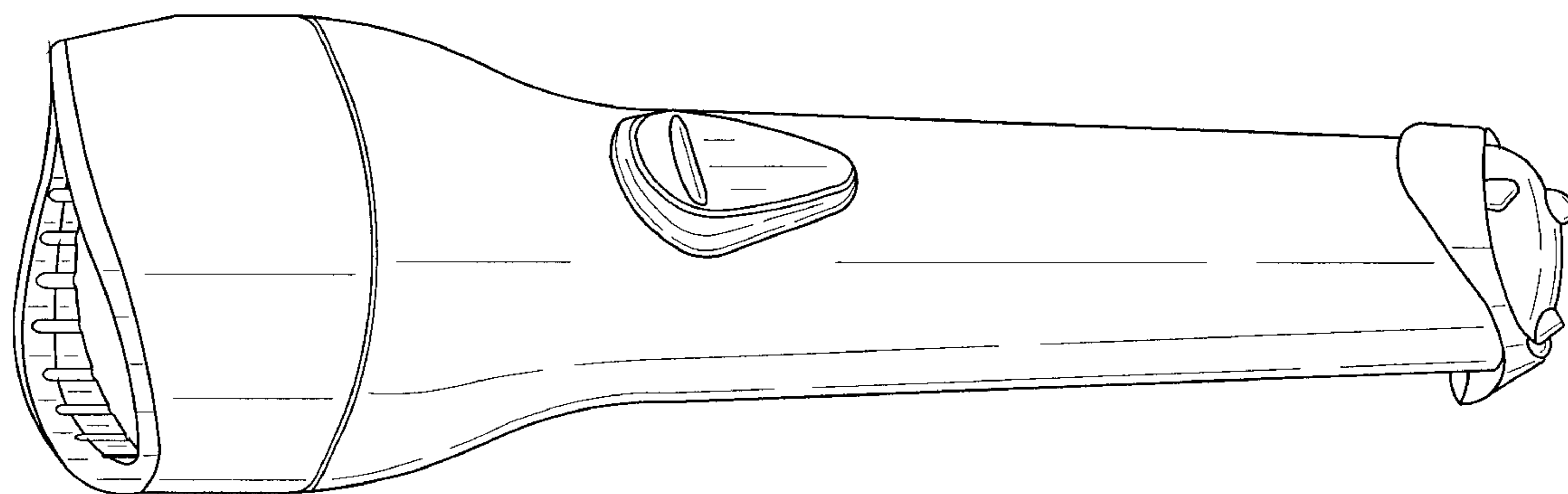
FIG. 6 is an elevational view of the rear of the flashlight of the present invention;

FIG. 7 is a perspective view of the front, bottom, and a second side of the flashlight of the present invention; and,

FIG. 8 is a perspective view of the top, rear, first side of the flashlight of the present invention.

The first side elevational view show in FIG. 3 is a mirror image of the opposite side of the flashlight of the present invention;

1 Claim, 4 Drawing Sheets



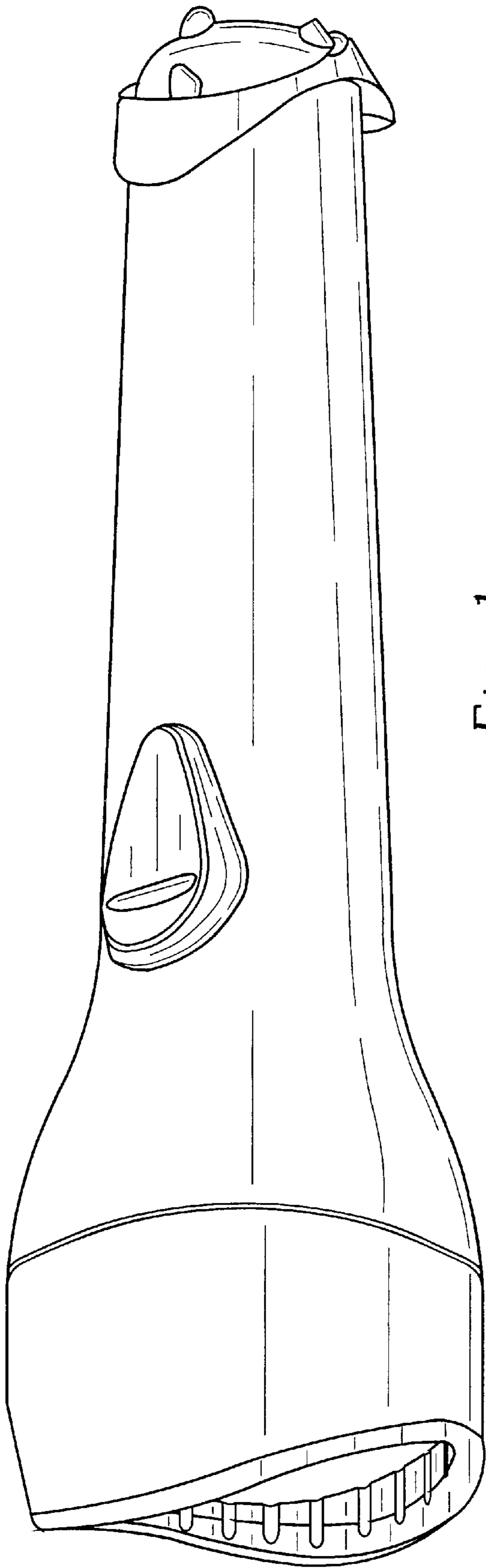


Fig. 1

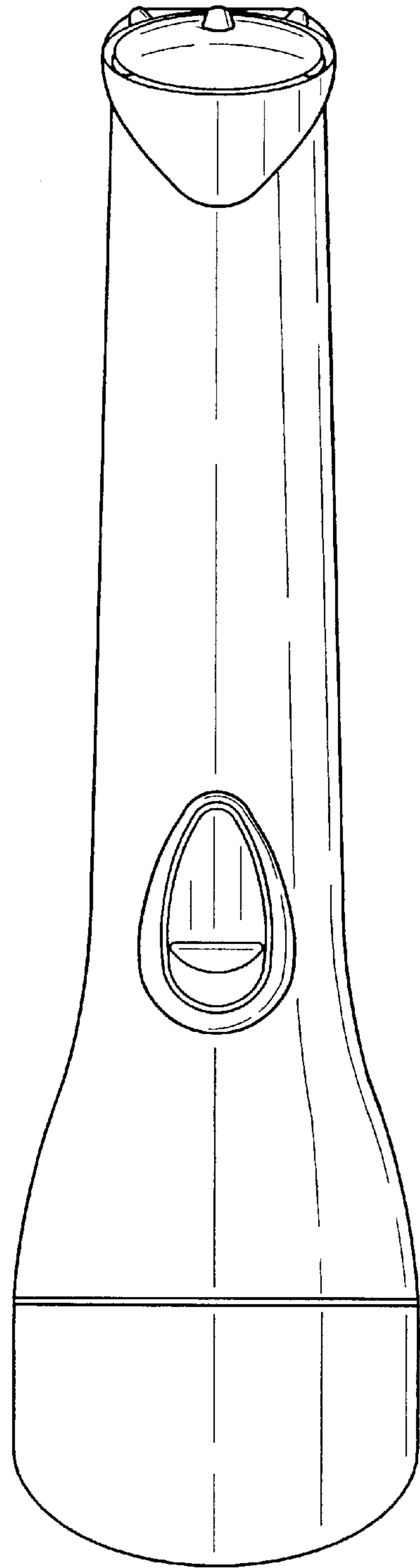


Fig. 2

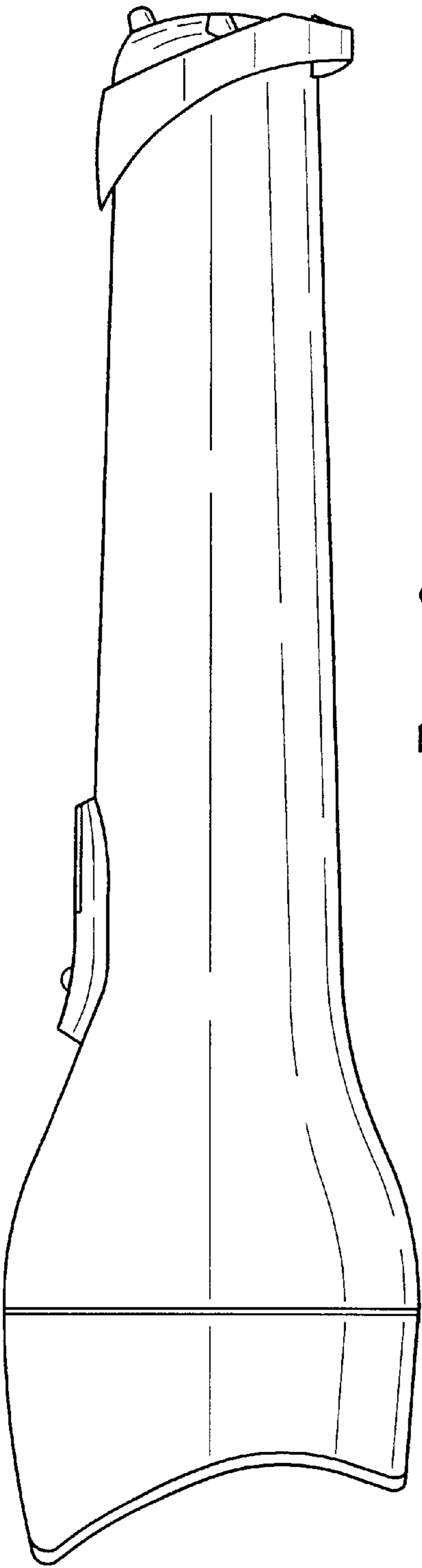


Fig. 3

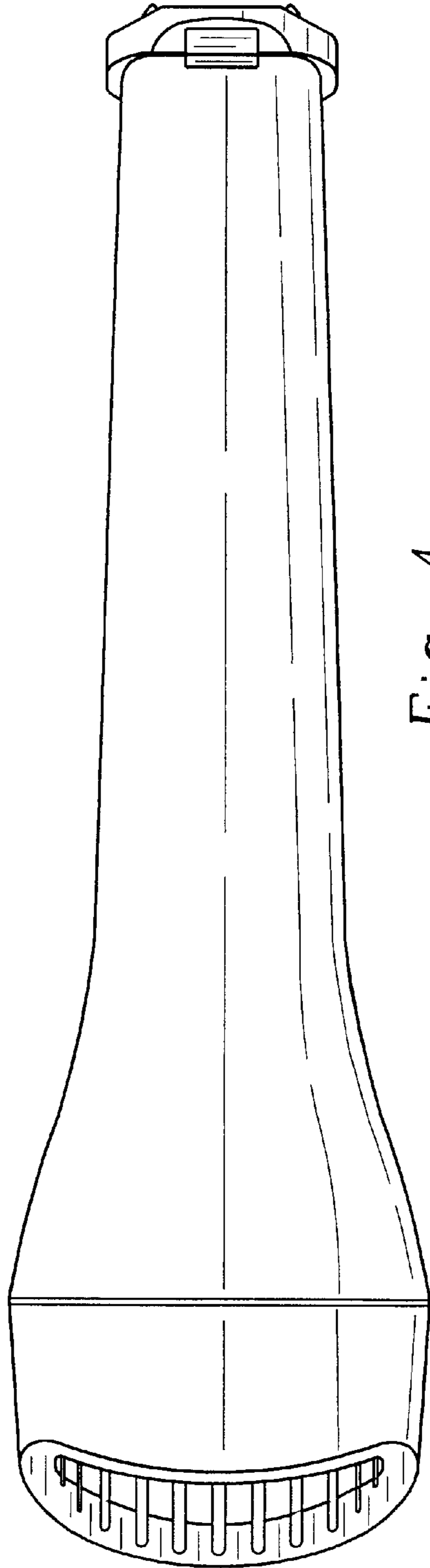


Fig. 4

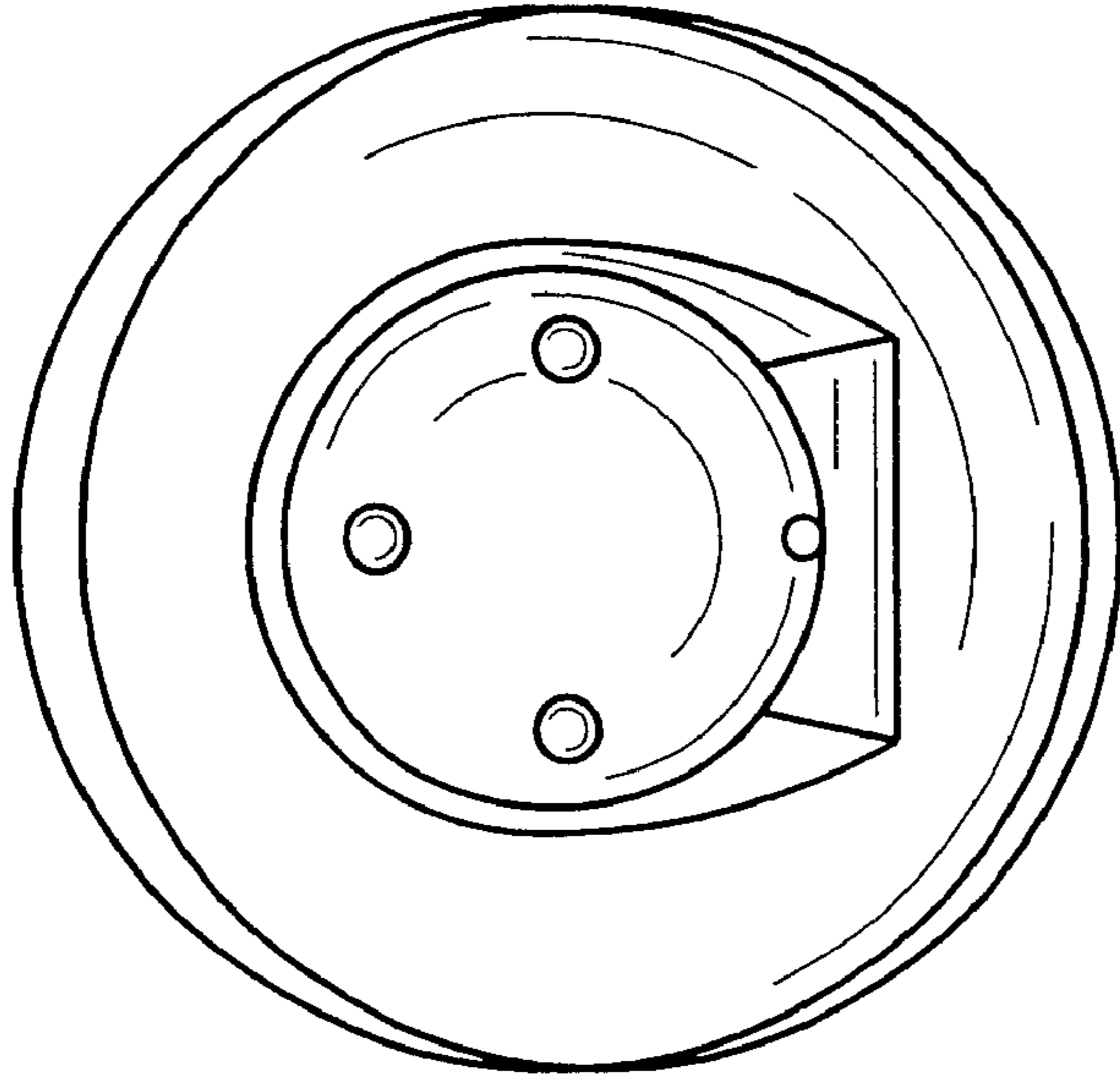


Fig. 5

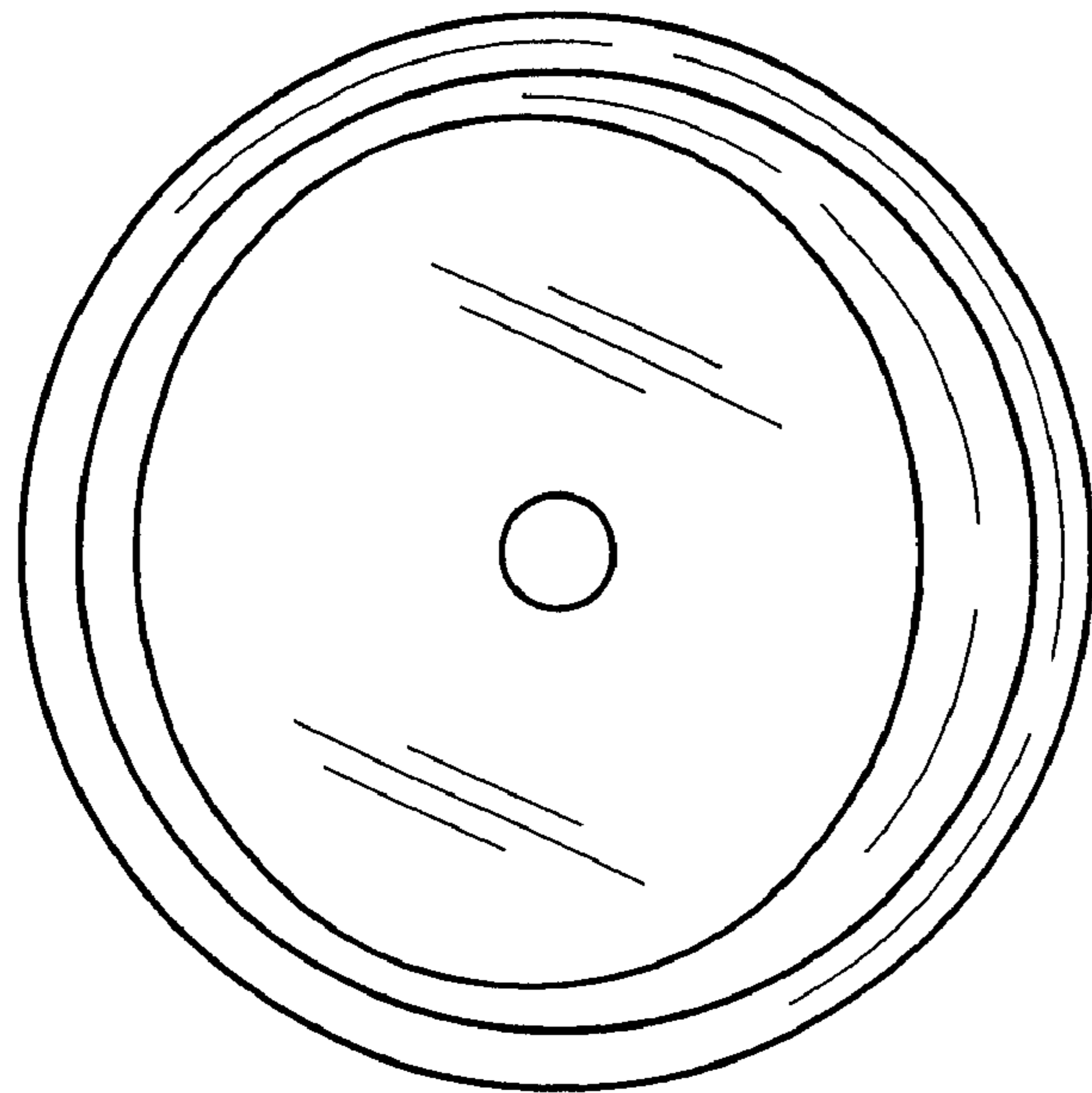


Fig. 6

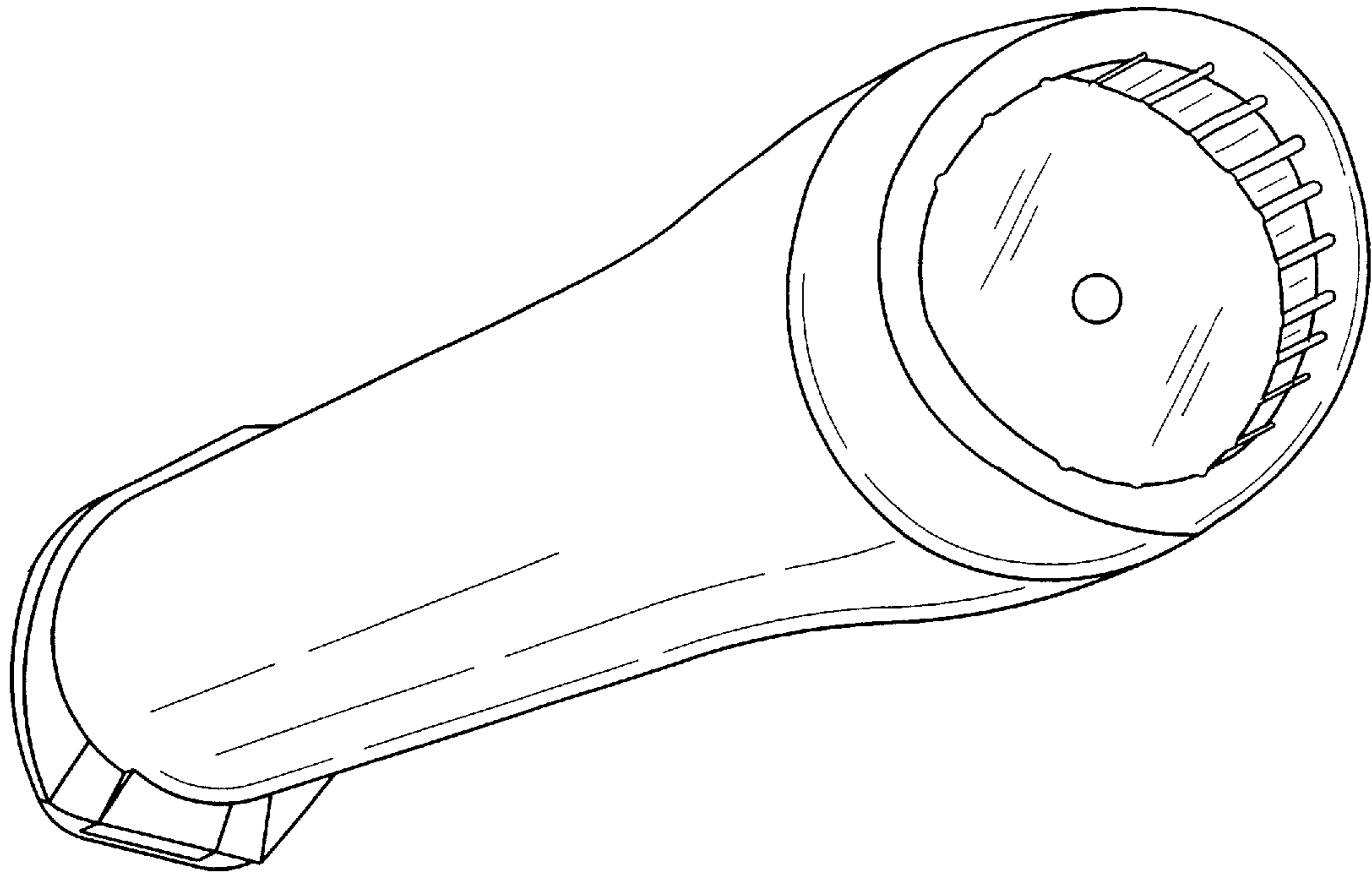


Fig. 7

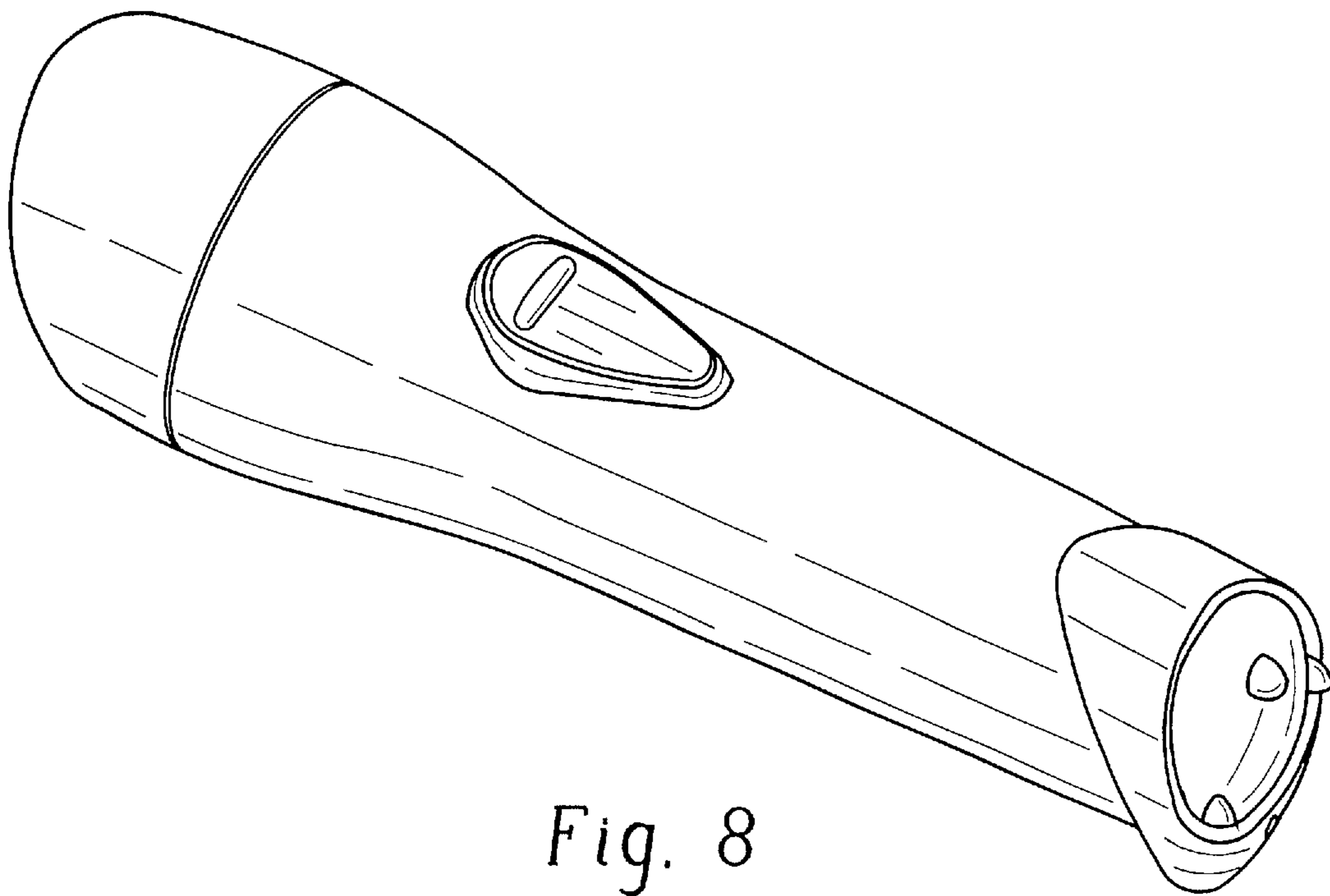


Fig. 8