



US00D480820S

(12) **United States Design Patent**  
**Perkins et al.**

(10) **Patent No.:** **US D480,820 S**

(45) **Date of Patent:** **\*\* Oct. 14, 2003**

(54) **HANDRAIL**

(75) Inventors: **Nancy Jane Perkins**, Mountain View, CA (US); **John Leavitt Gard**, Mountain View, CA (US)

(73) Assignee: **Construction Specialties, Inc.**, Lebanon, NJ (US)

(\*\*) Term: **14 Years**

(21) Appl. No.: **29/155,288**

(22) Filed: **Feb. 6, 2002**

**Related U.S. Application Data**

(63) Continuation of application No. 29/135,607, filed on Jan. 16, 2001.

(51) **LOC (7) Cl.** ..... **15-01**

(52) **U.S. Cl.** ..... **D25/119**

(58) **Field of Search** ..... D25/38, 119, 43-44; 256/59, 65, 1

(56) **References Cited**

**U.S. PATENT DOCUMENTS**

4,353,529 A \* 10/1982 Brown ..... 256/59  
D301,623 S \* 6/1989 Gosjean ..... D25/119

**OTHER PUBLICATIONS**

Excerpt from 1999 catalog of C.S. Steel SA for Acrovyn®.  
2000 Catalog of C/S Group for C/S Acrovyn®.  
1999 Catalog of SPM (French language).

\* cited by examiner

*Primary Examiner*—Doris Clark  
(74) *Attorney, Agent, or Firm*—Baker Botts LLP

(57) **CLAIM**

The ornamental design for a handrail, as shown and described.

**DESCRIPTION**

FIG. 1 is an end elevational view, which shows the outer contour of all embodiments of a handrail according to the new design and also shows an exemplary mounting bracket in phantom lines, the mounting bracket not being part of the design;

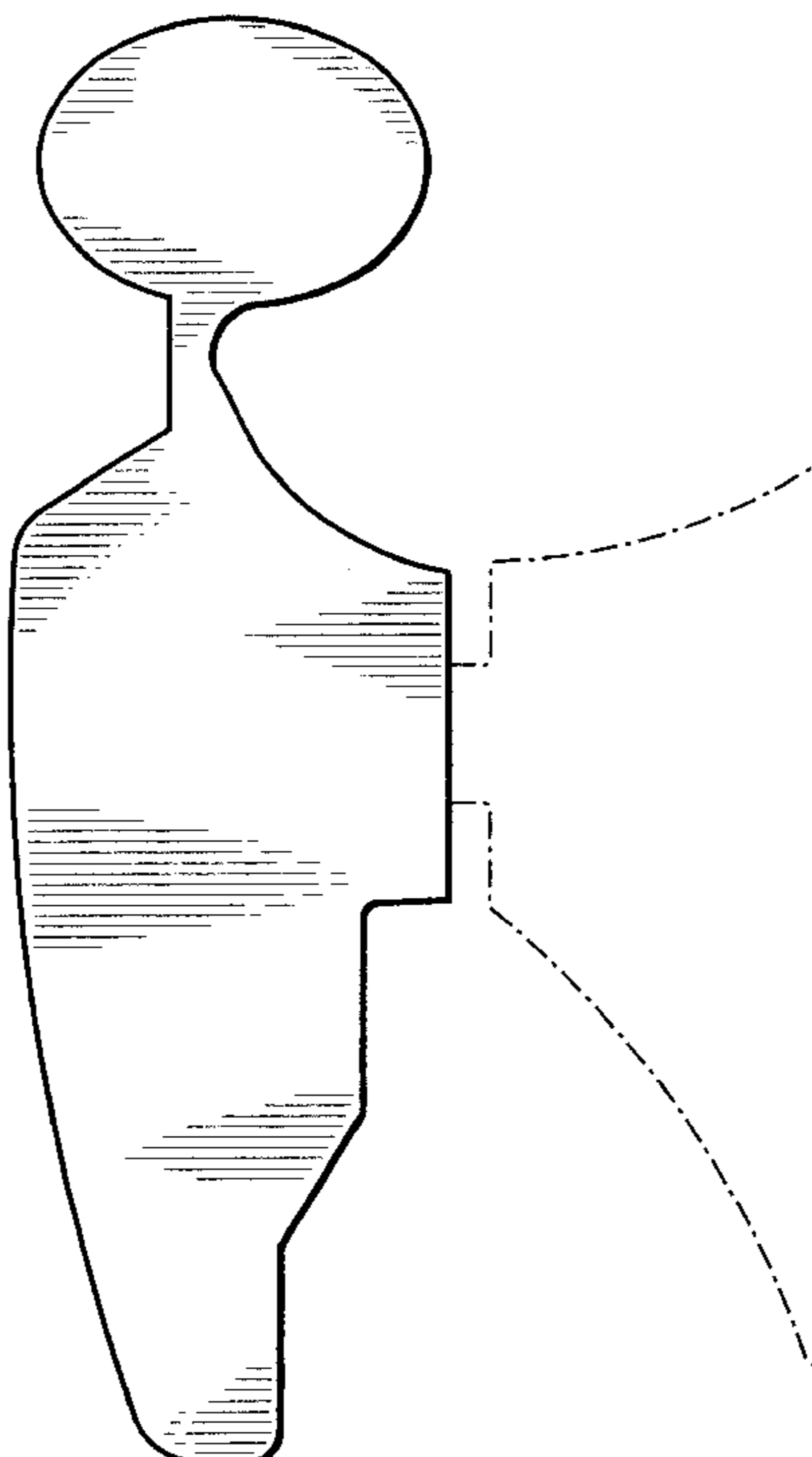
FIG. 2 is a three-quarter front perspective view of the left end portion of a first embodiment, taken from a viewpoint to the left and below, and is also a mirror image of the right end portion; the length of the handrails of all embodiments is variable;

FIG. 3 is a three-quarter front perspective view of the left end portion of the first embodiment, taken from a viewpoint to the left and above, and is also a mirror image of the right end portion;

FIG. 4 is a three-quarter front perspective view of the left end portion of the first embodiment, taken from a viewpoint to the left and slightly above, and is also a mirror image of the right end portion; and,

FIG. 5 is a three-quarter front perspective view of the left end portion of a second embodiment, taken from a viewpoint to the left and slightly above, and is also a mirror image of the right end portion; the second embodiment includes a vertical accent strip between the rail body and each end cap.

**1 Claim, 5 Drawing Sheets**



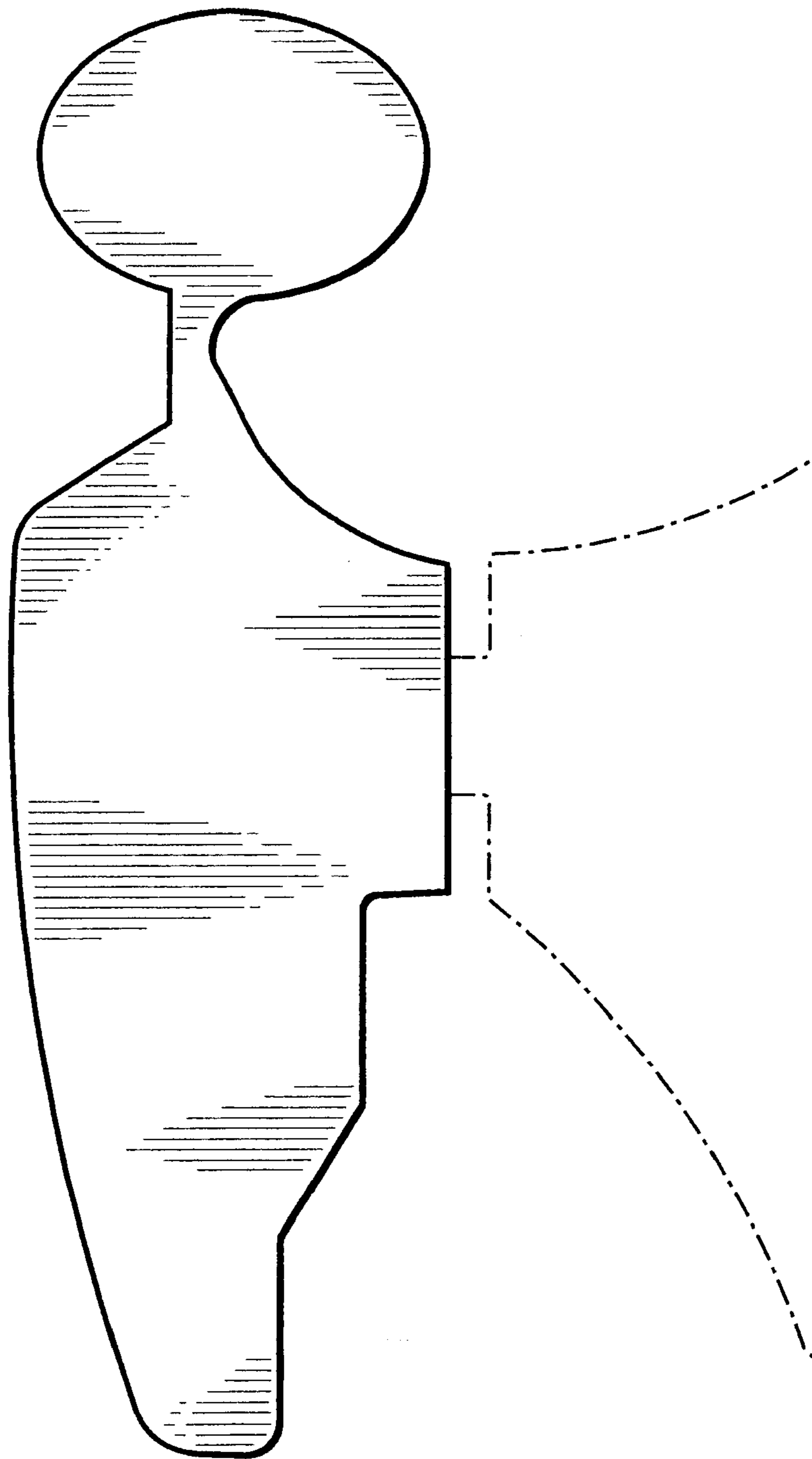


FIG. 1

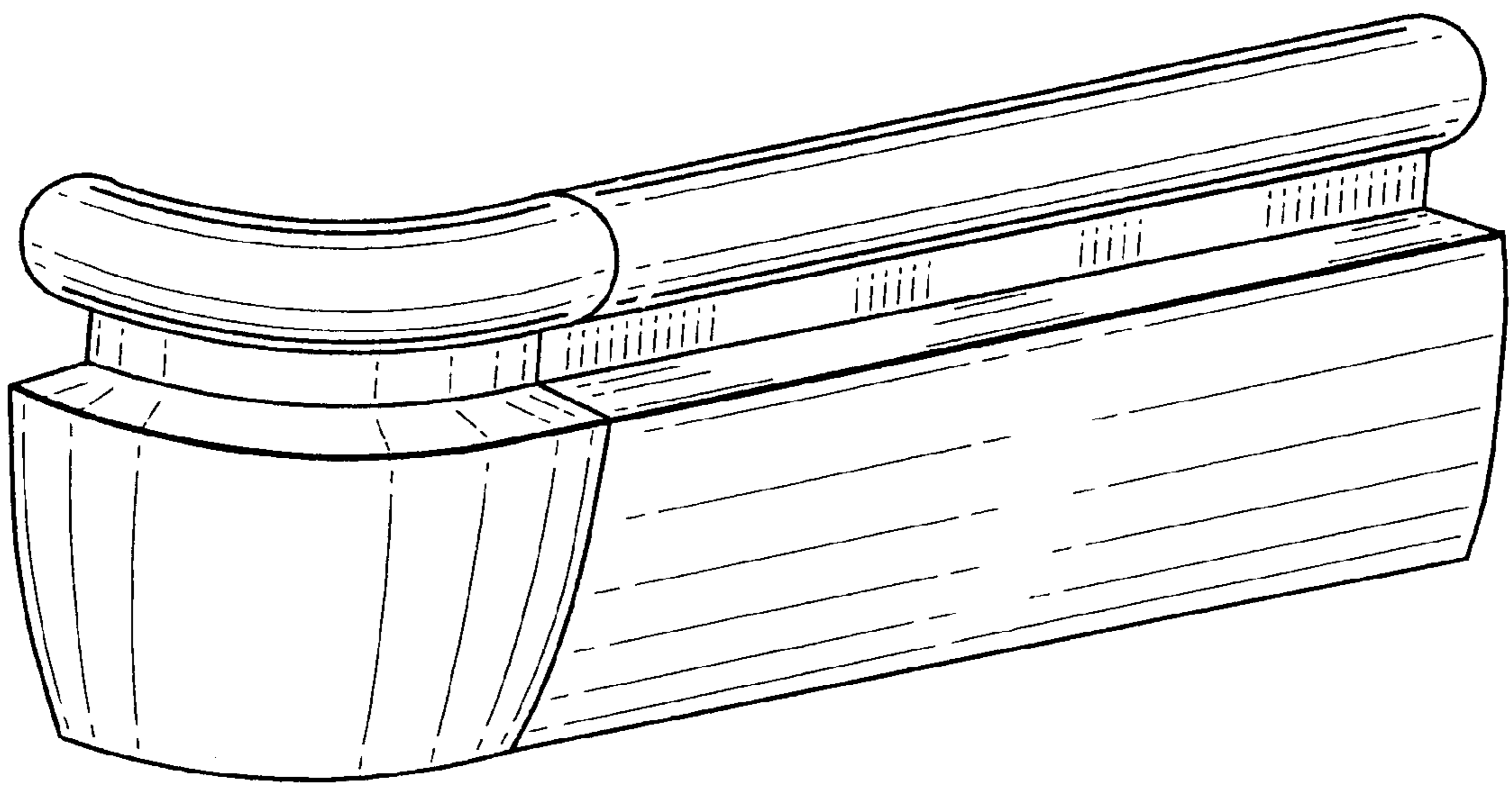


FIG. 2

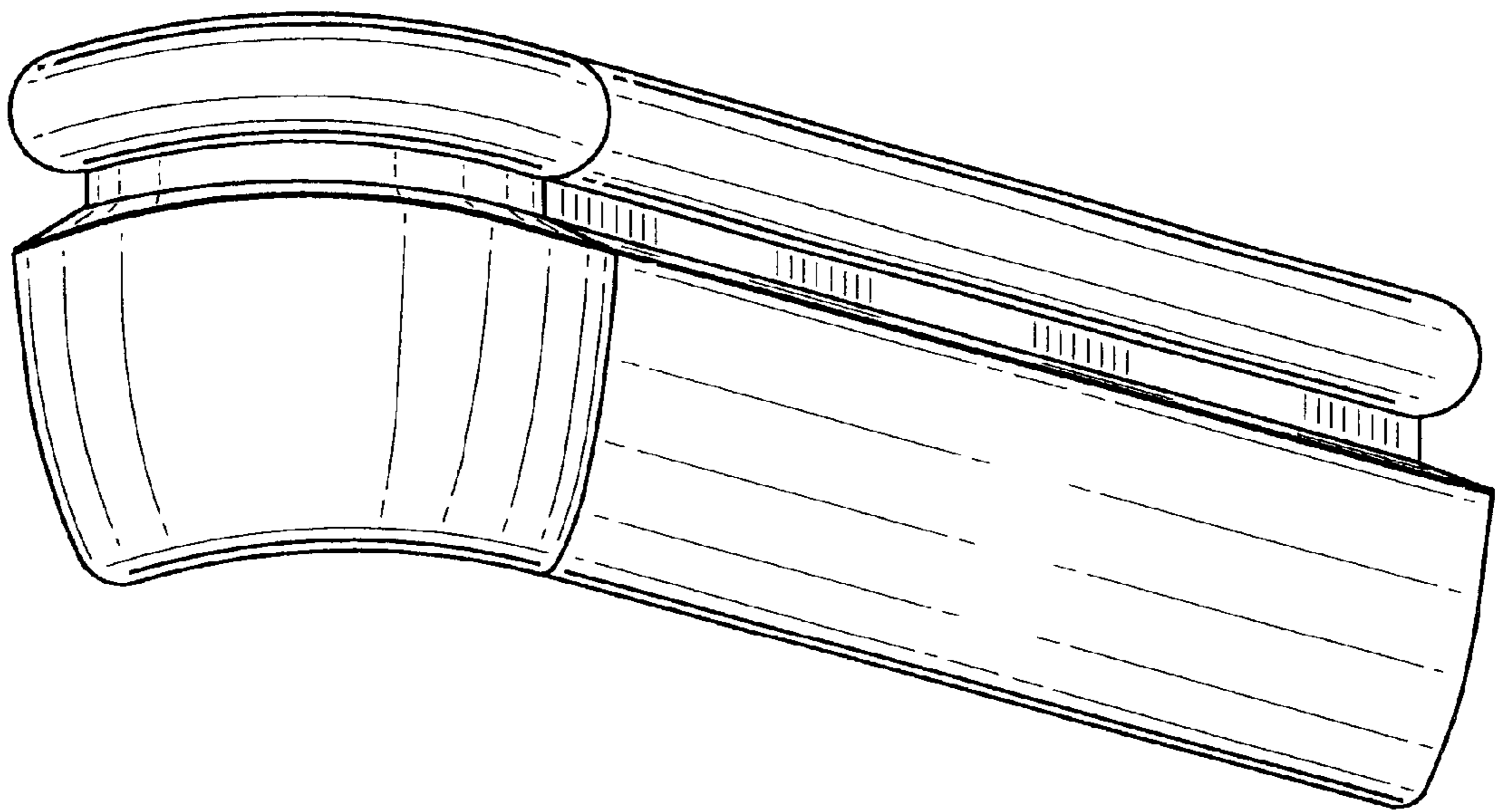


FIG. 3

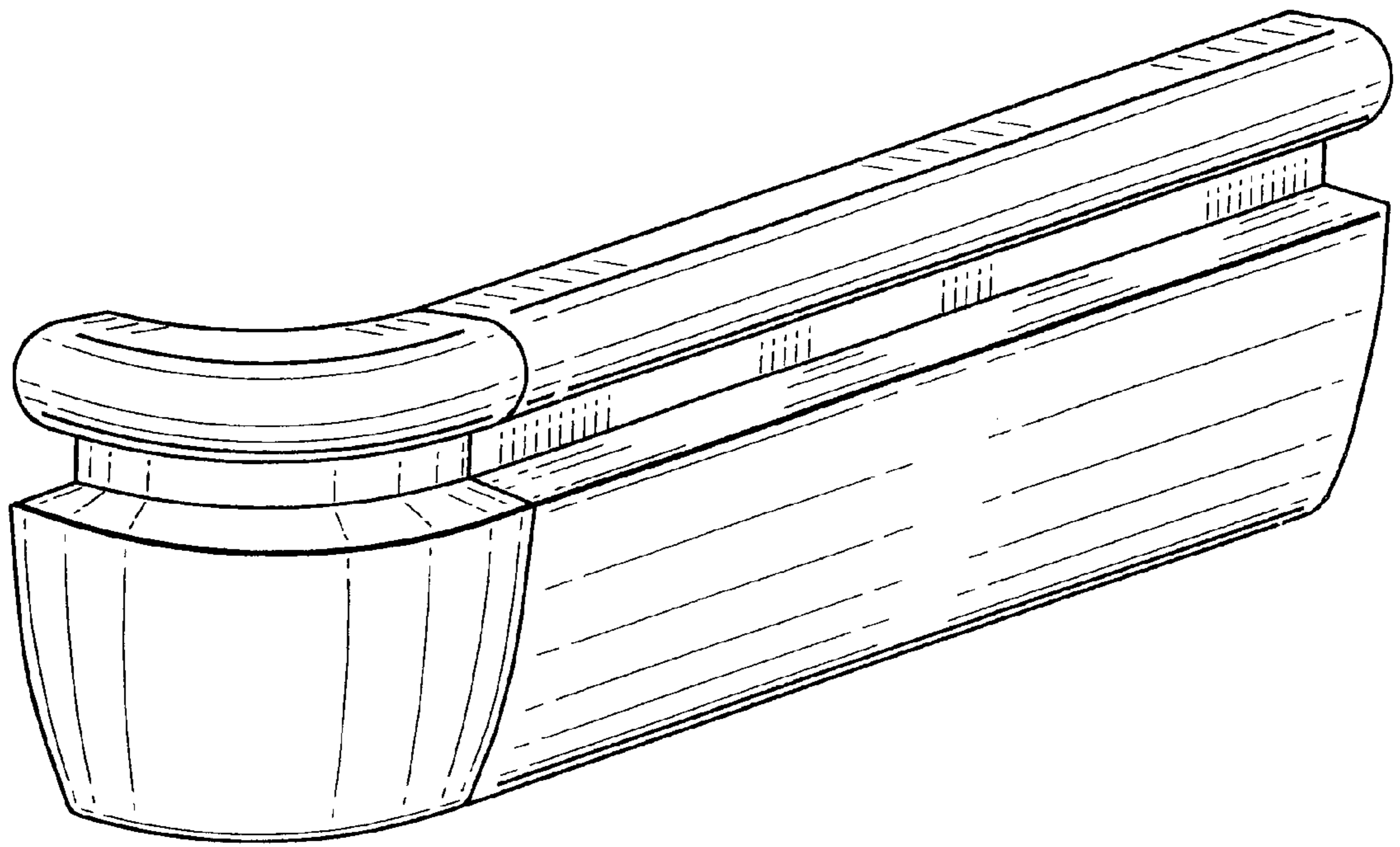


FIG. 4

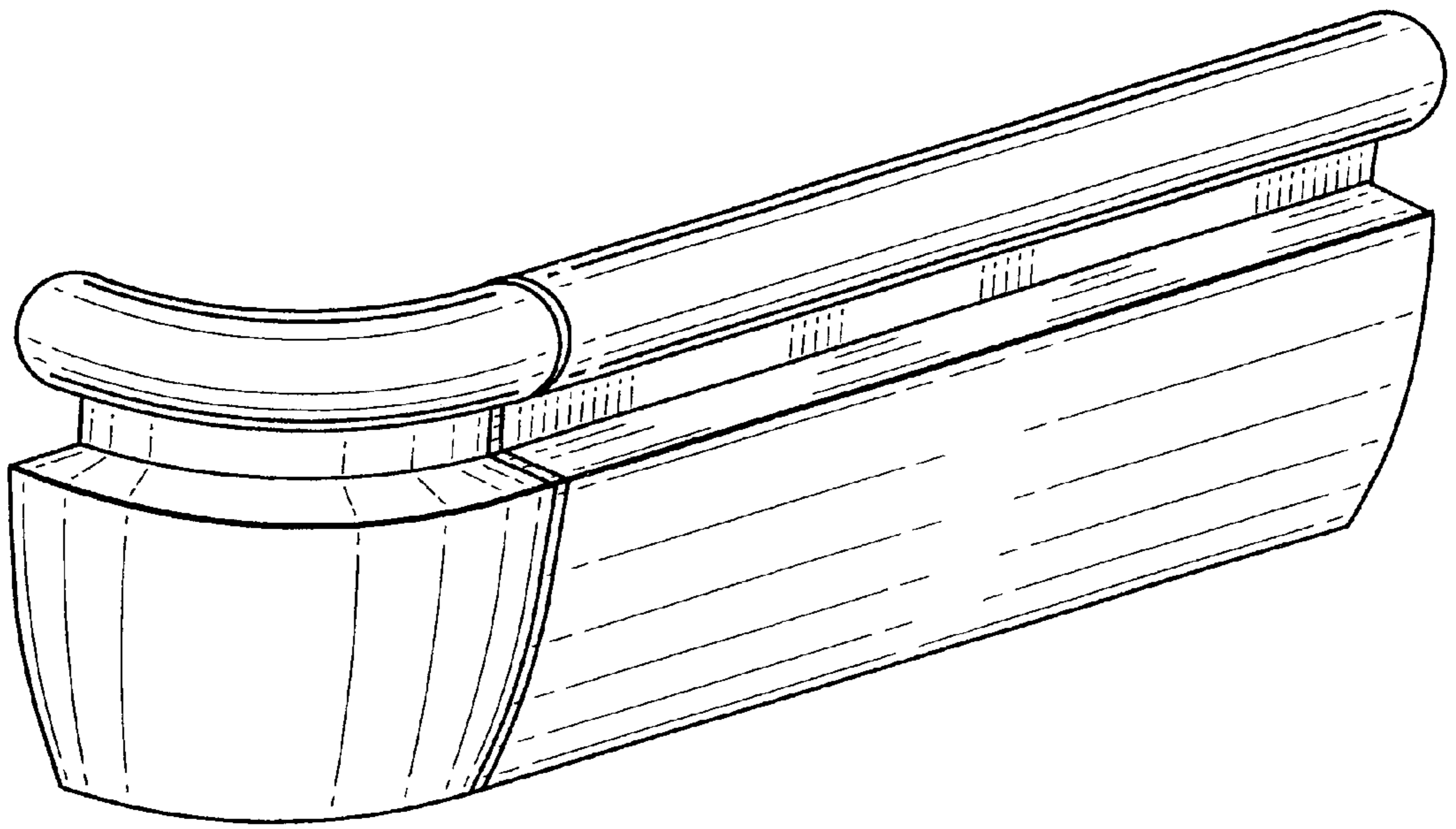


FIG. 5