



US00D480818S

(12) **United States Design Patent**  
**Ogawa et al.**

(10) **Patent No.: US D480,818 S**

(45) **Date of Patent: \*\* \*Oct. 14, 2003**

(54) **BLOCK FOR A FLOWERBED**

(76) Inventors: **Katsumasa Ogawa**, 3-2-22,Soja,  
Soja-shi,Okayama (JP); **Makiko Inoue**,  
4-11-13,Isobe,  
Mihama-ku,Chiba-shi,Chiba (JP)

(\* ) Notice: This patent is subject to a terminal disclaimer.

(\*\* ) Term: **14 Years**

(21) Appl. No.: **29/165,980**

(22) Filed: **Aug. 20, 2002**

(30) **Foreign Application Priority Data**

Apr. 16, 2002 (JP) ..... 2002-010216

(51) **LOC (7) Cl. .... 25-01**

(52) **U.S. Cl. .... D25/113**

(58) **Field of Search** ..... D25/112-118,  
D25/164; D21/484-486; 405/16, 284; 404/25,  
27-31, 34, 37-42; 52/102, 503-504, 574-576,  
600-602, 603-605, 606-607, 608-609

(56) **References Cited**

**U.S. PATENT DOCUMENTS**

- D207,445 S \* 4/1967 Treakle ..... D25/112
- 5,003,746 A \* 4/1991 Wilston ..... 52/608 X
- D343,908 S \* 2/1994 Naether ..... D25/113
- D365,643 S \* 12/1995 Wilhelm ..... D25/113

- D397,802 S \* 9/1998 Terry ..... D25/113
- D404,147 S \* 1/1999 Woolford ..... D25/113
- D425,213 S \* 5/2000 Ogawa et al. .... D25/113
- D427,324 S \* 6/2000 Ogawa et al. .... D25/113
- D461,912 S \* 8/2002 Ogawa ..... D25/113
- D461,913 S \* 8/2002 Ogawa ..... D25/113

\* cited by examiner

*Primary Examiner*—Louis S. Zarfaz  
*Assistant Examiner*—Robert A. Delehanty  
(74) *Attorney, Agent, or Firm*—Flynn, Thiel, Boutell & Tanis, P.C.

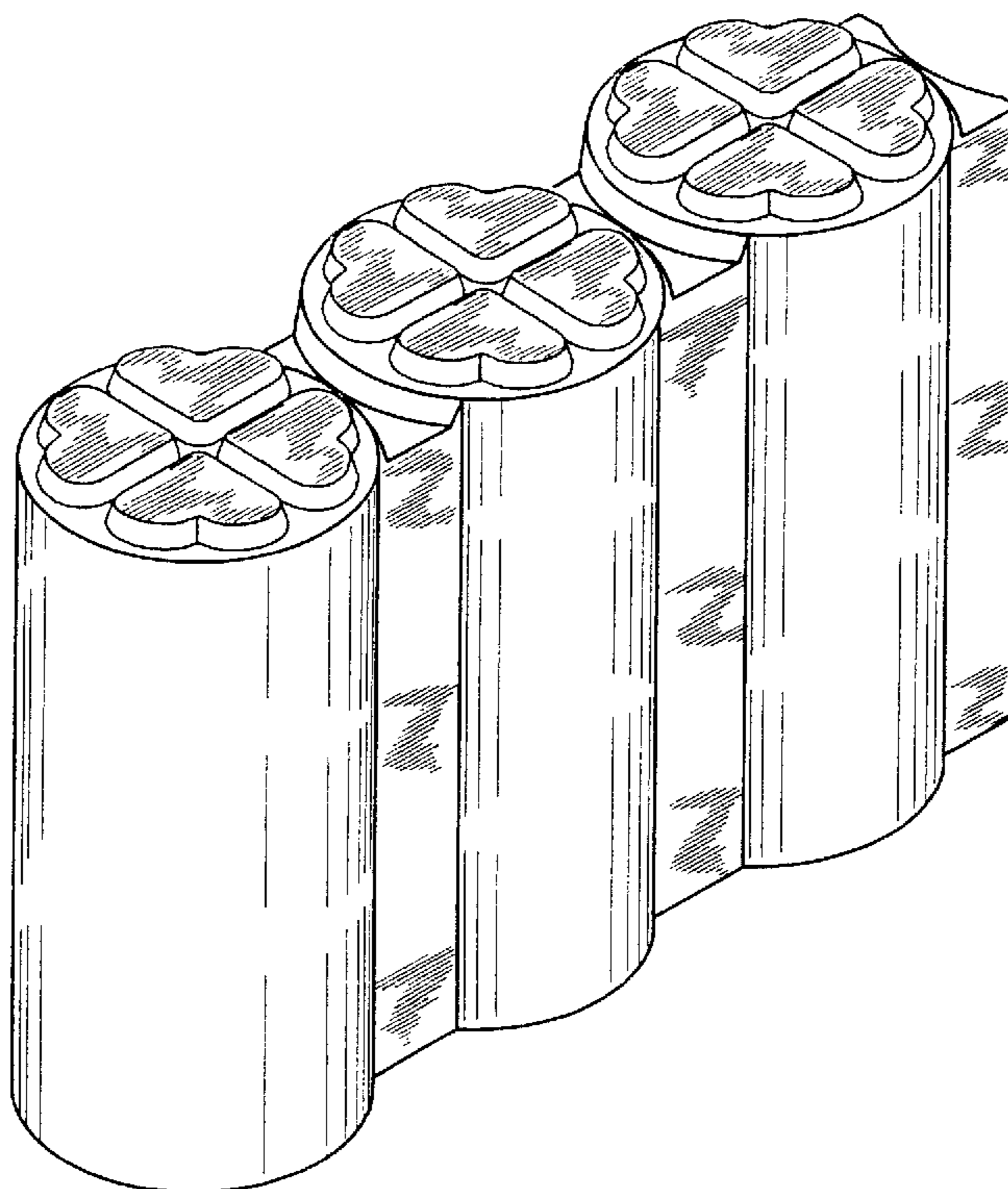
(57) **CLAIM**

The ornamental design for a block for a flowerbed, as shown and described.

**DESCRIPTION**

FIG. 1 is a front elevational view of a block for a flowerbed showing our new design, the rear elevational view thereof being a mirror image and symmetrical to the front elevational view thereof;  
FIG. 2 is a top plan view thereof;  
FIG. 3 is a bottom plan view thereof;  
FIG. 4 is a right side elevational view thereof;  
FIG. 5 is a left side elevational view thereof;  
FIG. 6 is a sectional view taken along line 6—6 of FIG. 2; and,  
FIG. 7 is a perspective view of the block for a flowerbed.

**1 Claim, 4 Drawing Sheets**



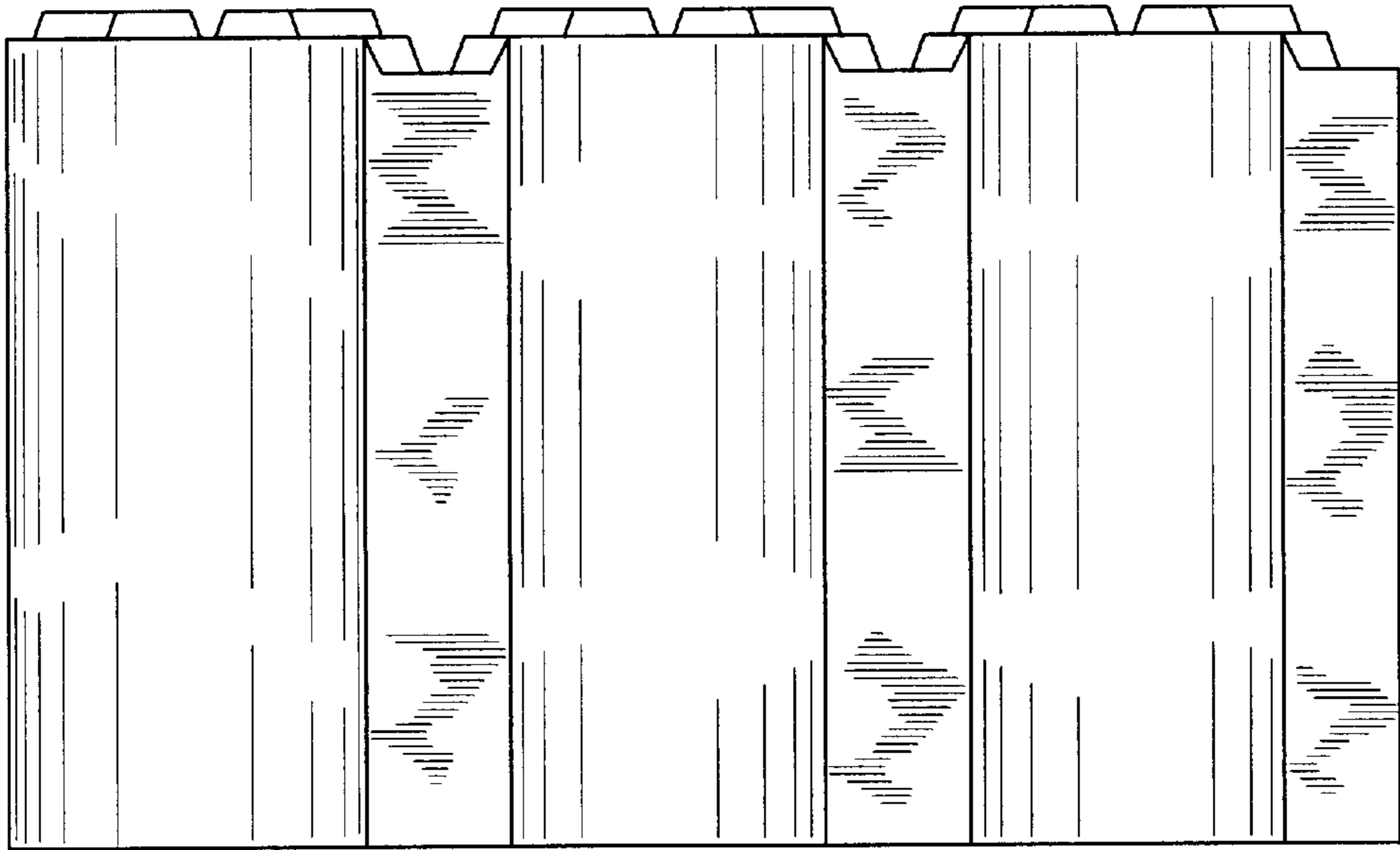


FIG. 1

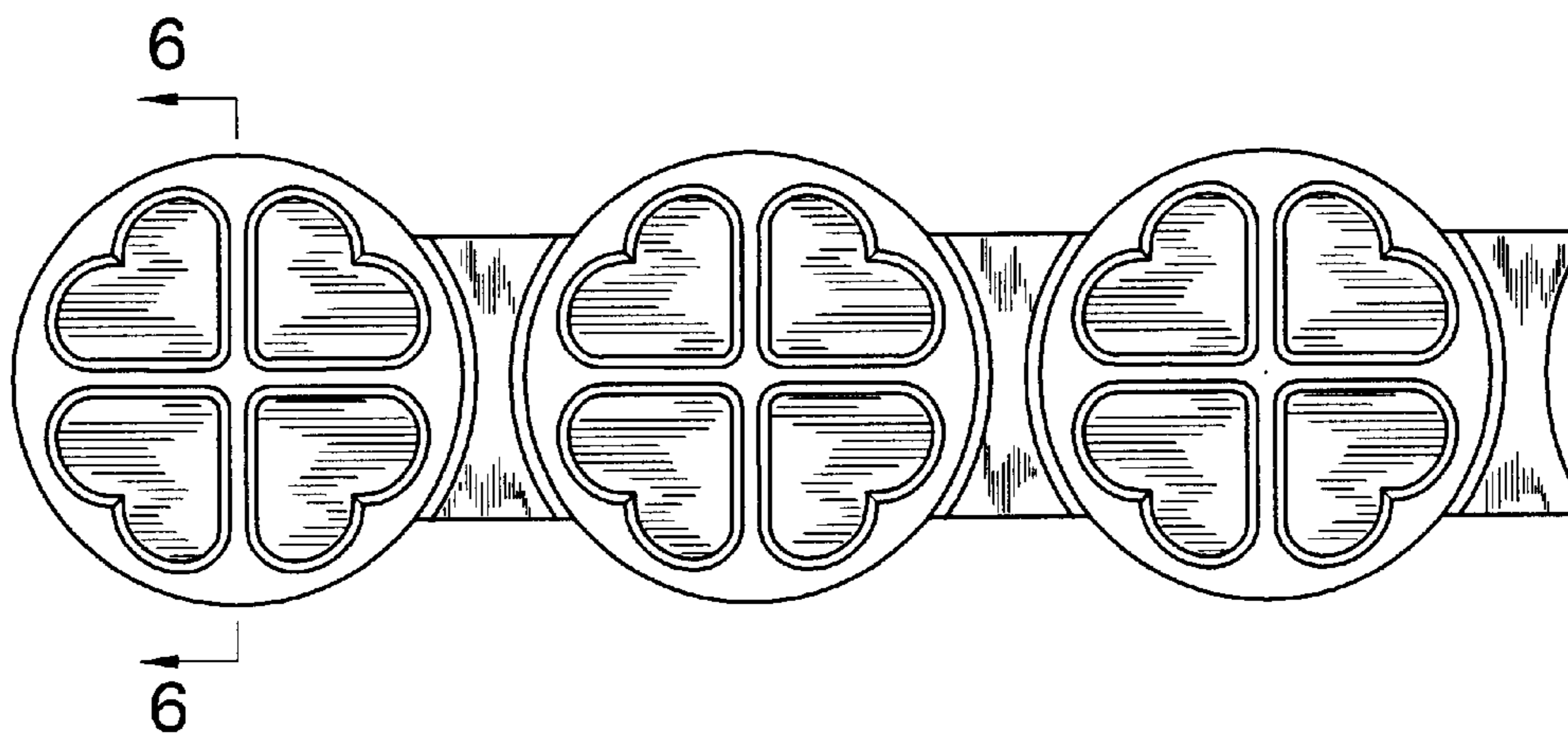


FIG. 2

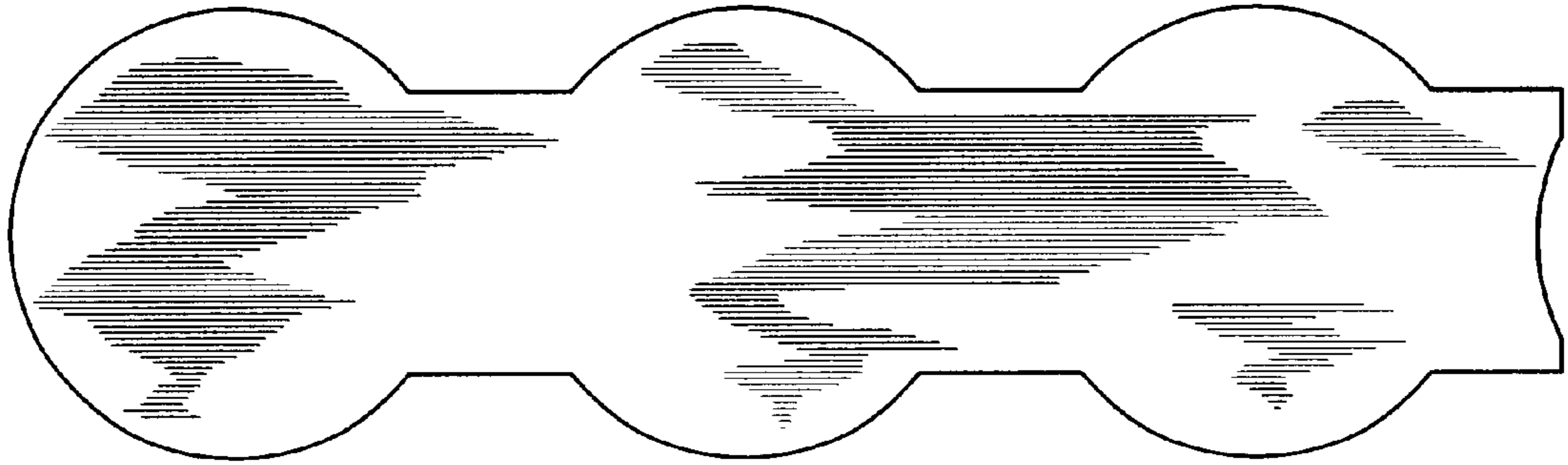


FIG. 3



FIG. 4

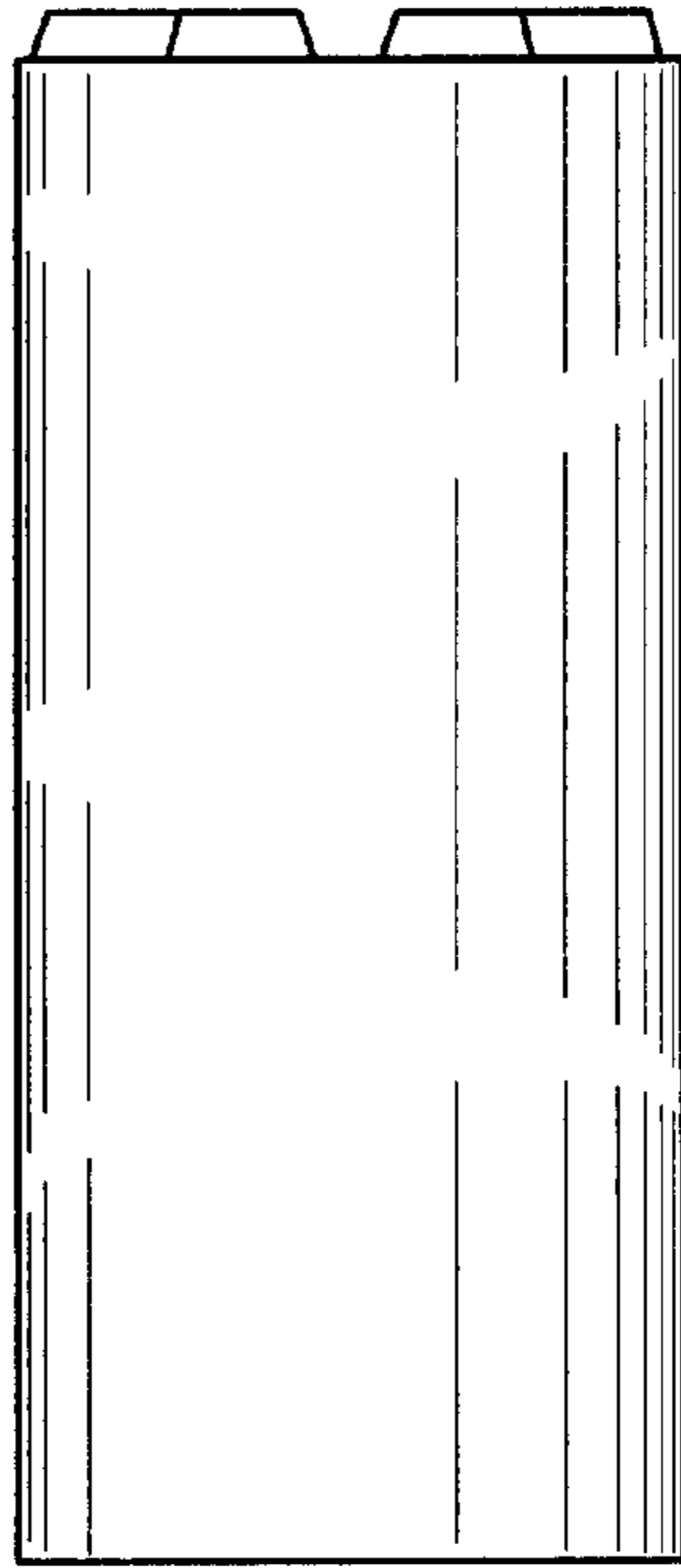


FIG. 5

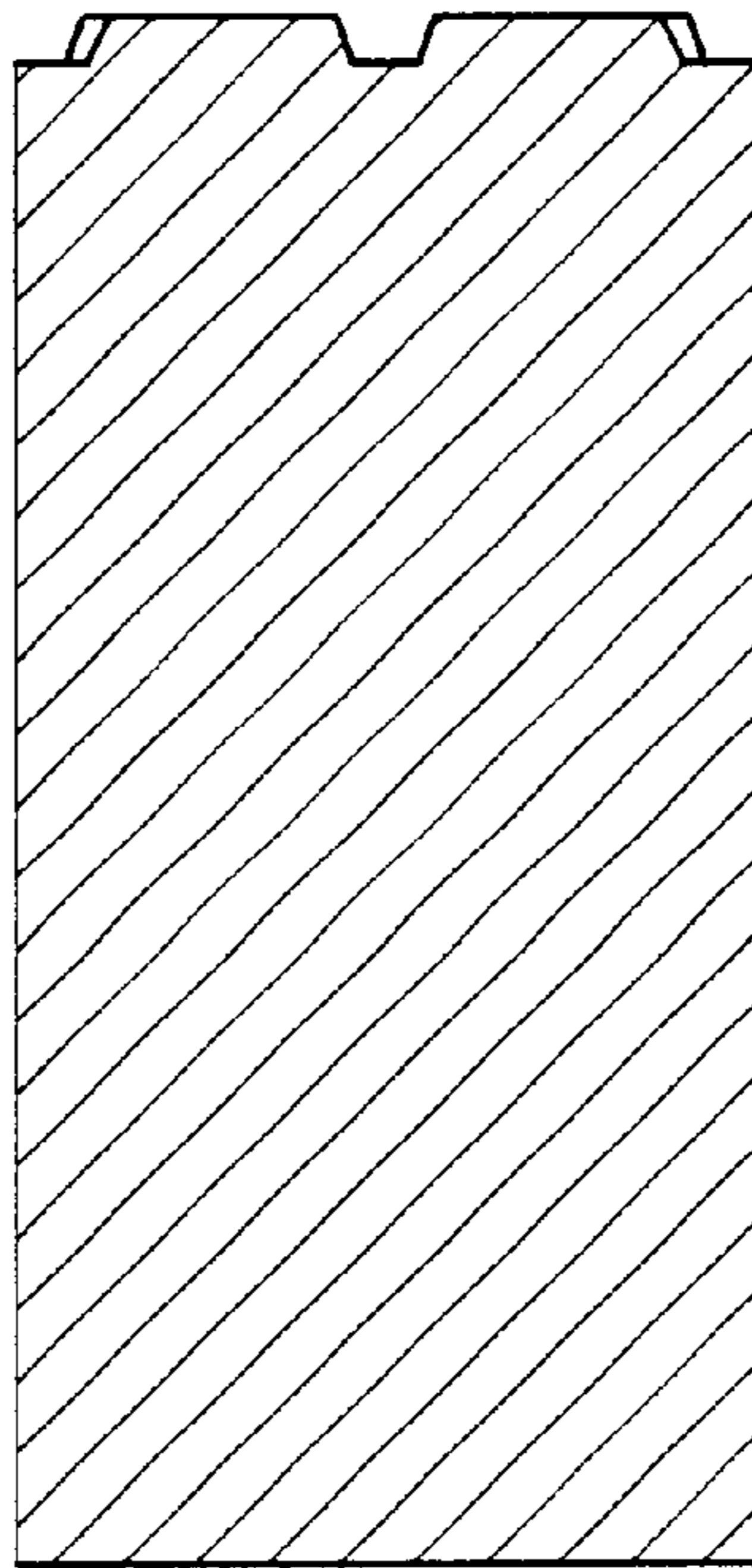


FIG. 6

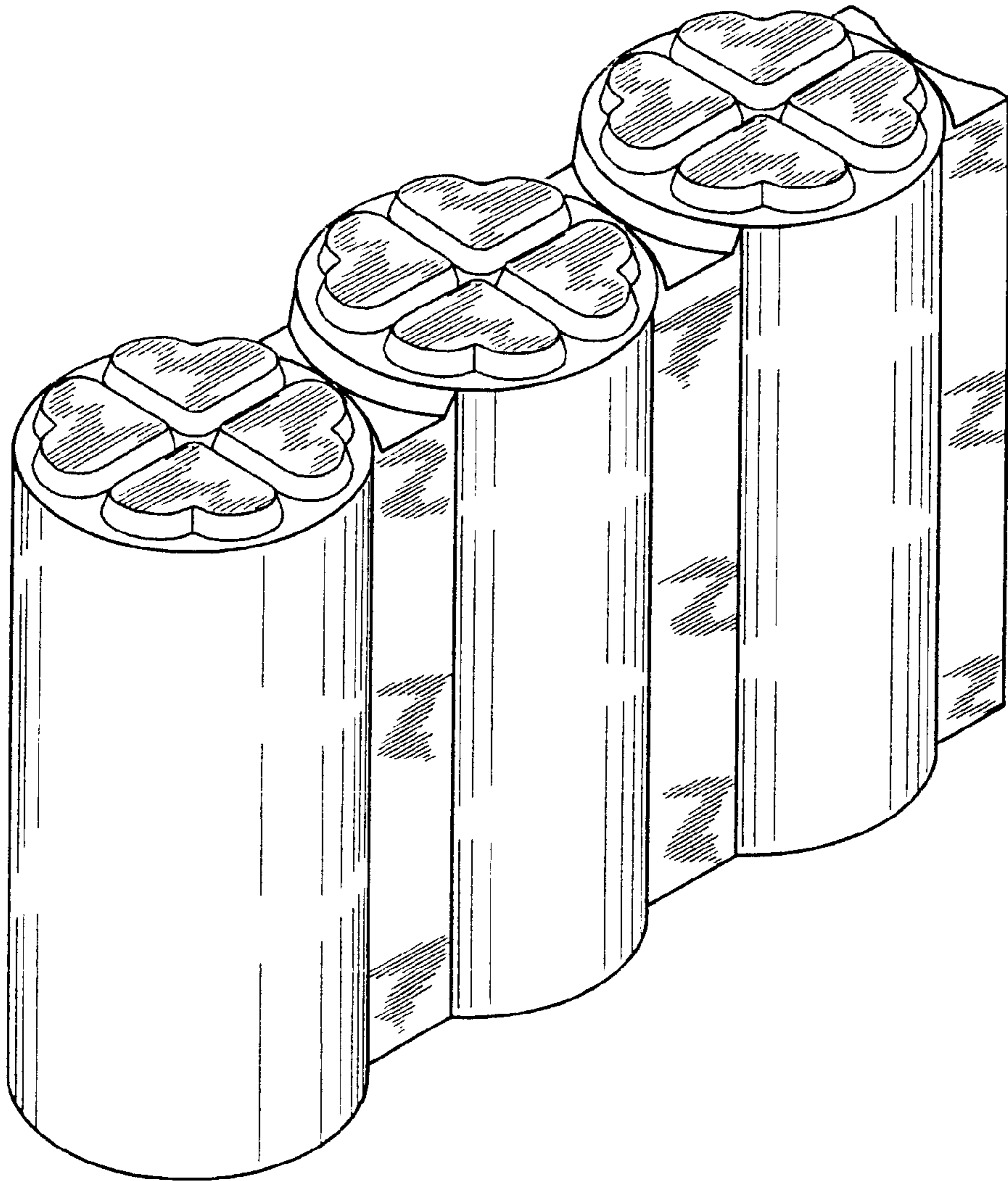


FIG. 7