



US00D480810S

(12) **United States Design Patent**
Gumisawa

(10) **Patent No.:** **US D480,810 S**
(45) **Date of Patent:** **** Oct. 14, 2003**

(54) **ULTRASONIC DIAGNOSIS APPARATUS**

FOREIGN PATENT DOCUMENTS

(75) Inventor: **Takashi Gumisawa**, Suginami-ku (JP)

CH	01325141.4	12/2001
JP	929542	7/1995
JP	952515	4/1996
JP	1033863	3/1999
JP	1055029	11/1999
JP	1068332	4/2000
JP	1124422	10/2001

(73) Assignee: **Kabushiki Kaisha Toshiba** (JP)

(**) Term: **14 Years**

(21) Appl. No.: **29/174,247**

(22) Filed: **Jan. 15, 2003**

(30) **Foreign Application Priority Data**

Aug. 7, 2002 (JP) 2002-021165

(51) **LOC (7) Cl.** **24-01**

(52) **U.S. Cl.** **D24/158**

(58) **Field of Search** D24/160; 128/660.01,
128/660.02, 660.03, 660.07, 653

(56) **References Cited**

U.S. PATENT DOCUMENTS

D285,484 S	*	9/1986	LaCelle et al.	D24/160
D300,241 S	*	3/1989	LaCelle et al.	D24/160
5,129,397 A	*	7/1992	Jingu et al.	600/437
D354,353 S	*	1/1995	Ishizuka et al.	D24/160
D365,148 S	*	12/1995	Murakami et al.	D24/160
D368,521 S	*	4/1996	Asai et al.	D24/160
D398,059 S	*	9/1998	Kwak	D24/160

* cited by examiner

Primary Examiner—Stella Reid

(74) *Attorney, Agent, or Firm*—Banner & Witcoff, Ltd.

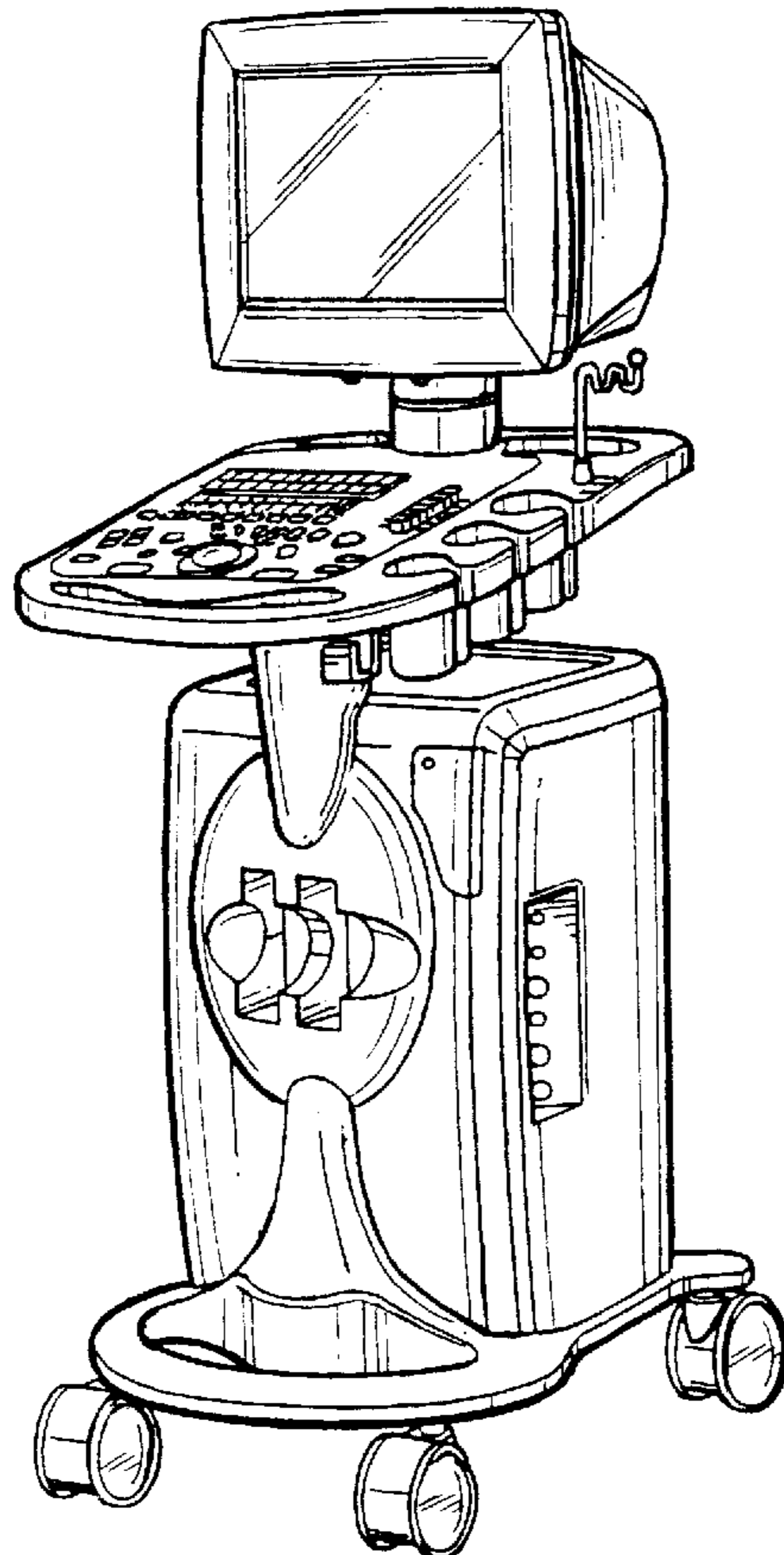
(57) **CLAIM**

The ornamental design for an ultrasonic diagnosis apparatus, as shown and described.

DESCRIPTION

FIG. 1 is a front, top and right side perspective view of a ultrasonic diagnosis apparatus, showing my new design; FIG. 2 is a rear, top and left side perspective view thereof; FIG. 3 is a front elevational view thereof; FIG. 4 is a rear elevational view thereof; FIG. 5 is a top plan view thereof; FIG. 6 is a bottom plan view thereof; FIG. 7 is a left side elevational view thereof; and, FIG. 8 is a right side elevational view thereof.

1 Claim, 3 Drawing Sheets



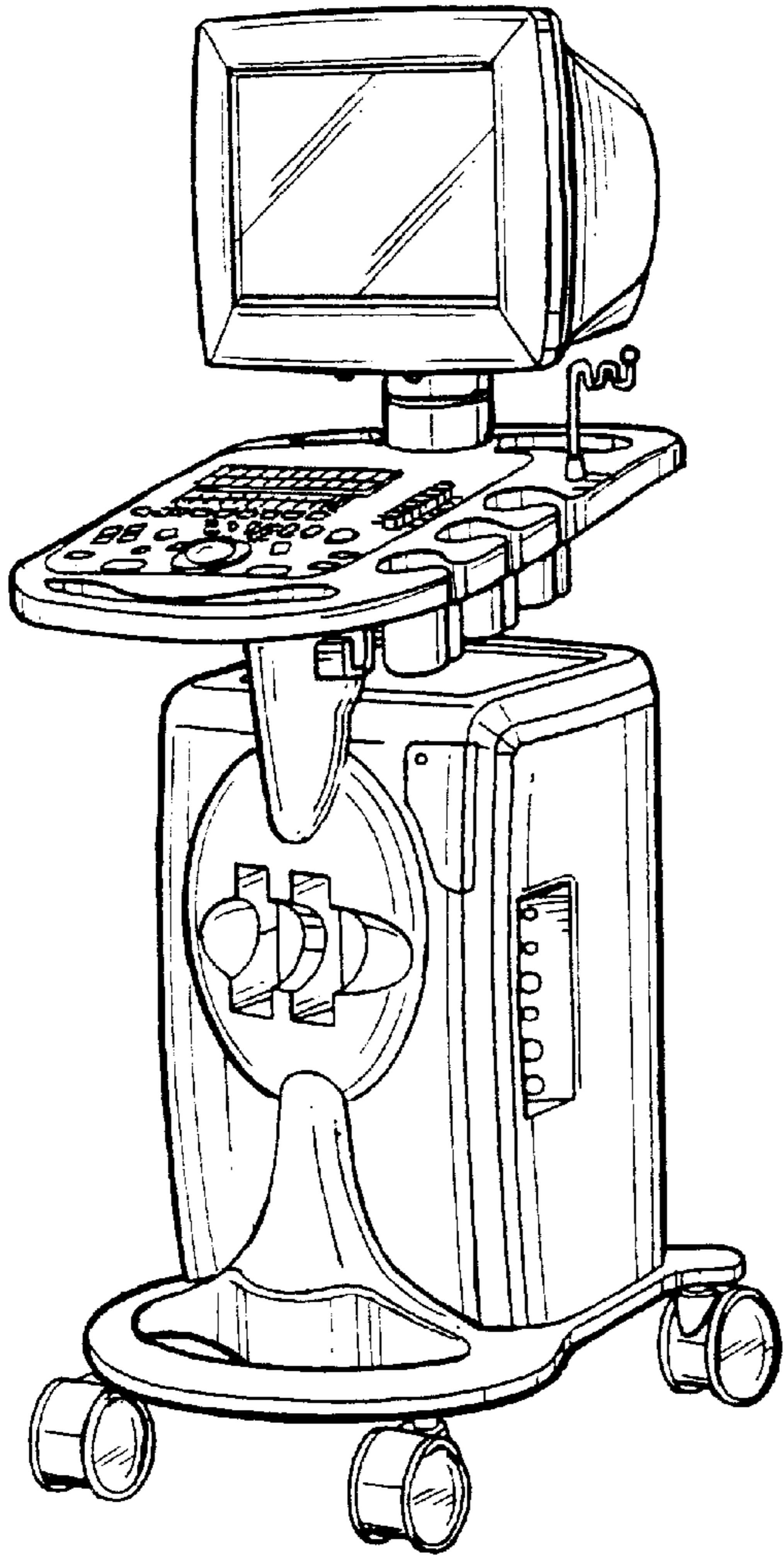


Fig.1

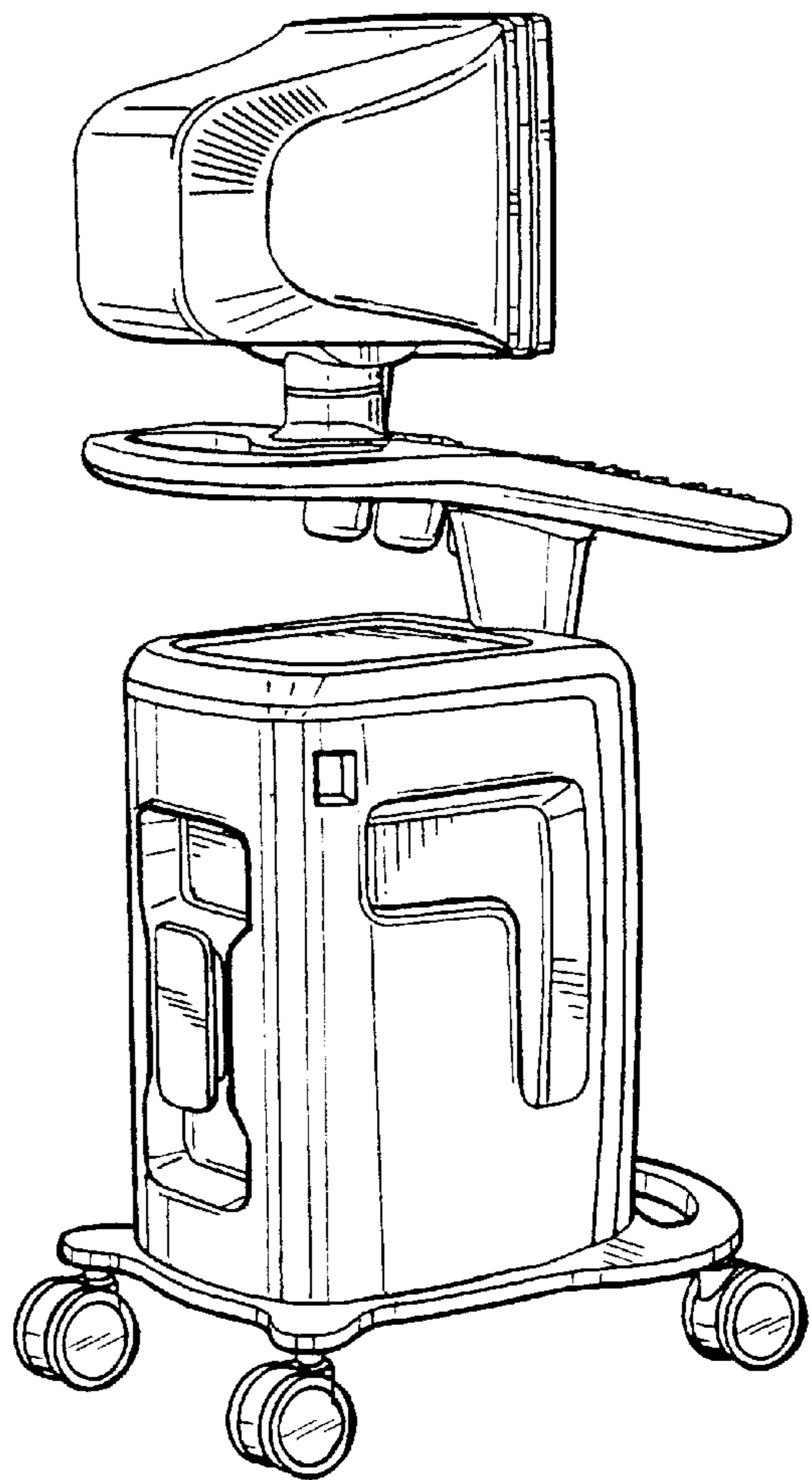


Fig.2

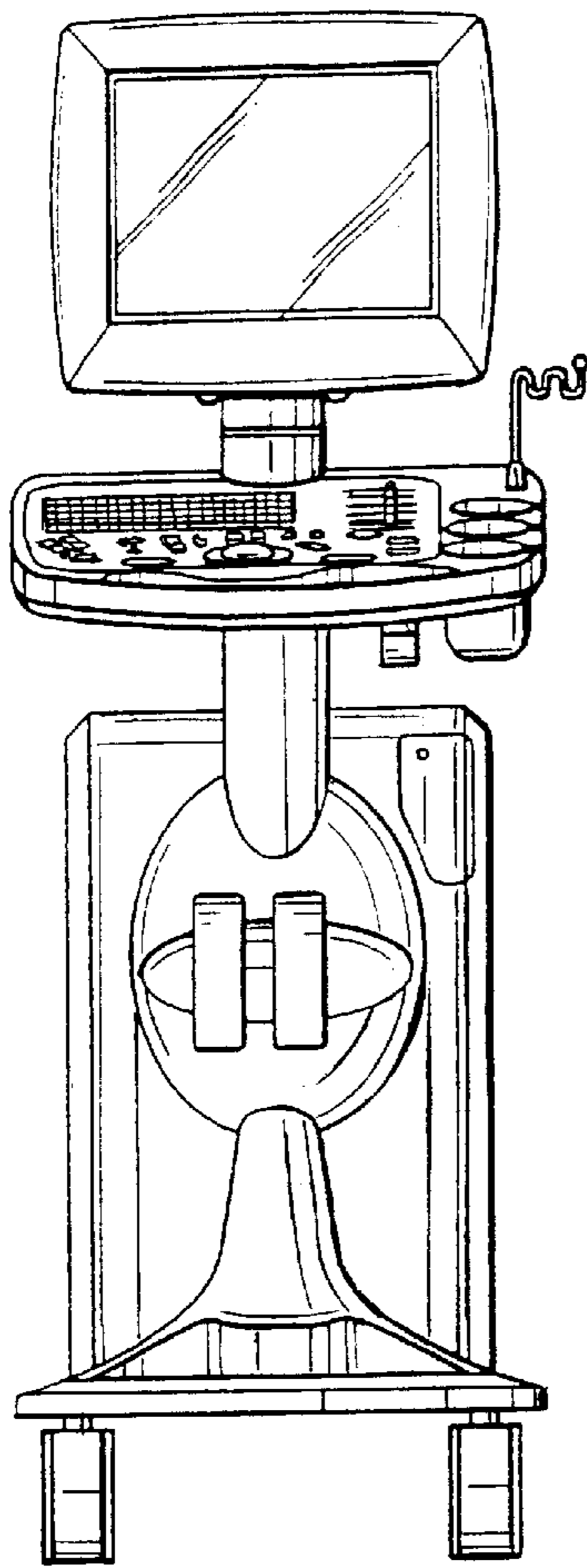


Fig.3

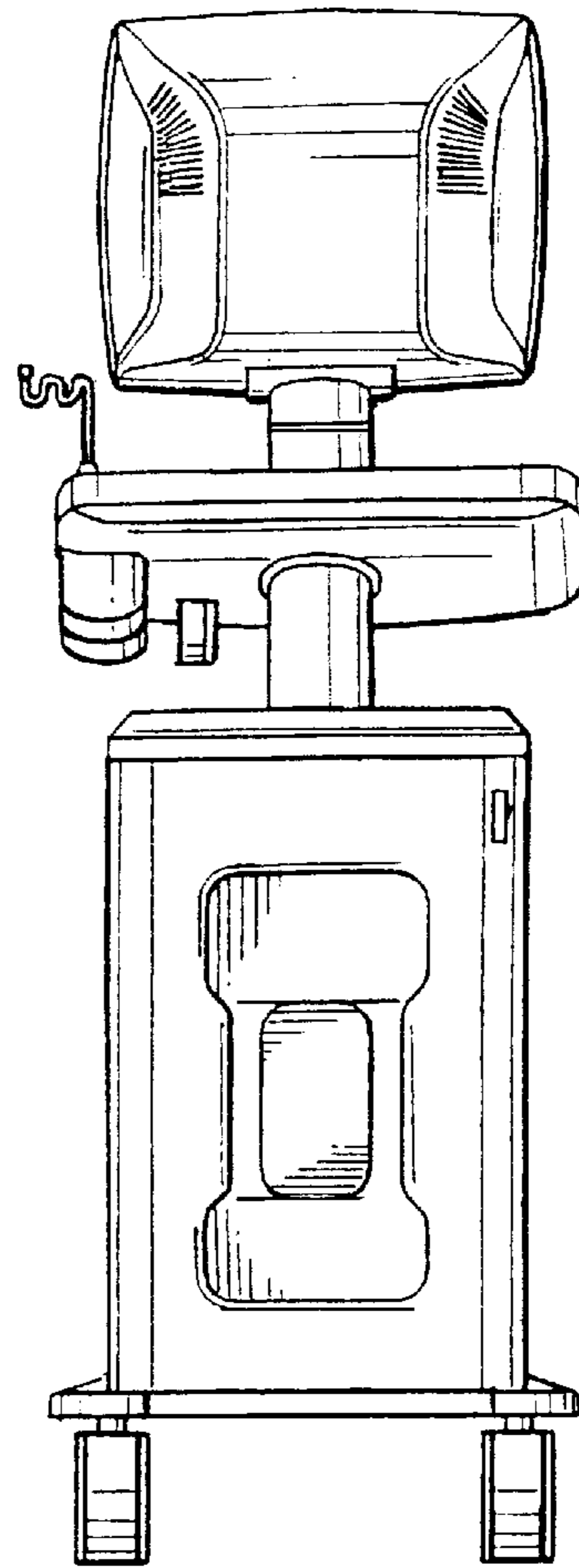


Fig.4

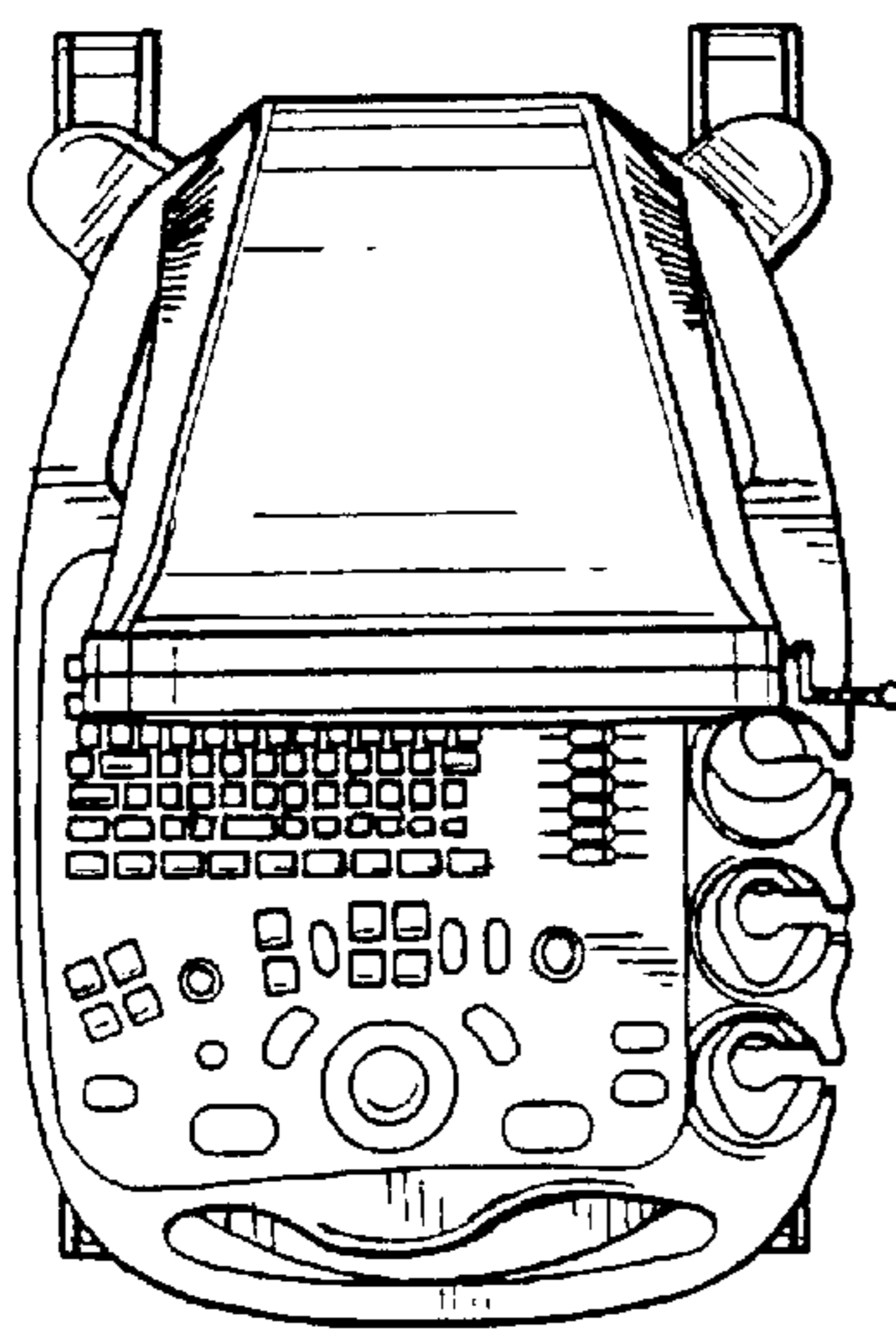


Fig.5

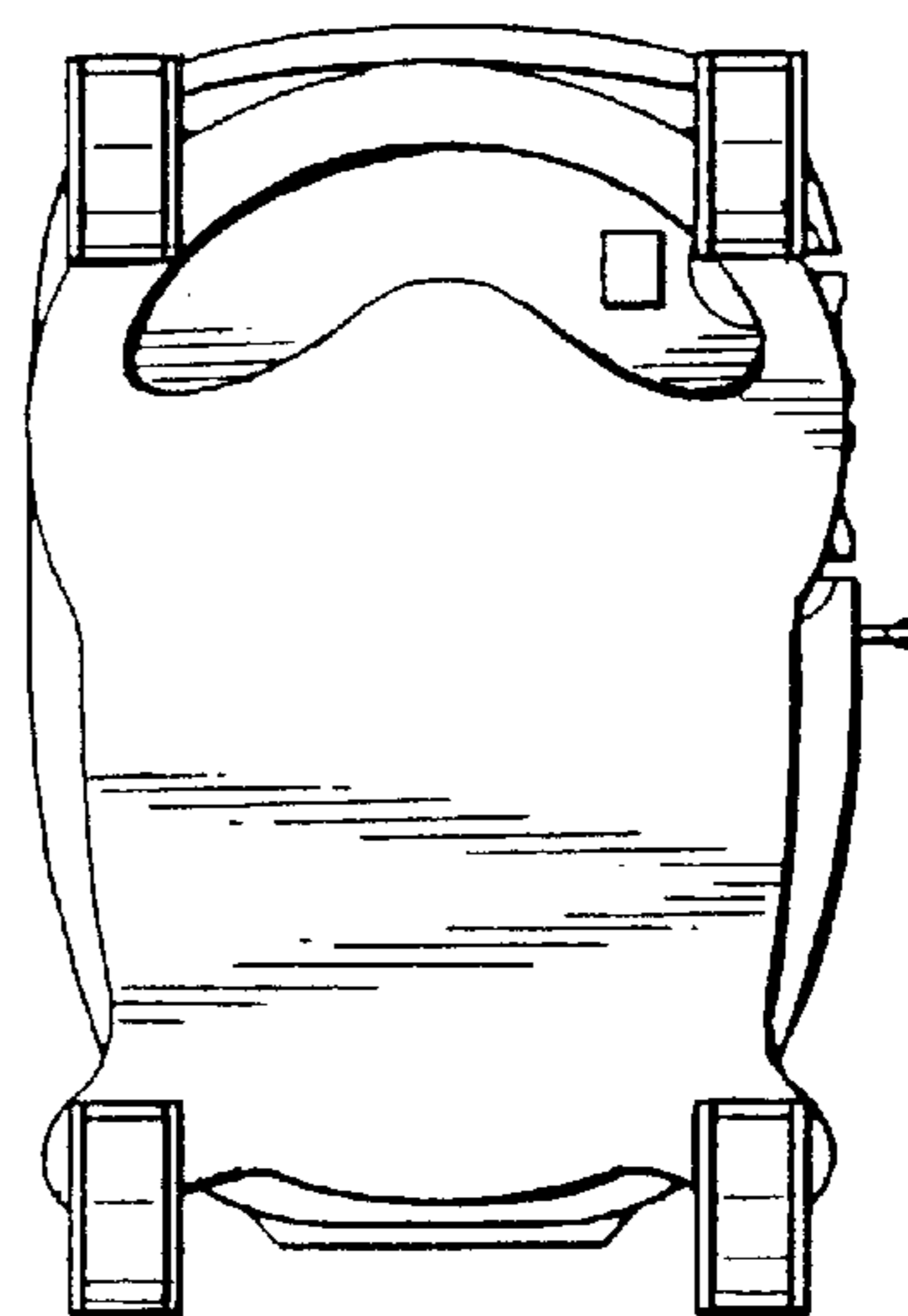


Fig.6

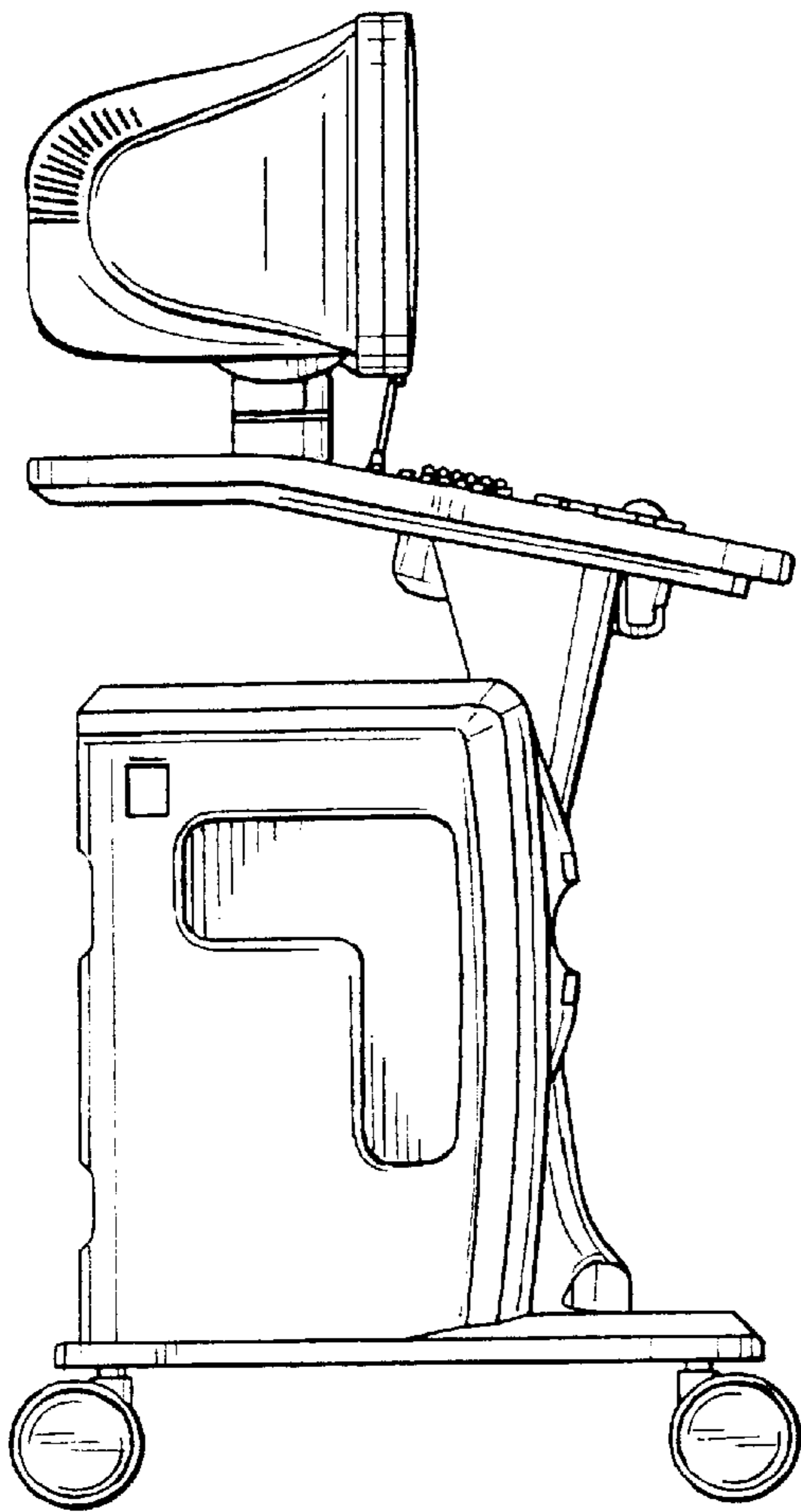


Fig.7

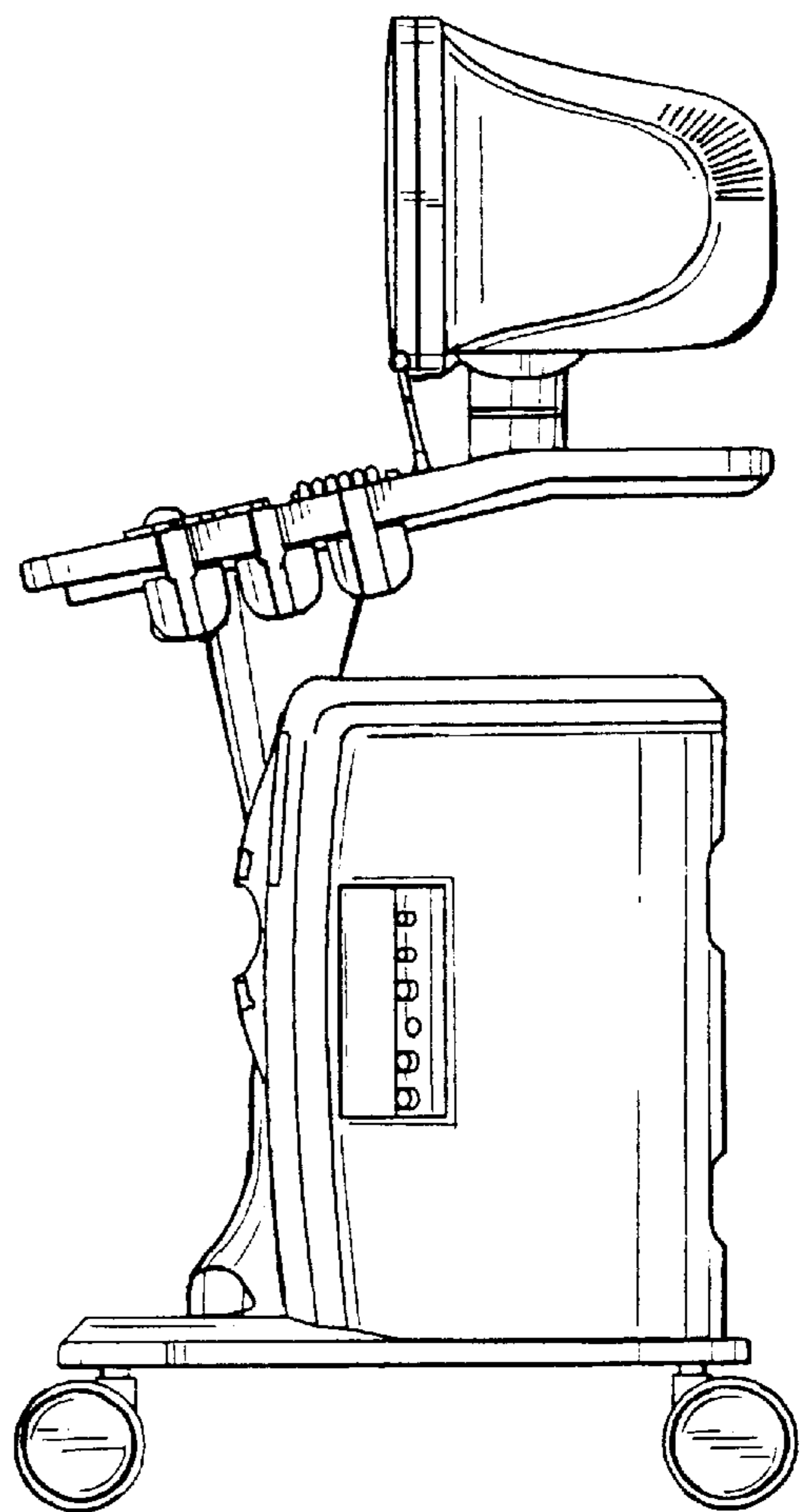


Fig.8