



US00D480808S

(12) **United States Design Patent**
Wells et al.

(10) **Patent No.:** **US D480,808 S**
(45) **Date of Patent:** **** Oct. 14, 2003**

(54) **SURGICAL FASTENER APPLYING APPARATUS**

(75) Inventors: **Timothy N. Wells**, Ridgefield, CT (US); **Csaba L. Rethy**, Fairfield, CT (US)

(73) Assignee: **Tyco Healthcare Group LP**, Norwalk, CT (US)

(**) Term: **14 Years**

(21) Appl. No.: **29/168,827**

(22) Filed: **Oct. 9, 2002**

Related U.S. Application Data

(63) Continuation of application No. 29/149,595, filed on Oct. 12, 2001, now abandoned.

(51) **LOC (7) Cl.** **24-02**

(52) **U.S. Cl.** **D24/145**

(58) **Field of Search** D24/145; 606/219, 606/215, 216, 222, 221; 227/901, 902, 175.1, 176.1, 177.1, 180.1, 181.1

(56) **References Cited**

U.S. PATENT DOCUMENTS

4,605,001 A	8/1986	Rothfuss et al.	
D285,836 S	* 9/1986	Hunt et al.	D24/145
4,608,981 A	9/1986	Rothfuss et al.	
4,633,861 A	1/1987	Chow et al.	
4,633,874 A	1/1987	Chow et al.	
4,869,415 A	9/1989	Fox	
4,991,764 A	2/1991	Mericle	
5,065,929 A	11/1991	Schulze et al.	
D322,143 S	* 12/1991	Spreckelmeier	D24/145
5,074,454 A	12/1991	Peters	
5,083,695 A	1/1992	Foslien et al.	
5,141,144 A	8/1992	Foslien et al.	
5,180,092 A	1/1993	Crainich	
5,263,629 A	11/1993	Trumbull et al.	
5,275,323 A	1/1994	Schulze et al.	
5,364,003 A	11/1994	Williamson, IV	
5,395,034 A	3/1995	Allen et al.	

5,415,334 A	5/1995	Williamson, IV et al.
5,415,335 A	5/1995	Knodell et al.
5,417,361 A	5/1995	Williamson, IV
5,531,744 A	7/1996	Nardella et al.
5,549,628 A	8/1996	Cooper et al.
5,575,803 A	11/1996	Cooper et al.
5,630,541 A	5/1997	Williamson, IV et al.
5,665,085 A	9/1997	Nardella
5,673,842 A	10/1997	Bittner et al.
5,702,409 A	12/1997	Rayburn et al.
5,769,892 A	6/1998	Kingwell
5,785,232 A	7/1998	Vidal et al.
5,810,855 A	9/1998	Rayburn et al.
5,871,135 A	2/1999	Williamson, IV et al.
5,878,938 A	3/1999	Bittner et al.
5,919,198 A	7/1999	Graves, Jr. et al.
6,099,551 A	8/2000	Gabbay
6,131,789 A	10/2000	Schulze et al.
6,325,710 B1	12/2001	Hamilton et al.

* cited by examiner

Primary Examiner—Ian Simmons

(57) **CLAIM**

The ornamental design for a surgical fastener applying apparatus, as shown and described.

DESCRIPTION

FIG. 1 is a perspective view of the surgical fastener applying apparatus according to the present design;

FIG. 2 is a side elevational view of the surgical fastener applying apparatus of FIG. 1;

FIG. 3 is a top plan view of the surgical fastener applying apparatus of FIG. 1;

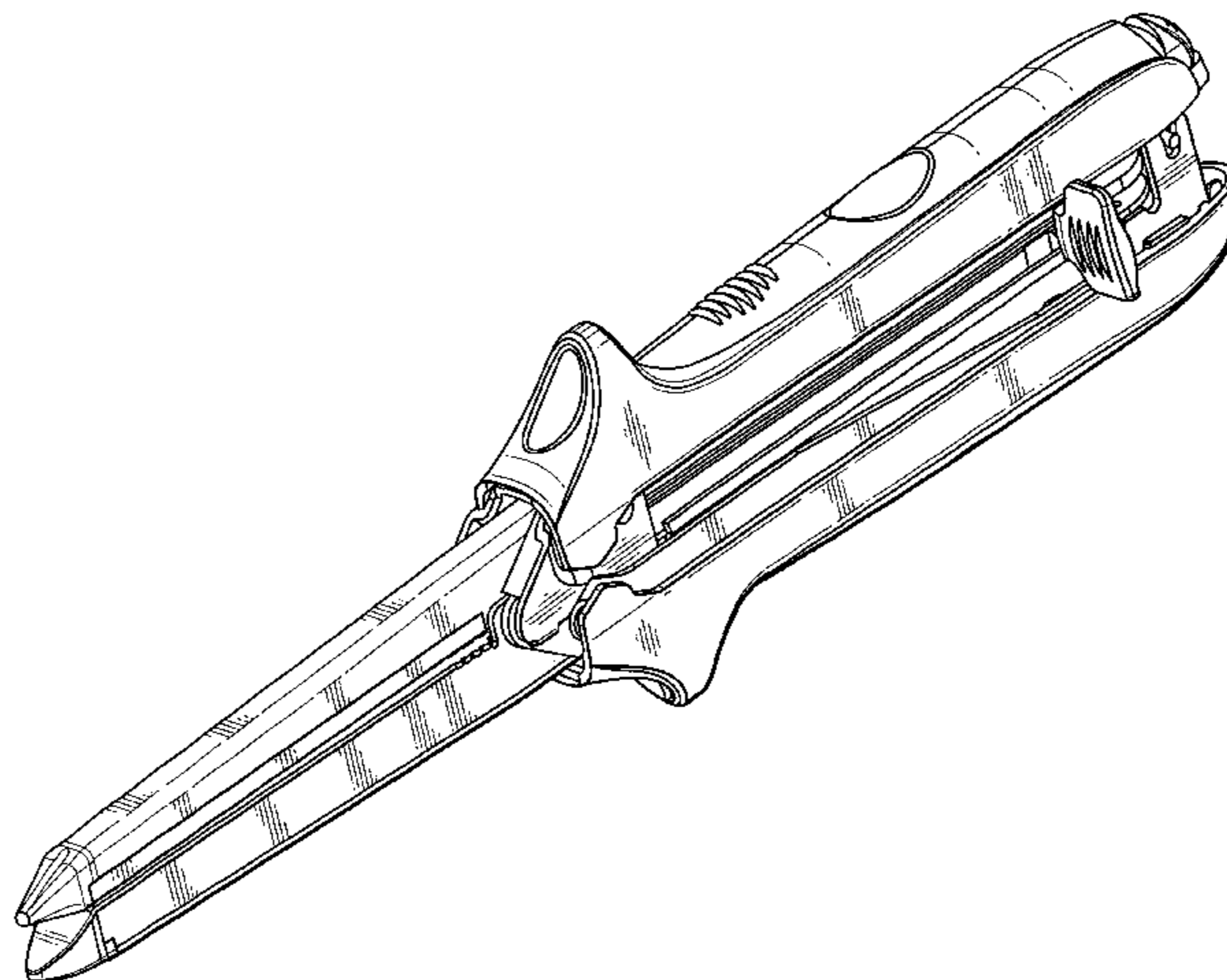
FIG. 4 is a side elevational view of the surgical fastener applying apparatus of FIG. 1, taken from a side opposite to that shown in FIG. 2;

FIG. 5 is a bottom plan view of the surgical fastener applying apparatus of FIG. 1;

FIG. 6 is a front elevational view of the surgical fastener applying apparatus of FIG. 1; and,

FIG. 7 is a rear elevational view of the surgical fastener applying apparatus of FIG. 1.

1 Claim, 4 Drawing Sheets



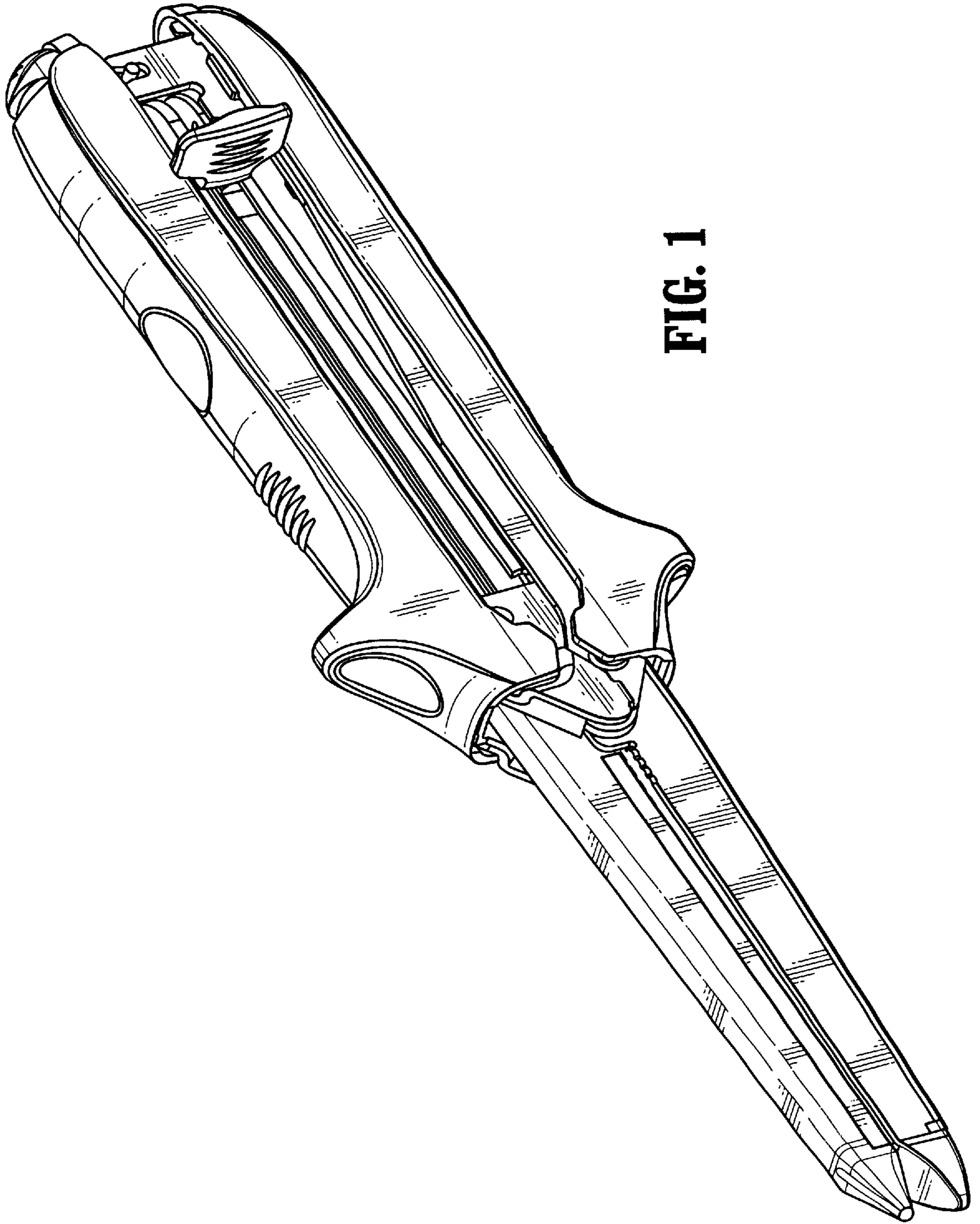


FIG. 1

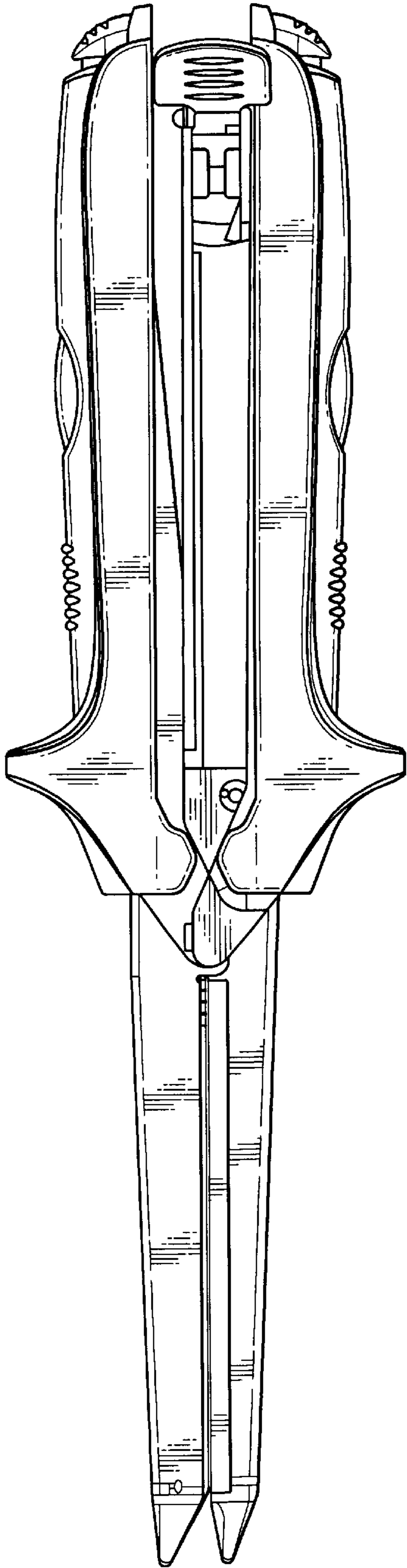


FIG. 2

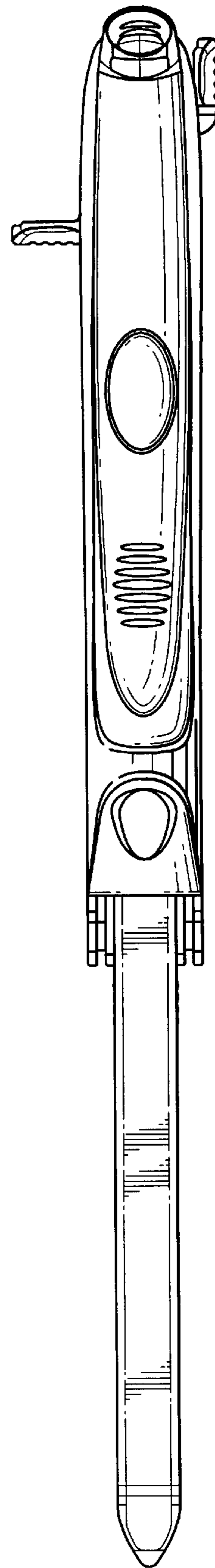


FIG. 3

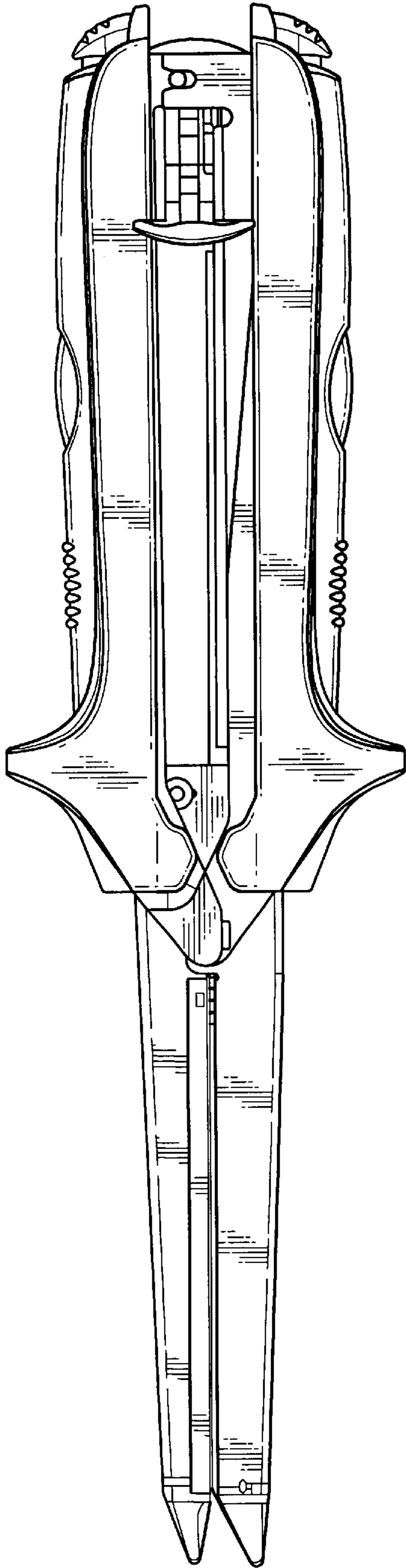


FIG. 4

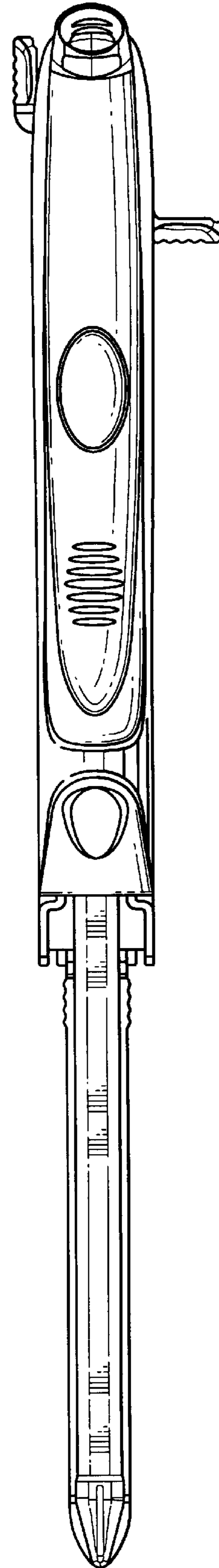


FIG. 5

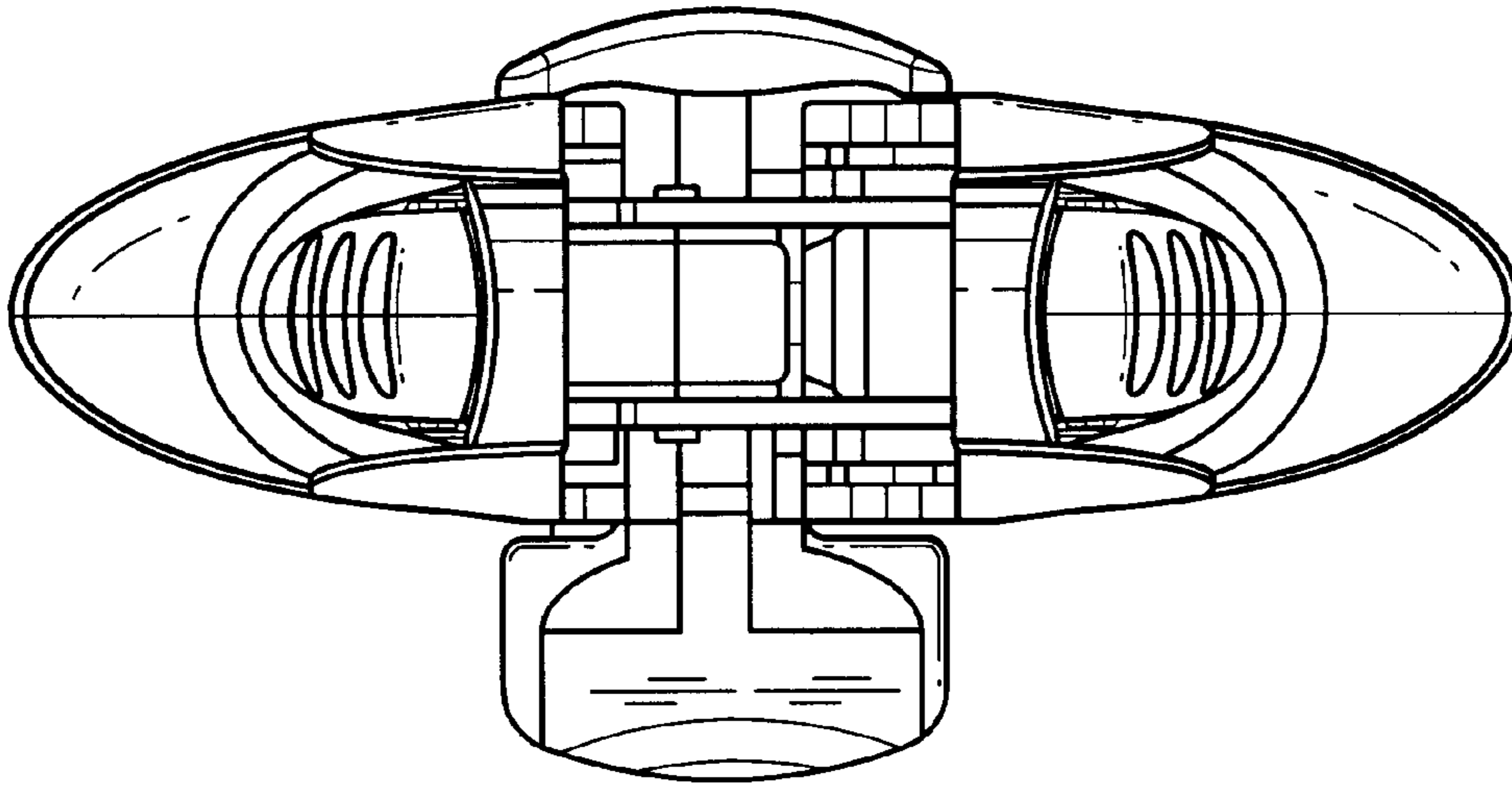


FIG. 7

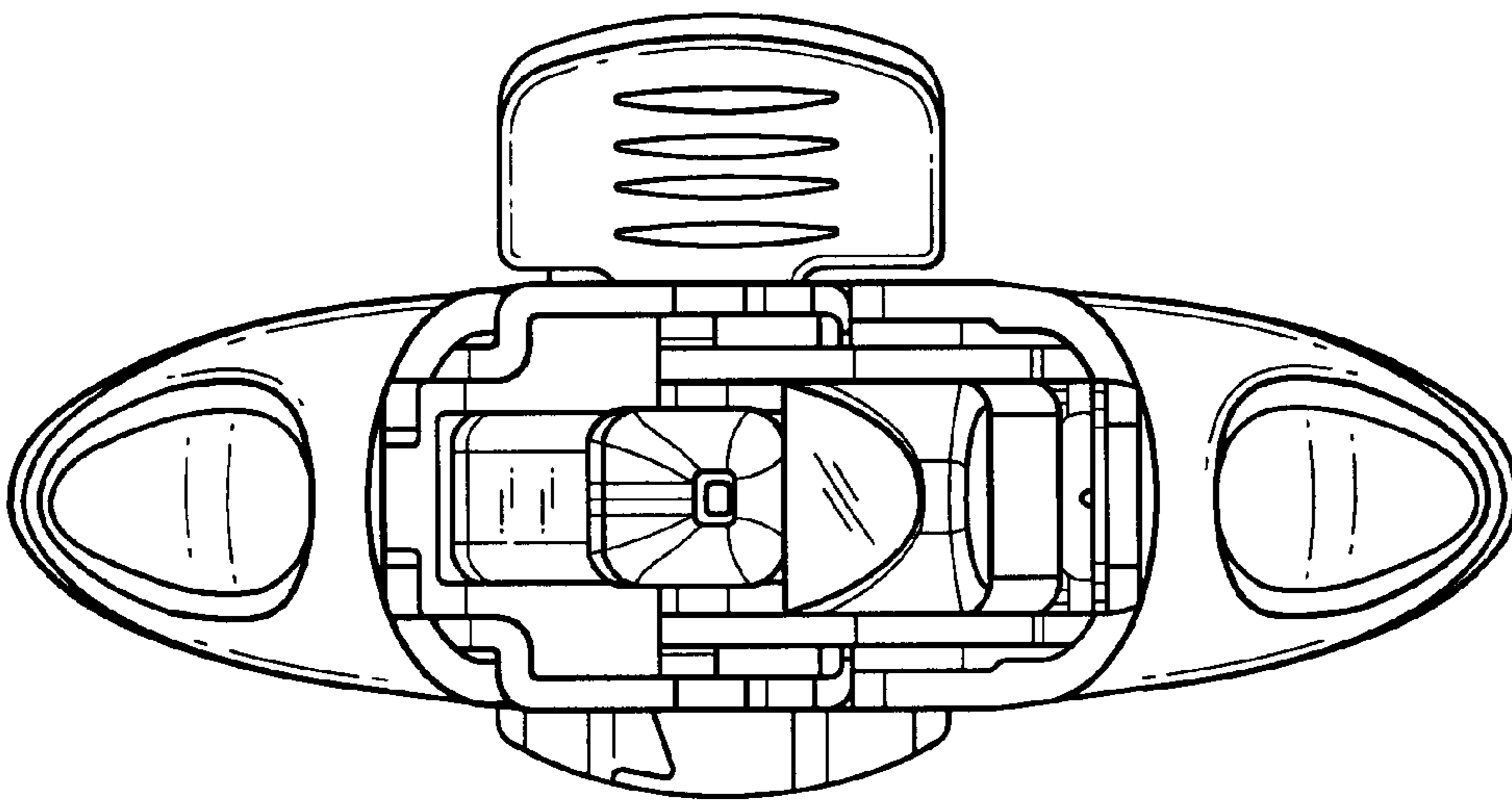


FIG. 6