



US00D480807S

(12) **United States Design Patent**
Yardan et al.

(10) **Patent No.:** **US D480,807 S**

(45) **Date of Patent:** **** Oct. 14, 2003**

(54) **CONTROL HANDLE FOR A MEDICAL DEVICE USED WITH AN ENDOSCOPE**

(75) **Inventors:** **Steven J. Yardan**, Branford, CT (US); **Christopher T. Zirps**, Sharon, MA (US); **Timothy R. Membrino**, Acton, MA (US); **David J. Copeland**, Milton, MA (US); **Sean J. Silva**, Reading, MA (US); **Eric Mears**, South Bristol, ME (US)

(73) **Assignee:** **C. R. Bard, Inc.**, Murray Hill, NJ (US)

(**) **Term:** **14 Years**

(21) **Appl. No.:** **29/166,963**

(22) **Filed:** **Sep. 6, 2002**

(51) **LOC (7) Cl.** **24-02**

(52) **U.S. Cl.** **D24/138; D24/133; D24/147**

(58) **Field of Search** **D24/138, 137, D24/133, 145, 147, 146; D8/300, 302, 303; 606/170, 1, 139, 167, 140, 144**

(56) **References Cited**

U.S. PATENT DOCUMENTS

5,275,151 A	1/1994	Shockey et al.	
D344,334 S	* 2/1994	Dulebohn et al. D24/133
5,325,746 A	7/1994	Anderson	
5,382,254 A	1/1995	McGarry et al.	
5,383,875 A	1/1995	Bays et al.	
5,409,478 A	4/1995	Gerry et al.	

5,470,328 A	11/1995	Furnish et al.	
5,498,256 A	3/1996	Furnish	
5,601,568 A	2/1997	Chevillon et al.	
D378,611 S	* 3/1997	Croley D24/144
5,624,431 A	4/1997	Gerry et al.	
D383,539 S	9/1997	Croley	
D385,350 S	10/1997	Furnish	
5,690,645 A	11/1997	Van Erp	
5,725,536 A	* 3/1998	Oberlin et al. 606/139
5,993,384 A	11/1999	Lunsford et al.	
D459,474 S	* 6/2002	Bratt et al. D24/133
2001/0027312 A1	10/2001	Bacher et al.	

* cited by examiner

Primary Examiner—Ian Simmons

(74) *Attorney, Agent, or Firm*—Kirkpatrick & Lockhart LLP

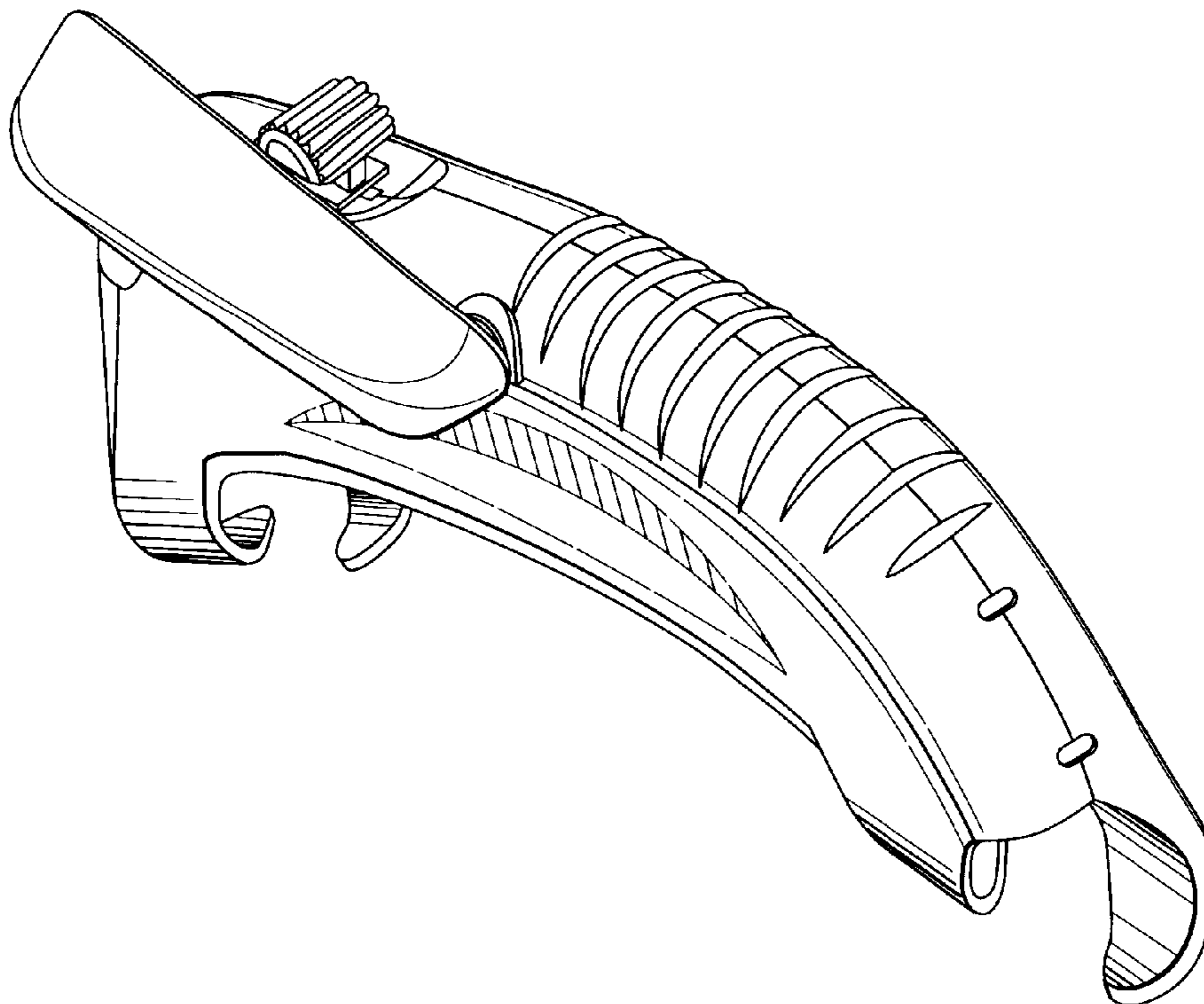
(57) **CLAIM**

We claim the ornamental design for a control handle for a medical device used with an endoscope, as shown and described.

DESCRIPTION

FIG. 1 is an isometric view of the handle; FIG. 2 is a side view of the handle; FIG. 3 is a side view of the handle; FIG. 4 is a bottom view of the handle; FIG. 5 is a top view of the handle; FIG. 6 is a front view of the handle; and, FIG. 7 is a rear view of the handle.

1 Claim, 4 Drawing Sheets



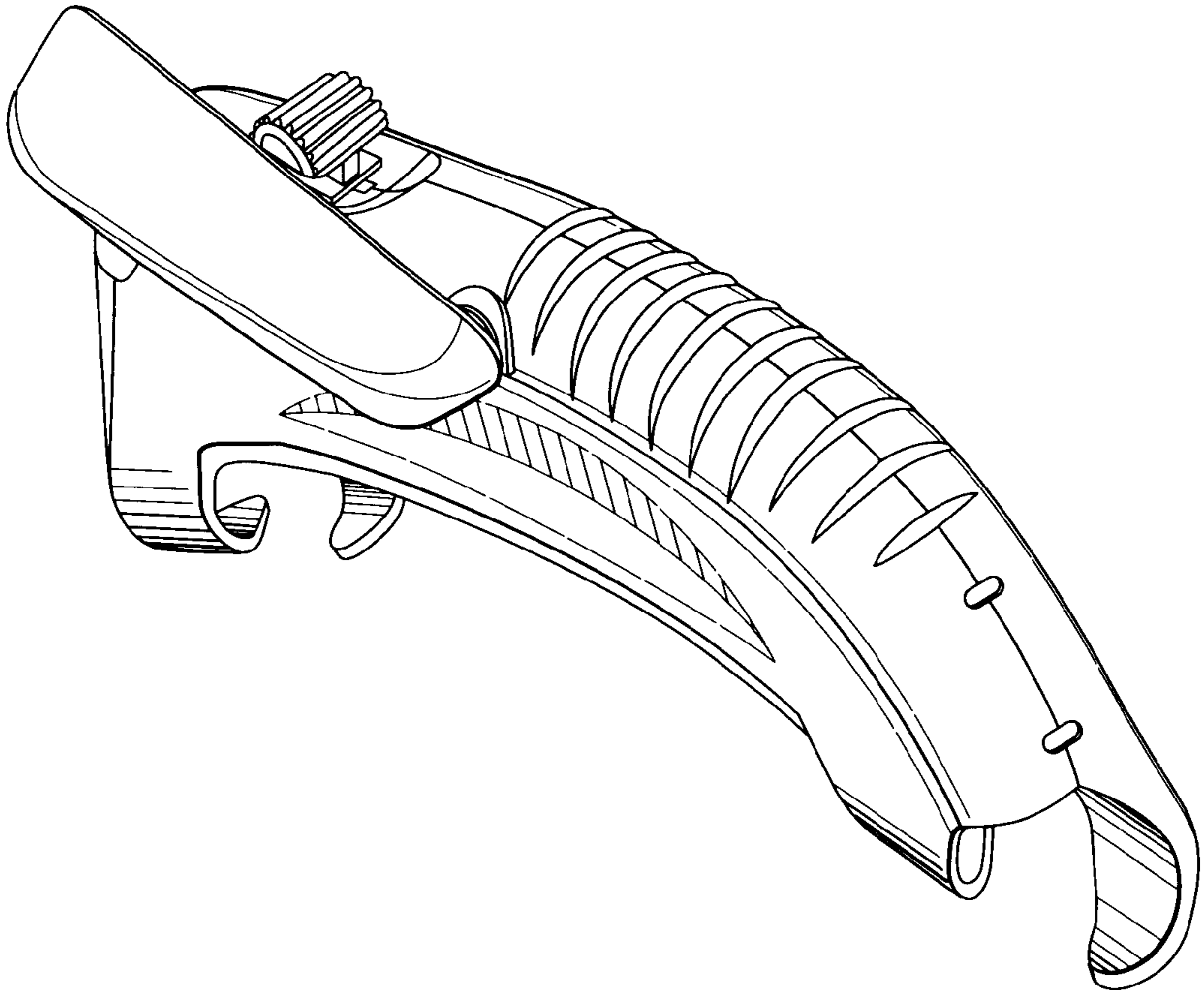


Fig. 1

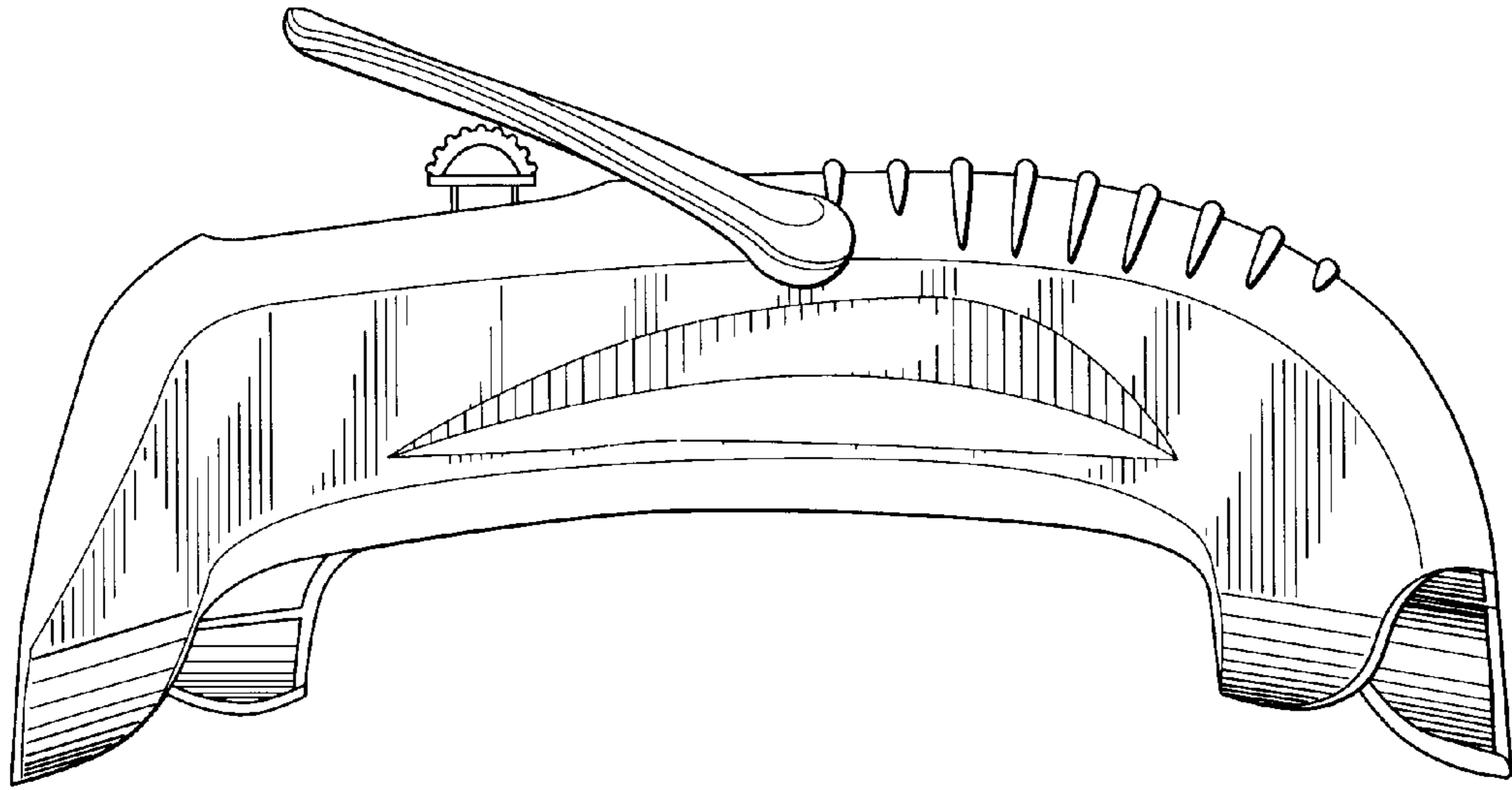


Fig. 2

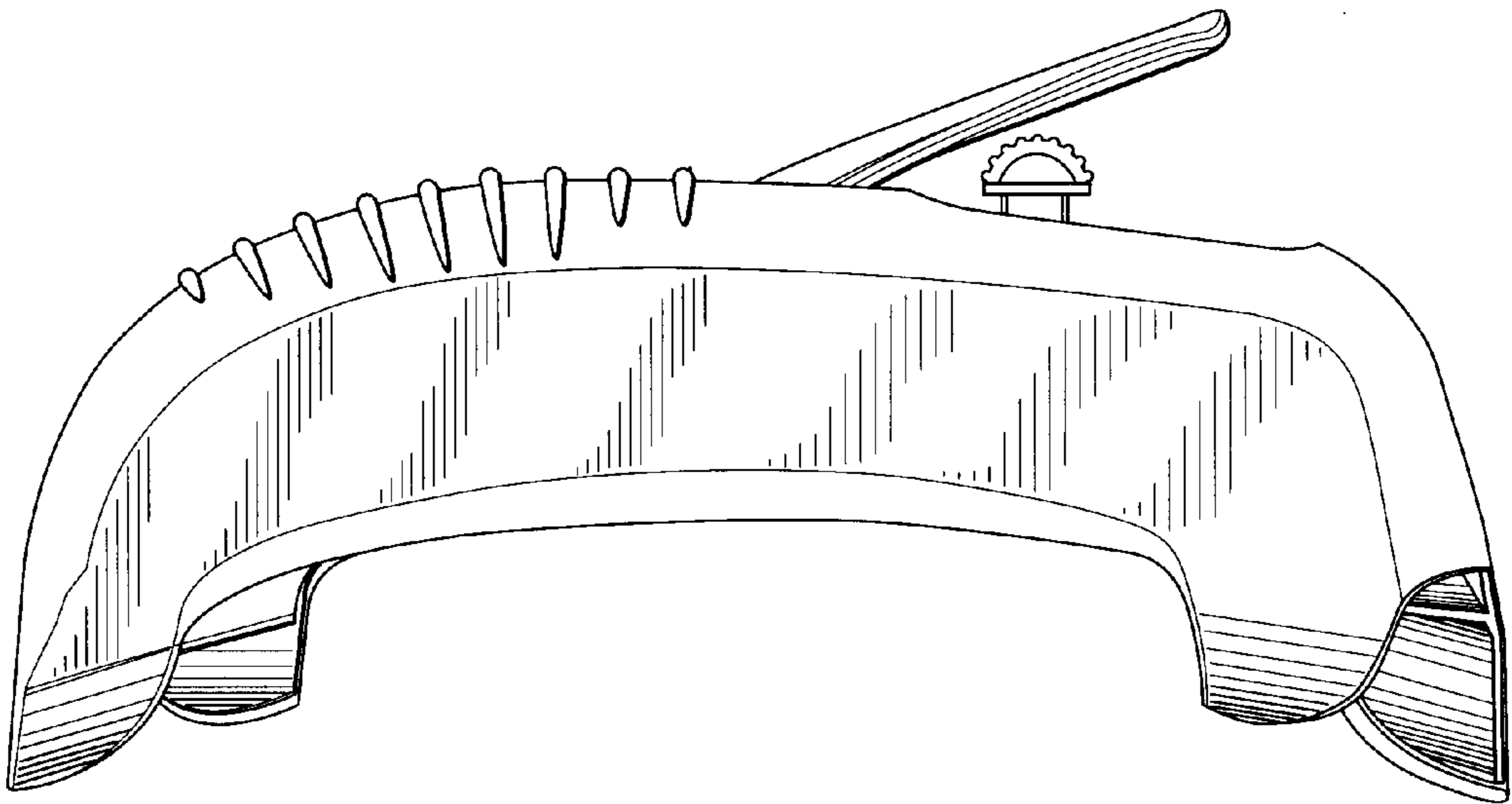


Fig. 3

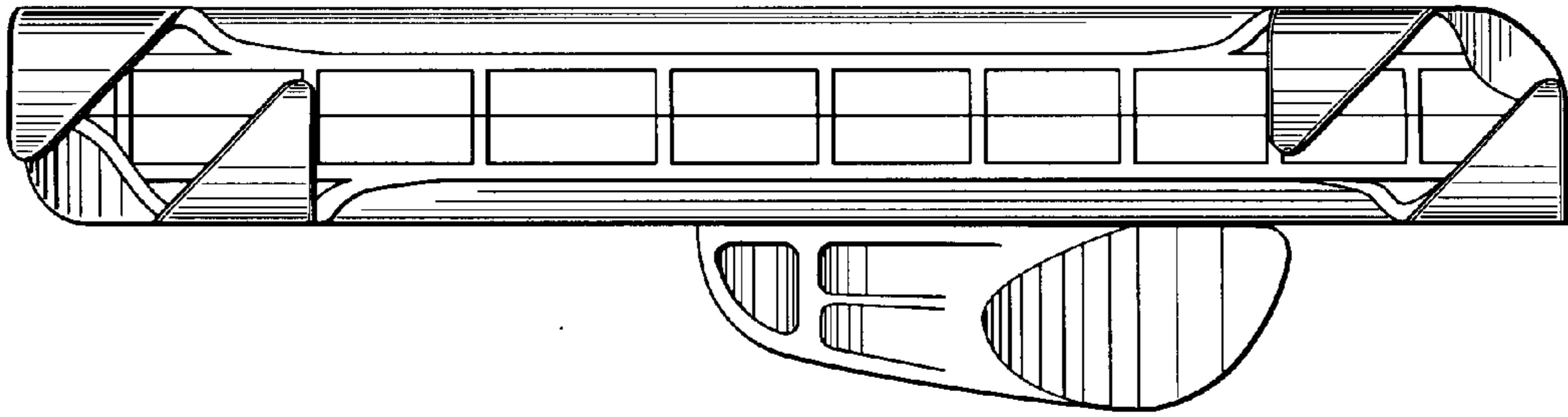


Fig. 4

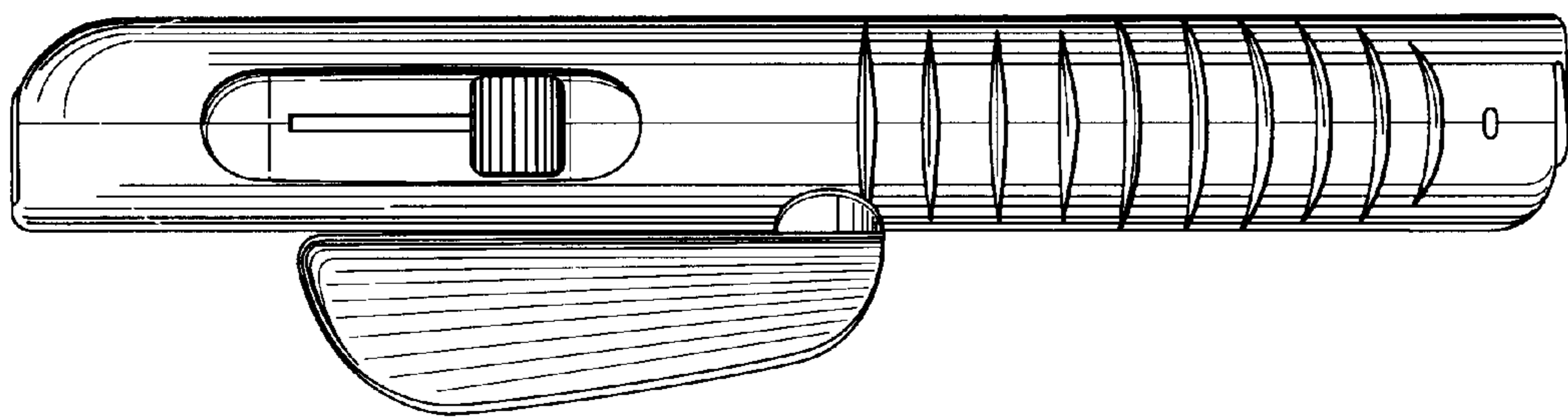


Fig. 5

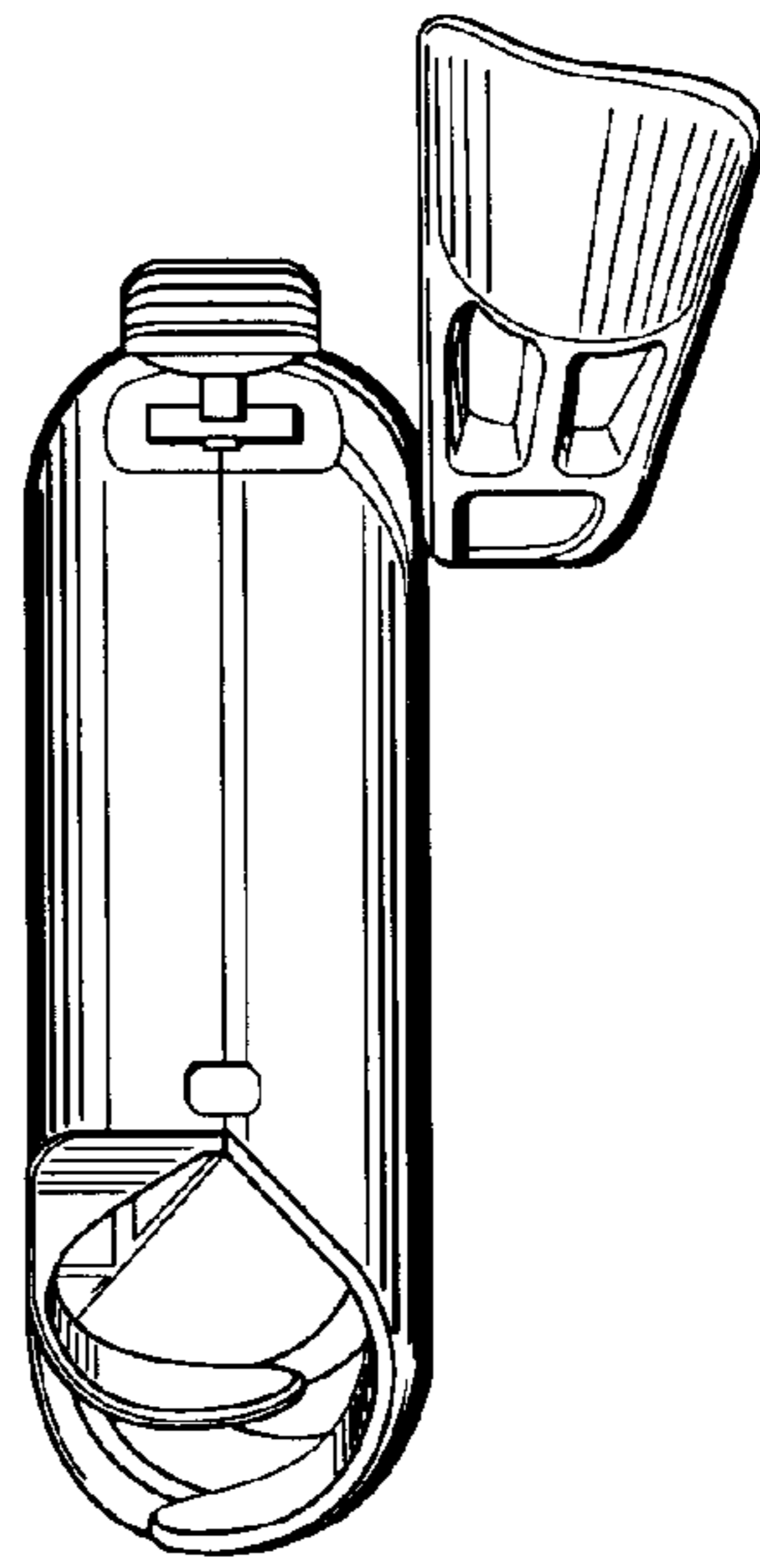


Fig. 6

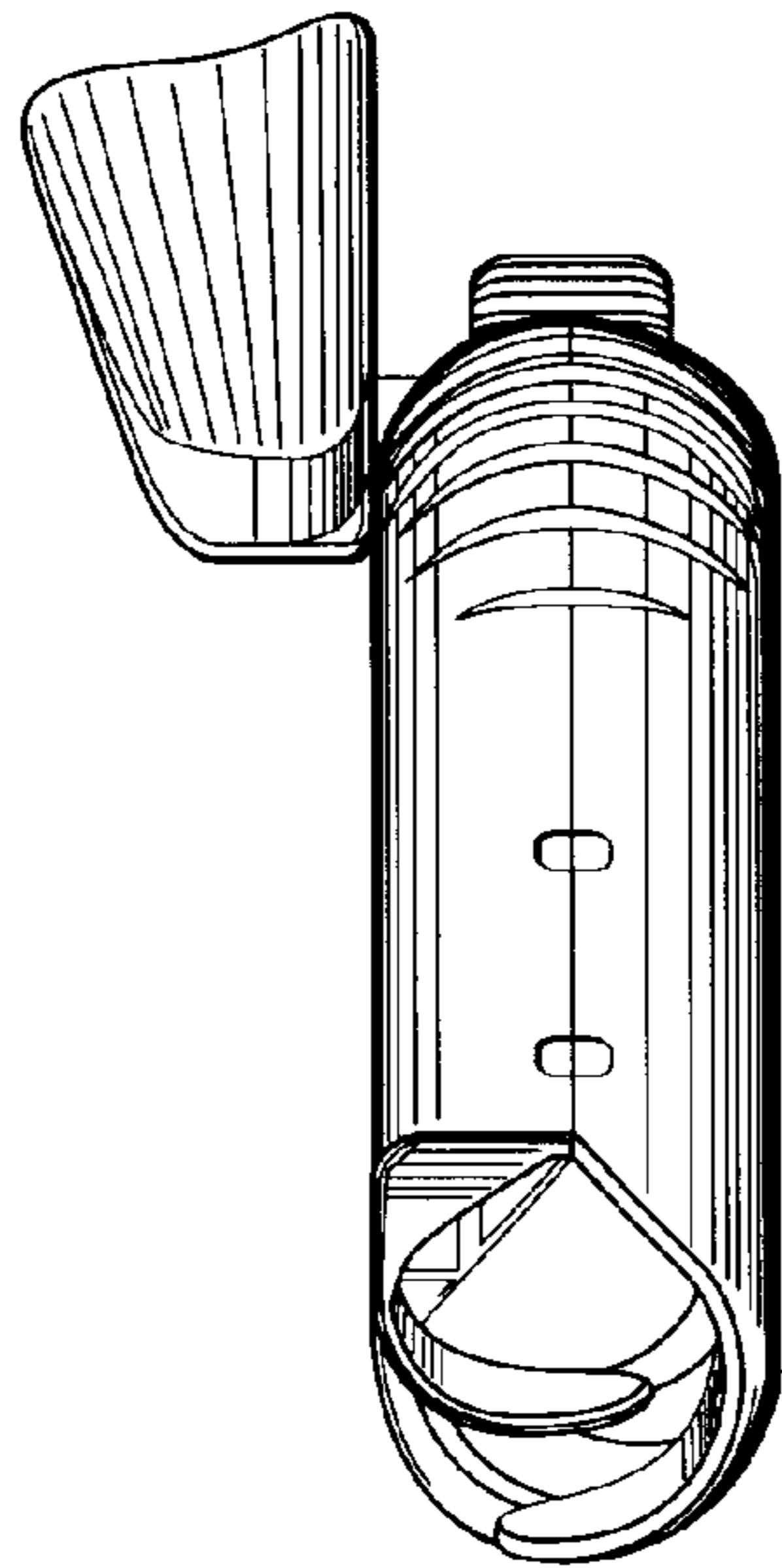


Fig. 7