



US00D480806S

(12) **United States Design Patent**
Engelbreth et al.

(10) **Patent No.:** **US D480,806 S**

(45) **Date of Patent:** **** Oct. 14, 2003**

(54) **AEROSOL MEDICATION DELIVERY
INHALER MOUTHPIECE**

(75) Inventors: **Dan Engelbreth**, London (CA); **Robert Morton**, London (CA); **Martin Foley**, London (CA)

(73) Assignee: **1263152 Ontario Inc.**, London (CA)

(**) Term: **14 Years**

(21) Appl. No.: **29/167,904**

(22) Filed: **Sep. 23, 2002**

Related U.S. Application Data

(62) Division of application No. 29/138,469, filed on Mar. 13, 2001, now Pat. No. Des. 463,544, which is a continuation of application No. 29/077,088, filed on Sep. 26, 1997, now abandoned.

(51) **LOC (7) Cl.** **29-02**

(52) **U.S. Cl.** **D24/110.5; D24/110; D24/110.4**

(58) **Field of Search** **D24/110.4, 110, D24/110.5, 164; 128/200.23, 200.22, 203.22, 203.24, 205.24, 200.14, 200.18**

(56) **References Cited**

U.S. PATENT DOCUMENTS

- D214,972 S * 8/1969 Katerndahl D24/110
- D276,654 S 12/1984 Snellman-Wasenius et al.
- D279,219 S * 6/1985 Hanlon D24/110
- 4,706,663 A * 11/1987 Makiej D24/110
- 4,852,561 A * 8/1989 Sperry 128/200.23
- 5,012,803 A 5/1991 Foley et al.
- 5,040,527 A 8/1991 Larson et al.
- 5,042,467 A 8/1991 Foley
- D326,517 S 5/1992 Funai et al.
- 5,477,849 A 12/1995 Fry
- 5,505,194 A 4/1996 Adjei et al.

- D373,630 S 9/1996 Berg et al.
- 5,799,651 A 9/1998 Garby et al.
- 5,816,240 A 10/1998 Komesaroff
- 5,855,202 A 1/1999 Andrade
- 6,230,704 B1 5/2001 Durkin et al.
- D463,544 S 9/2002 Engelbreth et al.

FOREIGN PATENT DOCUMENTS

- GB 2142246 A 1/1985
- GB 2195544 A 4/1988
- WO WO 92/20391 11/1992

OTHER PUBLICATIONS

Trudell Application—Ser. No. 29/153,777, Filing Date Jan. 14, 2002, Inventor Engelbreth et al.

* cited by examiner

Primary Examiner—Ian Simmons

(74) *Attorney, Agent, or Firm*—Brinks Hofer Gilson & Lione

(57) **CLAIM**

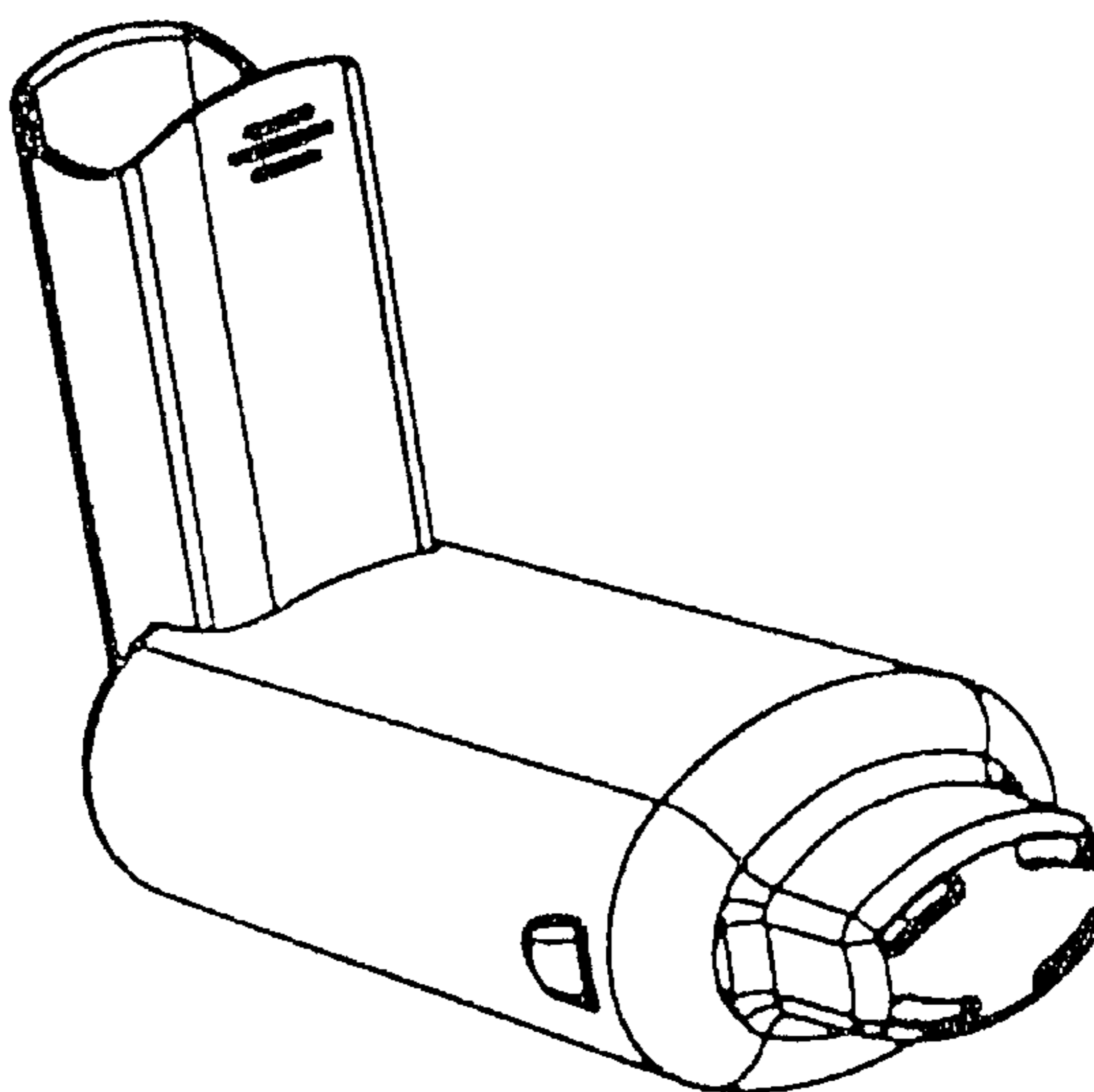
We claim the ornamental design for an aerosol medication delivery inhaler mouthpiece, as shown and described.

DESCRIPTION

FIG. 1 is a perspective view of an aerosol medication delivery inhaler mouthpiece showing our new design; FIG. 2 is a front view of the mouthpiece of FIG. 1; FIG. 3 is a top view of the mouthpiece of FIG. 1; FIG. 4 is a bottom view of the mouthpiece of FIG. 1; and, FIG. 5 is a right side view of the mouthpiece of FIG. 1 and which is a mirror image of the left side view of the mouthpiece of FIG. 1.

The broken lines in FIGS. 1–5 are for environmental purposes only and form no part of the claimed design.

1 Claim, 5 Drawing Sheets



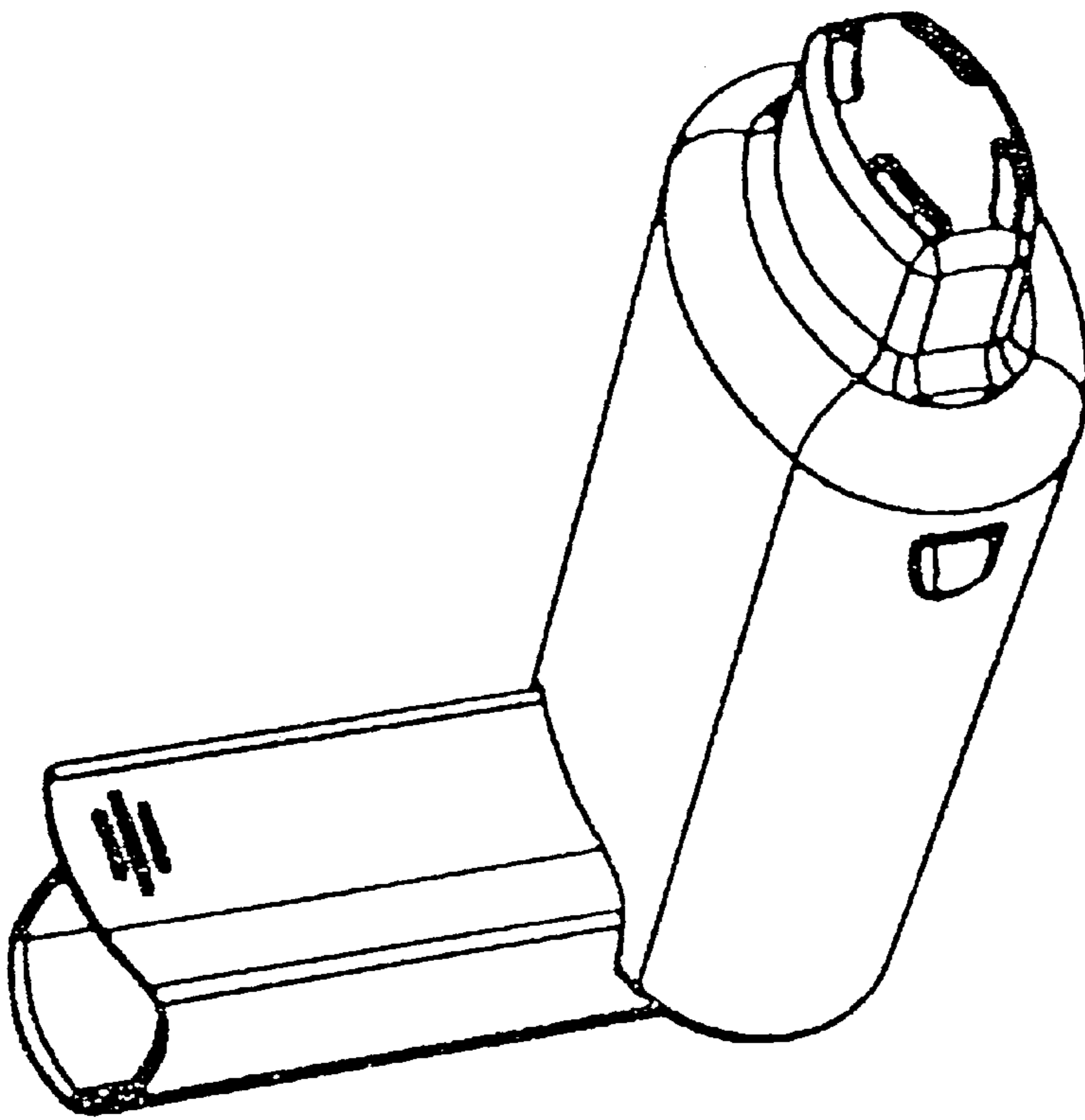


FIG. 1

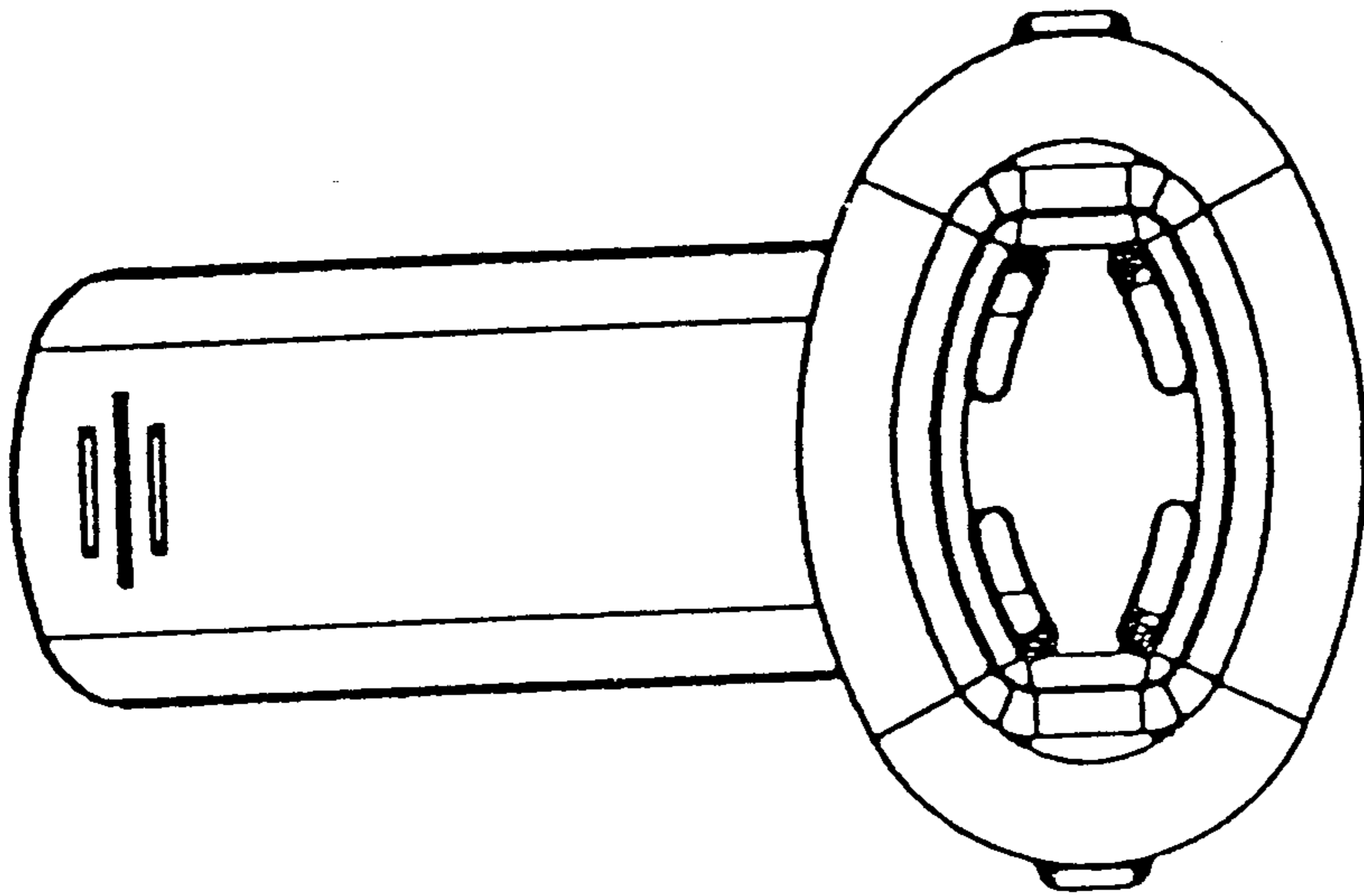


FIG. 2

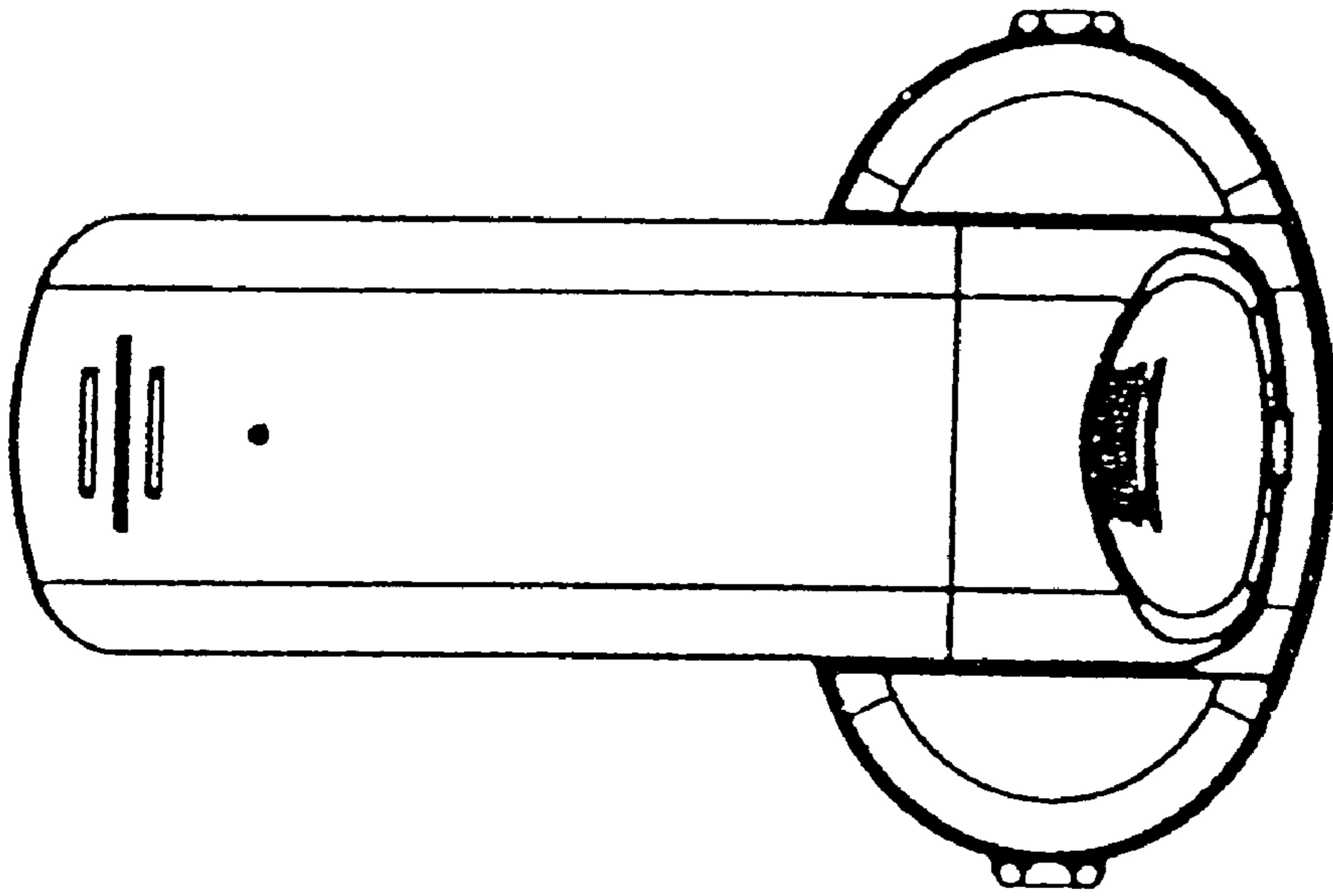


FIG. 3

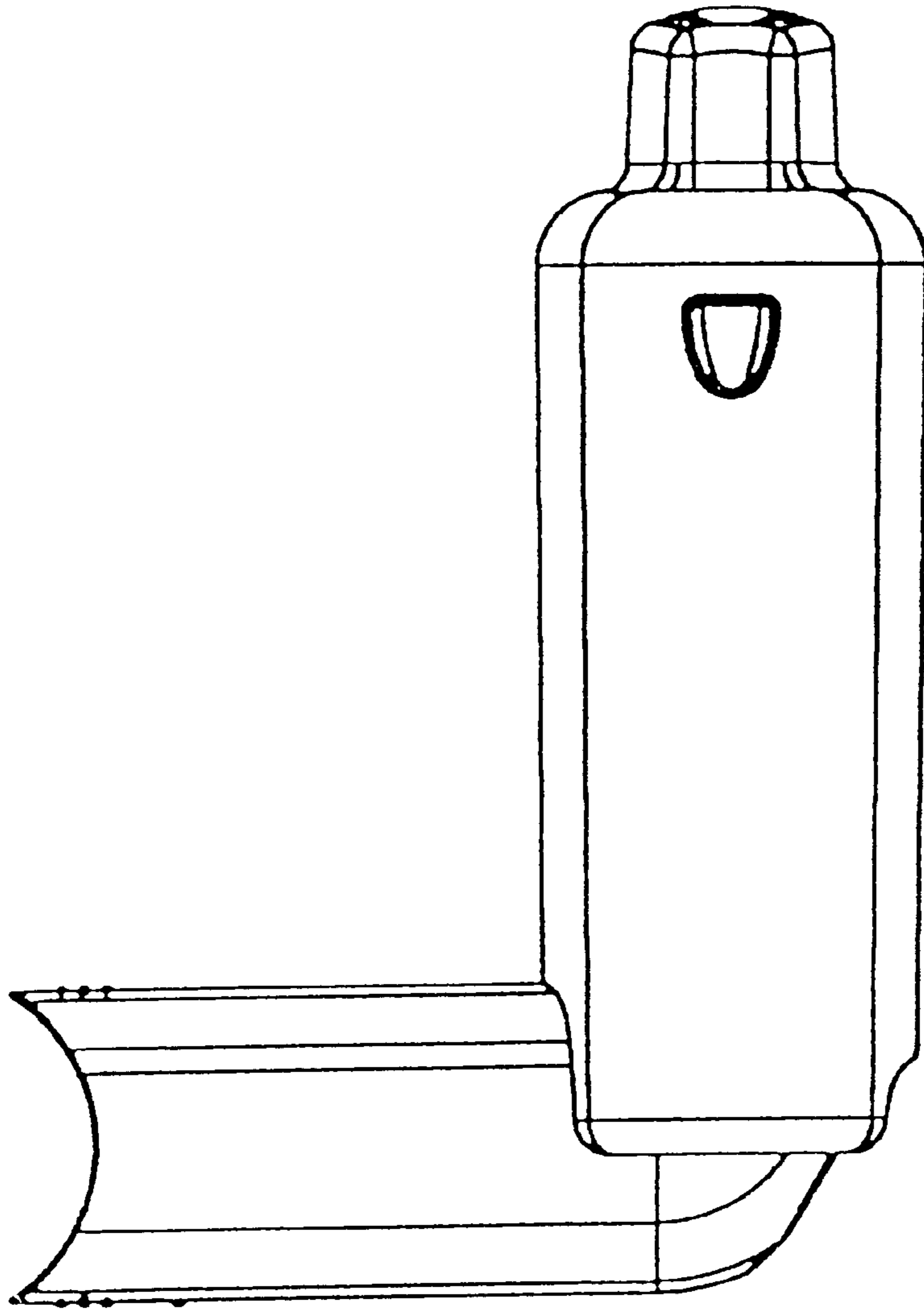


FIG. 4

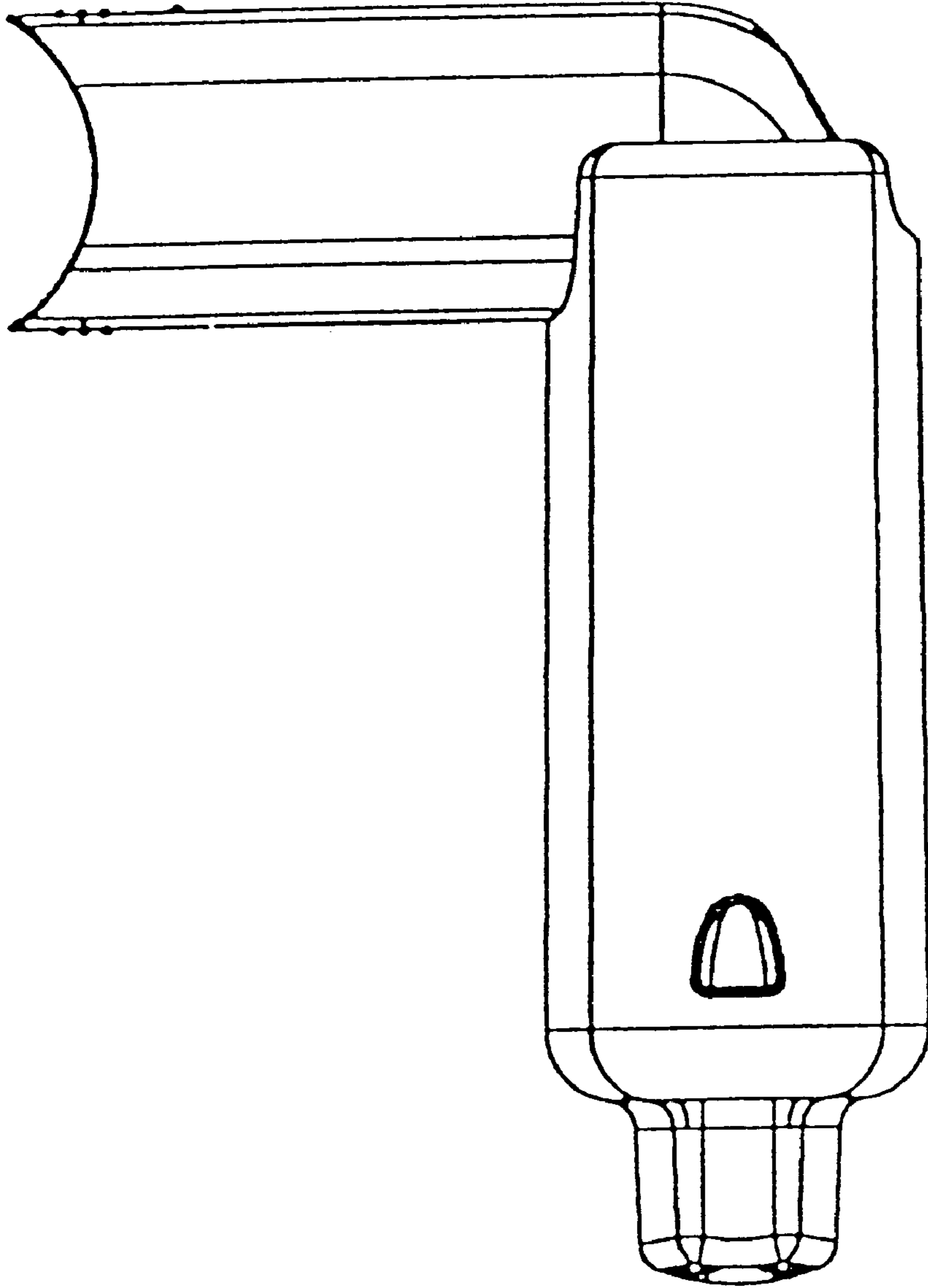


FIG. 5