



US00D480800S

(12) **United States Design Patent**
Stauffer

(10) **Patent No.:** **US D480,800 S**

(45) **Date of Patent:** **** Oct. 14, 2003**

(54) **CEILING FAN MOTOR HOUSING**

Primary Examiner—Lisa Lichtenstein
(74) *Attorney, Agent, or Firm*—Baker Donelson

(75) **Inventor:** **Michael J. Stauffer**, Memphis, TN
(US)

(57) **CLAIM**

(73) **Assignee:** **Hunter Fan Company**, Memphis, TN
(US)

The ornamental design for a ceiling fan motor housing, as shown and described.

(**) **Term:** **14 Years**

DESCRIPTION

(21) **Appl. No.:** **29/172,623**

FIG. 1 is a perspective view of a ceiling fan motor housing showing my new design.

(22) **Filed:** **Dec. 12, 2002**

(51) **LOC (7) Cl.** **23-04**

FIG. 2 is a front view thereof.

(52) **U.S. Cl.** **D23/411**

FIG. 3 is a right side view thereof.

(58) **Field of Search** D23/377, 379,
D23/385, 411; 416/5; 392/364, 96

FIG. 4 is a rear view thereof.

FIG. 5 is a left side view thereof.

(56) **References Cited**

FIG. 6 is a top view thereof; and,

U.S. PATENT DOCUMENTS

FIG. 7 is a bottom view thereof.

D410,100 S * 5/1999 Jaspers-Fayer D26/59

D417,494 S * 12/1999 Evans D23/377

D424,187 S * 5/2000 Lo D23/377

The broken line showing of environmental structure in FIGS. 1–5 and 7 is for illustrative purposes only and forms no part of the claimed design.

OTHER PUBLICATIONS

Casablanca Fan Company 2002 Product Catalog (Bella p. 31, Bel Air Halo p. 39, The Estrada p. 49).

* cited by examiner

1 Claim, 4 Drawing Sheets

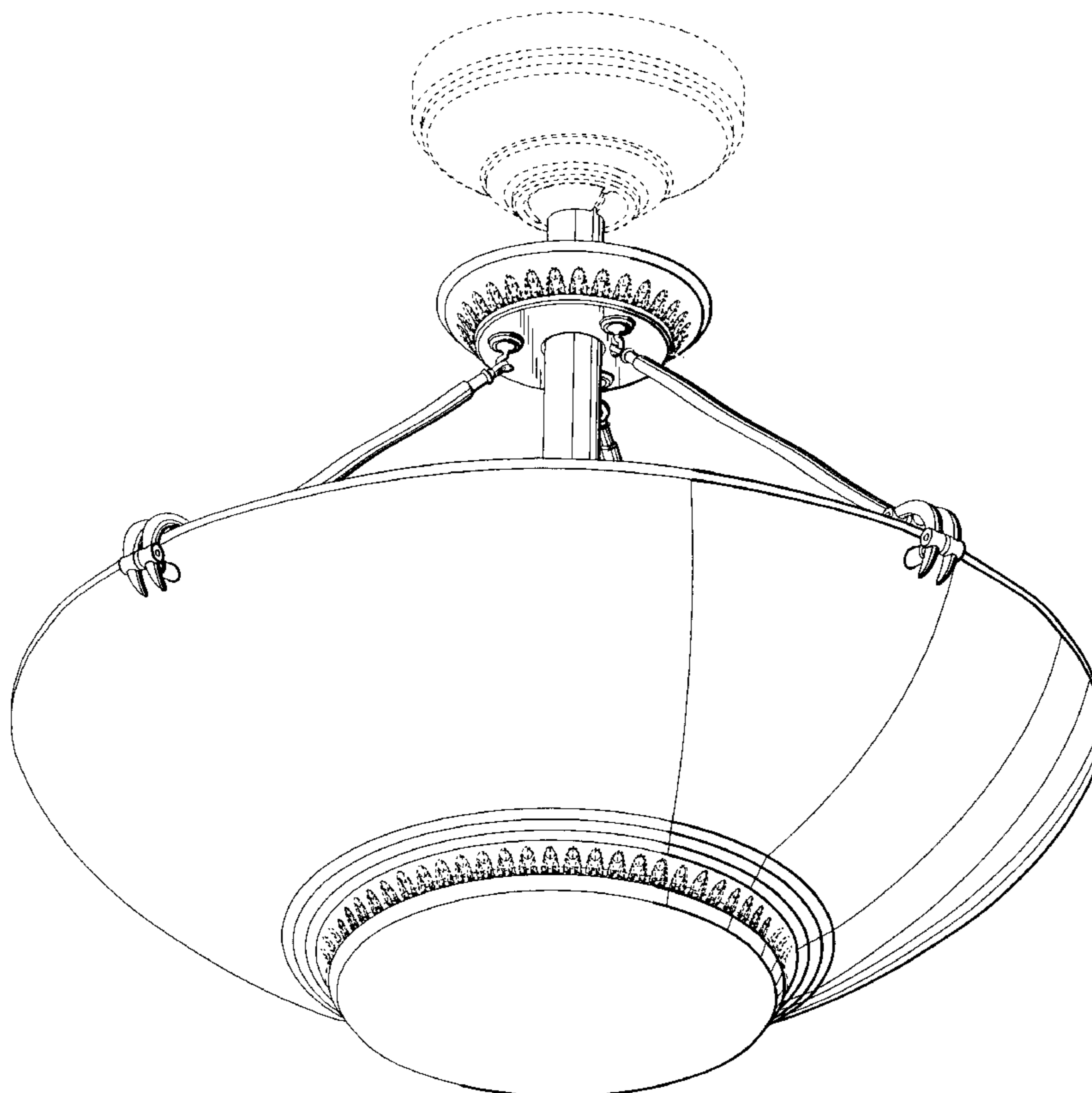


Fig. 1

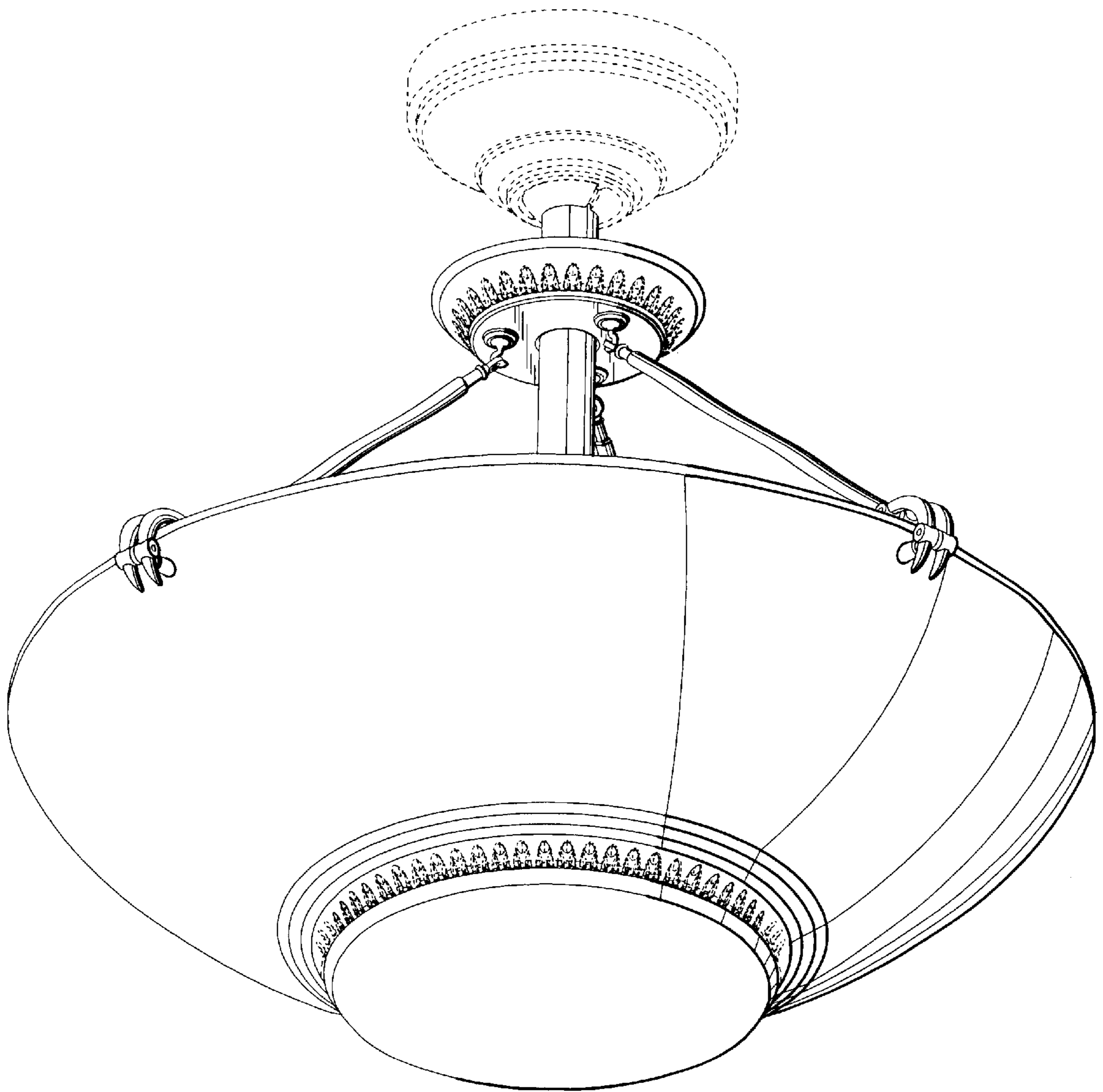


Fig. 2

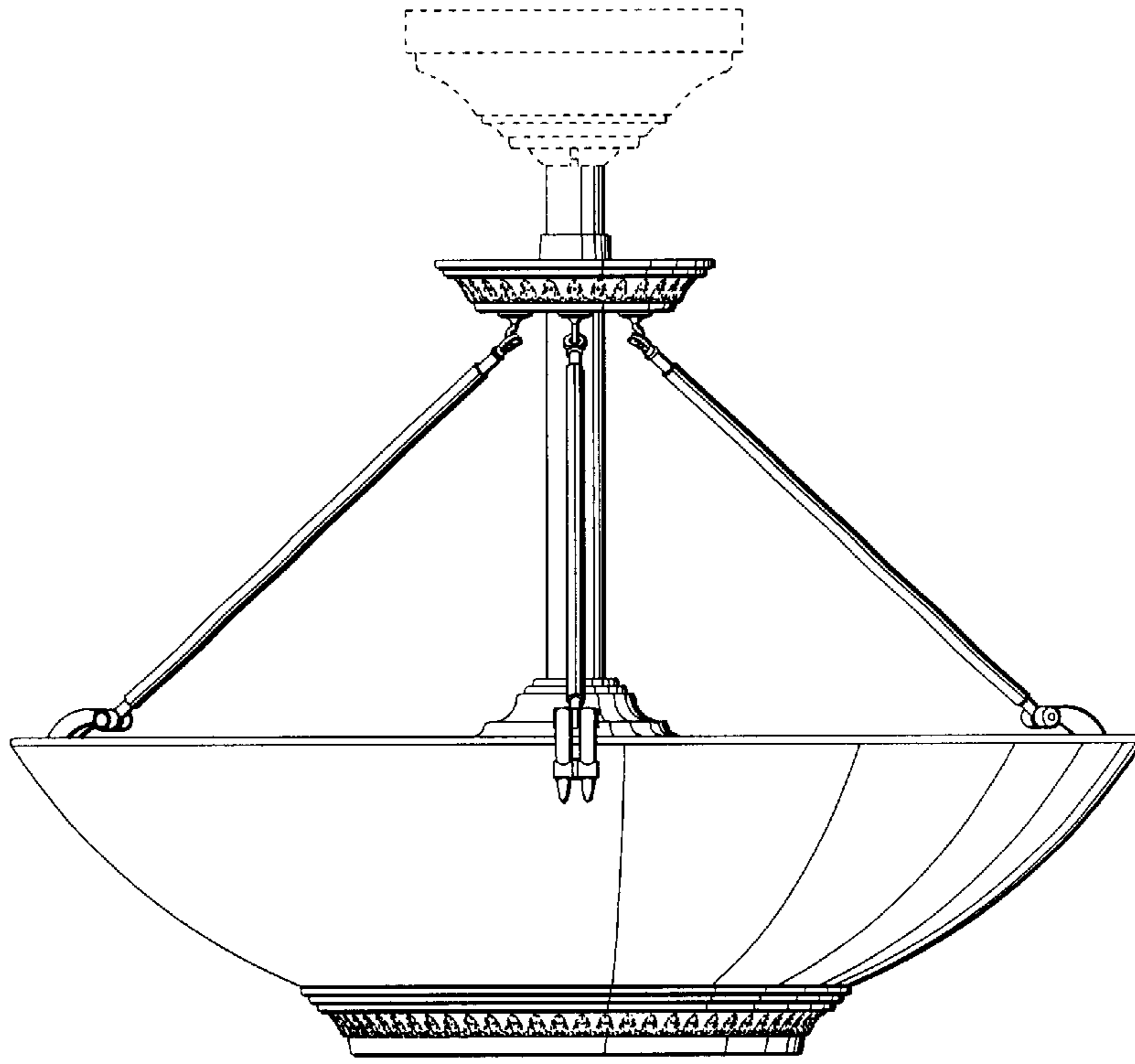


Fig. 3

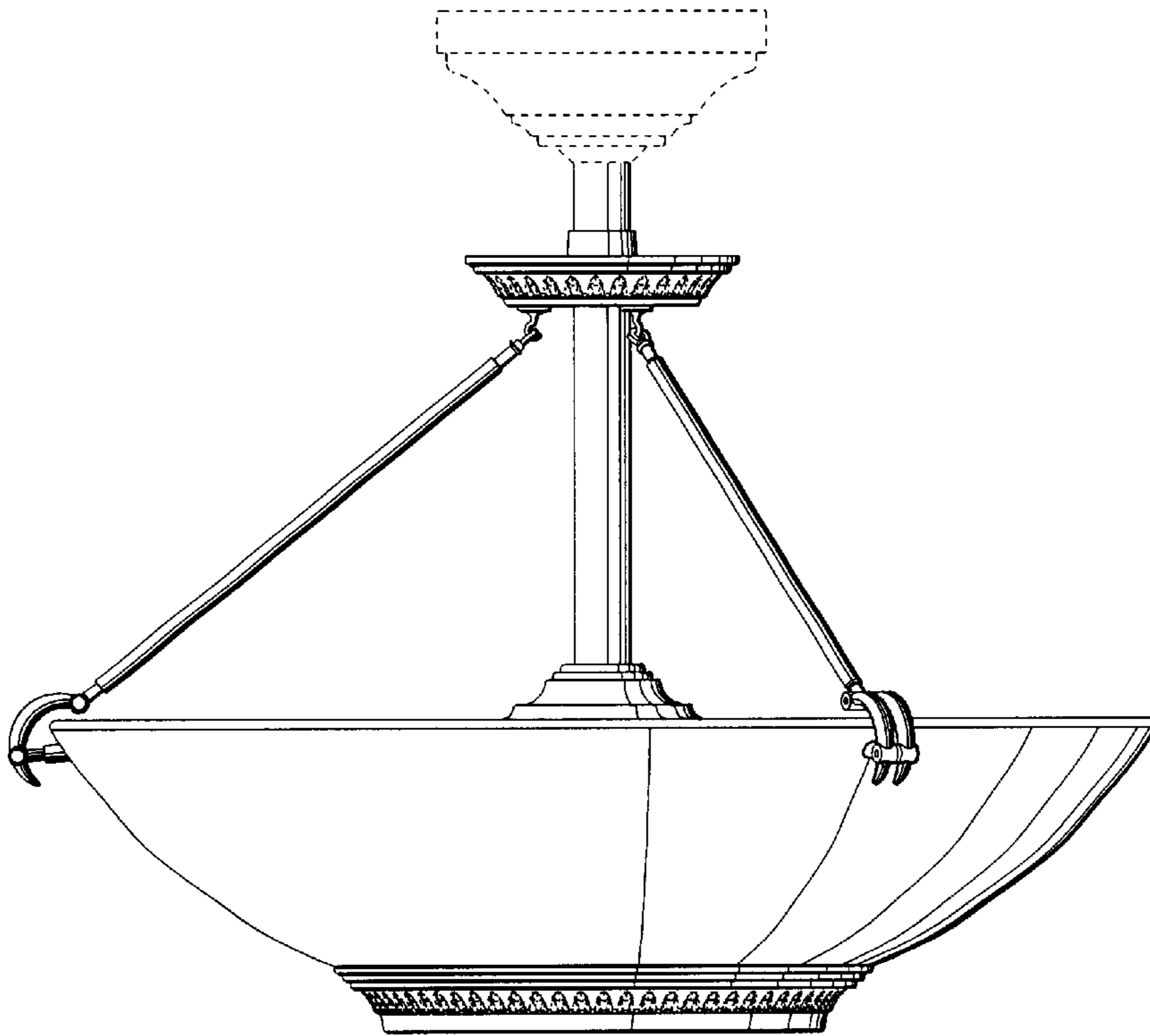


Fig. 4

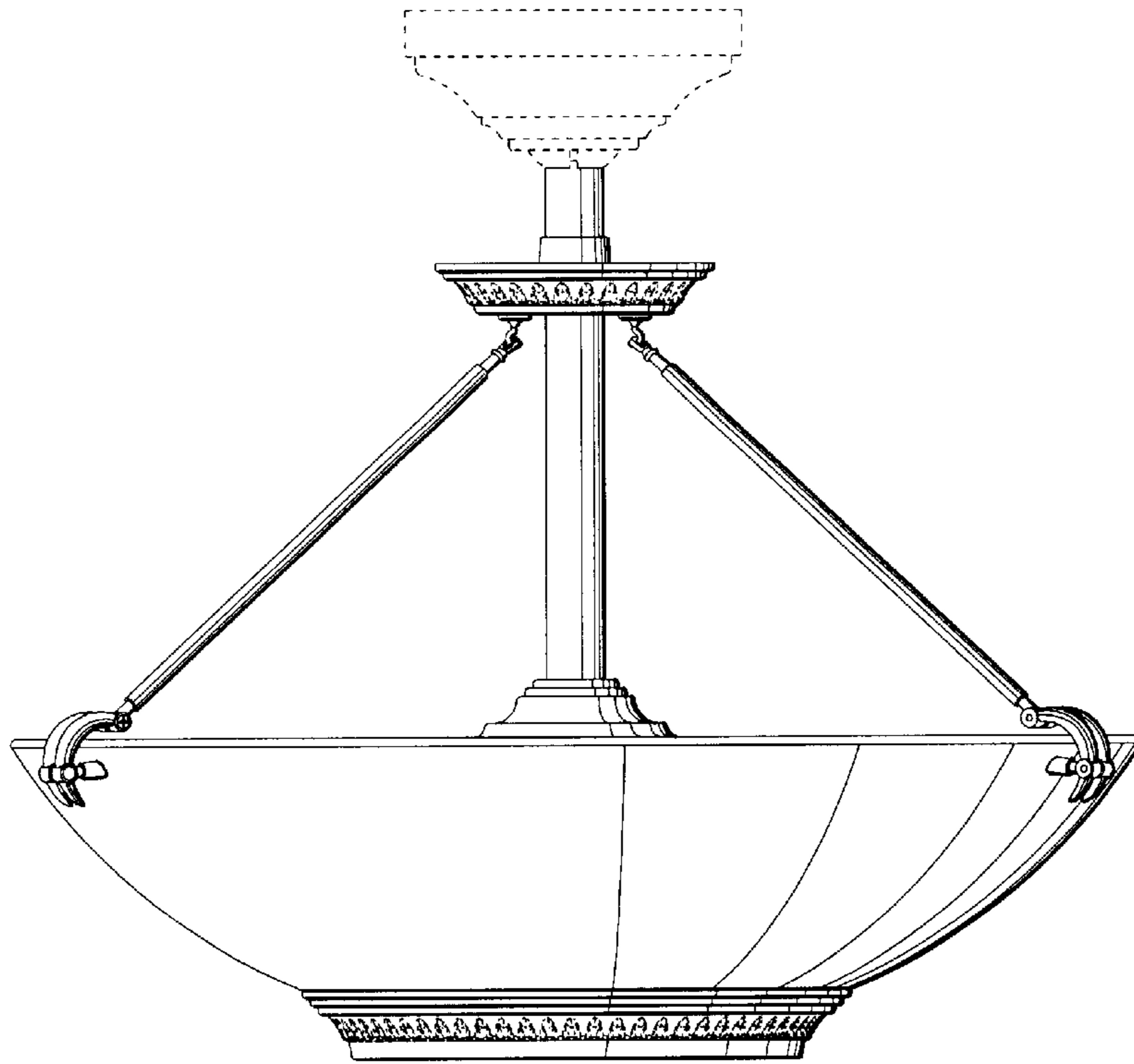


Fig. 5

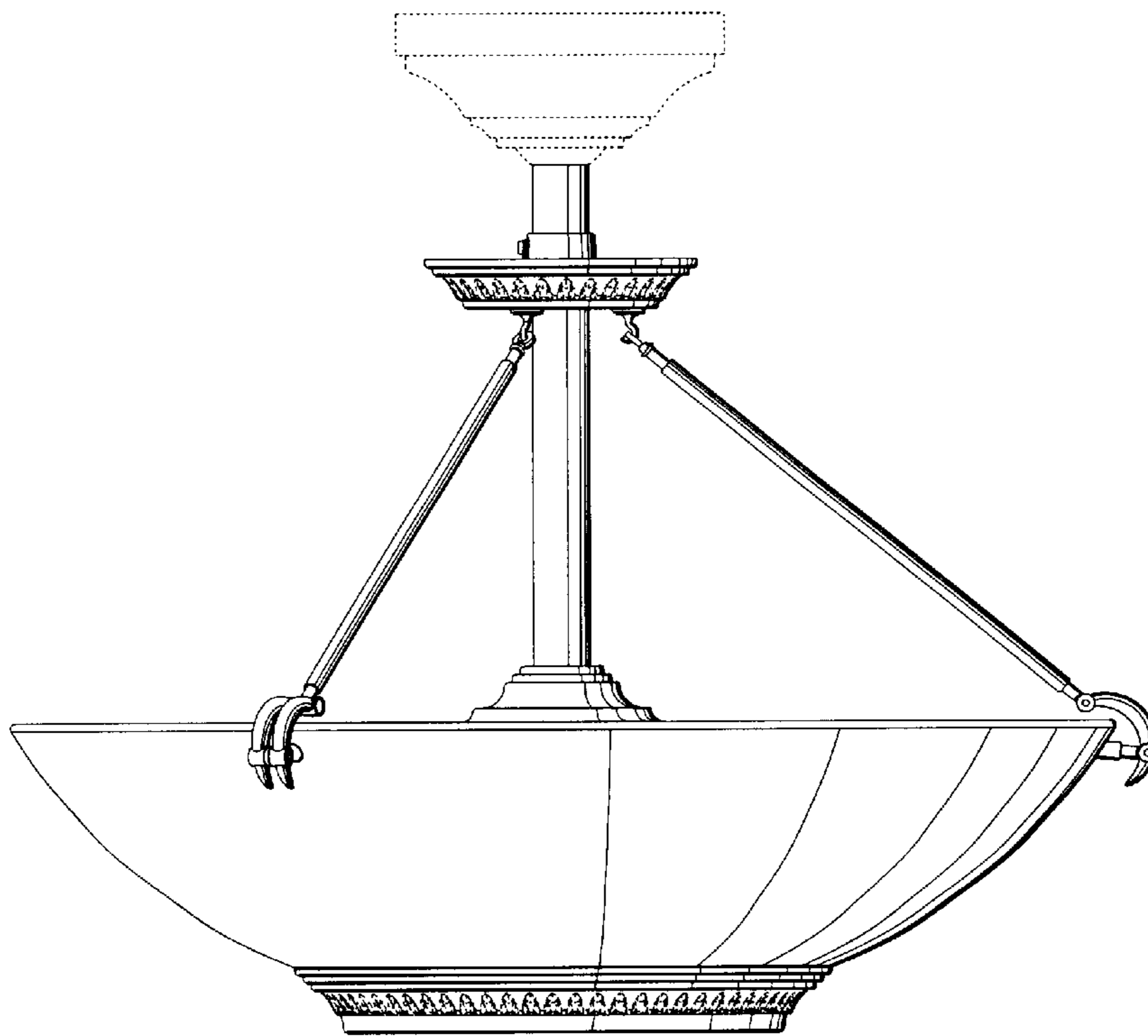


Fig. 7

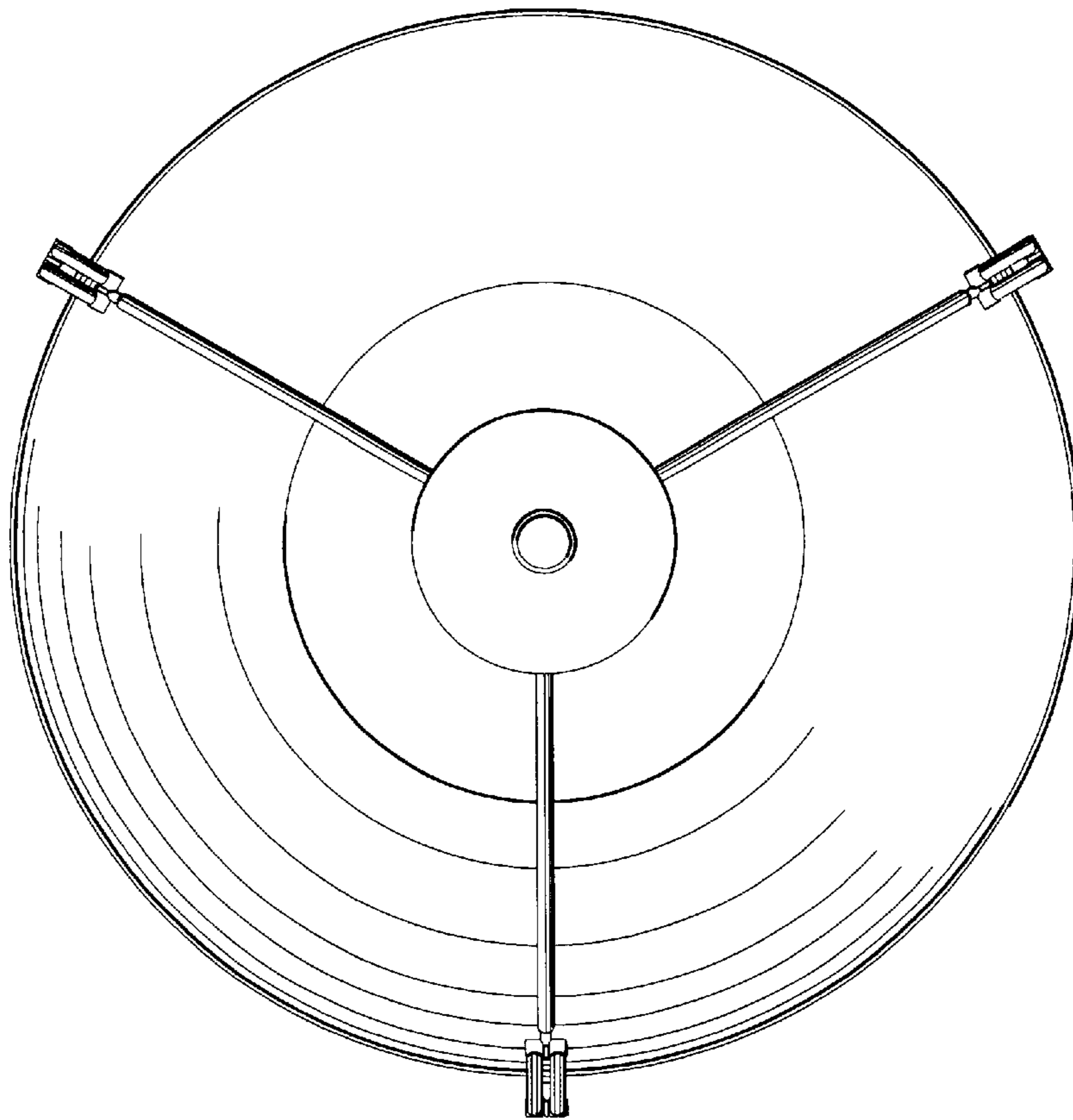


Fig. 6

