



US00D480797S

(12) **United States Design Patent**  
**Young**

(10) **Patent No.:** **US D480,797 S**

(45) **Date of Patent:** **\*\* Oct. 14, 2003**

(54) **CEILING FAN BLADE IRON**

(75) Inventor: **Stanfield Young**, Cypress, CA (US)

(73) Assignee: **Minka Lighting, Inc.**, Corona, CA (US)

(\*\*) Term: **14 Years**

(21) Appl. No.: **29/165,155**

(22) Filed: **Aug. 5, 2002**

(51) **LOC (7) Cl.** ..... **23-04**

(52) **U.S. Cl.** ..... **D23/411**

(58) **Field of Search** ..... D23/411, 377,  
D23/379, 385; 416/5, 210 R; 392/364

(56) **References Cited**

**U.S. PATENT DOCUMENTS**

D402,026 S \* 12/1998 Chuang et al. .... D23/377  
D454,630 S \* 3/2002 Hidalgo ..... D23/377

**OTHER PUBLICATIONS**

Minka Lighting, Inc.; MinkaAire Two Thousand Two; Apr. 22, 2002; p. 30; Minka Lighting, Inc.; U.S.A.

\* cited by examiner

*Primary Examiner*—Lisa Lichtenstein

(74) *Attorney, Agent, or Firm*—Jenkins & Gilchrist, P.C.

(57) **CLAIM**

The ornamental design for a ceiling fan blade iron, as shown and described.

**DESCRIPTION**

FIG. 1 is a perspective view from below of the ceiling fan blade iron in accordance with my design.

FIG. 2 is a left side elevation view of the ceiling fan blade iron in accordance with my design;

FIG. 3 is a front elevation view of the ceiling fan blade iron in accordance with my design;

FIG. 4 is a right side elevation view of the ceiling fan blade iron in accordance with my design;

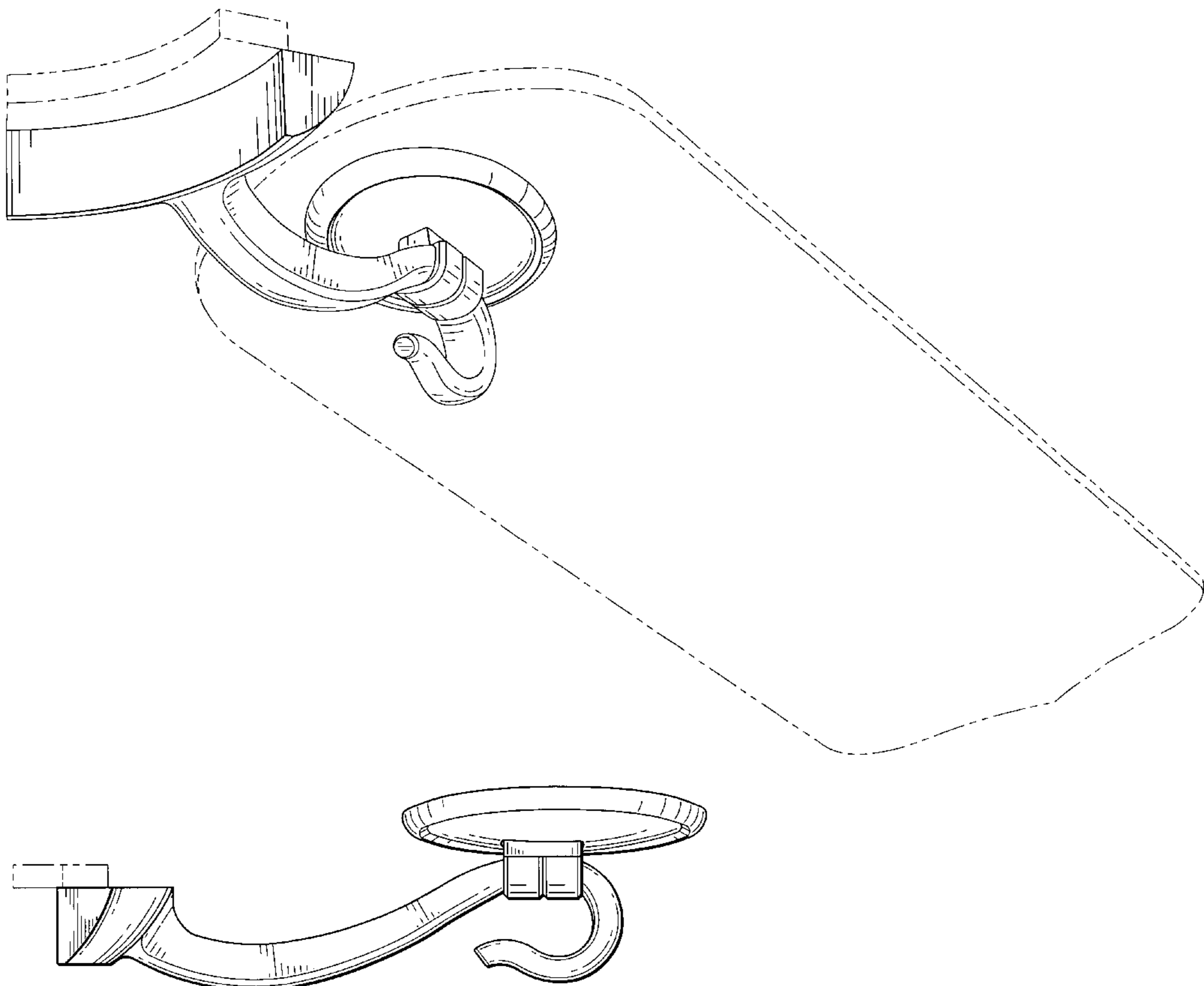
FIG. 5 is a rear elevation view of the ceiling fan blade iron in accordance with my design;

FIG. 6 is a bottom plan view of the ceiling fan blade iron in accordance with my design; and,

FIG. 7 is a top plan view of the ceiling fan blade iron. The top surface of the ceiling fan blade iron that attaches to the ceiling fan blade is flat and unadorned and no claim thereto is made.

The broken line showing of environmental structure in FIGS. 1–7 is for illustrative purposes only and forms no part of the claimed design.

**1 Claim, 3 Drawing Sheets**



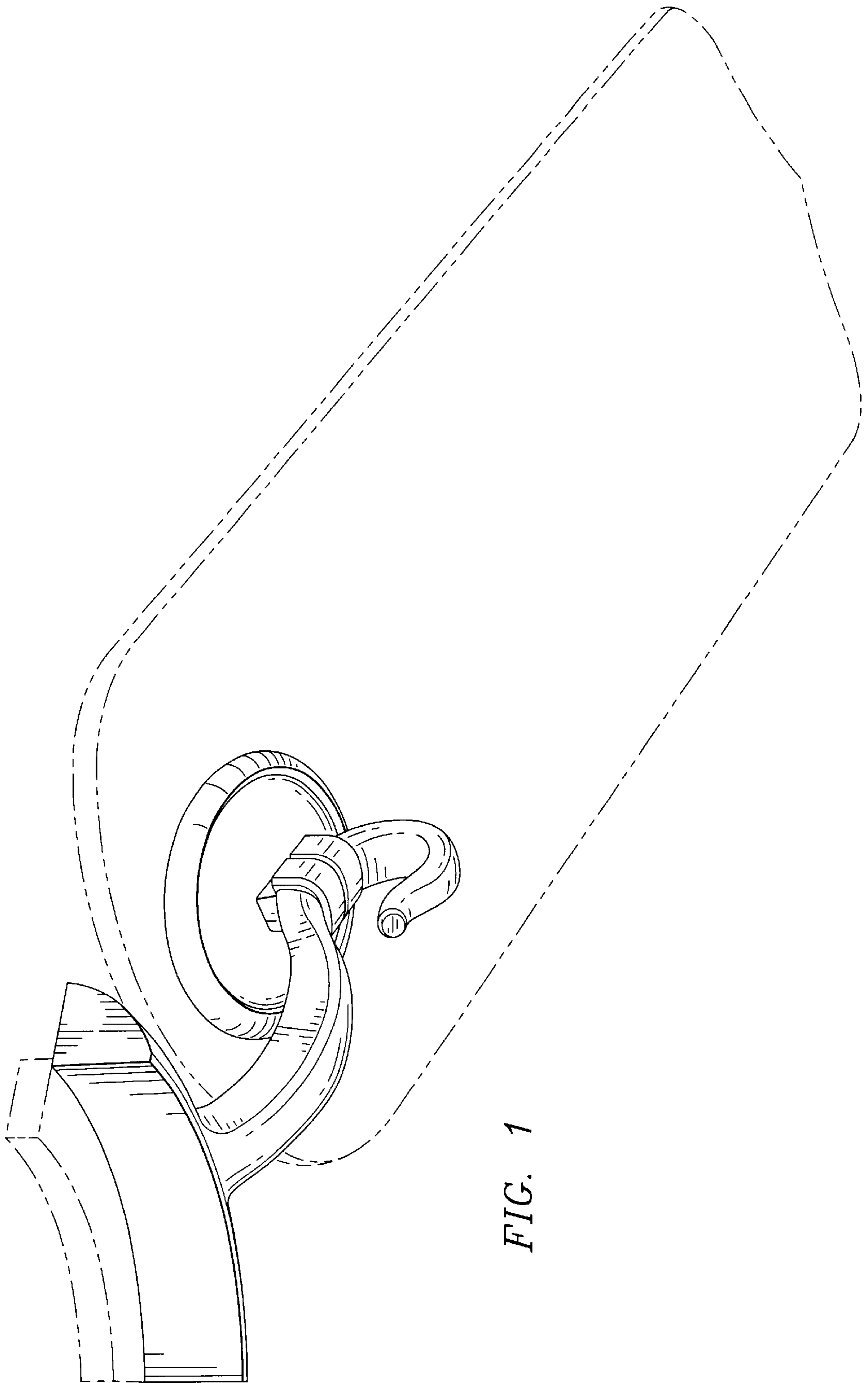


FIG. 1

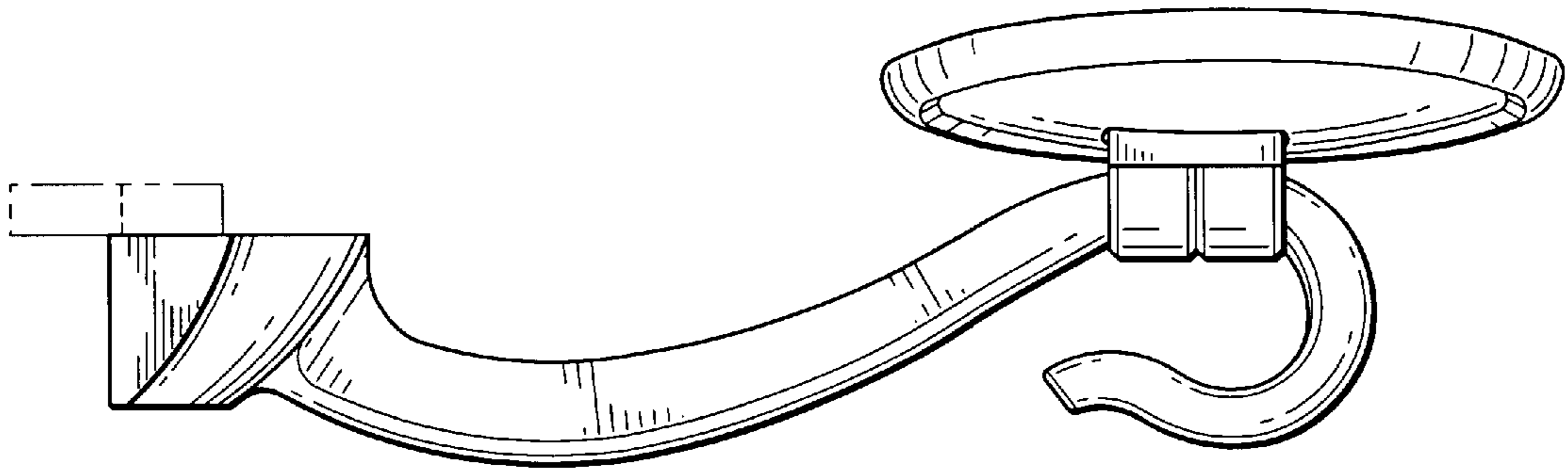


FIG. 2

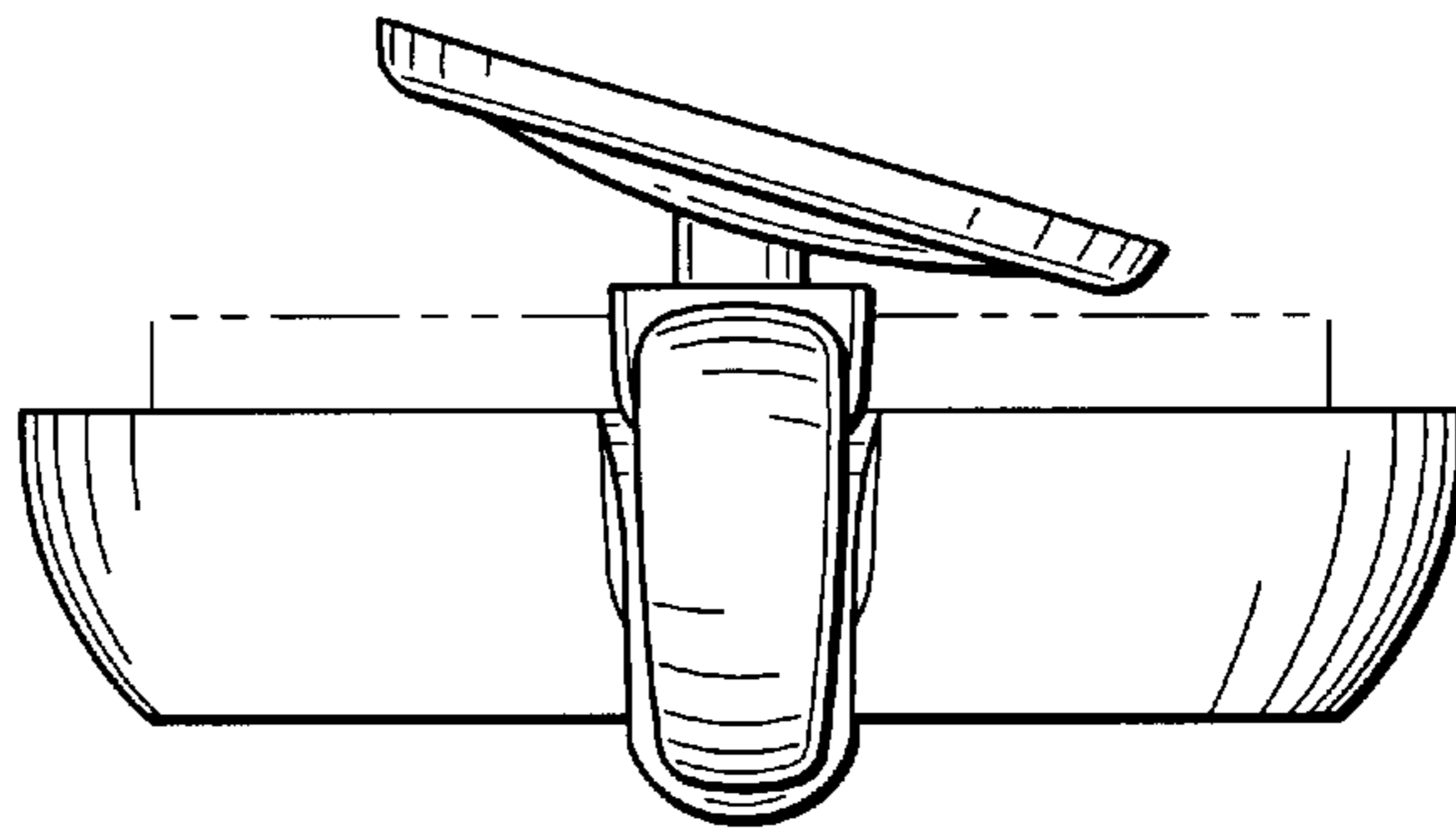


FIG. 3

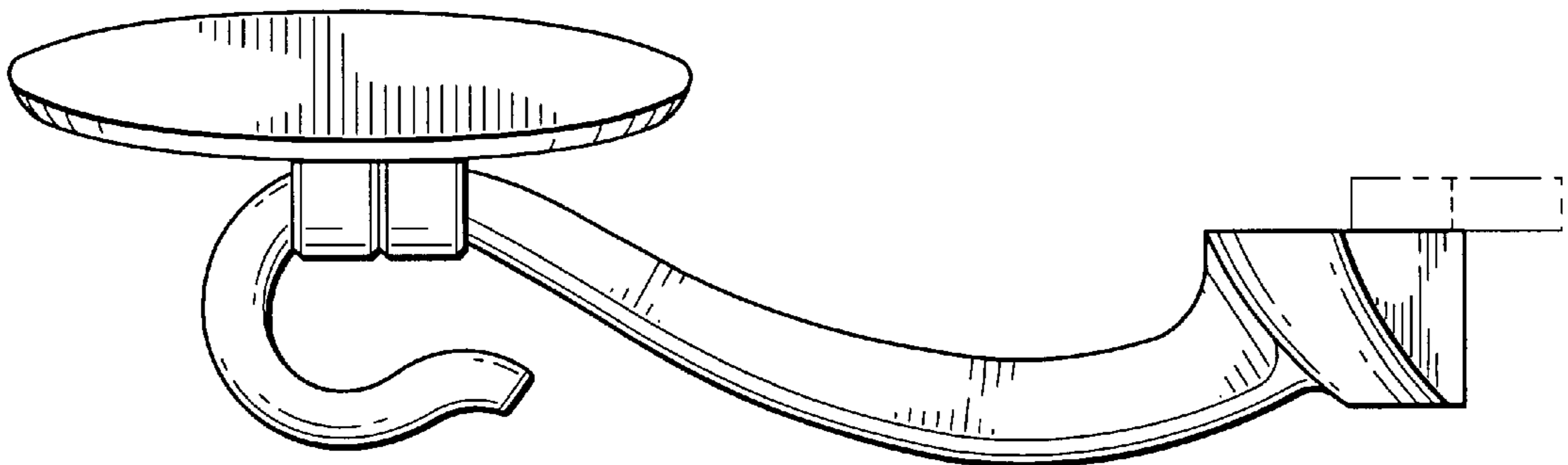


FIG. 4

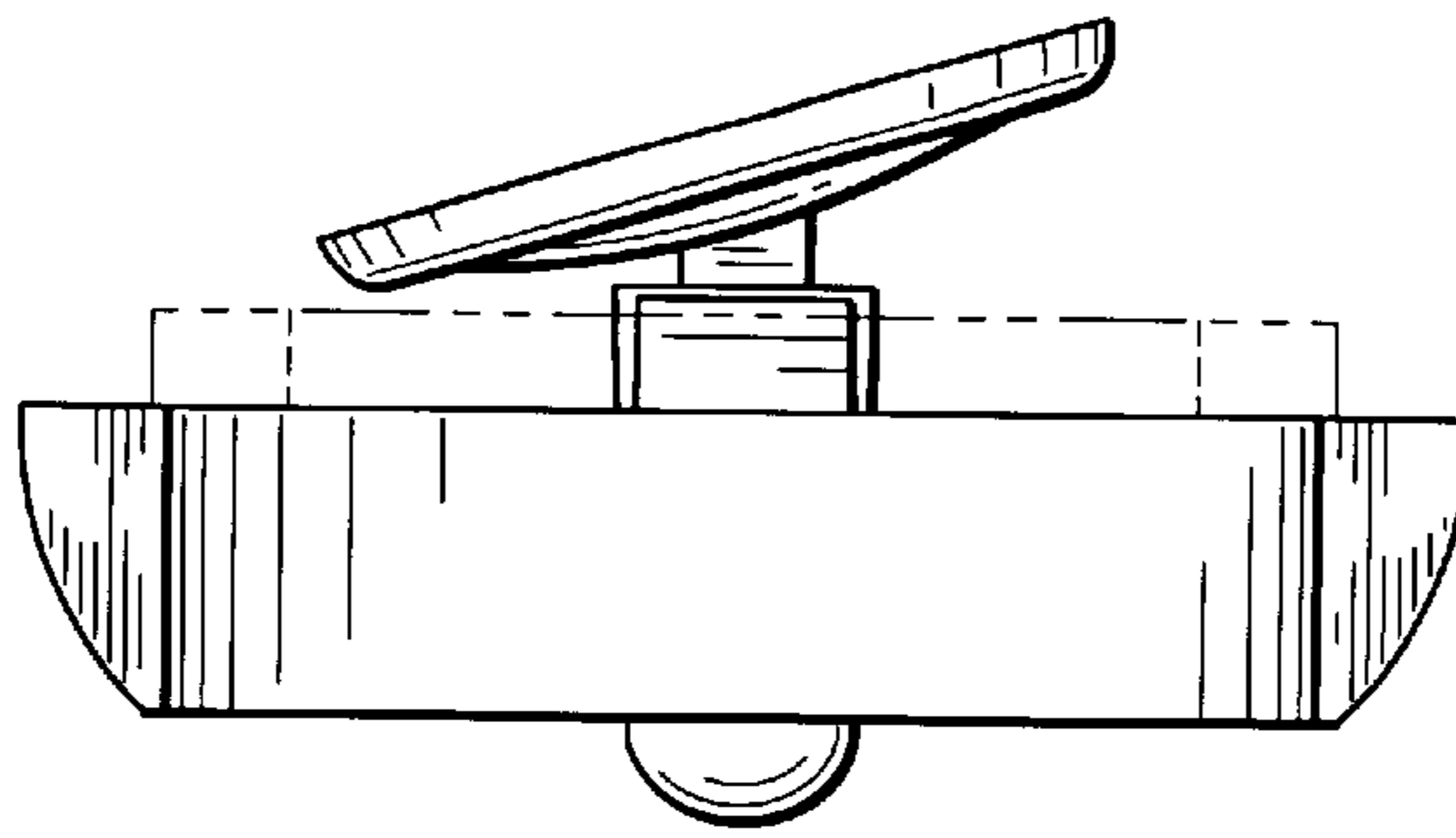


FIG. 5

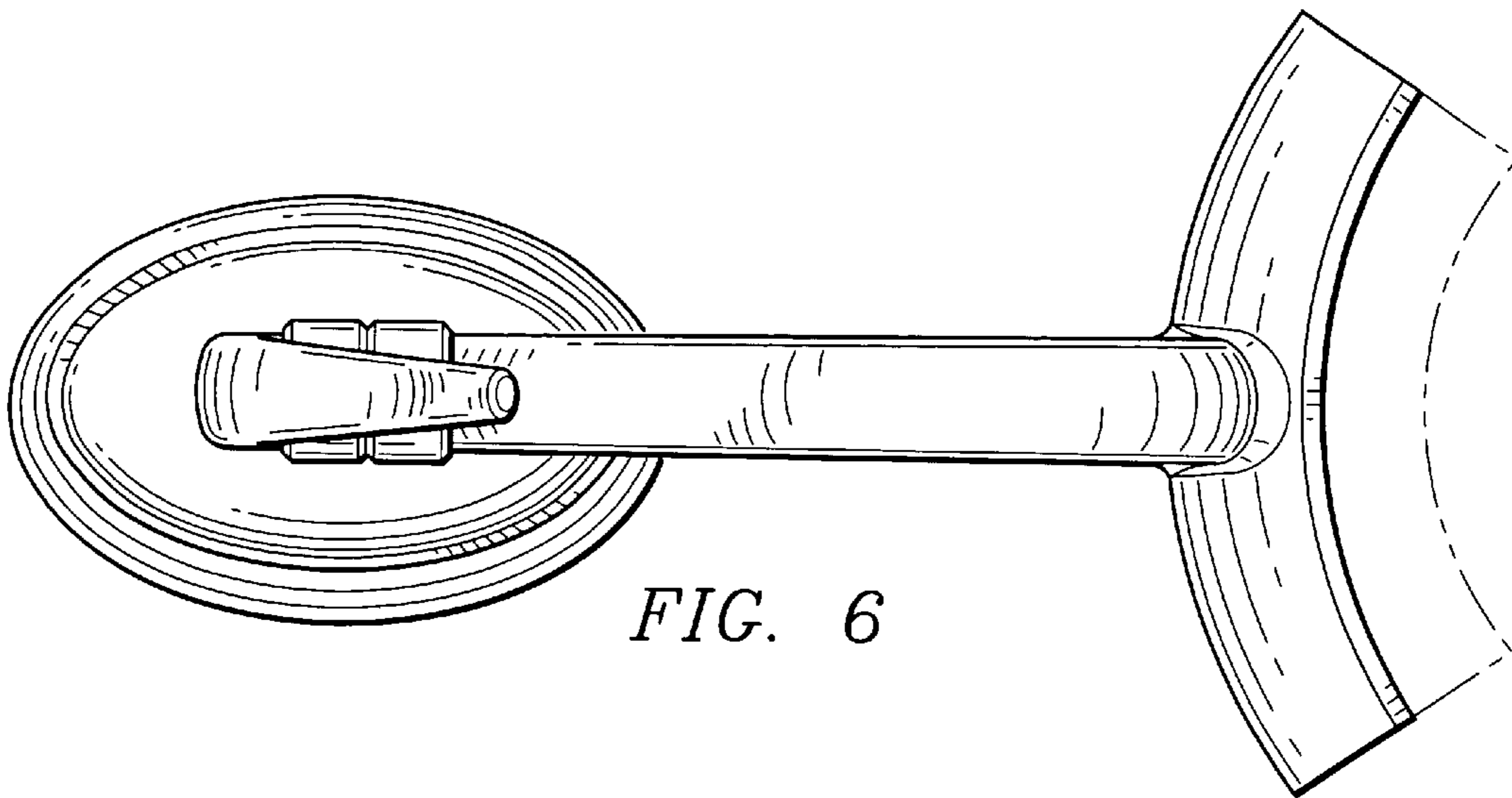


FIG. 6

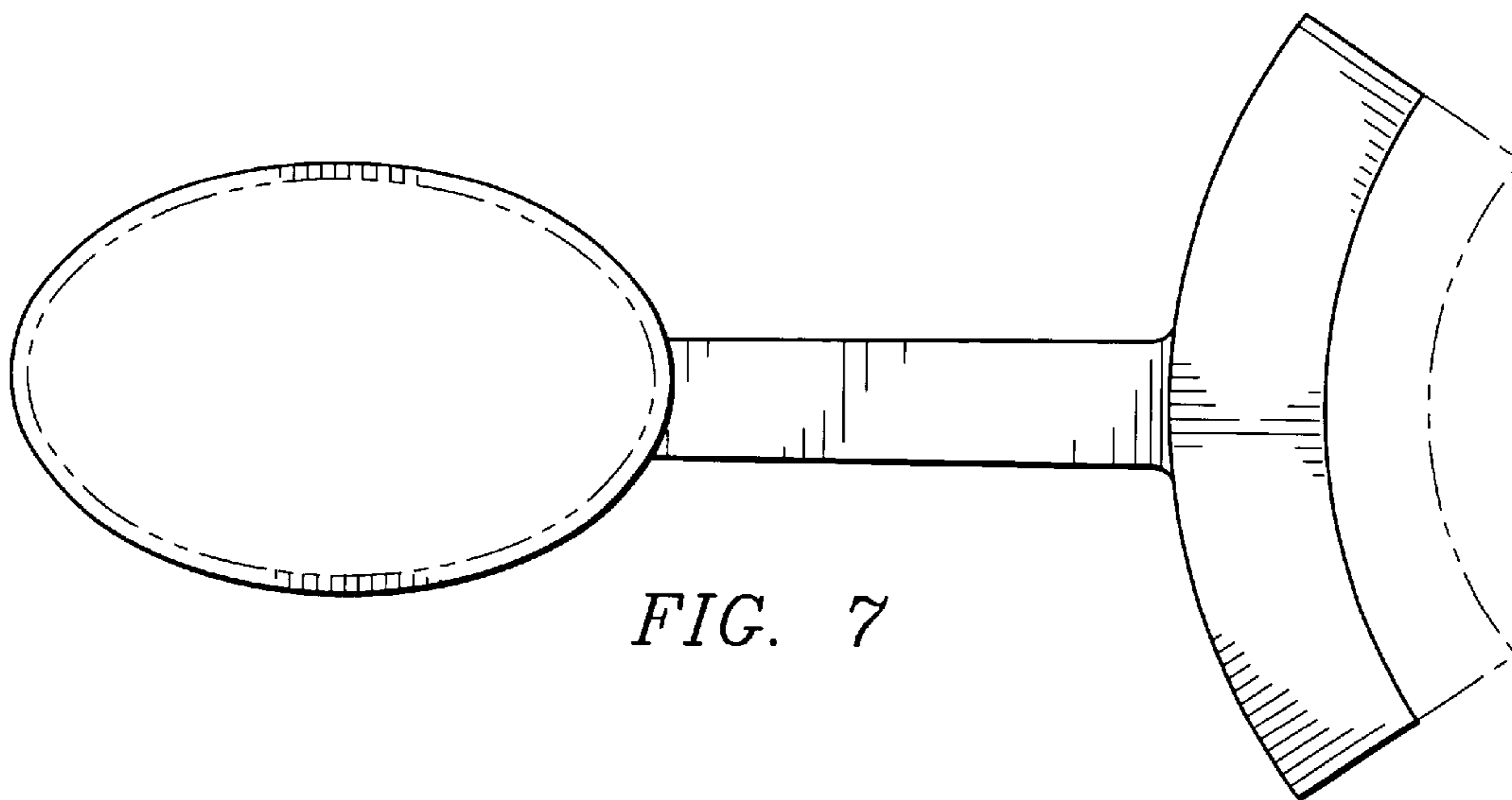


FIG. 7